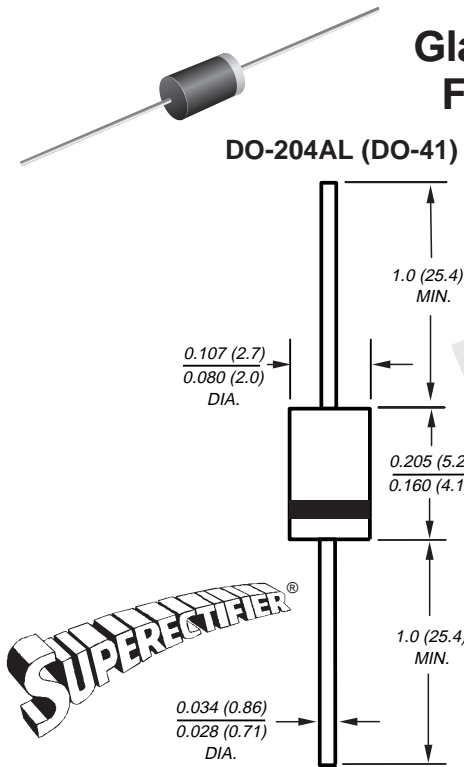




**Glass Passivated Junction  
Fast Switching Rectifier**

**Reverse Voltage** 400 to 1000 V  
**Forward Current** 1.0 A



**NOTE:** Lead diameter is  $\frac{0.026 (0.66)}{0.023 (0.58)}$  for suffix "E" part numbers

Dimensions in inches and (millimeters)

\*Glass-plastic encapsulation technique is covered by

Patent No. 3,996,602, and brazed-lead assembly by Patent No. 3,930,306

**Features**

- Plastic package has Underwriters Laboratories Flammability Classification 94V-0
- High temperature metallurgically bonded construction
- For use in high frequency rectifier circuits
- Fast switching for high efficiency
- Cavity-free glass passivated junction
- Capable of meeting environmental standards of MIL-S-19500
- 1.0 Ampere operation at  $T_A=55^\circ\text{C}$  with no thermal runaway
- Typical  $I_R$  less than  $0.1\mu\text{A}$
- High temperature soldering guaranteed:  $350^\circ\text{C}/10$  seconds,  $0.375"$  (9.5mm) lead length, 5 lbs. (2.3kg) tension

**Mechanical Data**

**Case:** JEDEC DO-204AL, molded plastic over glass body

**Terminals:** Plated axial leads, solderable per MIL-STD-750, Method 2026

**Polarity:** Color band denotes cathode end

**Mounting Position:** Any

**Weight:** 0.012 ounce, 0.3 gram

**Maximum Ratings & Thermal Characteristics** Ratings at  $25^\circ\text{C}$  ambient temperature unless otherwise specified.

Parameter	Symbols	BA157GP	BA158GP	BA159DGP	BA159GP	Units
Maximum repetitive peak reverse voltage	$V_{RRM}$	400	600	800	1000	V
Maximum RMS voltage	$V_{RMS}$	280	420	560	700	V
Maximum DC blocking voltage	$V_{DC}$	400	600	800	1000	V
Maximum average forward rectified current $0.375"$ (9.5mm) lead length at $T_A=55^\circ\text{C}$	$I_{F(AV)}$	1.0				A
Peak forward surge current 10ms single half sine-wave superimposed on rated load at $T_A=25^\circ\text{C}$	$I_{FSM}$	20				A
Typical thermal resistance (NOTE 1)	$R_{\theta JA}$	55				$^\circ\text{C}/\text{W}$
Operating junction and storage temperature range	$T_J, T_{STG}$	- 65 to +175				$^\circ\text{C}$

**Electrical Characteristics** Ratings at  $25^\circ\text{C}$  ambient temperature unless otherwise specified.

Parameter	Symbols	BA157GP	BA158GP	BA159DGP	BA159GP	Units
Maximum instantaneous forward voltage at 1.0A	$V_F$	1.3				V
Maximum DC reverse current at rated DC blocking voltage $T_A=25^\circ\text{C}$	$I_R$	5.0				$\mu\text{A}$
Maximum reverse recovery time at $I_F=0.5\text{A}, I_R=1.0\text{A}, I_{rr}=0.25\text{A}$	$t_{rr}$	150	250	500	500	ns
Typical junction capacitance at 4.0V, 1MHz	$C_J$	15				pF

**Notes:**

(1) Thermal resistance from junction to ambient at  $0.375"$  (9.5mm) lead length, P.C.B. mounted

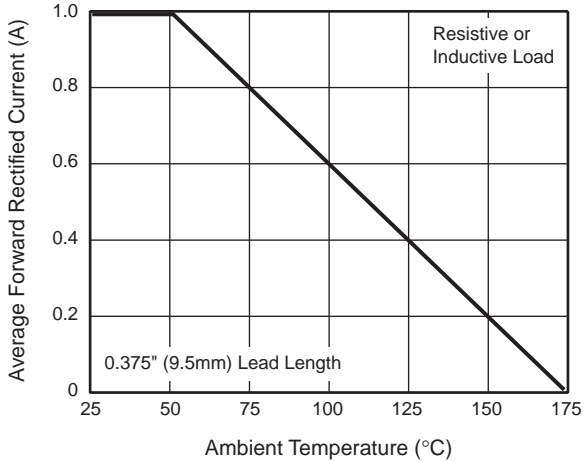
# BA157GP thru BA159GP



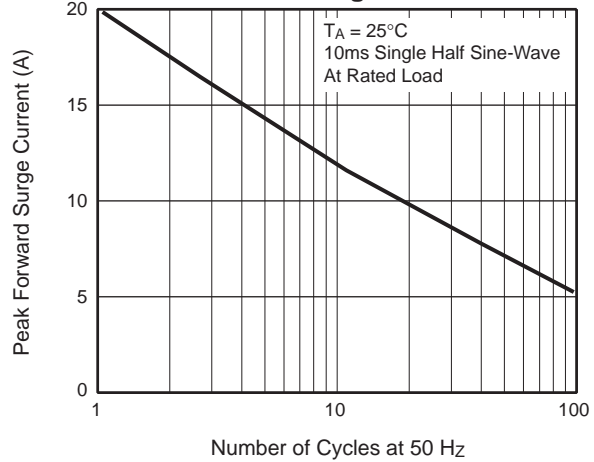
Vishay Semiconductors  
formerly General Semiconductor

## Ratings and Characteristic Curves ( $T_A = 25^\circ\text{C}$ unless otherwise noted)

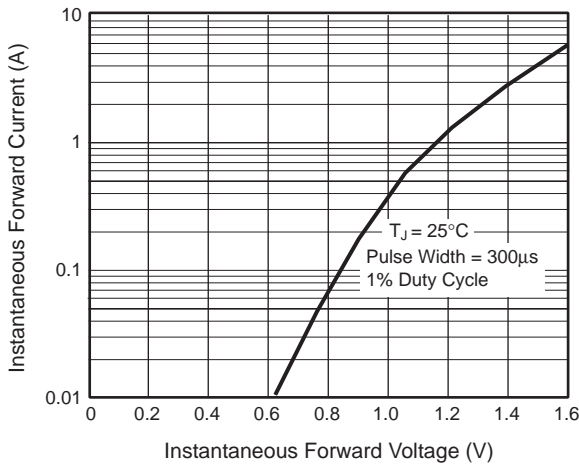
**Fig. 1 – Forward Current Derating Curve**



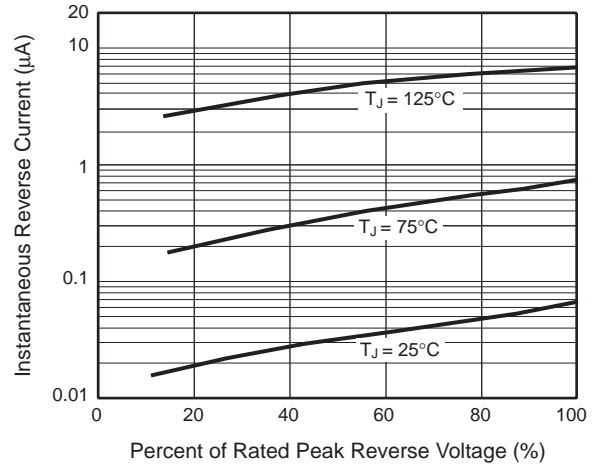
**Fig. 2 – Maximum Non-Repetitive Peak Forward Surge Current**



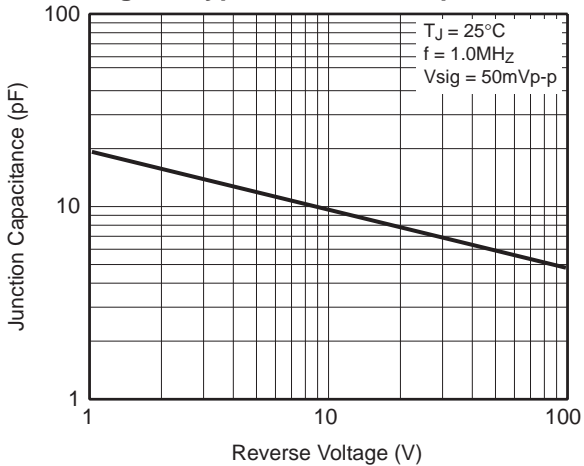
**Fig. 3 – Typical Instantaneous Forward Characteristics**



**Fig. 4 – Typical Reverse Characteristics**



**Fig. 5 – Typical Junction Capacitance**



**Fig. 6 – Typical Transient Thermal Impedance**

