

## Precision Monolithic Quad SPST Low-Voltage CMOS Analog Switches

**FEATURES**

- 2.7- thru 12-V Single Supply or  $\pm 3$ - thru  $\pm 6$ -Dual Supply
- On-Resistance— $r_{DS(on)}$ : 17  $\Omega$
- Fast Switching— $t_{ON}$ : 19 ns  
— $t_{OFF}$ : 12 ns
- TTL, CMOS Compatible
- Low Leakage: 0.25 nA
- 2000-V ESD Protection

**BENEFITS**

- Widest Dynamic Range
- Low Signal Errors and Distortion
- Break-Before-Make Switching Action
- Simple Interfacing

**APPLICATIONS**

- Precision Automatic Test Equipment
- Precision Data Acquisition
- Communication Systems
- Battery Powered Systems
- Computer Peripherals
- SDSL, DSLAM
- Audio and Video Signal Routing

**DESCRIPTION**

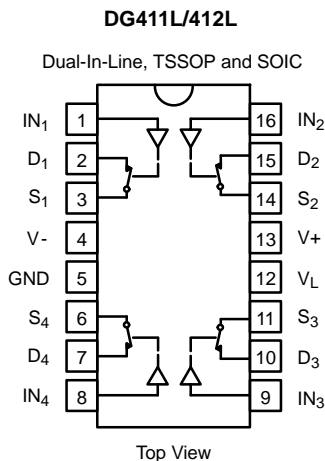
The DG411L/412L/413L are low voltage pin-for-pin compatible companion devices to the industry standard DG411/412/413 with improved performance

Using BiCMOS wafer fabrication technology allows the DG411L/412L/413L to operate on single and dual supplies. Single supply voltage ranges from 3 to 12 V while dual supply operation is recommended with  $\pm 3$  to  $\pm 6$  V.

Combining high speed ( $t_{ON}$ : 19 ns), flat  $r_{DS(on)}$  over the analog signal range (5  $\Omega$ ), minimal insertion lose (-3 dB at 280 MHz), and excellent crosstalk and off-isolation performance (-50 dB at 50 MHz), the DG411L/412L/413L are ideally suited for audio and video signal switching.

The DG411L and DG412L respond to opposite control logic as shown in the Truth Table. The DG413L has two normally open and two normally closed switches.

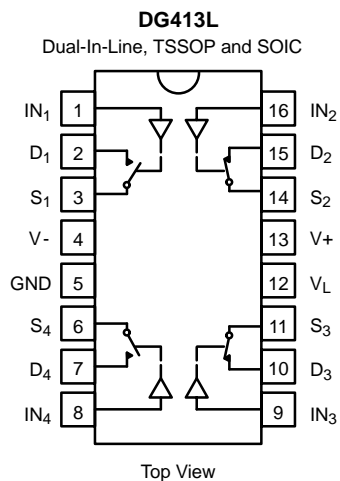
<b>FUNCTIONAL BLOCK DIAGRAM AND PIN CONFIGURATION</b>
---



<b>TRUTH TABLE</b>		
Logic	DG411L	DG412L
0	ON	OFF
1	OFF	ON

Logic "0"  $\leq 0.8$  V  
Logic "1"  $\geq 2.4$  V

### FUNCTIONAL BLOCK DIAGRAM AND PIN CONFIGURATION



TRUTH TABLE		
Logic	SW <sub>1</sub> , SW <sub>4</sub>	SW <sub>2</sub> , SW <sub>3</sub>
0	OFF	ON
1	ON	OFF

Logic "0" ≤ 0.8 V  
Logic "1" ≥ 2.4 V

ORDERING INFORMATION		
Temp Range	Package	Part Number
<b>DG411L/412L</b>		
-40 to 85°C	16-Pin Narrow SOIC	DG411LDY
		DG412LDY
	16-Pin TSSOP	DG411LDQ
		DG412LDQ
-55 to 125°C	16-Pin CerDIP	DG411LAK, DG411LAK/883
		DG412LAK, DG412LAK/883
	LCC-20	DG411LAZ/883
		DG412LAZ/883
<b>DG413L</b>		
-40 to 85°C	16-Pin Narrow SOIC	DG413LDY
	16-Pin TSSOP	DG413LDQ
-55 to 125°C	16-Pin CerDIP	DG413LAK, DG413LAK/883
	LCC-20	DG413LAZ/883

### ABSOLUTE MAXIMUM RATINGS

V <sub>+</sub> to V <sub>-</sub>	-0.3 TO 13 V
GND to V <sub>-</sub>	7 V
V <sub>L</sub>	(GND -0.3 V) to (V <sub>+</sub> ) +0.3 V
I <sub>N</sub> <sup>a</sup> , V <sub>S</sub> , V <sub>D</sub>	-0.3 to (V <sub>+</sub> +0.3 V) or 30 mA, whichever occurs first
Continuous Current (Any Terminal)	30 mA
Peak Current, S or D (Pulsed 1 ms, 10% Duty Cycle)	100 mA
Storage Temperature (DQ, DY Suffix)	-65 to 125°C
(AK Suffix)	-65 to 150°C

Power Dissipation (Package) <sup>b</sup>	
16-Pin TSSOP <sup>c</sup>	450 mW
16-Pin SOIC <sup>d</sup>	650 mW
16-Pin CerDIP <sup>e</sup>	900 mW

- Notes:
- Signals on S<sub>X</sub>, D<sub>X</sub>, or I<sub>N</sub><sub>X</sub> exceeding V<sub>+</sub> or V<sub>-</sub> will be clamped by internal diodes. Limit forward diode current to maximum current ratings.
  - All leads welded or soldered to PC Board.
  - Derate 7 mW/°C above 75°C
  - Derate 7.6 mW/°C above 75°C
  - Derate 12 mW/°C above 75°C



**SPECIFICATIONS<sup>a</sup> (SINGLE SUPPLY 12 V)**

Parameter	Symbol	Test Conditions Unless Specified $V_+ = 12\text{ V}, V_- = 0\text{ V}$ $V_L = 5\text{ V}, V_{IN} = 2.4\text{ V}, 0.8\text{ V}^f$	Temp <sup>b</sup>	Typ <sup>c</sup>	A Suffix Limits -55 to 125°C		D Suffix Limits -40 to 85°C		Unit
					Min <sup>d</sup>	Max <sup>d</sup>	Min <sup>d</sup>	Max <sup>d</sup>	
<b>Analog Switch</b>									
Analog Signal Range <sup>e</sup>	$V_{ANALOG}$		Full		0	12	0	12	V
Drain-Source On-Resistance	$r_{DS(on)}$	$V_+ = 10.8\text{ V}, V_- = 0\text{ V}$ $I_S = 10\text{ mA}, V_D = 2/9\text{ V}$	Room Full	20		30 45		30 40	$\Omega$
Switch Off Leakage Current	$I_{S(off)}$	$V_D = 1/11\text{ V}, V_S = 11/1\text{ V}$	Room Full		-1 -15	1 15	-1 -10	1 10	nA
	$I_{D(off)}$		Room Full		-1 -15	1 15	-1 -10	1 10	
Channel On Leakage Current	$I_{D(on)}$	$V_S = V_D = 11/1\text{ V}$	Room Full		-1 -15	1 15	-1 -10	1 10	
<b>Digital Control</b>									
Input Current, $V_{IN}$ Low	$I_{IL}$	$V_{IN}$ Under Test = 0.8 V	Full	0.01	-1.5	1.5	-1	1	$\mu\text{A}$
Input Current, $V_{IN}$ High	$I_{IH}$	$V_{IN}$ Under Test = 2.4 V	Full		-1.5	1.5	-1	1	
<b>Dynamic Characteristics</b>									
Turn-On Time	$t_{ON}$	$R_L = 300\ \Omega, C_L = 35\text{ pF}$ $V_S = 5\text{ V}$ See Figure 2	Room Full	20		50 70		50 60	ns
Turn-Off Time	$t_{OFF}$		Room Full	12		30 48		30 40	
Break-Before-Make Time Delay	$t_D$	DG413L Only, $V_S = 5\text{ V}$ $R_L = 300\ \Omega, C_L = 35\text{ pF}$	Room	6					
Charge Injection <sup>e</sup>	Q	$V_g = 0\text{ V}, R_g = 0\ \Omega, C_L = 10\text{ nF}$	Room	5					pC
Off Isolation <sup>e</sup>	OIRR	$R_L = 50\ \Omega, C_L = 5\text{ pF},$ $f = 1\text{ MHz}$	Room	71					dB
Channel-to-Channel Crosstalk <sup>e</sup>	$X_{TALK}$		Room	95					
Source Off Capacitance <sup>e</sup>	$C_{S(off)}$	f = 1 MHz	Room	5					pF
Drain Off Capacitance <sup>e</sup>	$C_{D(off)}$		Room	6					
Channel On Capacitance <sup>e</sup>	$C_{D(on)}$		Room	15					
<b>Power Supplies</b>									
Positive Supply Current	$I_+$	$V_{IN} = 0\text{ or }5\text{ V}$	Room Full	0.02		1 7.5		1 5	$\mu\text{A}$
Negative Supply Current	$I_-$		Room Full	-0.002	-1 -7.5		-1 -5		
Logic Supply Current	$I_L$		Room Full	0.002		1 7.5		1 5	
Ground Current	$I_{GND}$		Room Full	-0.002	-1 -7.5		-1 -5		

**SPECIFICATIONS<sup>a</sup> (DUAL SUPPLY  $\pm 5\text{ V}$ )**

Parameter	Symbol	Test Conditions Unless Specified $V_+ = 5\text{ V}, V_- = -5\text{ V}$ $V_L = 5\text{ V}, V_{IN} = 2.4\text{ V}, 0.8\text{ V}^f$	Temp <sup>b</sup>	Typ <sup>c</sup>	A Suffix Limits -55 to 150°C		D Suffix Limits -40 to 85°C		Unit
					Min <sup>d</sup>	Max <sup>d</sup>	Min <sup>d</sup>	Max <sup>d</sup>	
<b>Analog Switch</b>									
Analog Signal Range <sup>e</sup>	$V_{ANALOG}$		Full		-5	5	-5	5	V
Drain-Source On-Resistance	$r_{DS(on)}$	$V_+ = 5\text{ V}, V_- = -5\text{ V}$ $I_S = 10\text{ mA}, V_D = \pm 3.5\text{ V}$	Room Full	20		33 45		33 40	$\Omega$
Switch Off Leakage Current <sup>g</sup>	$I_{S(off)}$	$V_+ = 5.5\text{ V}, V_- = -5.5\text{ V}$ $V_D = \pm 4.5\text{ V}, V_S = \mp 4.5\text{ V}$	Room Full		-1 -15	1 15	-1 -10	1 10	nA
	$I_{D(off)}$		Room Full		-1 -15	1 15	-1 -10	1 10	
Channel On Leakage Current <sup>g</sup>	$I_{D(on)}$	$V_+ = 5.5\text{ V}, V_- = -5.5\text{ V}$ $V_S = V_D = \pm 4.5\text{ V}$	Room Full		-1 -15	1 15	-1 -10	1 10	



SPECIFICATIONS <sup>a</sup> (DUAL SUPPLY ± 5 V)									
Parameter	Symbol	Test Conditions Unless Specified $V_+ = 5\text{ V}, V_- = -5\text{ V}$ $V_L = 5\text{ V}, V_{IN} = 2.4\text{ V}, 0.8\text{ V}^f$	Temp <sup>b</sup>	Typ <sup>c</sup>	A Suffix Limits -55 to 150°C		D Suffix Limits -40 to 85°C		Unit
					Min <sup>d</sup>	Max <sup>d</sup>	Min <sup>d</sup>	Max <sup>d</sup>	
<b>Digital Control</b>									
Input Current, $V_{IN}$ Low <sup>e</sup>	$I_{IL}$	$V_{IN}$ Under Test = 0.8 V	Full	0.05	-1.5	1.5	-1	1	$\mu\text{A}$
Input Current, $V_{IN}$ High <sup>e</sup>	$I_{IH}$	$V_{IN}$ Under Test = 2.4 V	Full	0.05	-1.5	1.5	-1	1	
<b>Dynamic Characteristics</b>									
Turn-On Time <sup>e</sup>	$t_{ON}$	$R_L = 300\ \Omega, C_L = 35\text{ pF}$ $V_S = \pm 3.5\text{ V}$ See Figure 2	Room Full	21		50		50	ns
Turn-Off Time <sup>e</sup>	$t_{OFF}$		Room Full	16		35		35	
Break-Before-Make Time Delay <sup>e</sup>	$t_D$	DG413L Only, $V_S = 3.5\text{ V}$ $R_L = 300\ \Omega, C_L = 35\text{ pF}$	Room	6					
Charge Injection <sup>e</sup>	Q	$V_g = 0\text{ V}, R_g = 0\ \Omega, C_L = 10\text{ nF}$	Room	5					pC
Off Isolation <sup>e</sup>	OIRR	$R_L = 50\ \Omega, C_L = 5\text{ pF},$ $f = 1\text{ MHz}$	Room	68					dB
Channel-to-Channel Crosstalk <sup>e</sup>	$X_{TALK}$		Room	85					
Source Off Capacitance <sup>e</sup>	$C_{S(off)}$	$f = 1\text{ MHz}$	Room	9					pF
Drain Off Capacitance <sup>e</sup>	$C_{D(off)}$		Room	9					
Channel On Capacitance <sup>e</sup>	$C_{D(on)}$		Room	20					
<b>Power Supplies</b>									
Positive Supply Current <sup>e</sup>	$I_+$	$V_{IN} = 0\text{ or }5\text{ V}$	Room Full	0.03		1		1	$\mu\text{A}$
Negative Supply Current <sup>e</sup>	$I_-$		Room Full	-0.002		-1		-1	
Logic Supply Current <sup>e</sup>	$I_L$		Room Full	0.002		1		1	
Ground Current <sup>e</sup>	$I_{GND}$		Room Full	-0.002		-1		-1	

SPECIFICATIONS <sup>a</sup> (SINGLE SUPPLY 5 V)									
Parameter	Symbol	Test Conditions Unless Specified $V_+ = 5\text{ V}, V_- = 0\text{ V}$ $V_L = 5\text{ V}, V_{IN} = 2.4\text{ V}, 0.8\text{ V}^f$	Temp <sup>b</sup>	Typ <sup>c</sup>	A Suffix Limits -55 to 150°C		D Suffix Limits -40 to 85°C		Unit
					Min <sup>d</sup>	Max <sup>d</sup>	Min <sup>d</sup>	Max <sup>d</sup>	
<b>Analog Switch</b>									
Analog Signal Range <sup>e</sup>	$V_{ANALOG}$		Full			5		5	V
Drain-Source On-Resistance <sup>e</sup>	$r_{DS(on)}$	$V_+ = 4.5\text{ V}, I_S = 5\text{ mA}$ $V_D = 1\text{ V}, 3.5\text{ V}$	Room Full	35		50		50	$\Omega$
<b>Dynamic Characteristics</b>									
Turn-On Time <sup>e</sup>	$t_{ON}$	$R_L = 300\ \Omega, C_L = 35\text{ pF}$ $V_S = 3.5\text{ V}$ , See Figure 2	Room Hot	27		50		50	ns
Turn-Off Time <sup>e</sup>	$t_{OFF}$		Room Hot	15		30		30	
Break-Before-Make Time Delay <sup>e</sup>	$t_D$	DG413L Only, $V_S = 3.5\text{ V}$ $R_L = 300\ \Omega, C_L = 35\text{ pF}$	Room	6					
Charge Injection <sup>e</sup>	Q	$V_g = 0\text{ V}, R_g = 0\ \Omega, C_L = 10\text{ nF}$	Room	0.5					pC



SPECIFICATIONS <sup>a</sup> (SINGLE SUPPLY 5 V)									
Parameter	Symbol	Test Conditions Unless Specified $V_+ = 5\text{ V}, V_- = 0\text{ V}$ $V_L = 5\text{ V}, V_{IN} = 2.4\text{ V}, 0.8\text{ V}^f$	Temp <sup>b</sup>	Typ <sup>c</sup>	A Suffix Limits -55 to 150°C		D Suffix Limits -40 to 85°C		Unit
					Min <sup>d</sup>	Max <sup>d</sup>	Min <sup>d</sup>	Max <sup>d</sup>	
<b>Power Supplies</b>									
Positive Supply Current <sup>e</sup>	I+	$V_{IN} = 0\text{ or }5\text{ V}$	Room Hot	0.02		1 7.5		1 5	$\mu\text{A}$
Negative Supply Current <sup>e</sup>	I-		Room Hot	-0.002	-1 -7.5		-1 -5		
Logic Supply Current <sup>e</sup>	I <sub>L</sub>		Room Hot	0.002		1 7.5		1 5	
Ground Current <sup>e</sup>	I <sub>GND</sub>		Room Hot	-0.002	-1 -7.5		-1 -5		

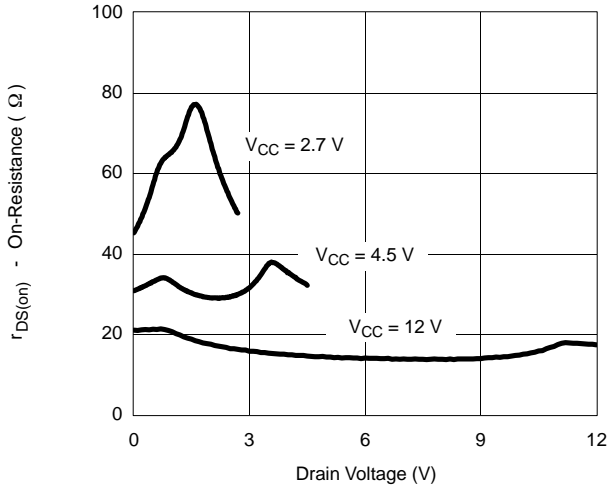
SPECIFICATIONS <sup>a</sup> (SINGLE SUPPLY 3 V)									
Parameter	Symbol	Test Conditions Unless Specified $V_+ = 3\text{ V}, V_- = 0\text{ V}$ $V_L = 3\text{ V}, V_{IN} = 0.4\text{ V}^f$	Temp <sup>b</sup>	Typ <sup>c</sup>	A Suffix Limits -55 to 150°C		Limits -40 to 85°C		Unit
					Min <sup>d</sup>	Max <sup>d</sup>	Min <sup>d</sup>	Max <sup>d</sup>	
<b>Analog Switch</b>									
Analog Signal Range <sup>e</sup>	V <sub>ANALOG</sub>		Full		0	3	0	3	V
Drain-Source On-Resistance	r <sub>DS(on)</sub>	$V_+ = 2.7\text{ V}, V_- = 0\text{ V}$ $I_S = 5\text{ mA}, V_D = 0.5, 2.2\text{ V}$	Room Full	65		80 115		80 100	$\Omega$
Switch Off Leakage Current <sup>g</sup>	I <sub>S(off)</sub>	$V_+ = 3.3\text{ V}, V_- = 0\text{ V}$ $V_D = 1, 2\text{ V}, V_S = 2, 1\text{ V}$	Room Full		-1 -15	1 15	-1 -10	1 10	nA
	I <sub>D(off)</sub>		Room Full		-1 -15	1 15	-1 -10	1 10	
Channel On Leakage Current <sup>g</sup>	I <sub>D(on)</sub>	$V_+ = 3.3\text{ V}, V_- = 0\text{ V}$ $V_S = V_D = 1, 2\text{ V}$	Room Full		-1 -15	1 15	-1 -10	1 10	
<b>Digital Control</b>									
Input Current, V <sub>IN</sub> Low	I <sub>IL</sub>	V <sub>IN</sub> Under Test = 0.4 V	Full	0.005	-1.5	1.5	-1	1	$\mu\text{A}$
Input Current, V <sub>IN</sub> High	I <sub>IH</sub>	V <sub>IN</sub> Under Test = 2.4 V	Full	0.005	-1.5	1.5	-1	1	
<b>Dynamic Characteristics</b>									
Turn-On Time	t <sub>ON</sub>	R <sub>L</sub> = 300 $\Omega$ , C <sub>L</sub> = 35 pF V <sub>S</sub> = 1.5 V See Figure 2	Room Full	50		85 150		85 110	ns
Turn-Off Time	t <sub>OFF</sub>		Room Full	30		60 100		60 85	
Break-Before-Make Time Delay	t <sub>D</sub>	DG413L Only, V <sub>S</sub> = 1.5 V R <sub>L</sub> = 300 $\Omega$ , C <sub>L</sub> = 35 pF	Room	6					
Charge Injection <sup>e</sup>	Q	V <sub>g</sub> = 0 V, R <sub>g</sub> = 0 $\Omega$ , C <sub>L</sub> = 10 nF	Room	1					pC
Off Isolation <sup>e</sup>	OIRR	R <sub>L</sub> = 50 $\Omega$ , C <sub>L</sub> = 5 pF, f = 1 MHz	Room	68					dB
Channel-to-Channel Crosstalk <sup>e</sup>	X <sub>TALK</sub>		Room	85					
Source Off Capacitance <sup>e</sup>	C <sub>S(off)</sub>	f = 1 MHz	Room	6					pF
Drain Off Capacitance <sup>e</sup>	C <sub>D(off)</sub>		Room	6					
Channel On Capacitance <sup>e</sup>	C <sub>D(on)</sub>		Room	20					

- Notes:
- Refer to PROCESS OPTION FLOWCHART.
  - Room = 25°C, Full = as determined by the operating temperature suffix.
  - Typical values are for DESIGN AID ONLY, not guaranteed nor subject to production testing.
  - The algebraic convention whereby the most negative value is a minimum and the most positive a maximum, is used in this data sheet.
  - Guaranteed by design, not subject to production test.
  - V<sub>IN</sub> = input voltage to perform proper function.
  - Leakage parameters are guaranteed by worst case test conditions and not subject to test.

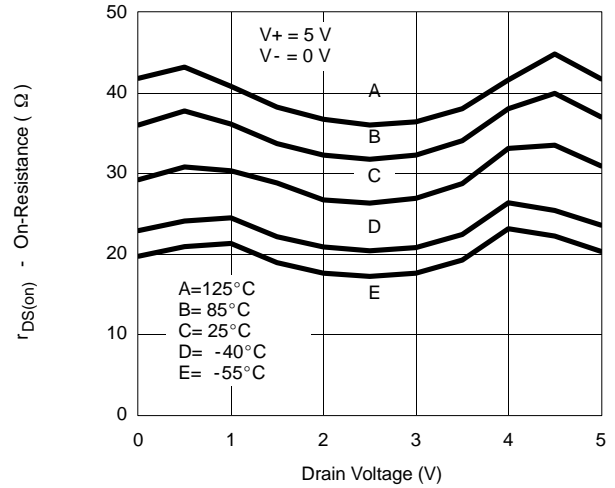


### TYPICAL CHARACTERISTICS (25°C UNLESS NOTED)

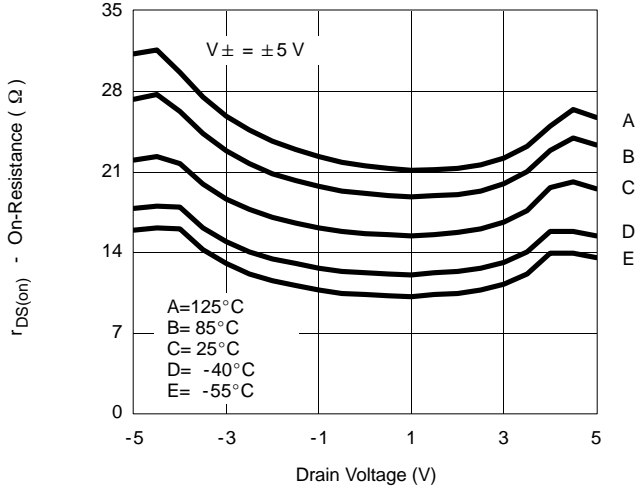
**$r_{DS(on)}$  vs. Drain Voltage  
(Single Supply)**



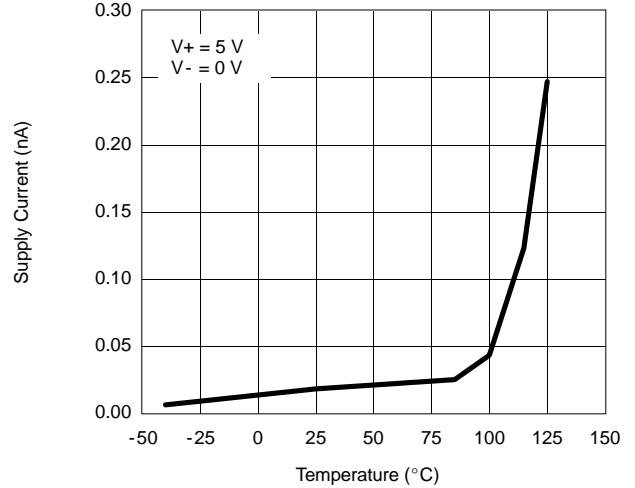
**$r_{DS(on)}$  vs. Drain Voltage and Temperature  
(Single Supply)**



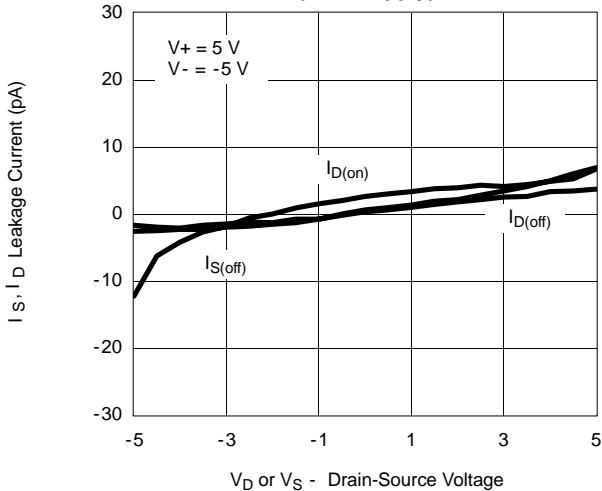
**$r_{DS(on)}$  vs. Drain Voltage and Temperature  
(Dual Supply)**



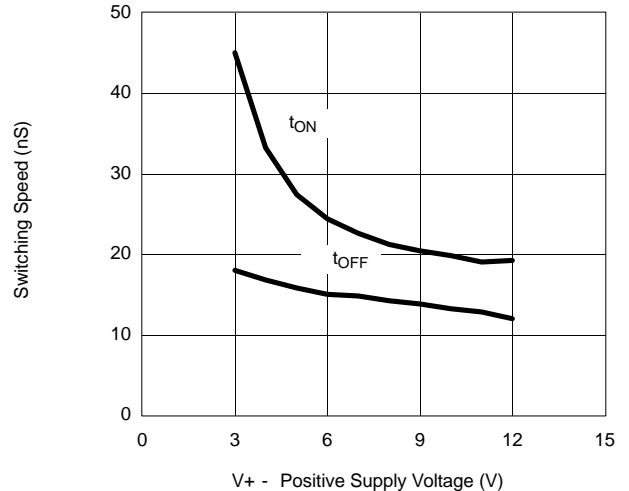
**Supply Current vs. Temperature**



**Leakage Current vs. Analog Voltage  
(Dual Supply)**

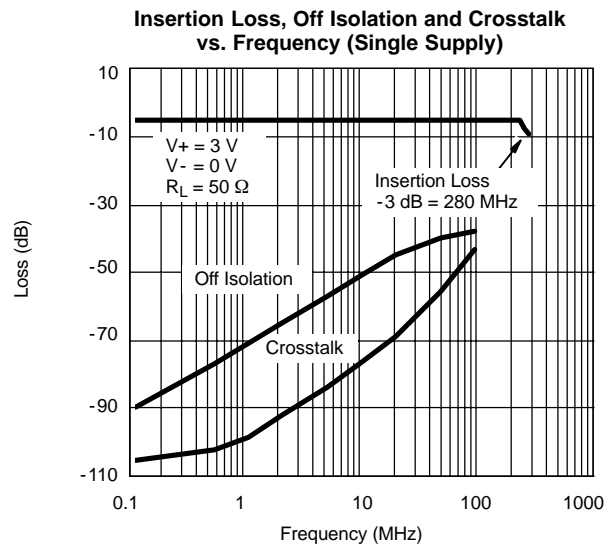
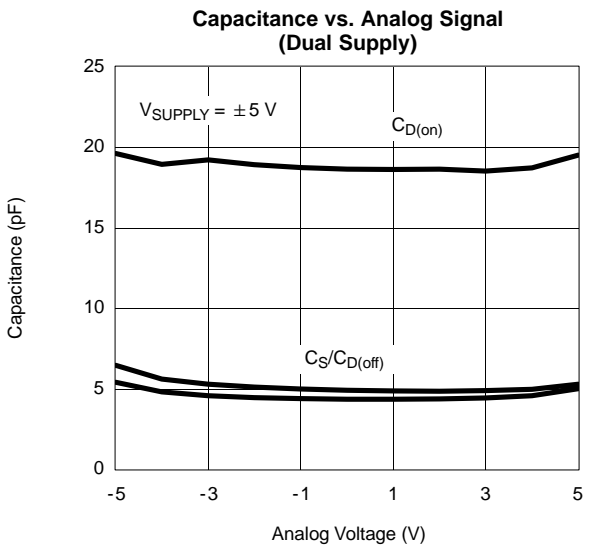
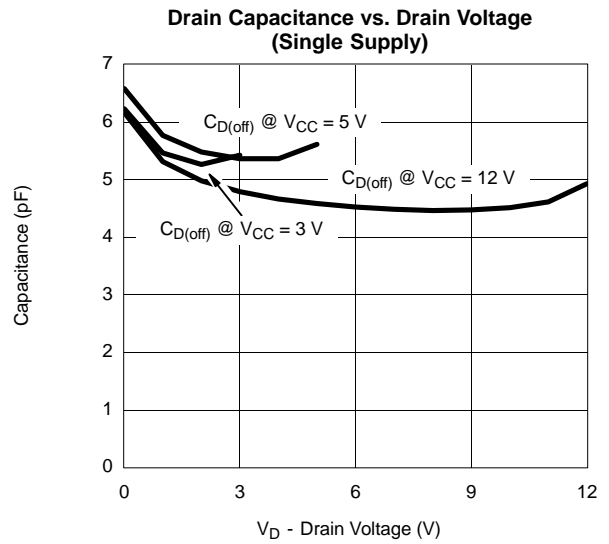
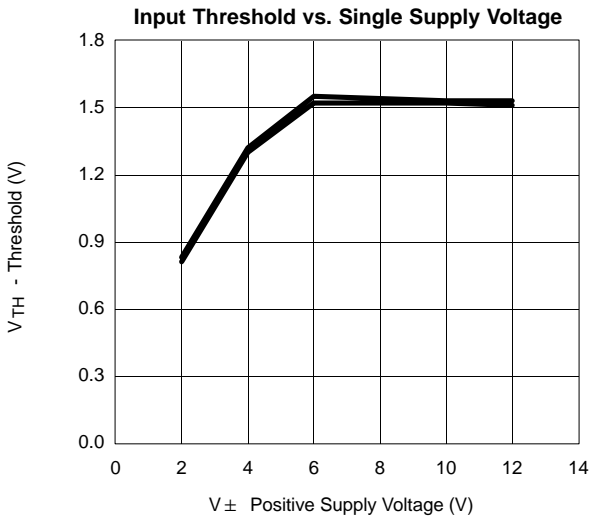
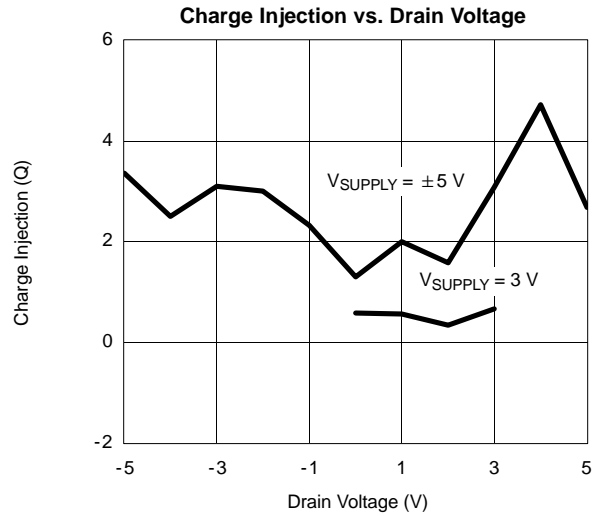
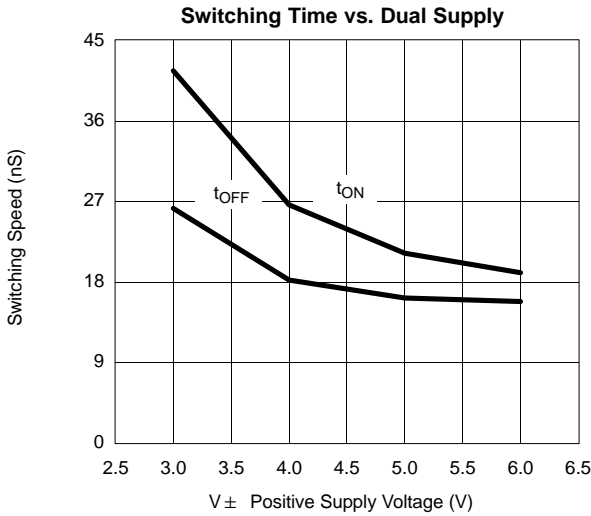


**Switching Time vs. Single Supply**





**TYPICAL CHARACTERISTICS (25°C UNLESS NOTED)**



### SCHEMATIC DIAGRAM (TYPICAL CHANNEL)

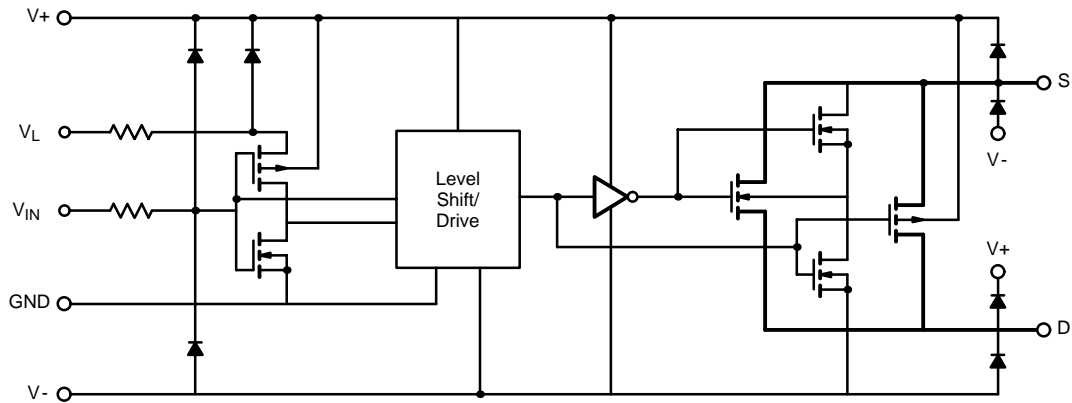
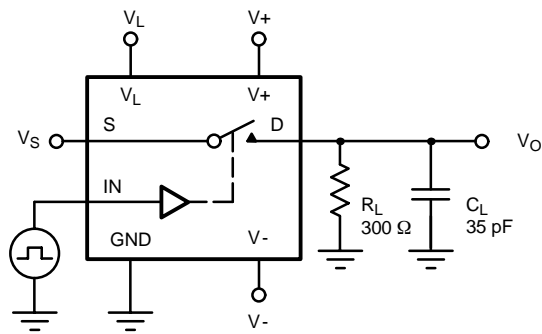


FIGURE 1.

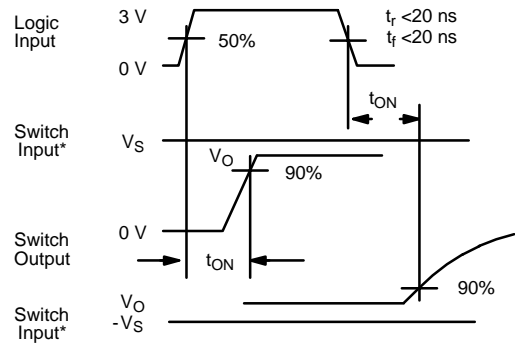
### TEST CIRCUITS



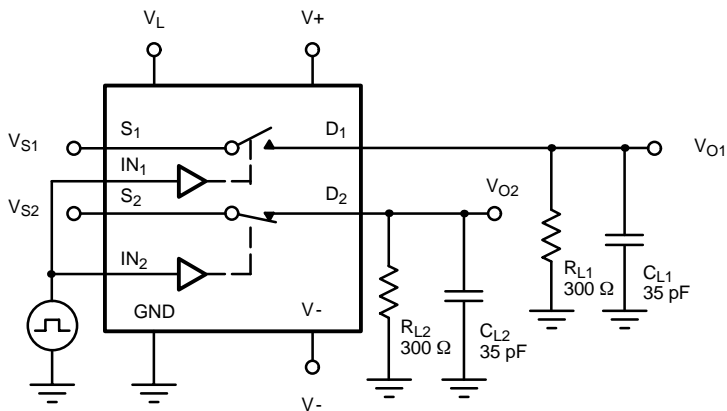
$C_L$  (includes fixture and stray capacitance)

$$V_O = V_S \frac{R_L}{R_L + r_{DS(on)}}$$

FIGURE 2. Switching Time

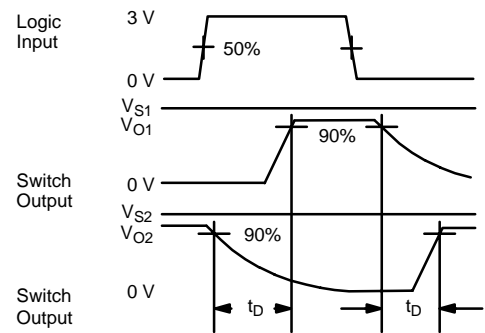


Note: Logic input waveform is inverted for switches that have the opposite logic sense control

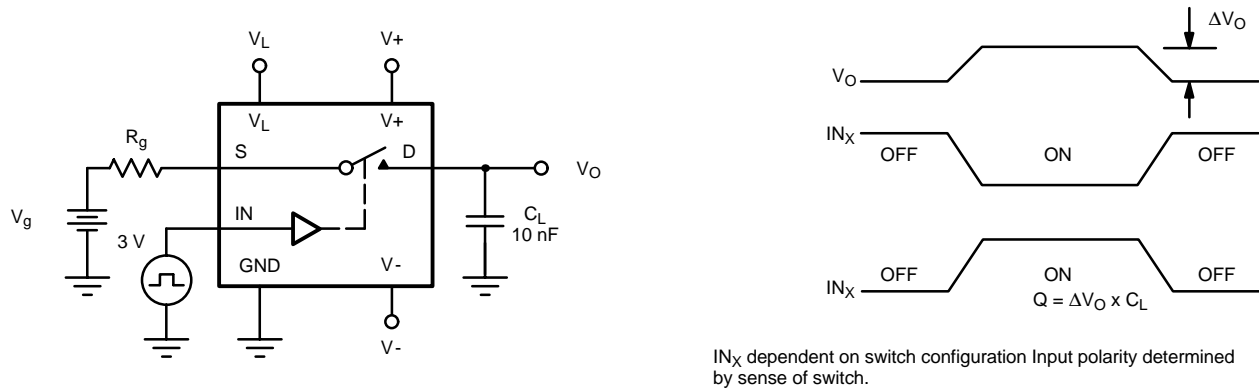


$C_L$  (includes fixture and stray capacitance)

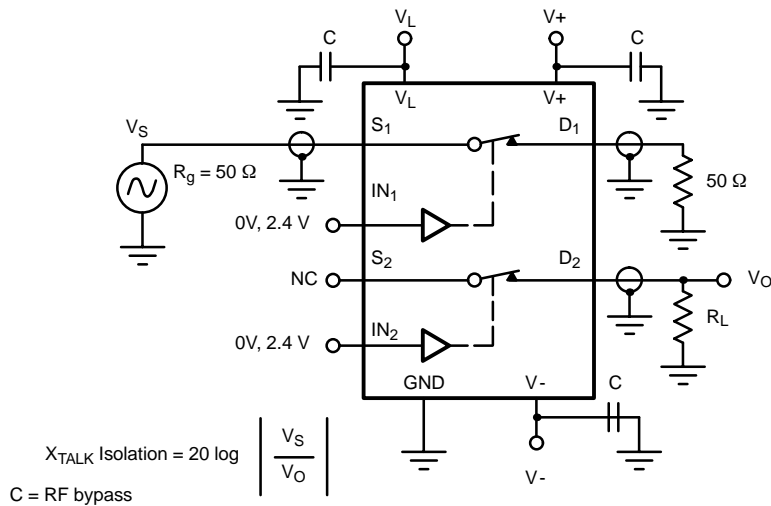
FIGURE 3. Break-Before-Make (DG413L)



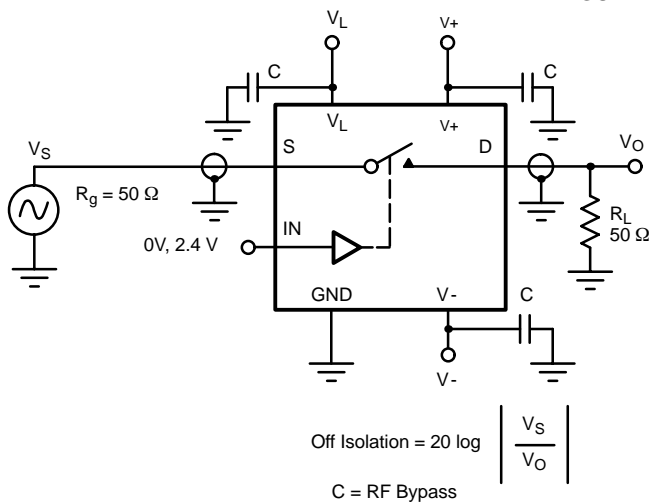
### TEST CIRCUITS



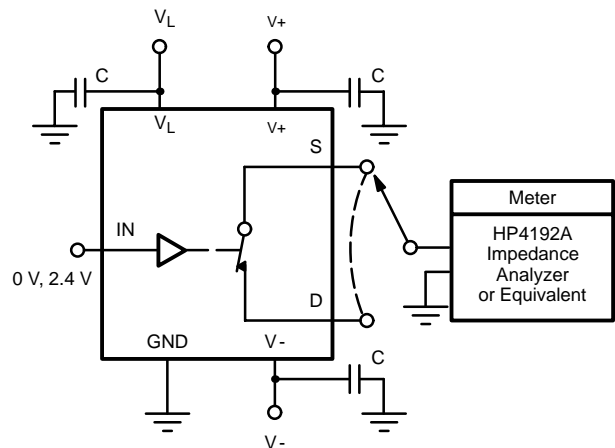
**FIGURE 4.** Charge Injection



**FIGURE 5.** Crosstalk



**FIGURE 6.** Off Isolation



**FIGURE 7.** Source/Drain Capacitances