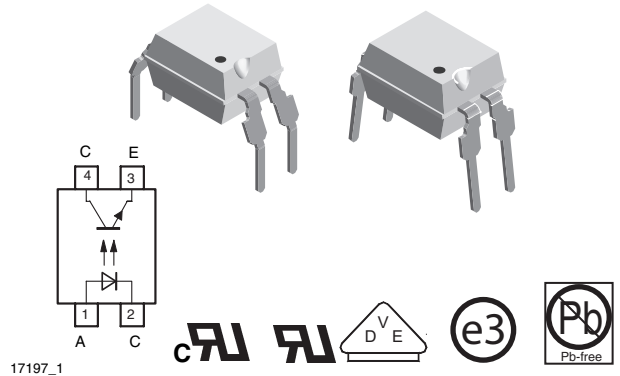


## Optocoupler, Phototransistor Output, High Temperature

### Features

- Extra low coupling capacity - typical 0.2 pF
- High Common Mode Rejection
- Low temperature coefficient of CTR
- CTR offered in 9 groups
- Reinforced Isolation provides circuit protection against electrical shock (Safety Class II)
- Lead-free component
- Component in accordance to RoHS 2002/95/EC and WEEE 2002/96/EC



### Agency Approvals

- UL1577, File No. E76222 System Code U, Double Protection
- CSA 22.2 bulletin 5A, Double Protection
- BSI: EN 60065:2002, EN 60950:2000 Certificate No. 7081 and 7402
- DIN EN 60747-5-2 (VDE0884)  
DIN EN 60747-5-5 pending
- FIMKO

### Applications

Switch-mode power supplies

Line receiver

Computer peripheral interface

Microprocessor system interface

Circuits for safe protective separation against electrical shock according to safety class II (reinforced isolation):

- For appl. class I - IV at mains voltage  $\leq 300$  V
- For appl. class I - III at mains voltage  $\leq 600$  V according to DIN EN 60747-5-2(VDE0884)/ DIN EN 60747-5-5 pending, table 2.

### Description

The TCET110. consists of a phototransistor optically coupled to a gallium arsenide infrared-emitting diode in a 4-lead plastic dual in-line package.

The elements are mounted on one leadframe using a **coplanar technique**, providing a fixed distance between input and output for highest safety requirements.

Isolation materials according to UL94-VO

Pollution degree 2 (DIN/VDE 0110 / resp. IEC 60664)

Climatic classification 55/100/21 (IEC 60068 part 1)

Rated impulse voltage (transient overvoltage)

$V_{IOTM} = 8$  kV peak

Isolation test voltage (partial discharge test voltage)

$V_{pd} = 1.6$  kV

Rated isolation voltage (RMS includes DC)

$V_{IOWM} = 600 V_{RMS}$  (848 V peak)

Rated recurring peak voltage (repetitive)

$V_{IORM} = 600 V_{RMS}$

Thickness through insulation  $\geq 0.75$  mm

Internal creepage distance  $> 4$  mm

Creepage current resistance according to VDE 0303/

IEC 112 **Comparative Tracking Index:**

**CTI  $\geq 175$**

### VDE Standards

These couplers perform safety functions according to the following equipment standards:

**DIN EN 60747-5-2(VDE0884)/ DIN EN 60747-5-5 pending**

Optocoupler for electrical safety requirements

**IEC 60950/EN 60950**

Office machines (applied for reinforced isolation for mains voltage  $\leq 400$  VRMS)

**VDE 0804**

Telecommunication apparatus and data processing

**IEC 60065**

Safety for mains-operated electronic and related household apparatus

## Order Information

Part	Remarks
TCET1100	CTR 50 - 600 %, DIP-4
TCET1101	CTR 40 - 80 %, DIP-4
TCET1102	CTR 63 - 125 %, DIP-4
TCET1103	CTR 100 - 200 %, DIP-4
TCET1104	CTR 160 - 320 %, DIP-4
TCET1105	CTR 50 - 150 %, DIP-4
TCET1106	CTR 100 - 300 %, DIP-4
TCET1107	CTR 80 - 160 %, DIP-4
TCET1108	CTR 130 - 260 %, DIP-4
TCET1109	CTR 200 - 400 %, DIP-4
TCET1100G	CTR 50 - 600 %, DIP-4
TCET1101G	CTR 40 - 80 %, DIP-4
TCET1102G	CTR 63 - 125 %, DIP-4
TCET1103G	CTR 100 - 200 %, DIP-4
TCET1104G	CTR 160 - 320 %, DIP-4
TCET1105G	CTR 50 - 150 %, DIP-4
TCET1106G	CTR 100 - 300 %, DIP-4
TCET1107G	CTR 80 - 160 %, DIP-4
TCET1108G	CTR 130 - 260 %, DIP-4
TCET1109G	CTR 200 - 400 %, DIP-4

G = Leadform 10.16 mm; G is not marked on the body

## Absolute Maximum Ratings

$T_{amb} = 25\text{ }^{\circ}\text{C}$ , unless otherwise specified

Stresses in excess of the absolute Maximum Ratings can cause permanent damage to the device. Functional operation of the device is not implied at these or any other conditions in excess of those given in the operational sections of this document. Exposure to absolute Maximum Rating for extended periods of the time can adversely affect reliability.

## Input

Parameter	Test condition	Symbol	Value	Unit
Reverse voltage		$V_R$	6	V
Forward current		$I_F$	60	mA
Forward surge current	$t_p \leq 10\text{ }\mu\text{s}$	$I_{FSM}$	1.5	A
Power dissipation		$P_{diss}$	100	mW
Junction temperature		$T_j$	125	$^{\circ}\text{C}$

## Output

Parameter	Test condition	Symbol	Value	Unit
Collector emitter voltage		$V_{CEO}$	70	V
Emitter collector voltage		$V_{ECO}$	7	V
Collector current		$I_C$	50	mA
Collector peak current	$t_p/T = 0.5, t_p \leq 10\text{ ms}$	$I_{CM}$	100	mA
Power dissipation		$P_{diss}$	150	mW
Junction temperature		$T_j$	125	$^{\circ}\text{C}$



## Coupler

Parameter	Test condition	Symbol	Value	Unit
Isolation test voltage (RMS)	$t = 1 \text{ min}$	$V_{ISO}$	5000	$V_{RMS}$
Total power dissipation		$P_{tot}$	250	mW
Operating ambient temperature range		$T_{amb}$	- 40 to + 100	$^{\circ}\text{C}$
Storage temperature range		$T_{stg}$	- 55 to + 125	$^{\circ}\text{C}$
Soldering temperature	2 mm from case $t \leq 10 \text{ s}$	$T_{sld}$	260	$^{\circ}\text{C}$

## Electrical Characteristics

$T_{amb} = 25 \text{ }^{\circ}\text{C}$ , unless otherwise specified

Minimum and maximum values are testing requirements. Typical values are characteristics of the device and are the result of engineering evaluation. Typical values are for information only and are not part of the testing requirements.

## Input

Parameter	Test condition	Symbol	Min	Typ.	Max	Unit
Forward voltage	$I_F = 50 \text{ mA}$	$V_F$		1.25	1.6	V
Junction capacitance	$V_R = 0 \text{ V}$ , $f = 1 \text{ MHz}$	$C_j$		50		pF

## Output

Parameter	Test condition	Symbol	Min	Typ.	Max	Unit
Collector emitter voltage	$I_C = 1 \text{ mA}$	$V_{CEO}$	70			V
Emitter collector voltage	$I_E = 100 \text{ } \mu\text{A}$	$V_{ECO}$	7			V
Collector-emitter cut-off current	$V_{CE} = 20 \text{ V}$ , $I_f = 0$ , $E = 0$	$I_{CEO}$		10	100	nA

## Coupler

Parameter	Test condition	Symbol	Min	Typ.	Max	Unit
Collector emitter saturation voltage	$I_F = 10 \text{ mA}$ , $I_C = 1 \text{ mA}$	$V_{CEsat}$			0.3	V
Cut-off frequency	$V_{CE} = 5 \text{ V}$ , $I_F = 10 \text{ mA}$ , $R_L = 100 \text{ } \Omega$	$f_c$		110		kHz
Coupling capacitance	$f = 1 \text{ MHz}$	$C_k$		0.3		pF

## Current Transfer Ratio

Parameter	Test condition	Part	Symbol	Min	Typ.	Max	Unit
$I_C/I_F$	$V_{CE} = 5\text{ V}, I_F = 1\text{ mA}$	TCET1100 TCET1100G	CTR	13	30		%
		TCET1102 TCET1102G	CTR	22	45		%
		TCET1103 TCET1103G	CTR	34	70		%
		TCET1104 TCET1104G	CTR	56	90		%
	$V_{CE} = 5\text{ V}, I_F = 5\text{ mA}$	TCET1100 TCET1100G	CTR	50		600	%
		TCET1105 TCET1105G	CTR	50		150	%
		TCET1106 TCET1106G	CTR	100		300	%
		TCET1107 TCET1107G	CTR	80		160	%
		TCET1108 TCET1108G	CTR	130		260	%
		TCET1109 TCET1109G	CTR	200		400	%
	$V_{CE} = 5\text{ V}, I_F = 10\text{ mA}$	TCET1100 TCET1100G	CTR	40		80	%
		TCET1102 TCET1102G	CTR	63		125	%
TCET1103 TCET1103G		CTR	100		200	%	
TCET1104 TCET1104G		CTR	160		320	%	

## Maximum Safety Ratings

(according to DIN EN 60747-5-2(VDE0884)/ DIN EN 60747-5-5 pending) see figure 1

This optocoupler is suitable for safe electrical isolation only within the safety ratings.

Compliance with the safety ratings shall be ensured by means of suitable protective circuits.

## Input

Parameter	Test condition	Symbol	Min	Typ.	Max	Unit
Forward current		$I_F$			130	mA

## Output

Parameter	Test condition	Symbol	Min	Typ.	Max	Unit
Power dissipation		$P_{diss}$			265	mW

## Coupler

Parameter	Test condition	Symbol	Min	Typ.	Max	Unit
Rated impulse voltage		$V_{IOTM}$			8	kV
Safety temperature		$T_{si}$			150	°C

## Insulation Rated Parameters

Parameter	Test condition	Symbol	Min	Typ.	Max	Unit
Partial discharge test voltage - Routine test	100 %, $t_{\text{test}} = 1 \text{ s}$	$V_{\text{pd}}$	1.6			kV
Partial discharge test voltage - Lot test (sample test)	$t_{\text{Tr}} = 60 \text{ s}$ , $t_{\text{test}} = 10 \text{ s}$ , (see figure 2)	$V_{\text{IOTM}}$	8			kV
		$V_{\text{pd}}$	1.3			kV
Insulation resistance	$V_{\text{IO}} = 500 \text{ V}$	$R_{\text{IO}}$	$10^{12}$			$\Omega$
	$V_{\text{IO}} = 500 \text{ V}$ , $T_{\text{amb}} = 100 \text{ }^\circ\text{C}$	$R_{\text{IO}}$	$10^{11}$			$\Omega$
	$V_{\text{IO}} = 500 \text{ V}$ , $T_{\text{amb}} = 150 \text{ }^\circ\text{C}$ (construction test only)	$R_{\text{IO}}$	$10^9$			$\Omega$

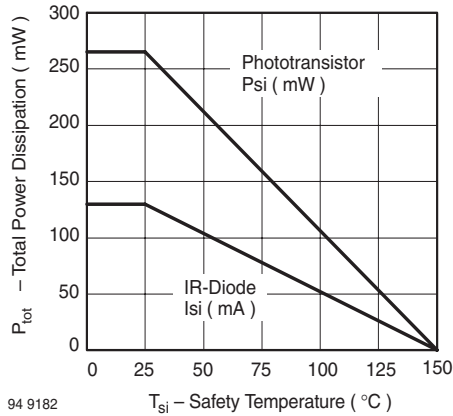


Figure 1. Derating diagram

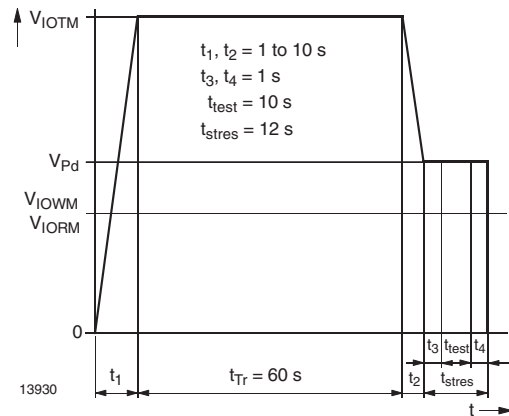
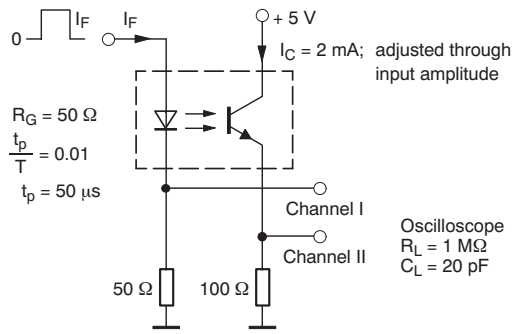


Figure 2. Test pulse diagram for sample test according to DIN EN 60747-5-2(VDE0884)/ DIN EN 60747-; IEC60747

### Switching Characteristics

Parameter	Test condition	Symbol	Min	Typ.	Max	Unit
Delay time	$V_S = 5\text{ V}$ , $I_C = 2\text{ mA}$ , $R_L = 100\ \Omega$ (see figure 3)	$t_d$		3.0		$\mu\text{s}$
Rise time	$V_S = 5\text{ V}$ , $I_C = 2\text{ mA}$ , $R_L = 100\ \Omega$ (see figure 3)	$t_r$		3.0		$\mu\text{s}$
Turn-on time	$V_S = 5\text{ V}$ , $I_C = 2\text{ mA}$ , $R_L = 100\ \Omega$ (see figure 3)	$t_{on}$		6.0		$\mu\text{s}$
Storage time	$V_S = 5\text{ V}$ , $I_C = 2\text{ mA}$ , $R_L = 100\ \Omega$ (see figure 3)	$t_s$		0.3		$\mu\text{s}$
Fall time	$V_S = 5\text{ V}$ , $I_C = 2\text{ mA}$ , $R_L = 100\ \Omega$ (see figure 3)	$t_f$		4.7		$\mu\text{s}$
Turn-off time	$V_S = 5\text{ V}$ , $I_C = 2\text{ mA}$ , $R_L = 100\ \Omega$ (see figure 3)	$t_{off}$		5.0		$\mu\text{s}$
Turn-on time	$V_S = 5\text{ V}$ , $I_F = 10\text{ mA}$ , $R_L = 1\text{ k}\Omega$ (see figure 4)	$t_{on}$		9.0		$\mu\text{s}$
Turn-off time	$V_S = 5\text{ V}$ , $I_F = 10\text{ mA}$ , $R_L = 1\text{ k}\Omega$ (see figure 4)	$t_{off}$		10.0		$\mu\text{s}$



95 10804

Figure 3. Test circuit, non-saturated operation

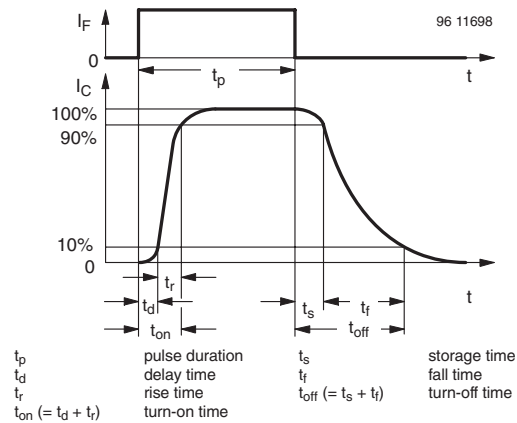
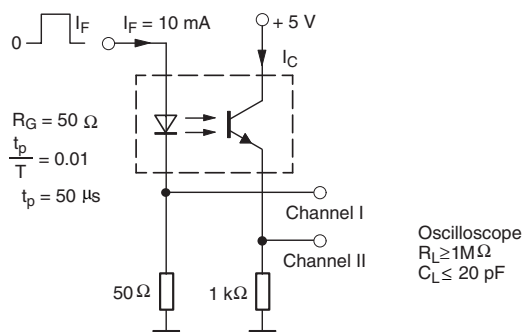


Figure 5. Switching Times



95 10843

Figure 4. Test circuit, saturated operation

## Typical Characteristics ( $T_{amb} = 25\text{ }^{\circ}\text{C}$ unless otherwise specified)

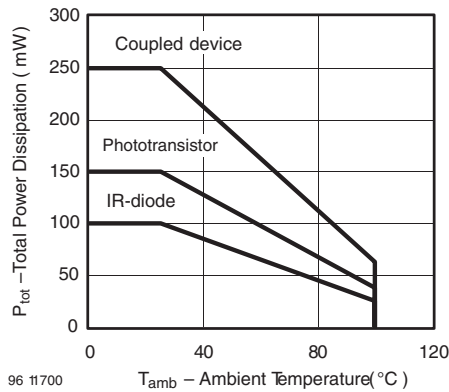


Figure 6. Total Power Dissipation vs. Ambient Temperature

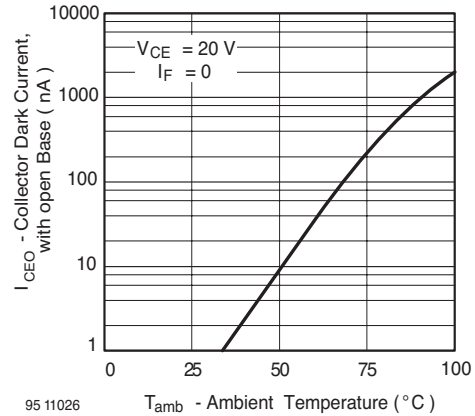


Figure 9. Collector Dark Current vs. Ambient Temperature

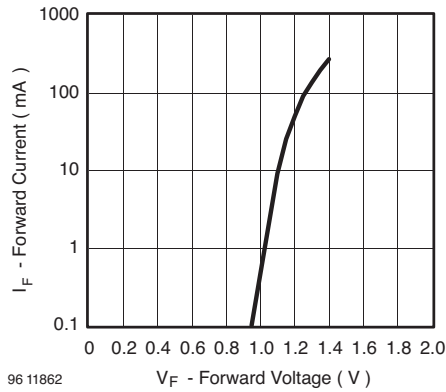


Figure 7. Forward Current vs. Forward Voltage

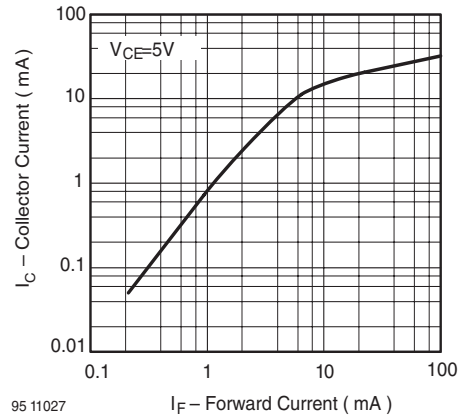


Figure 10. Collector Current vs. Forward Current

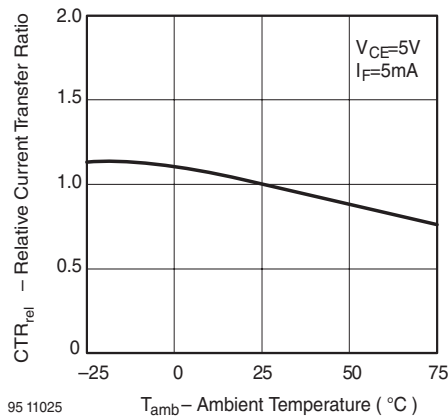


Figure 8. Relative Current Transfer Ratio vs. Ambient Temperature

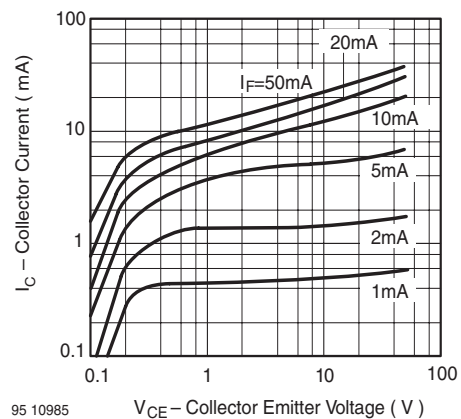
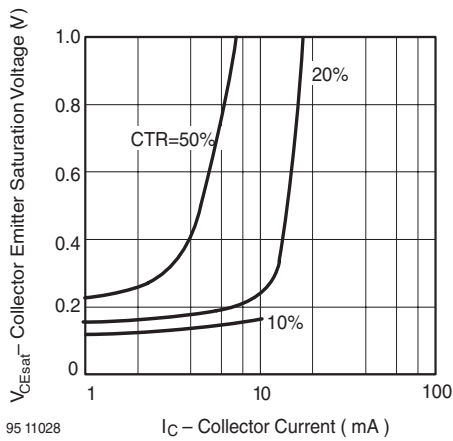
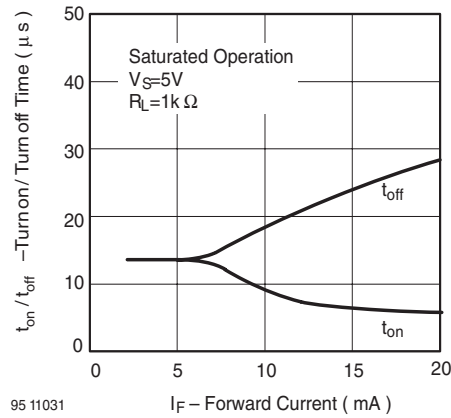


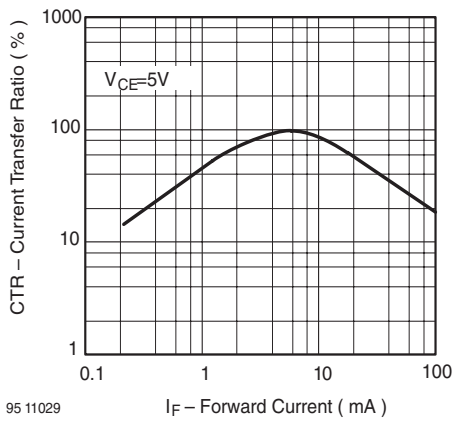
Figure 11. Collector Current vs. Collector Emitter Voltage



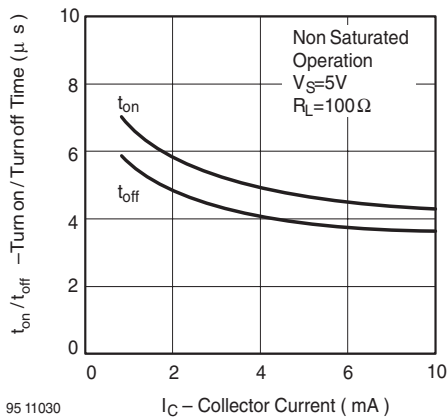
95 11028  
Figure 12. Collector Emitter Saturation Voltage vs. Collector Current



95 11031  
Figure 15. Turn on / off Time vs. Forward Current



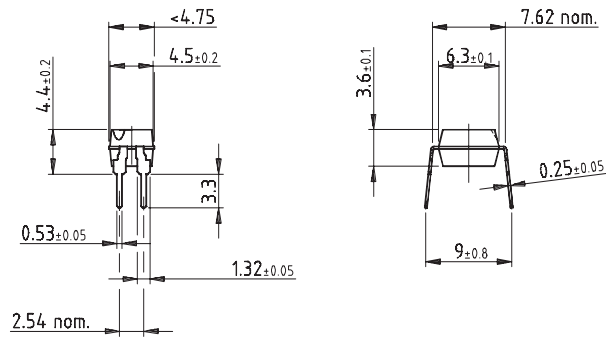
95 11029  
Figure 13. Current Transfer Ratio vs. Forward Current



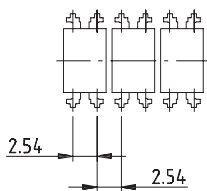
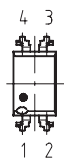
95 11030  
Figure 14. Turn on / off Time vs. Collector Current



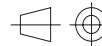
## Package Dimensions in mm



E.g.:  
special Features: endstackable  
to 2.54mm (.100") spacing



weight : ca 0.25g  
creepage distance : > 6mm  
air path : > 6mm  
after mounting on PC board

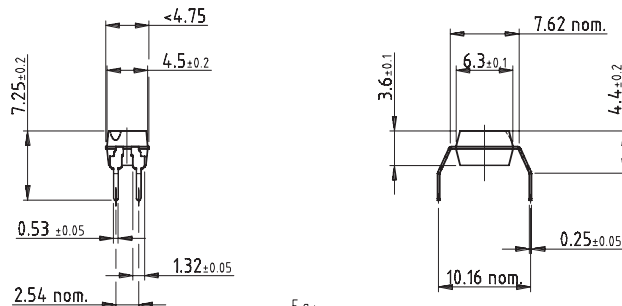


technical drawings  
according to DIN  
specifications

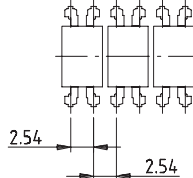
Drawing-No.: 6.544-5302.03-4  
Issue: 5; 20.03.02

14789

## Package Dimensions in mm



E.g.:  
special Features: endstackable  
to 2.54mm (.100") spacing



weight : ca 0.25g  
creepage distance : > 8mm  
air path : > 8mm  
after mounting on PC board



technical drawings  
according to DIN  
specifications

Drawing-No.: 6.544-5303.03-4  
Issue: 4; 20.03.02

14792

### Ozone Depleting Substances Policy Statement

It is the policy of Vishay Semiconductor GmbH to

1. Meet all present and future national and international statutory requirements.
2. Regularly and continuously improve the performance of our products, processes, distribution and operating systems with respect to their impact on the health and safety of our employees and the public, as well as their impact on the environment.

It is particular concern to control or eliminate releases of those substances into the atmosphere which are known as ozone depleting substances (ODSs).

The Montreal Protocol (1987) and its London Amendments (1990) intend to severely restrict the use of ODSs and forbid their use within the next ten years. Various national and international initiatives are pressing for an earlier ban on these substances.

Vishay Semiconductor GmbH has been able to use its policy of continuous improvements to eliminate the use of ODSs listed in the following documents.

1. Annex A, B and list of transitional substances of the Montreal Protocol and the London Amendments respectively
2. Class I and II ozone depleting substances in the Clean Air Act Amendments of 1990 by the Environmental Protection Agency (EPA) in the USA
3. Council Decision 88/540/EEC and 91/690/EEC Annex A, B and C (transitional substances) respectively.

Vishay Semiconductor GmbH can certify that our semiconductors are not manufactured with ozone depleting substances and do not contain such substances.

We reserve the right to make changes to improve technical design  
and may do so without further notice.

Parameters can vary in different applications. All operating parameters must be validated for each customer application by the customer. Should the buyer use Vishay Semiconductors products for any unintended or unauthorized application, the buyer shall indemnify Vishay Semiconductors against all claims, costs, damages, and expenses, arising out of, directly or indirectly, any claim of personal damage, injury or death associated with such unintended or unauthorized use.

Vishay Semiconductor GmbH, P.O.B. 3535, D-74025 Heilbronn, Germany  
Telephone: 49 (0)7131 67 2831, Fax number: 49 (0)7131 67 2423