

Transistors – bipolar

RF transistors

Plastic package TO 92

Type		Maximum ratings			Characteristics ($T_A = 25^\circ\text{C}$)						Figure
		V_{CE0}	I_C	P_{tot}	h_{FE}	I_C	V_{CE}	I_{CBO}	V_{CEsat}	f_T	
NPN	= N	V	I_{CM}^*	mW		mA	V	nA	V	MHz	
BF 199	N	25	25	500	$85 (\geq 38)$	7	10	≤ 100	–	550	30
BF 240	N	40	25	250	65 ... 220	1	10	≤ 100	–	400	
BF 241	N	40	25	250	35 ... 125	1	10	≤ 100	–	400	
BF 254	N	20	30	250	65 ... 220	1	10	≤ 100	–	260	
BF 255	N	20	30	250	35 ... 125	1	10	≤ 100	–	220	
BF 414	P	30	25	300	$80 (\geq 30)$	4	10	≤ 60	–	560	31
BF 450	P	40	25	250	65 ... 220	1	10	≤ 50	–	375	30
BF 451	P	40	25	250	35 ... 125	1	10	≤ 50	–	325	
BF 506	P	35	30	300	≥ 25	3	10	≤ 100	–	550	31
BF 606 A	P	30	25	300	≥ 30	1	10	≤ 60	–	700	30
BF 763	N	15	25	500	25 ... 250	5	10	≤ 50	$\leq 0,5$	2000	32
BF 959	N	20	100*	500	85 ... (≥ 40)	20	10	≤ 100	≤ 1	1100	30

Plastic package T-plast

BF 970	P	35	30	160	$50 (\geq 25)$	3	10	≤ 100	–	950	33
BF 979 S	P	25	50*	160	≥ 20	10	10	≤ 100	–	1600	

TO 92

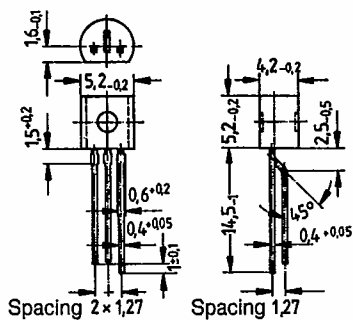


Figure 30



Figure 31

TO 92

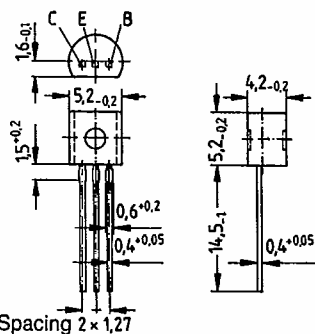


Figure 32 Spacing 2x1,27

T-plast

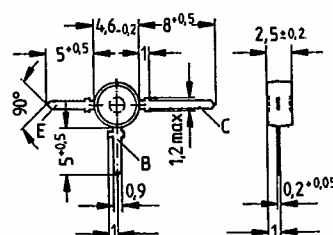


Figure 33