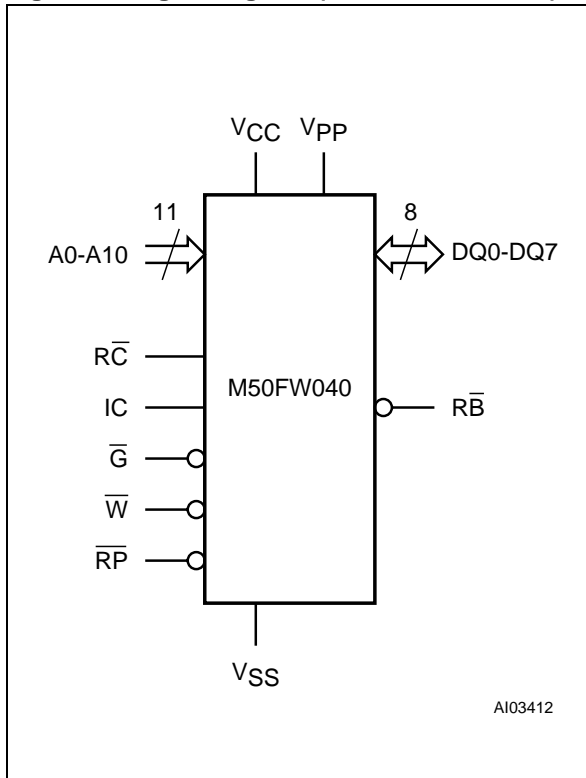


M50FW040

Figure 2. Logic Diagram (A/A Mux Interface)



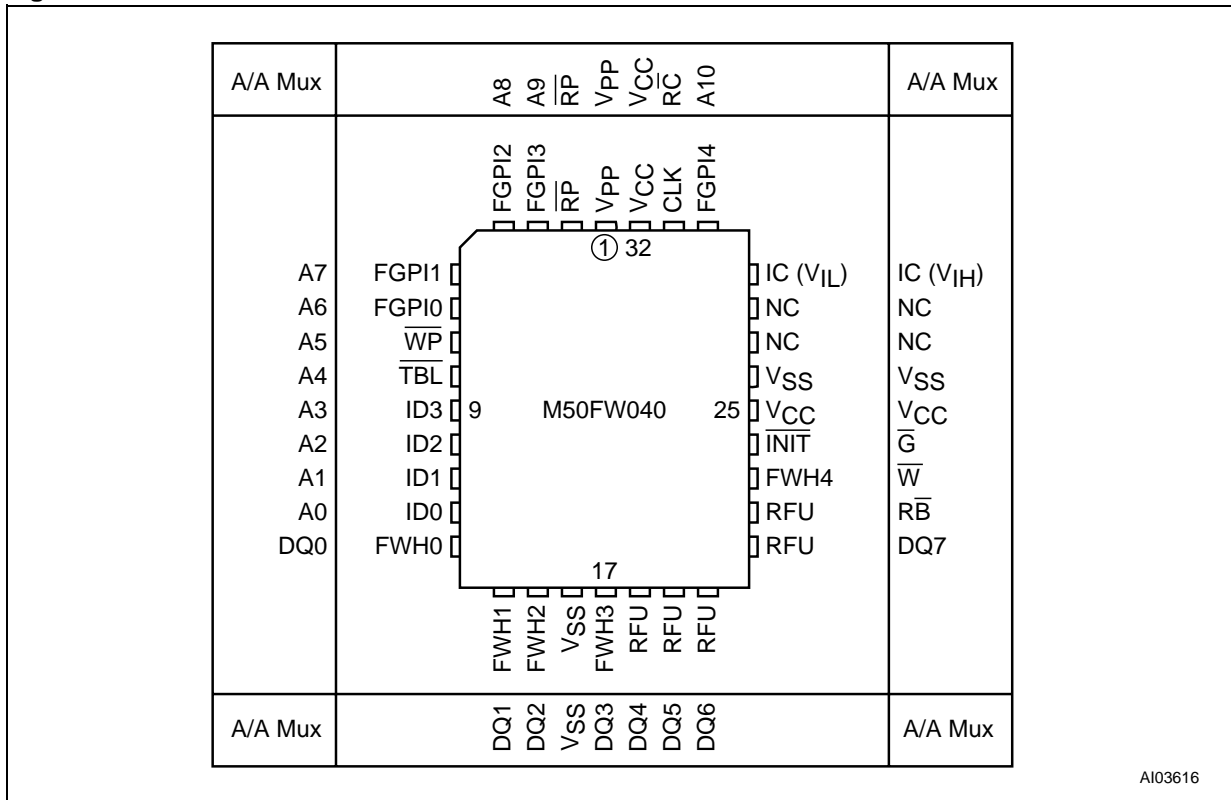
DESCRIPTION

The M50FW040 is a 4 Mbit (512Kb x8) non-volatile memory that can be read, erased and reprogrammed. These operations can be performed using a single low voltage (3.0 to 3.6V) supply. For fast erasing in production lines an optional 12V power supply can be used to reduce the erasing time.

The memory is divided into blocks that can be erased independently so it is possible to preserve valid data while old data is erased. Blocks can be protected individually to prevent accidental Program or Erase commands from modifying the memory. Program and Erase commands are written to the Command Interface of the memory. An on-chip Program/Erase Controller simplifies the process of programming or erasing the memory by taking care of all of the special operations that are required to update the memory contents. The end of a program or erase operation can be detected and any error conditions identified. The command set required to control the memory is consistent with JEDEC standards.

Two different bus interfaces are supported by the memory. The primary interface, the Firmware Hub (or FWH) Interface, uses Intel's proprietary FWH protocol. This has been designed to remove the need for the ISA bus in current PC Chipsets; the

Figure 3. PLCC Connections



Note: Pins 27 and 28 are not internally connected.

M50FW040 acts as the PC BIOS on the Low Pin Count bus for these PC Chipsets.

The secondary interface, the Address/Address Multiplexed (or A/A Mux) Interface, is designed to be compatible with current Flash Programmers for production line programming prior to fitting to a PC Motherboard.

The memory is offered in TSOP40 (10 x 20mm) and PLCC32 packages and it is supplied with all the bits erased (set to '1').

SIGNAL DESCRIPTIONS

There are two different bus interfaces available on this part. The active interface is selected before power-up or during Reset using the Interface Configuration Pin, IC.

The signals for each interface are discussed in the Firmware Hub (FWH) Signal Descriptions section and the Address/Address Multiplexed (A/A Mux) Signal Descriptions section below. The supply signals are discussed in the Supply Signal Descriptions section below.

Firmware Hub (FWH) Signal Descriptions

For the Firmware Hub (FWH) Interface see Figure 1, Logic Diagram, and Table 1, Signal Names.

Table 1. Signal Names (FWH Interface)

| | |
|-------------------|---|
| FWH0-FWH3 | Input/Output Communications |
| FWH4 | Input Communication Frame |
| ID0-ID3 | Identification Inputs |
| FGPI0-FGPI4 | General Purpose Inputs |
| IC | Interface Configuration |
| \overline{RP} | Interface Reset |
| \overline{INIT} | CPU Reset |
| CLK | Clock |
| \overline{TBL} | Top Block Lock |
| \overline{WP} | Write Protect |
| RFU | Reserved for Future Use. Leave disconnected |
| VCC | Supply Voltage |
| VPP | Optional Supply Voltage for Fast Erase Operations |
| VSS | Ground |
| NC | Not Connected Internally |

Figure 4. TSOP Connections

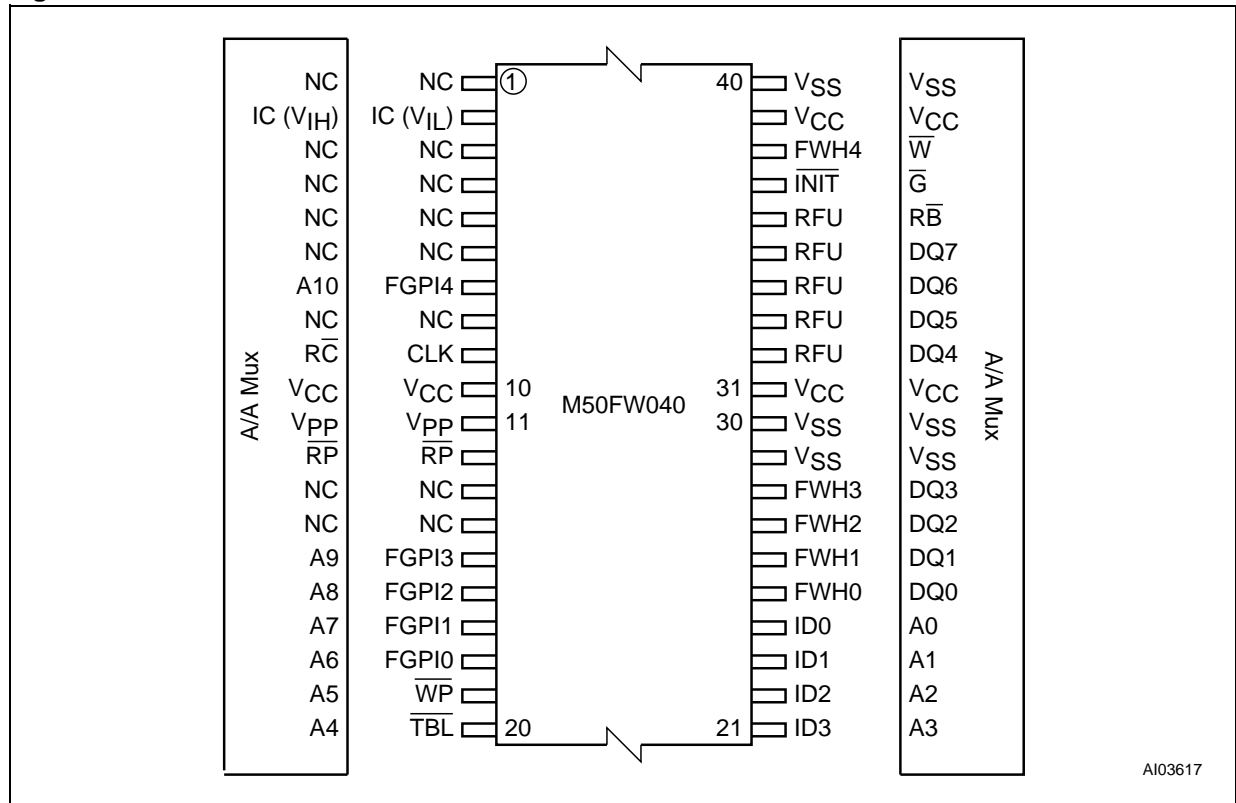


Table 2. Signal Names (A/A Mux Interface)

| | |
|-----------------|---|
| IC | Interface Configuration |
| A0-A10 | Address Inputs |
| DQ0-DQ7 | Data Inputs/Outputs |
| \overline{G} | Output Enable |
| \overline{W} | Write Enable |
| \overline{RC} | Row/Column Address Select |
| \overline{RB} | Ready/Busy Output |
| \overline{RP} | Interface Reset |
| V _{CC} | Supply Voltage |
| V _{PP} | Optional Supply Voltage for Fast Erase Operations |
| V _{SS} | Ground |
| NC | Not Connected Internally |

Input/Output Communications (FWH0-FWH3). All Input and Output Communication with the memory take place on these pins. Addresses and Data for Bus Read and Bus Write operations are encoded on these pins.

Input Communication Frame (FWH4). The Input Communication Frame (FWH4) signals the start of a bus operation. When Input Communication Frame is Low, V_{IL}, on the rising edge of the Clock a new bus operation is initiated. If Input Communication Frame is Low, V_{IL}, during a bus operation then the operation is aborted. When Input Communication Frame is High, V_{IH}, the current bus operation is proceeding or the bus is idle.

Identification Inputs (ID0-ID3). The Identification Inputs select the address that the memory responds to. Up to 16 memories can be addressed on a bus. For an address bit to be '0' the pin can be left floating or driven Low, V_{IL}; an internal pull-down resistor is included with a value of R_{IL}. For an address bit to be '1' the pin must be driven High, V_{IH}; there will be a leakage current of I_{LI2} through each pin when pulled to V_{IH}; see Table 19. By convention the boot memory must have address '0000' and all additional memories take sequential addresses starting from '0001'.

General Purpose Inputs (FGPI0-FGPI4). The General Purpose Inputs can be used as digital inputs for the CPU to read. The General Purpose Inputs Register holds the values on these pins. The pins must have stable data from before the start of the cycle that reads the General Purpose Input Register until after the cycle is complete. These pins must not be left to float, they should be driven Low, V_{IL}, or High, V_{IH}.

Interface Configuration (IC). The Interface Configuration input selects whether the Firmware Hub (FWH) or the Address/Address Multiplexed (A/A Mux) Interface is used. The chosen interface must be selected before power-up or during a Reset and, thereafter, cannot be changed. The state of the Interface Configuration, IC, should not be changed during operation.

To select the Firmware Hub (FWH) Interface the Interface Configuration pin should be left to float or driven Low, V_{IL}; to select the Address/Address Multiplexed (A/A Mux) Interface the pin should be driven High, V_{IH}. An internal pull-down resistor is included with a value of R_{IL}; there will be a leakage current of I_{LI2} through each pin when pulled to V_{IH}; see Table 19.

Interface Reset (\overline{RP}). The Interface Reset (\overline{RP}) input is used to reset the memory. When Interface Reset (\overline{RP}) is set Low, V_{IL}, the memory is in Reset mode: the outputs are put to high impedance and the current consumption is minimized. When \overline{RP} is set High, V_{IH}, the memory is in normal operation. After exiting Reset mode, the memory enters Read mode.

CPU Reset (\overline{INIT}). The CPU Reset, \overline{INIT} , pin is used to Reset the memory when the CPU is reset. It behaves identically to Interface Reset, \overline{RP} , and the internal Reset line is the logical OR (electrical AND) of \overline{RP} and \overline{INIT} .

Clock (CLK). The Clock, CLK, input is used to clock the signals in and out of the Input/Output Communication Pins, FWH0-FWH3. The Clock conforms to the PCI specification.

Top Block Lock (\overline{TBL}). The Top Block Lock input is used to prevent the Top Block (Block 7) from being changed. When Top Block Lock, \overline{TBL} , is set Low, V_{IL}, Program and Erase operations in the Top Block have no effect, regardless of the state of the Lock Register. When Top Block Lock, \overline{TBL} , is set High, V_{IH}, the protection of the Block is determined by the Lock Register. The state of Top Block Lock, \overline{TBL} , does not affect the protection of the Main Blocks (Blocks 0 to 6).

Top Block Lock, \overline{TBL} , must be set prior to a Program or Erase operation is initiated and must not be changed until the operation completes or unpredictable results may occur. Care should be taken to avoid unpredictable behavior by changing \overline{TBL} during Program or Erase Suspend.

Write Protect (WP). The Write Protect input is used to prevent the Main Blocks (Blocks 0 to 6) from being changed. When Write Protect, \overline{WP} , is set Low, V_{IL}, Program and Erase operations in the Main Blocks have no effect, regardless of the state of the Lock Register. When Write Protect, \overline{WP} , is set High, V_{IH}, the protection of the Block determined by the Lock Register. The state of Write

Table 3. Absolute Maximum Ratings ⁽¹⁾

| Symbol | Parameter | Value | Unit |
|--------------------------------|--|-------------------------------|------|
| T _A | Ambient Operating Temperature (Temperature Range Option 1) | 0 to 70 | °C |
| | Ambient Operating Temperature (Temperature Range Option 5) | -20 to 85 | °C |
| T _{BIAS} | Temperature Under Bias | -50 to 125 | °C |
| T _{STG} | Storage Temperature | -65 to 150 | °C |
| V _{IO} ⁽²⁾ | Input or Output Voltage | -0.6 to V _{CC} + 0.6 | V |
| V _{CC} | Supply Voltage | -0.6 to 4 | V |
| V _{PP} | Program Voltage | -0.6 to 13 | V |

Note: 1. Except for the rating "Operating Temperature Range", stresses above those listed in the Table "Absolute Maximum Ratings" may cause permanent damage to the device. These are stress ratings only and operation of the device at these or any other conditions above those indicated in the Operating sections of this specification is not implied. Exposure to Absolute Maximum Rating conditions for extended periods may affect device reliability. Refer also to the STMicroelectronics SURE Program and other relevant quality documents.

2. Minimum Voltage may undershoot to -2V and for less than 20ns during transitions. Maximum Voltage may overshoot to V_{CC} + 2V and for less than 20ns during transitions.

Protect, \overline{WP} , does not affect the protection of the Top Block (Block 7).

Write Protect, \overline{WP} , must be set prior to a Program or Erase operation is initiated and must not be changed until the operation completes or unpredictable results may occur. Care should be taken to avoid unpredictable behavior by changing \overline{WP} during Program or Erase Suspend.

Reserved for Future Use (RFU). These pins do not have assigned functions in this revision of the part. They must be left disconnected.

Address/Address Multiplexed (A/A Mux) Signal Descriptions

For the Address/Address Multiplexed (A/A Mux) Interface see Figure 2, Logic Diagram, and Table 2, Signal Names.

Address Inputs (A0-A10). The Address Inputs are used to set the Row Address bits (A0-A10) and the Column Address bits (A11-A18). They are latched during any bus operation by the Row/Column Address Select input, \overline{RC} .

Data Inputs/Outputs (DQ0-DQ7). The Data Inputs/Outputs hold the data that is written to or read from the memory. They output the data stored at the selected address during a Bus Read operation. During Bus Write operations they represent the commands sent to the Command Interface of the internal state machine. The Data Inputs/Outputs, DQ0-DQ7, are latched during a Bus Write operation.

Output Enable (\overline{G}). The Output Enable, \overline{G} , controls the Bus Read operation of the memory.

Write Enable (\overline{W}). The Write Enable, \overline{W} , controls the Bus Write operation of the memory's Command Interface.

Row/Column Address Select (\overline{RC}). The Row/Column Address Select input selects whether the

Address Inputs should be latched into the Row Address bits (A0-A10) or the Column Address bits (A11-A18). The Row Address bits are latched on the falling edge of \overline{RC} whereas the Column Address bits are latched on the rising edge.

Ready/Busy Output (\overline{RB}). The Ready/Busy pin gives the status of the memory's Program/Erase Controller. When Ready/Busy is Low, V_{OL}, the memory is busy with a Program or Erase operation and it will not accept any additional Program or Erase command except the Program/Erase Suspend command. When Ready/Busy is High, V_{OH}, the memory is ready for any Read, Program or Erase operation.

Supply Signal Descriptions

The Supply Signals are the same for both interfaces.

V_{CC} Supply Voltage. The V_{CC} Supply Voltage supplies the power for all operations (Read, Program, Erase etc.).

The Command Interface is disabled when the V_{CC} Supply Voltage is less than the Lockout Voltage, V_{LKO}. This prevents Bus Write operations from accidentally damaging the data during power up, power down and power surges. If the Program/Erase Controller is programming or erasing during this time then the operation aborts and the memory contents being altered will be invalid. After V_{CC} becomes valid the Command Interface is reset to Read mode.

A 0.1μF capacitor should be connected between the V_{CC} Supply Voltage pins and the V_{SS} Ground pin to decouple the current surges from the power supply. Both V_{CC} Supply Voltage pins must be connected to the power supply. The PCB track widths must be sufficient to carry the currents required during program and erase operations.

V_{PP} Optional Supply Voltage. The V_{PP} Optional Supply Voltage pin is used to select the Fast Erase

Table 4. Block Addresses

| Size (Kbytes) | Address Range | Block Number | Block Type |
|---------------|---------------|--------------|------------|
| 64 | 70000h-7FFFFh | 7 | Top Block |
| 64 | 60000h-6FFFFh | 6 | Main Block |
| 64 | 50000h-5FFFFh | 5 | Main Block |
| 64 | 40000h-4FFFFh | 4 | Main Block |
| 64 | 30000h-3FFFFh | 3 | Main Block |
| 64 | 20000h-2FFFFh | 2 | Main Block |
| 64 | 10000h-1FFFFh | 1 | Main Block |
| 64 | 00000h-0FFFFh | 0 | Main Block |

option of the memory and to protect the memory. When $V_{PP} < V_{PPLK}$ Program and Erase operations cannot be performed and an error is reported in the Status Register if an attempt to change the memory contents is made. When $V_{PP} = V_{CC}$ Program and Erase operations take place as normal. When $V_{PP} = V_{PPH}$ Fast Erase operations are used. Any other voltage input to V_{PP} will result in undefined behavior and should not be used.

V_{PP} should not be set to V_{PPH} for more than 80 hours during the life of the memory.

V_{SS} Ground. V_{SS} is the reference for all the voltage measurements.

BUS OPERATIONS

The two interfaces have similar bus operations but the signals and timings are completely different. The Firmware Hub (FWH) Interface is the usual interface and all of the functionality of the part is available through this interface. Only a subset of functions are available through the Address/Address Multiplexed (A/A Mux) Interface.

Follow the section Firmware Hub (FWH) Bus Operations below and the section Address/Address Multiplexed (A/A Mux) Interface Bus Operations below for a description of the bus operations on each interface.

Firmware Hub (FWH) Bus Operations

The Firmware Hub (FWH) Interface consists of four data signals (FWH0-FWH3), one control line (FWH4) and a clock (CLK). In addition protection against accidental or malicious data corruption can be achieved using two further signals (\overline{TBL} and \overline{WP}). Finally two reset signals (\overline{RP} and \overline{INIT}) are available to put the memory into a known state.

The data signals, control signal and clock are designed to be compatible with PCI electrical speci-

fications. The interface operates with clock speeds up to 33MHz.

The following operations can be performed using the appropriate bus cycles: Bus Read, Bus Write, Standby, Reset and Block Protection.

Bus Read. Bus Read operations read from the memory cells, specific registers in the Command Interface or Firmware Hub Registers. A valid Bus Read operation starts when Input Communication Frame, FWH4, is Low, V_{IL} , as Clock rises and the correct Start cycle is on FWH0-FWH3. On the following clock cycles the Host will send the Memory ID Select, Address and other control bits on FWH0-FWH3. The memory responds by outputting Sync data until the wait-states have elapsed followed by Data0-Data3 and Data4-Data7.

Refer to Table 5, FWH Bus Read Field Definitions, and Figure 5, FWH Bus Read Waveforms, for a description of the Field definitions for each clock cycle of the transfer. See Table 21, FWH Interface AC Signal Timing Characteristics and Figure 10, FWH Interface AC Signal Timing Waveforms, for details on the timings of the signals.

Bus Write. Bus Write operations write to the Command Interface or Firmware Hub Registers. A valid Bus Write operation starts when Input Communication Frame, FWH4, is Low, V_{IL} , as Clock rises and the correct Start cycle is on FWH0-FWH3. On the following Clock cycles the Host will send the Memory ID Select, Address, other control bits, Data0-Data3 and Data4-Data7 on FWH0-FWH3. The memory outputs Sync data until the wait-states have elapsed.

Refer to Table 6, FWH Bus Write Field Definitions, and Figure 6, FWH Bus Write Waveforms, for a description of the Field definitions for each clock cycle of the transfer. See Table 21, FWH Interface AC Signal Timing Characteristics and Figure 10, FWH Interface AC Signal Timing Waveforms, for details on the timings of the signals.

Bus Abort. The Bus Abort operation can be used to immediately abort the current bus operation. A Bus Abort occurs when FWH4 is driven Low, V_{IL} , during the bus operation; the memory will tri-state the Input/Output Communication pins, FWH0-FWH3.

Note that, during a Bus Write operation, the Command Interface starts executing the command as soon as the data is fully received; a Bus Abort during the final TAR cycles is not guaranteed to abort the command; the bus, however, will be released immediately.

Standby. When FWH4 is High, V_{IH} , the memory is put into Standby mode where FWH0-FWH3 are

Table 5. FWH Bus Read Field Definitions

| Clock Cycle Number | Clock Cycle Count | Field | FWH0-FWH3 | Memory I/O | Description |
|--------------------|-------------------|-------|---------------|------------|---|
| 1 | 1 | START | 1101b | I | On the rising edge of CLK with FWH4 Low, the contents of FWH0-FWH3 indicate the start of a FWH Read cycle. |
| 2 | 1 | IDSEL | XXXX | I | Indicates which FWH Flash Memory is selected. The value on FWH0-FWH3 is compared to the IDSEL strapping on the FWH Flash Memory pins to select which FWH Flash Memory is being addressed. |
| 3-9 | 7 | ADDR | XXXX | I | A 28-bit address phase is transferred starting with the most significant nibble first. |
| 10 | 1 | MSIZE | 0000b | I | Always 0000b (only single byte transfers are supported). |
| 11 | 1 | TAR | 1111b | I | The host drives FWH0-FWH3 to 1111b to indicate a turnaround cycle. |
| 12 | 1 | TAR | 1111b (float) | O | The FWH Flash Memory takes control of FWH0-FWH3 during this cycle. |
| 13-14 | 2 | WSYNC | 0101b | O | The FWH Flash Memory drives FWH0-FWH3 to 0101b (short wait-sync) for two clock cycles, indicating that the data is not yet available. Two wait-states are always included. |
| 15 | 1 | RSYNC | 0000b | O | The FWH Flash Memory drives FWH0-FWH3 to 0000b, indicating that data will be available during the next clock cycle. |
| 16-17 | 2 | DATA | XXXX | O | Data transfer is two CLK cycles, starting with the least significant nibble. |
| 18 | 1 | TAR | 1111b | O | The FWH Flash Memory drives FWH0-FWH3 to 1111b to indicate a turnaround cycle. |
| 19 | 1 | TAR | 1111b (float) | N/A | The FWH Flash Memory floats its outputs, the host takes control of FWH0-FWH3. |

Figure 5. FWH Bus Read Waveforms

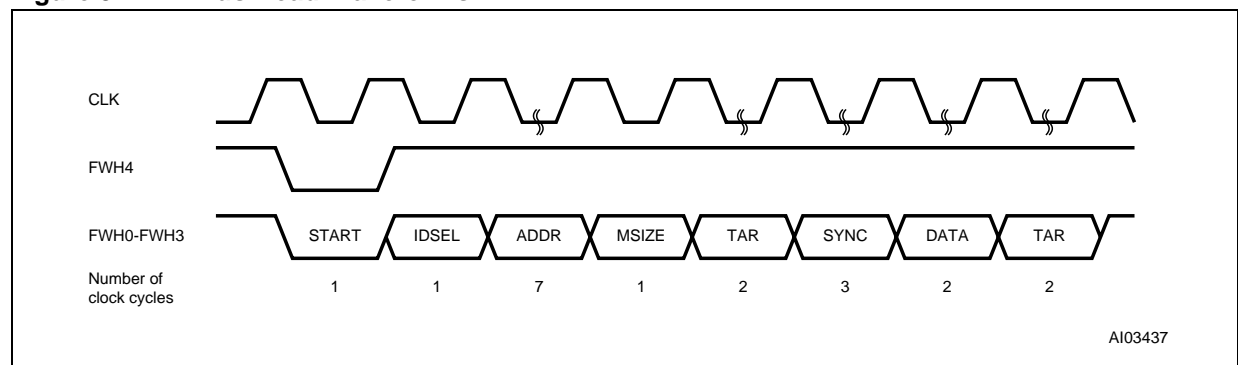
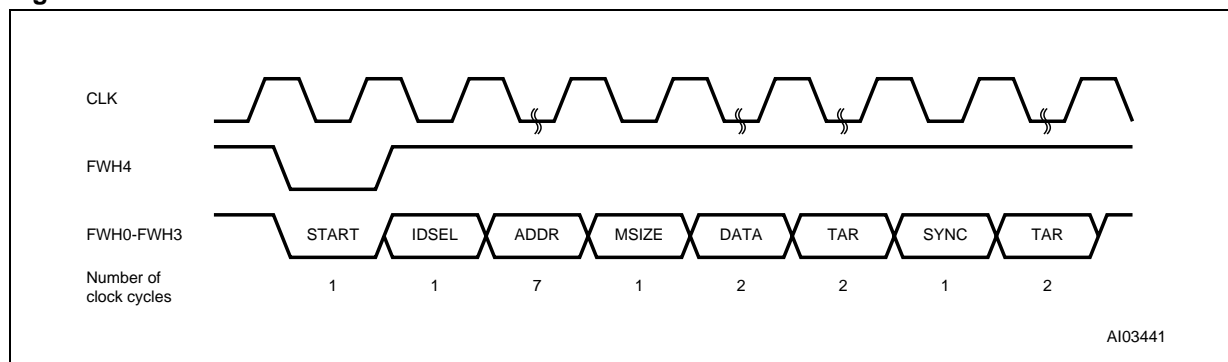


Table 6. FWH Bus Write Field Definitions

| Clock Cycle Number | Clock Cycle Count | Field | FWH0-FWH3 | Memory I/O | Description |
|--------------------|-------------------|-------|---------------|------------|---|
| 1 | 1 | START | 1110b | I | On the rising edge of CLK with FWH4 Low, the contents of FWH0-FWH3 indicate the start of a FWH Write Cycle. |
| 2 | 1 | IDSEL | XXXX | I | Indicates which FWH Flash Memory is selected. The value on FWH0-FWH3 is compared to the IDSEL strapping on the FWH Flash Memory pins to select which FWH Flash Memory is being addressed. |
| 3-9 | 7 | ADDR | XXXX | I | A 28-bit address phase is transferred starting with the most significant nibble first. |
| 10 | 1 | MSIZE | 0000b | I | Always 0000b (single byte transfer). |
| 11-12 | 2 | DATA | XXXX | I | Data transfer is two cycles, starting with the least significant nibble. |
| 13 | 1 | TAR | 1111b | I | The host drives FWH0-FWH3 to 1111b to indicate a turnaround cycle. |
| 14 | 1 | TAR | 1111b (float) | O | The FWH Flash Memory takes control of FWH0-FWH3 during this cycle. |
| 15 | 1 | SYNC | 0000b | O | The FWH Flash Memory drives FWH0-FWH3 to 0000b, indicating it has received data or a command. |
| 16 | 1 | TAR | 1111b | O | The FWH Flash Memory drives FWH0-FWH3 to 1111b, indicating a turnaround cycle. |
| 17 | 1 | TAR | 1111b (float) | N/A | The FWH Flash Memory floats its outputs and the host takes control of FWH0-FWH3. |

Figure 6. FWH Bus Write Waveforms



put into a high-impedance state and the Supply Current is reduced to the Standby level, I_{CC1} .

Reset. During Reset mode all internal circuits are switched off, the memory is deselected and the outputs are put in high-impedance. The memory is in Reset mode when Interface Reset, \overline{RP} , or CPU Reset, \overline{INIT} , is Low, V_{IL} . \overline{RP} or \overline{INIT} must be held Low, V_{IL} , for t_{PLPH} . The memory resets to Read mode upon return from Reset mode and the Lock Registers return to their default states regardless of their state before Reset, see Table 14. If \overline{RP} or

\overline{INIT} goes Low, V_{IL} , during a Program or Erase operation, the operation is aborted and the memory cells affected no longer contain valid data; the memory can take up to t_{PLRH} to abort a Program or Erase operation.

Block Protection. Block Protection can be forced using the signals Top Block Lock, \overline{TBL} , and Write Protect, WP , regardless of the state of the Lock Registers.

Table 7. A/A Mux Bus Operations

| Operation | \overline{G} | \overline{W} | \overline{RP} | V_{PP} | DQ7-DQ0 |
|----------------|----------------------|----------------------|-----------------|-----------------------|-------------|
| Bus Read | V_{IL} | V_{IH} | V_{IH} | Don't Care | Data Output |
| Bus Write | V_{IH} | V_{IL} | V_{IH} | V_{CC} or V_{PPH} | Data Input |
| Output Disable | V_{IH} | V_{IH} | V_{IH} | Don't Care | Hi-Z |
| Reset | V_{IL} or V_{IH} | V_{IL} or V_{IH} | V_{IL} | Don't Care | Hi-Z |

Table 8. Manufacturer and Device Codes

| Operation | \overline{G} | \overline{W} | \overline{RP} | A18-A1 | A0 | DQ7-DQ0 |
|-------------------|----------------|----------------|-----------------|----------|----------|---------|
| Manufacturer Code | V_{IL} | V_{IH} | V_{IH} | V_{IL} | V_{IL} | 20h |
| Device Code | V_{IL} | V_{IH} | V_{IH} | V_{IL} | V_{IH} | 2Ch |

Address/Address Multiplexed (A/A Mux) Bus Operations

The Address/Address Multiplexed (A/A Mux) Interface has a more traditional style interface. The signals consist of a multiplexed address signals (A0-A10), data signals, (DQ0-DQ7) and three control signals (\overline{RC} , \overline{G} , \overline{W}). An additional signal, \overline{RP} , can be used to reset the memory.

The Address/Address Multiplexed (A/A Mux) Interface is included for use by Flash Programming equipment for faster factory programming. Only a subset of the features available to the Firmware Hub (FWH) Interface are available; these include all the Commands but exclude the Security features and other registers.

The following operations can be performed using the appropriate bus cycles: Bus Read, Bus Write, Output Disable and Reset.

When the Address/Address Multiplexed (A/A Mux) Interface is selected all the blocks are unprotected. It is not possible to protect any blocks through this interface.

Bus Read. Bus Read operations are used to output the contents of the Memory Array, the Electronic Signature and the Status Register. A valid Bus Read operation begins by latching the Row Address and Column Address signals into the memory using the Address Inputs, A0-A10, and the Row/Column Address Select \overline{RC} . Then Write Enable (\overline{W}) and Interface Reset (\overline{RP}) must be

High, V_{IH} , and Output Enable, \overline{G} , Low, V_{IL} , in order to perform a Bus Read operation. The Data Inputs/Outputs will output the value, see Figure 12, A/A Mux Interface Read AC Waveforms, and Table 23, A/A Mux Interface Read AC Characteristics, for details of when the output becomes valid.

Bus Write. Bus Write operations write to the Command Interface. A valid Bus Write operation begins by latching the Row Address and Column Address signals into the memory using the Address Inputs, A0-A10, and the Row/Column Address Select \overline{RC} . The data should be set up on the Data Inputs/Outputs; Output Enable, \overline{G} , and Interface Reset, \overline{RP} , must be High, V_{IH} and Write Enable, \overline{W} , must be Low, V_{IL} . The Data Inputs/Outputs are latched on the rising edge of Write Enable, \overline{W} . See Figure 13, A/A Mux Interface Write AC Waveforms, and Table 24, A/A Mux Interface Write AC Characteristics, for details of the timing requirements.

Output Disable. The data outputs are high-impedance when the Output Enable, \overline{G} , is at V_{IH} .

Reset. During Reset mode all internal circuits are switched off, the memory is deselected and the outputs are put in high-impedance. The memory is in Reset mode when \overline{RP} is Low, V_{IL} . \overline{RP} must be held Low, V_{IL} for t_{PLPH} . If \overline{RP} is goes Low, V_{IL} , during a Program or Erase operation, the operation is aborted and the memory cells affected no longer contain valid data; the memory can take up to t_{PLRH} to abort a Program or Erase operation.

COMMAND INTERFACE

All Bus Write operations to the memory are interpreted by the Command Interface. Commands consist of one or more sequential Bus Write operations.

After power-up or a Reset operation the memory enters Read mode.

The commands are summarized in Table 10, Commands. Refer to Table 10 in conjunction with the text descriptions below.

Read Memory Array Command. The Read Memory Array command returns the memory to its Read mode where it behaves like a ROM or EPROM. One Bus Write cycle is required to issue the Read Memory Array command and return the memory to Read mode. Once the command is issued the memory remains in Read mode until another command is issued. From Read mode Bus Read operations will access the memory array.

While the Program/Erase Controller is executing a Program or Erase operation the memory will not accept the Read Memory Array command until the operation completes.

Read Status Register Command. The Read Status Register command is used to read the Status Register. One Bus Write cycle is required to issue the Read Status Register command. Once the command is issued subsequent Bus Read operations read the Status Register until another command is issued. See the section on the Status Register for details on the definitions of the Status Register bits.

Read Electronic Signature Command. The Read Electronic Signature command is used to read the Manufacturer Code and the Device Code. One Bus Write cycle is required to issue the Read Electronic Signature command. Once the command is issued subsequent Bus Read operations read the Manufacturer Code or the Device Code until another command is issued.

After the Read Electronic Signature Command is issued the Manufacturer Code and Device Code can be read using Bus Read operations using the addresses in Table 9.

Program Command. The Program command can be used to program a value to one address in the memory array at a time. Two Bus Write operations are required to issue the command; the second Bus Write cycle latches the address and data in the internal state machine and starts the Program/Erase Controller. Once the command is issued subsequent Bus Read operations read the Status Register. See the section on the Status Register for details on the definitions of the Status Register bits.

If the address falls in a protected block then the Program operation will abort, the data in the mem-

Table 9. Read Electronic Signature

| Code | Address | Data |
|-------------------|---------|------|
| Manufacturer Code | 00000h | 20h |
| Device Code | 00001h | 2Ch |

ory array will not be changed and the Status Register will output the error.

During the Program operation the memory will only accept the Read Status Register command and the Program/Erase Suspend command. All other commands will be ignored. Typical Program times are given in Table 11.

Note that the Program command cannot change a bit set at '0' back to '1' and attempting to do so will not cause any modification on its value. The Erase command must be used to set all of the bits in the block to '1'.

See Figure 14, Program Flowchart and Pseudo Code, for a suggested flowchart on using the Program command.

Erase Command. The Erase command can be used to erase a block. Two Bus Write operations are required to issue the command; the second Bus Write cycle latches the block address in the internal state machine and starts the Program/Erase Controller. Once the command is issued subsequent Bus Read operations read the Status Register. See the section on the Status Register for details on the definitions of the Status Register bits.

If the block is protected then the Erase operation will abort, the data in the block will not be changed and the Status Register will output the error.

During the Erase operation the memory will only accept the Read Status Register command and the Program/Erase Suspend command. All other commands will be ignored. Typical Erase times are given in Table 11.

The Erase command sets all of the bits in the block to '1'. All previous data in the block is lost.

See Figure 16, Erase Flowchart and Pseudo Code, for a suggested flowchart on using the Erase command.

Clear Status Register Command. The Clear Status Register command can be used to reset bits 1, 3, 4 and 5 in the Status Register to '0'. One Bus Write is required to issue the Clear Status Register command. Once the command is issued the memory returns to its previous mode, subsequent Bus Read operations continue to output the same data. The bits in the Status Register are sticky and do not automatically return to '0' when a new Program or Erase command is issued. If an error occurs then it is essential to clear any error bits in the Status Register by issuing the Clear Status Register command before attempting a new Program or Erase command.

Table 10. Commands

| Command | Cycles | Bus Write Operations | | | |
|---------------------------|--------|----------------------|------|---------|------|
| | | 1st | | 2nd | |
| | | Address | Data | Address | Data |
| Read Memory Array | 1 | X | FFh | | |
| Read Status Register | 1 | X | 70h | | |
| Read Electronic Signature | 1 | X | 90h | | |
| | 1 | X | 98h | | |
| Program | 2 | X | 40h | PA | PD |
| | 2 | X | 10h | PA | PD |
| Erase | 2 | X | 20h | BA | D0h |
| Clear Status Register | 1 | X | 50h | | |
| Program/Erase Suspend | 1 | X | B0h | | |
| Program/Erase Resume | 1 | X | D0h | | |
| Invalid/Reserved | 1 | X | 00h | | |
| | 1 | X | 01h | | |
| | 1 | X | 60h | | |
| | 1 | X | 2Fh | | |
| | 1 | X | C0h | | |

Note: X Don't Care, PA Program Address, PD Program Data, BA Any address in the Block.

Read Memory Array. After a Read Memory Array command, read the memory as normal until another command is issued.

Read Status Register. After a Read Status Register command, read the Status Register as normal until another command is issued.

Read Electronic Signature. After a Read Electronic Signature command, read Manufacturer Code, Device Code until another command is issued.

Erase, Program. After these commands read the Status Register until the command completes and another command is issued.

Clear Status Register. After the Clear Status Register command bits 1, 3, 4 and 5 in the Status Register are reset to '0'.

Program/Erase Suspend. After the Program/Erase Suspend command has been accepted, issue Read Memory Array, Read Status Register, Program (during Erase suspend) and Program/Erase resume commands.

Program/Erase Resume. After the Program/Erase Resume command the suspended Program/Erase operation resumes, read the Status Register until the Program/Erase Controller completes and the memory returns to Read Mode.

Invalid/Reserved. Do not use Invalid or Reserved commands.

Program/Erase Suspend Command. The Program/Erase Suspend command can be used to pause a Program or Erase operation. One Bus Write cycle is required to issue the Program/Erase Suspend command and pause the Program/Erase Controller. Once the command is issued it is necessary to poll the Program/Erase Controller Status bit to find out when the Program/Erase Controller has paused; no other commands will be accepted until the Program/Erase Controller has paused. After the Program/Erase Controller has paused, the memory will continue to output the Status Register until another command is issued.

During the polling period between issuing the Program/Erase Suspend command and the Program/Erase Controller pausing it is possible for the operation to complete. Once Program/Erase Controller Status bit indicates that the Program/Erase Controller is no longer active, the Program Suspend Status bit or the Erase Suspend Status bit can be used to determine if the operation has completed or is suspended. For timing on the delay between issuing the Program/Erase Suspend

command and the Program/Erase Controller pausing see Table 11.

During Program/Erase Suspend the Read Memory Array, Read Status Register, Read Electronic Signature and Program/Erase Resume commands will be accepted by the Command Interface. Additionally, if the suspended operation was Erase then the Program command will also be accepted; only the blocks not being erased may be read or programmed correctly.

See Figures 15, Program Suspend & Resume Flowchart and Pseudo Code, and 17, Erase Suspend & Resume Flowchart and Pseudo Code, for suggested flowcharts on using the Program/Erase Suspend command.

Program/Erase Resume Command. The Program/Erase Resume command can be used to restart the Program/Erase Controller after a Program/Erase Suspend operation has paused it. One Bus Write cycle is required to issue the Program/Erase Resume command. Once the command is issued subsequent Bus Read operations read the Status Register.

Table 11. Program and Erase Times
($T_A = 0$ to 70°C or -20 to 85°C ; $V_{CC} = 3.0$ to 3.6V)

| Parameter | Test Condition | Min | Typ ⁽¹⁾ | Max | Unit |
|---|-------------------------------|-----|--------------------|-----|---------------|
| Byte Program | | | 10 | 200 | μs |
| Block Program | | | 0.4 | 5 | sec |
| Block Erase | $V_{PP} = 12\text{V} \pm 5\%$ | | 0.75 | 8 | sec |
| | $V_{PP} = V_{CC}$ | | 1 | 10 | sec |
| Program/Erase Suspend to Program pause ⁽²⁾ | | | | 5 | μs |
| Program/Erase Suspend to Block Erase pause ⁽²⁾ | | | | 30 | μs |

Note: 1. $T_A = 25^\circ\text{C}$, $V_{CC} = 3.3\text{V}$

2. Sampled only, not 100% tested.

STATUS REGISTER

The Status Register provides information on the current or previous Program or Erase operation. Different bits in the Status Register convey different information and errors on the operation.

To read the Status Register the Read Status Register command can be issued. The Status Register is automatically read after Program, Erase and Program/Erase Resume commands are issued. The Status Register can be read from any address.

The Status Register bits are summarized in Table 12, Status Register Bits. Refer to Table 12 in conjunction with the text descriptions below.

Program/Erase Controller Status (Bit 7). The Program/Erase Controller Status bit indicates whether the Program/Erase Controller is active or inactive. When the Program/Erase Controller Status bit is '0', the Program/Erase Controller is active; when the bit is '1', the Program/Erase Controller is inactive.

The Program/Erase Controller Status is '0' immediately after a Program/Erase Suspend command is issued until the Program/Erase Controller pauses. After the Program/Erase Controller pauses the bit is '1'.

During Program and Erase operation the Program/Erase Controller Status bit can be polled to find the end of the operation. The other bits in the Status Register should not be tested until the Program/Erase Controller completes the operation and the bit is '1'.

After the Program/Erase Controller completes its operation the Erase Status, Program Status, V_{PP} Status and Block Protection Status bits should be tested for errors.

Erase Suspend Status (Bit 6). The Erase Suspend Status bit indicates that an Erase operation has been suspended and is waiting to be resumed. The Erase Suspend Status should only be considered valid when the Program/Erase Con-

troller Status bit is '1' (Program/Erase Controller inactive); after a Program/Erase Suspend command is issued the memory may still complete the operation rather than entering the Suspend mode.

When the Erase Suspend Status bit is '0' the Program/Erase Controller is active or has completed its operation; when the bit is '1' a Program/Erase Suspend command has been issued and the memory is waiting for a Program/Erase Resume command.

When a Program/Erase Resume command is issued the Erase Suspend Status bit returns to '0'.

Erase Status (Bit 5). The Erase Status bit can be used to identify if the memory has applied the maximum number of erase pulses to the block and still failed to verify that the block has erased correctly. The Erase Status bit should be read once the Program/Erase Controller Status bit is '1' (Program/Erase Controller inactive).

When the Erase Status bit is '0' the memory has successfully verified that the block has erased correctly; when the Erase Status bit is '1' the Program/Erase Controller has applied the maximum number of pulses to the block and still failed to verify that the block has erased correctly.

Once the Erase Status bit is set to '1' it can only be reset to '0' by a Clear Status Register command or a hardware reset. If it is set to '1' it should be reset before a new Program or Erase command is issued, otherwise the new command will appear to fail.

Program Status (Bit 4). The Program Status bit can be used to identify if the memory has applied the maximum number of program pulses to the byte and still failed to verify that the byte has programmed correctly. The Program Status bit should be read once the Program/Erase Controller Status bit is '1' (Program/Erase Controller inactive).

When the Program Status bit is '0' the memory has successfully verified that the byte has programmed correctly; when the Program Status bit is

Table 12. Status Register Bits

| Operation | Bit 7 | Bit 6 | Bit 5 | Bit 4 | Bit 3 | Bit 2 | Bit 1 |
|--|-------|------------------|-------|-------|-------|-------|-------|
| Program active | '0' | X ⁽¹⁾ | '0' | '0' | '0' | '0' | '0' |
| Program suspended | '1' | X ⁽¹⁾ | '0' | '0' | '0' | '1' | '0' |
| Program completed successfully | '1' | X ⁽¹⁾ | '0' | '0' | '0' | '0' | '0' |
| Program failure due to V _{PP} Error | '1' | X ⁽¹⁾ | '0' | '0' | '1' | '0' | '0' |
| Program failure due to Block Protection (FWH Interface only) | '1' | X ⁽¹⁾ | '0' | '0' | '0' | '0' | '1' |
| Program failure due to cell failure | '1' | X ⁽¹⁾ | '0' | '1' | '0' | '0' | '0' |
| Erase active | '0' | '0' | '0' | '0' | '0' | '0' | '0' |
| Erase suspended | '1' | '1' | '0' | '0' | '0' | '0' | '0' |
| Erase completed successfully | '1' | '0' | '0' | '0' | '0' | '0' | '0' |
| Erase failure due to V _{PP} Error | '1' | '0' | '0' | '0' | '1' | '0' | '0' |
| Erase failure due to Block Protection (FWH Interface only) | '1' | '0' | '0' | '0' | '0' | '0' | '1' |
| Erase failure due to failed cell(s) in block | '1' | '0' | '1' | '0' | '0' | '0' | '0' |

Note: 1. For Program operations during Erase Suspend Bit 6 is '1', otherwise Bit 6 is '0'.

'1' the Program/Erase Controller has applied the maximum number of pulses to the byte and still failed to verify that the byte has programmed correctly.

Once the Program Status bit is set to '1' it can only be reset to '0' by a Clear Status Register command or a hardware reset. If it is set to '1' it should be reset before a new Program or Erase command is issued, otherwise the new command will appear to fail.

V_{PP} Status (Bit 3). The V_{PP} Status bit can be used to identify an invalid voltage on the V_{PP} pin during Program and Erase operations. The V_{PP} pin is only sampled at the beginning of a Program or Erase operation. Indeterminate results can occur if V_{PP} becomes invalid during a Program or Erase operation.

When the V_{PP} Status bit is '0' the voltage on the V_{PP} pin was sampled at a valid voltage; when the V_{PP} Status bit is '1' the V_{PP} pin has a voltage that is below the V_{PP} Lockout Voltage, V_{PPLK}, the memory is protected; Program and Erase operation cannot be performed.

Once the V_{PP} Status bit set to '1' it can only be reset to '0' by a Clear Status Register command or a hardware reset. If it is set to '1' it should be reset before a new Program or Erase command is issued, otherwise the new command will appear to fail.

Program Suspend Status (Bit 2). The Program Suspend Status bit indicates that a Program operation has been suspended and is waiting to be resumed. The Program Suspend Status should only be considered valid when the Program/Erase

Controller Status bit is '1' (Program/Erase Controller inactive); after a Program/Erase Suspend command is issued the memory may still complete the operation rather than entering the Suspend mode.

When the Program Suspend Status bit is '0' the Program/Erase Controller is active or has completed its operation; when the bit is '1' a Program/Erase Suspend command has been issued and the memory is waiting for a Program/Erase Resume command.

When a Program/Erase Resume command is issued the Program Suspend Status bit returns to '0'.

Block Protection Status (Bit 1). The Block Protection Status bit can be used to identify if the Program or Erase operation has tried to modify the contents of a protected block. When the Block Protection Status bit is to '0' no Program or Erase operations have been attempted to protected blocks since the last Clear Status Register command or hardware reset; when the Block Protection Status bit is '1' a Program or Erase operation has been attempted on a protected block.

Once it is set to '1' the Block Protection Status bit can only be reset to '0' by a Clear Status Register command or a hardware reset. If it is set to '1' it should be reset before a new Program or Erase command is issued, otherwise the new command will appear to fail.

Using the A/A Mux Interface the Block Protection Status bit is always '0'.

Reserved (Bit 0). Bit 0 of the Status Register is reserved. Its value should be masked.

Table 13. Firmware Hub Register Configuration Map

| Mnemonic | Register Name | Memory Address | Default Value | Access |
|--------------|---|----------------|---------------|--------|
| T_BLOCK_LK | Top Block Lock Register (Block 7) | FBF0002h | 01h | R/W |
| T_MINUS01_LK | Top Block [-1] Lock Register (Block 6) | FBE0002h | 01h | R/W |
| T_MINUS02_LK | Top Block [-2] Lock Register (Block 5) | FBD0002h | 01h | R/W |
| T_MINUS03_LK | Top Block [-3] Lock Register (Block 4) | FBC0002h | 01h | R/W |
| T_MINUS04_LK | Top Block [-4] Lock Register (Block 3) | FBB0002h | 01h | R/W |
| T_MINUS05_LK | Top Block [-5] Lock Register (Block 2) | FBA0002h | 01h | R/W |
| T_MINUS06_LK | Top Block [-6] Lock Register (Block 1) | FB90002h | 01h | R/W |
| T_MINUS07_LK | Top Block [-7] Lock Register (Block 0) | FB80002h | 01h | R/W |
| FGPI_REG | Firmware Hub (FWH) General Purpose Input Register | FBC0100h | N/A | R |
| MANUF_REG | Manufacturer Code Register | FBC0000h | 20h | R |
| DEV_REG | Device Code Register | FBC0001h | 2Ch | R |

FIRMWARE HUB (FWH) INTERFACE CONFIGURATION REGISTERS

When the Firmware Hub Interface is selected several additional registers can be accessed. These registers control the protection status of the Blocks, read the General Purpose Input pins and identify the memory using the Electronic Signature codes. See Table 13 for the memory map of the Configuration Registers.

Lock Registers

The Lock Registers control the protection status of the Blocks. Each Block has its own Lock Register. Three bits within each Lock Register control the protection of each block, the Write Lock Bit, the Read Lock Bit and the Lock Down Bit.

The Lock Registers can be read and written, though care should be taken when writing as, once the Lock Down Bit is set, '1', further modifications to the Lock Register cannot be made until cleared, to '0', by a reset or power-up.

See Table 14 for details on the bit definitions of the Lock Registers.

Write Lock. The Write Lock Bit determines whether the contents of the Block can be modified (using the Program or Erase Command). When the Write Lock Bit is set, '1', the block is write protected; any operations that attempt to change the data in the block will fail and the Status Register will report the error. When the Write Lock Bit is reset, '0', the block is not write protected through the

Lock Register and may be modified unless write protected through some other means.

When V_{PP} is less than V_{PPLK} all blocks are protected and cannot be modified, regardless of the state of the Write Lock Bit. If Top Block Lock, TBL , is Low, V_{IL} , then the Top Block (Block 7) is write protected and cannot be modified. Similarly, if Write Protect, WP , is Low, V_{IL} , then the Main Blocks (Blocks 0 to 6) are write protected and cannot be modified.

After power-up or reset the Write Lock Bit is always set to '1' (write protected).

Read Lock. The Read Lock bit determines whether the contents of the Block can be read (from Read mode). When the Read Lock Bit is set, '1', the block is read protected; any operation that attempts to read the contents of the block will read 00h instead. When the Read Lock Bit is reset, '0', read operations in the Block return the data programmed into the block as expected.

After power-up or reset the Read Lock Bit is always reset to '0' (not read protected).

Lock Down. The Lock Down Bit provides a mechanism for protecting software data from simple hacking and malicious attack. When the Lock Down Bit is set, '1', further modification to the Write Lock, Read Lock and Lock Down Bits cannot be performed. A reset or power-up is required before changes to these bits can be made. When the Lock Down Bit is reset, '0', the Write Lock, Read Lock and Lock Down Bits can be changed.

Table 14. Lock Register Bit Definitions⁽¹⁾

| Bit | Bit Name | Value | Function |
|-----|------------|-------|---|
| 7-3 | | | Reserved |
| 2 | Read-Lock | '1' | Bus Read operations in this Block always return 00h. |
| | | '0' | Bus read operations in this Block return the Memory Array contents. (Default value). |
| 1 | Lock-Down | '1' | Changes to the Read-Lock bit and the Write-Lock bit cannot be performed. Once a '1' is written to the Lock-Down bit it cannot be cleared to '0'; the bit is always reset to '0' following a Reset (using RP or INIT) or after power-up. |
| | | '0' | Read-Lock and Write-Lock can be changed by writing new values to them. (Default value). |
| 0 | Write-Lock | '1' | Program and Erase operations in this Block will set an error in the Status Register. The memory contents will not be changed. (Default value). |
| | | '0' | Program and Erase operations in this Block are executed and will modify the Block contents. |

Note: 1. Applies to Top Block Lock Register (T_BLOCK_LK) and Top Block [-1] Lock Register (T_MINUS01_LK) to Top Block [-7] Lock Register (T_MINUS07_LK).

Table 15. General Purpose Inputs Register Definition⁽¹⁾

| Bit | Bit Name | Value | Function |
|-----|----------|-------|---------------------------------------|
| 7-5 | | | Reserved |
| 4 | FGPI4 | '1' | Input Pin FGPI4 is at V _{IH} |
| | | '0' | Input Pin FGPI4 is at V _{IL} |
| 3 | FGPI3 | '1' | Input Pin FGPI3 is at V _{IH} |
| | | '0' | Input Pin FGPI3 is at V _{IL} |
| 2 | FGPI2 | '1' | Input Pin FGPI2 is at V _{IH} |
| | | '0' | Input Pin FGPI2 is at V _{IL} |
| 1 | FGPI1 | '1' | Input Pin FGPI1 is at V _{IH} |
| | | '0' | Input Pin FGPI1 is at V _{IL} |
| 0 | FGPI0 | '1' | Input Pin FGPI0 is at V _{IH} |
| | | '0' | Input Pin FGPI0 is at V _{IL} |

Note: 1. Applies to the General Purpose Inputs Register (FGPI-REG).

Firmware Hub (FWH) General Purpose Input Register

The Firmware Hub (FWH) General Purpose Input Register holds the state of the Firmware Hub Interface General Purpose Input pins, FGPI0-FGPI4. When this register is read, the state of these pins is returned. This register is read-only and writing to it has no effect.

The signals on the Firmware Hub Interface General Purpose Input pins should remain constant throughout the whole Bus Read cycle in order to guarantee that the correct data is read.

Manufacturer Code Register

Reading the Manufacturer Code Register returns the manufacturer code for the memory. The manufacturer code for STMicroelectronics is 20h. This register is read-only and writing to it has no effect.

Device Code Register

Reading the Device Code Register returns the device code for the memory, 2Ch. This register is read-only and writing to it has no effect.

Table 16. FWH Interface AC Measurement Conditions

| Parameter | Value | Unit |
|---------------------------------------|---|------|
| V _{CC} Supply Voltage | 3.0 to 3.6 | V |
| Load Capacitance (C _L) | 10 | pF |
| Input Rise and Fall Times | ≤ 1.4 | ns |
| Input Pulse Voltages | 0.2 V _{CC} and 0.6 V _{CC} | V |
| Input and Output Timing Ref. Voltages | 0.4 V _{CC} | V |

Figure 7. FWH Interface AC Testing Input Output Waveforms

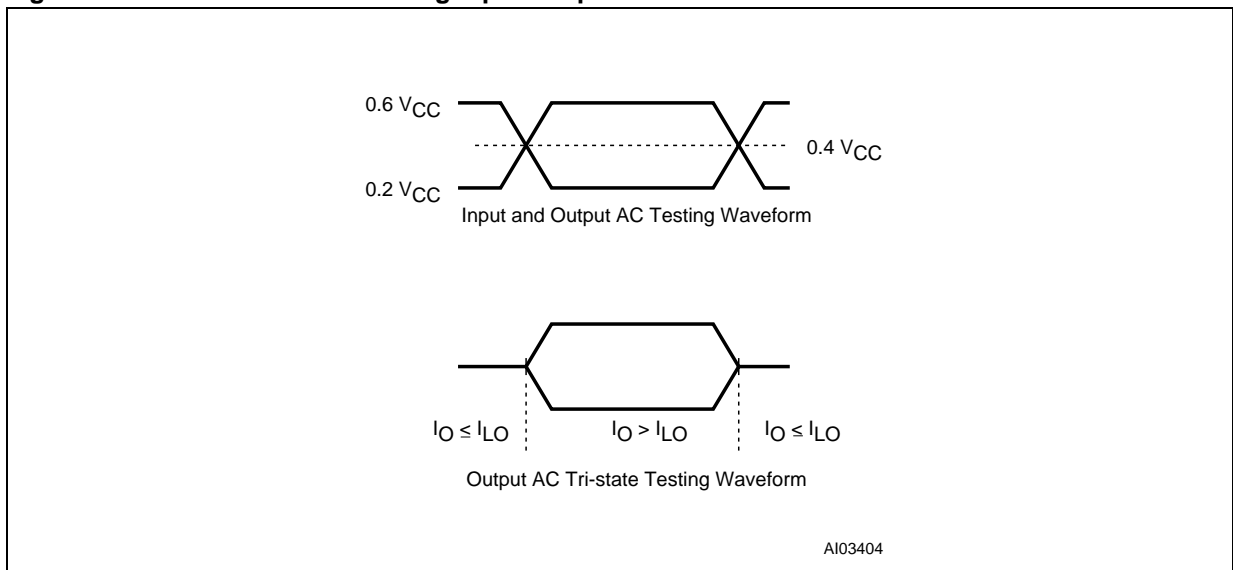
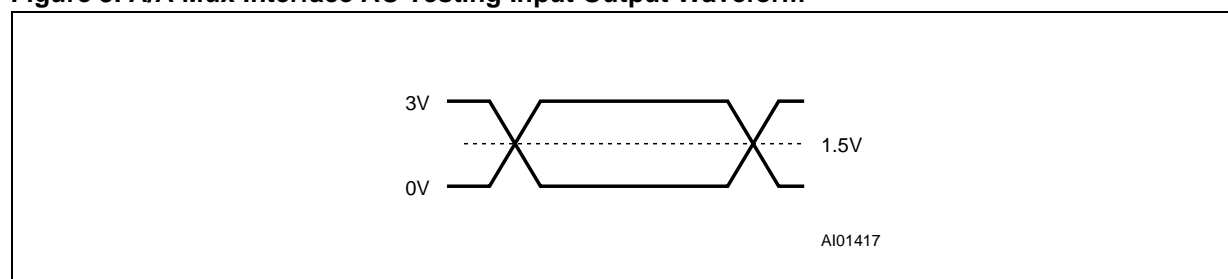


Table 17. A/A Mux Interface AC Measurement Conditions

| Parameter | Value | Unit |
|---------------------------------------|------------|------|
| V _{CC} Supply Voltage | 3.0 to 3.6 | V |
| Load Capacitance (C _L) | 30 | pF |
| Input Rise and Fall Times | ≤ 10 | ns |
| Input Pulse Voltages | 0 to 3 | V |
| Input and Output Timing Ref. Voltages | 1.5 | V |

Figure 8. A/A Mux Interface AC Testing Input Output Waveform**Table 18. Impedance**
(T_A = 25 °C, f = 1 MHz)

| Symbol | Parameter | Test Condition | Min | Max | Unit |
|---------------------------------|----------------------------|----------------------|-----|-----|------|
| C _{IN} ⁽¹⁾ | Input Capacitance | V _{IN} = 0V | | 13 | pF |
| C _{CLK} ⁽¹⁾ | Clock Capacitance | V _{IN} = 0V | 3 | 12 | pF |
| L _{PIN} ⁽²⁾ | Recommended Pin Inductance | | | 20 | nH |

Note: 1. Sampled only, not 100% tested.
2. See PCI Specification.

Table 19. DC Characteristics

 (T_A = 0 to 70°C or -20 to 85°C; V_{CC} = 3.0 to 3.6V)

| Symbol | Parameter | Interface | Test Condition | Min | Max | Unit |
|--|---|-----------|---|-----------------------|-----------------------|------|
| V _{IH} | Input High Voltage | FWH | | 0.5 V _{CC} | V _{CC} + 0.5 | V |
| | | A/A Mux | | 0.7 V _{CC} | V _{CC} + 0.3 | V |
| V _{IL} | Input Low Voltage | FWH | | -0.5 | 0.3 V _{CC} | V |
| | | A/A Mux | | -0.5 | 0.8 | V |
| V _{IH} ($\overline{\text{INIT}}$) | $\overline{\text{INIT}}$ Input High Voltage | FWH | | 1.35 | V _{CC} + 0.5 | V |
| V _{IL} ($\overline{\text{INIT}}$) | $\overline{\text{INIT}}$ Input Low Voltage | FWH | | -0.5 | 0.2 V _{CC} | V |
| I _{LI} ⁽²⁾ | Input Leakage Current | | 0V ≤ V _{IN} ≤ V _{CC} | | ±10 | μA |
| I _{LI2} | IC, IDx Input Leakage Current | | IC, ID0, ID1, ID2, ID3 = V _{CC} | | 200 | μA |
| R _{IL} | IC, IDx Input Pull Low Resistor | | | 20 | 100 | kΩ |
| V _{OH} | Output High Voltage | FWH | I _{OH} = -500μA | 0.9 V _{CC} | | V |
| | | A/A Mux | I _{OH} = -100μA | V _{CC} - 0.4 | | V |
| V _{OL} | Output Low Voltage | FWH | I _{OL} = 1.5mA | | 0.1 V _{CC} | V |
| | | A/A Mux | I _{OL} = 1.8mA | | 0.45 | V |
| I _{LO} | Output Leakage Current | | 0V ≤ V _{OUT} ≤ V _{CC} | | ±10 | μA |
| V _{PP1} | V _{PP} Voltage | | | 3 | 3.6 | V |
| V _{PPH} | V _{PP} Voltage (Fast Erase) | | | 11.4 | 12.6 | V |
| V _{PPLK} ⁽¹⁾ | V _{PP} Lockout Voltage | | | 1.5 | | V |
| V _{LKO} ⁽¹⁾ | V _{CC} Lockout Voltage | | | 1.8 | 2.3 | V |
| I _{CC1} | Supply Current (Standby) | FWH | FWH4 = 0.9 V _{CC} , V _{PP} = V _{CC} All other inputs 0.9 V _{CC} to 0.1 V _{CC} V _{CC} = 3.6V, f(CLK) = 33MHz | | 100 | μA |
| I _{CC2} | Supply Current (Standby) | FWH | FWH4 = 0.1 V _{CC} , V _{PP} = V _{CC} All other inputs 0.9 V _{CC} to 0.1 V _{CC} V _{CC} = 3.6V, f(CLK) = 33MHz | | 10 | mA |
| I _{CC3} | Supply Current (Any internal operation active) | FWH | V _{CC} = V _{CC} max, V _{PP} = V _{CC} f(CLK) = 33MHz I _{OUT} = 0mA | | 60 | mA |
| I _{CC4} | Supply Current (Read) | A/A Mux | $\overline{\text{G}}$ = V _{IH} , f = 6MHz | | 20 | mA |
| I _{CC5} ⁽¹⁾ | Supply Current (Program/Erase) | A/A Mux | Program/Erase Controller Active | | 20 | mA |
| I _{PP} | V _{PP} Supply Current (Read/Standby) | | V _{PP} ≥ V _{CC} | | 400 | μA |
| I _{PP1} ⁽¹⁾ | V _{PP} Supply Current (Program/Erase active) | | V _{PP} = V _{CC} | | 40 | mA |
| | | | V _{PP} = 12V ± 5% | | 15 | mA |

Note: 1. Sampled only, not 100% tested.

2. Input leakage currents include High-Z output leakage for all bi-directional buffers with tri-state outputs.

Table 20. FWH Interface Clock Characteristics
 ($T_A = 0$ to 70°C or -20 to 85°C ; $V_{CC} = 3.0$ to 3.6V)

| Symbol | Parameter | Test Condition | | Value | Unit |
|------------|-------------------------------|----------------|-----|-------|------|
| t_{CYC} | CLK Cycle Time ⁽¹⁾ | | Min | 30 | ns |
| t_{HIGH} | CLK High Time | | Min | 11 | ns |
| t_{LOW} | CLK Low Time | | Min | 11 | ns |
| | CLK Slew Rate | peak to peak | Min | 1 | V/ns |
| | | | Max | 4 | V/ns |

Note: 1. Devices on the PCI Bus must work with any clock frequency between DC and 33MHz. Below 16MHz devices may be guaranteed by design rather than tested. Refer to PCI Specification.

Figure 9. FWH Interface Clock Waveform

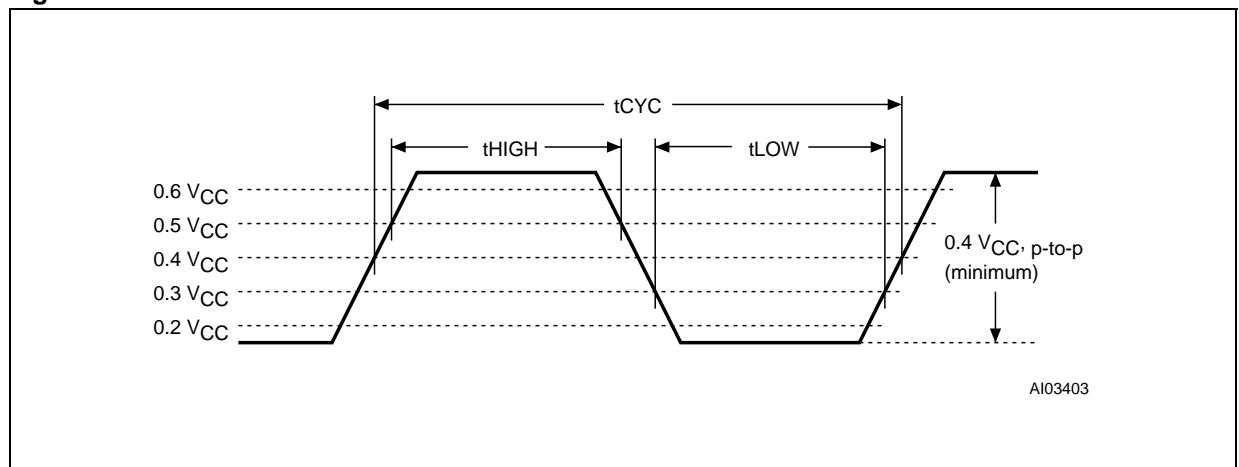
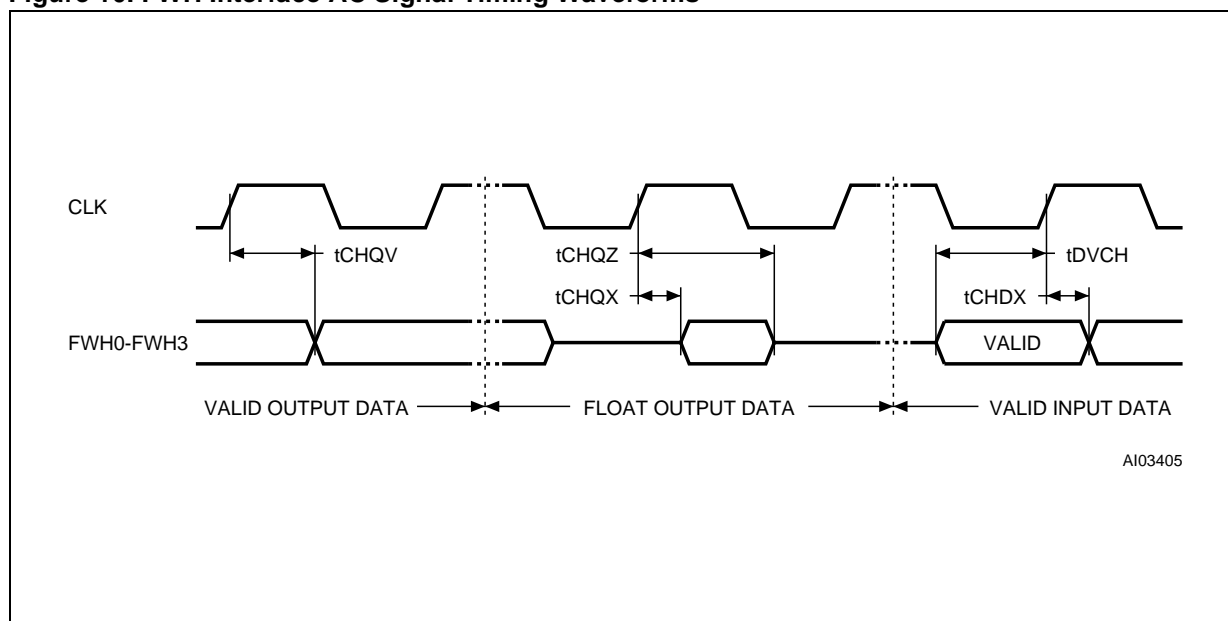


Table 21. FWH Interface AC Signal Timing Characteristics
 ($T_A = 0$ to 70°C or -20 to 85°C ; $V_{CC} = 3.0$ to 3.6V)

| Symbol | PCI Symbol | Parameter | Test Condition | | Value | Unit |
|--|------------------|--|----------------|--|-------|------|
| t_{CHQV} | t_{val} | CLK to Data Out | Min | | 2 | ns |
| | | | Max | | 11 | ns |
| $t_{\text{CHQX}}^{(1)}$ | t_{on} | CLK to Active (Float to Active Delay) | Min | | 2 | ns |
| t_{CHQZ} | t_{off} | CLK to Inactive (Active to Float Delay) | Max | | 28 | ns |
| t_{AVCH} t_{DVCH} | t_{su} | Input Set-up Time ⁽²⁾ | Min | | 7 | ns |
| t_{CHAX} t_{CHDX} | t_{h} | Input Hold Time ⁽²⁾ | Min | | 0 | ns |

Note: 1. The timing measurements for Active/Float transitions are defined when the current through the pin equals the leakage current specification.
 2. Applies to all inputs except CLK.

Figure 10. FWH Interface AC Signal Timing Waveforms



AI03405

Table 22. Reset AC Characteristics(T_A = 0 to 70°C or -20 to 85°C; V_{CC} = 3.0 to 3.6V)

| Symbol | Parameter | Test Condition | Value | Unit |
|--|---|------------------------|-------|----------|
| t _{PLPH} | \overline{RP} or \overline{INIT} Reset Pulse Width | | Min | 100 ns |
| t _{PLRH} | \overline{RP} or \overline{INIT} Low to Reset | Program/Erase Inactive | Max | 100 ns |
| | | Program/Erase Active | Max | 30 μs |
| | \overline{RP} or \overline{INIT} Slew Rate ⁽¹⁾ | Rising edge only | Min | 50 mV/ns |
| t _{PHFL} | \overline{RP} or \overline{INIT} High to FWH4 Low | FWH Interface only | Min | 30 μs |
| t _{PHWL} t _{PHGL} | \overline{RP} High to Write Enable or Output Enable Low | A/A Mux Interface only | Min | 50 μs |

Note: 1. See Chapter 4 of the PCI Specification.

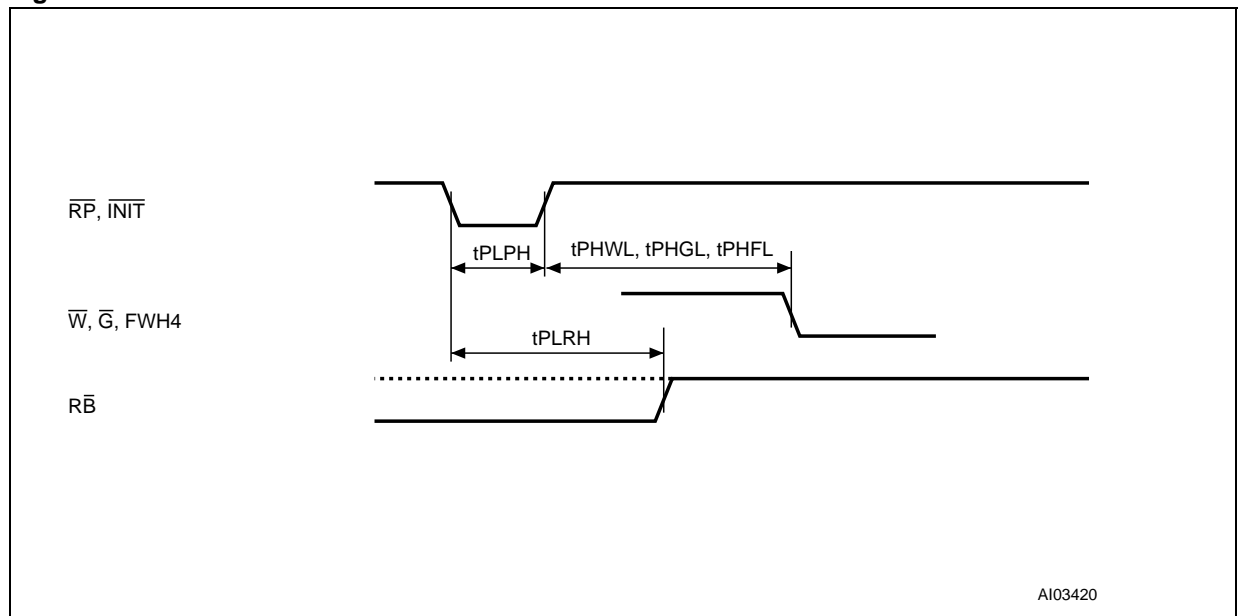
Figure 11. Reset AC Waveforms

Table 23. A/A Mux Interface Read AC Characteristics
 (T_A = 0 to 70°C or -20 to 85°C; V_{CC} = 3.0 to 3.6V)

| Symbol | Parameter | Test Condition | Value | Unit |
|----------------------------------|--|----------------|-------|------|
| t _{AVAV} | Read Cycle Time | Min | 250 | ns |
| t _{AVCL} | Row Address Valid to R _C Low | Min | 50 | ns |
| t _{CLAX} | R _C Low to Row Address Transition | Min | 50 | ns |
| t _{AVCH} | Column Address Valid to R _C high | Min | 50 | ns |
| t _{CHAX} | R _C High to Column Address Transition | Min | 50 | ns |
| t _{CHQV} ⁽¹⁾ | R _C High to Output Valid | Max | 150 | ns |
| t _{GLQV} ⁽¹⁾ | Output Enable Low to Output Valid | Max | 50 | ns |
| t _{PHAV} | R _P High to Row Address Valid | Min | 1 | μs |
| t _{GLQX} | Output Enable Low to Output Transition | Min | 0 | ns |
| t _{GHQZ} | Output Enable High to Output Hi-Z | Max | 50 | ns |
| t _{GHQX} | Output Hold from Output Enable High | Min | 0 | ns |

Note: 1. \bar{G} may be delayed up to t_{CHQV} - t_{GLQV} after the rising edge of R_C without impact on t_{CHQV}.

Figure 12. A/A Mux Interface Read AC Waveforms

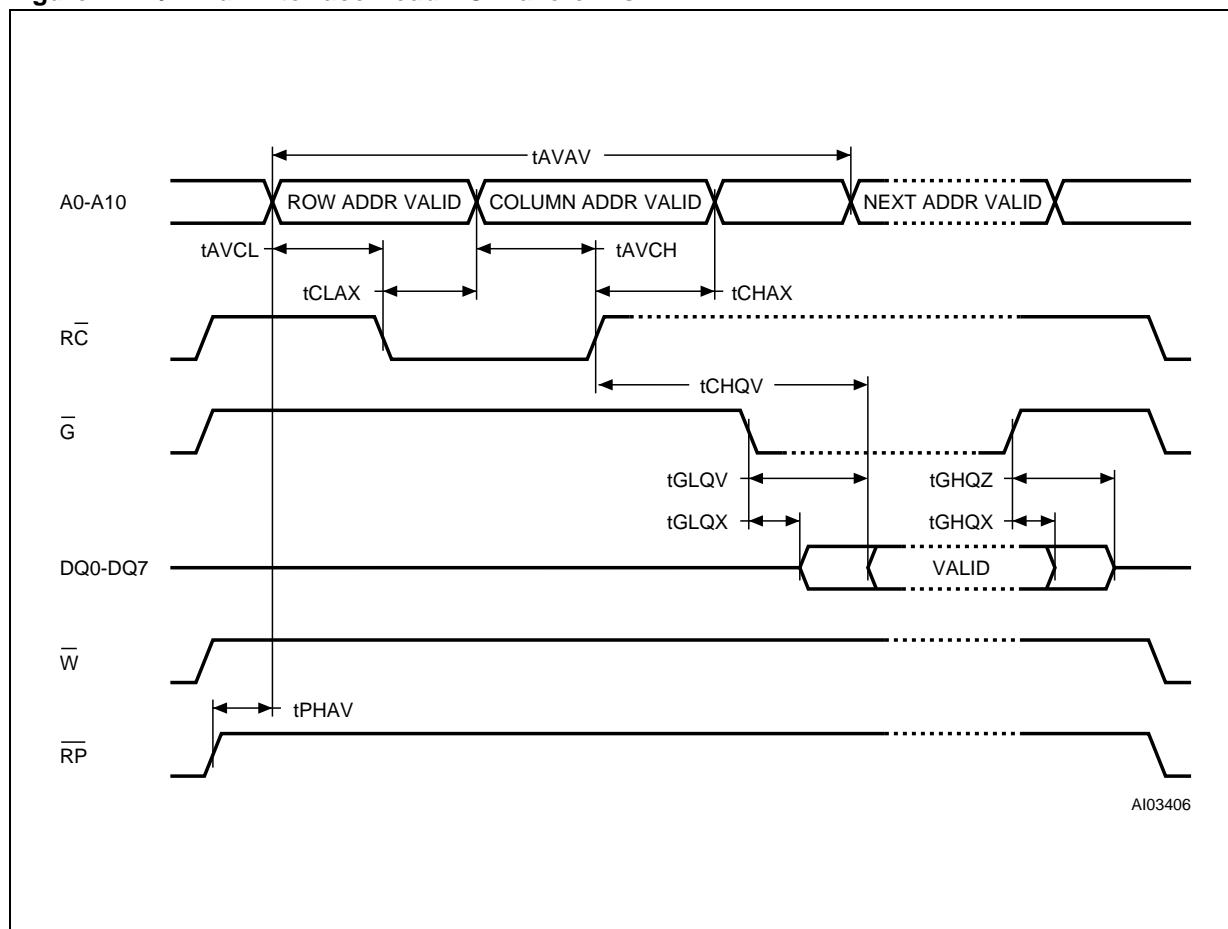


Table 24. A/A Mux Interface Write AC Characteristics
 ($T_A = 0$ to 70°C or -20 to 85°C ; $V_{CC} = 3.0$ to 3.6V)

| Symbol | Parameter | Test Condition | | Value | Unit |
|--------------------|---|----------------|-----|-------|------|
| t_{WLWH} | Write Enable Low to Write Enable High | | Min | 100 | ns |
| t_{DVWH} | Data Valid to Write Enable High | | Min | 50 | ns |
| t_{WHDX} | Write Enable High to Data Transition | | Min | 5 | ns |
| t_{AVCL} | Row Address Valid to $\overline{R\overline{C}}$ Low | | Min | 50 | ns |
| t_{CLAX} | $\overline{R\overline{C}}$ Low to Row Address Transition | | Min | 50 | ns |
| t_{AVCH} | Column Address Valid to $\overline{R\overline{C}}$ High | | Min | 50 | ns |
| t_{CHAX} | $\overline{R\overline{C}}$ High to Column Address Transition | | Min | 50 | ns |
| t_{WHWL} | Write Enable High to Write Enable Low | | Min | 100 | ns |
| t_{CHWH} | $\overline{R\overline{C}}$ High to Write Enable High | | Min | 50 | ns |
| $t_{VPHWH}^{(1)}$ | V_{PP} High to Write Enable High | | Min | 100 | ns |
| t_{WHGL} | Write Enable High to Output Enable Low | | Min | 30 | ns |
| t_{WHRL} | Write Enable High to $\overline{R\overline{B}}$ Low | | Min | 0 | ns |
| $t_{QVPL}^{(1,2)}$ | Output Valid, $\overline{R\overline{B}}$ High to V_{PP} Low | | Min | 0 | ns |

Note: 1. Sampled only, not 100% tested.

2. Applicable if V_{PP} is seen as a logic input ($V_{PP} < 3.6\text{V}$).

Figure 13. A/A Mux Interface Write AC Waveforms

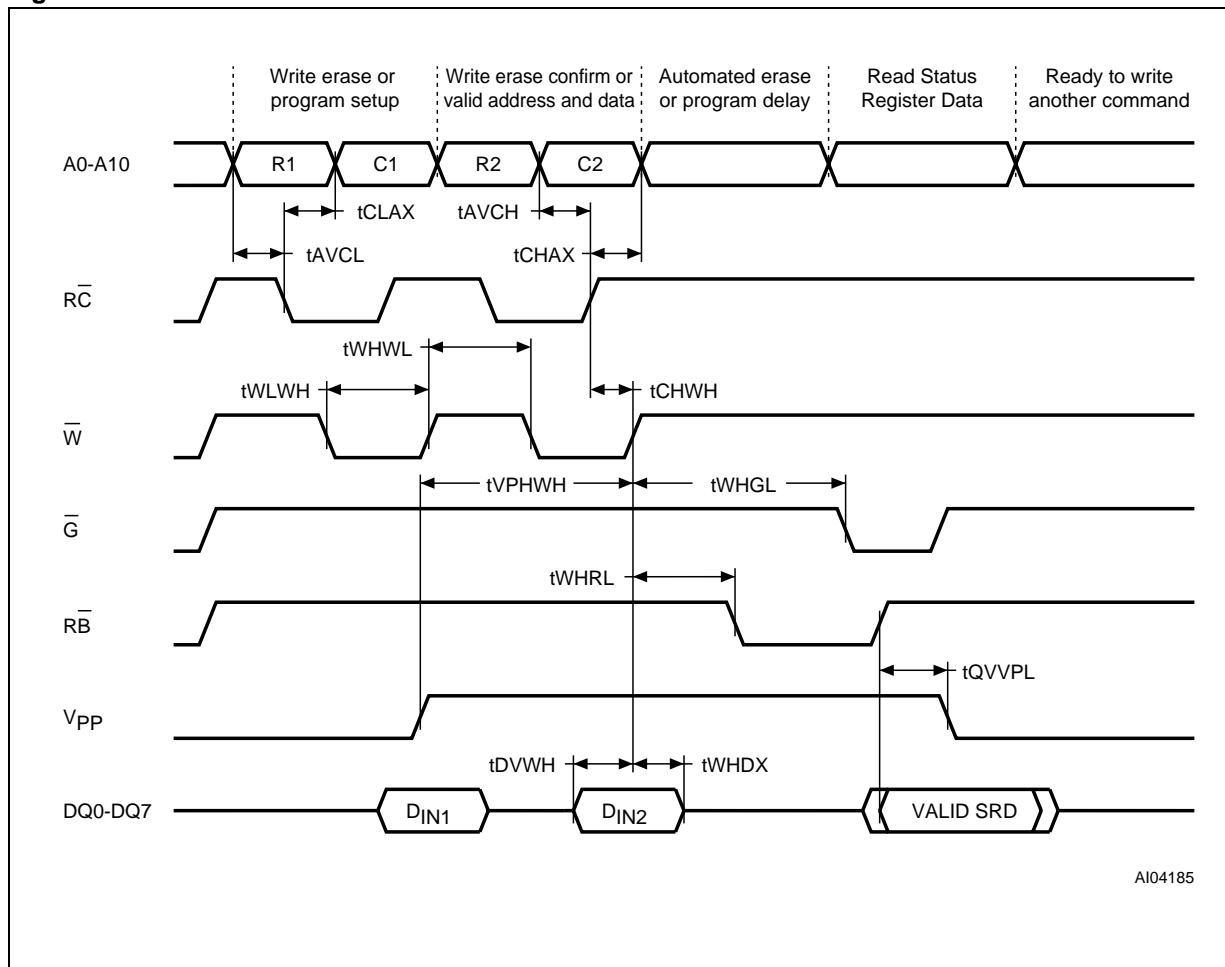
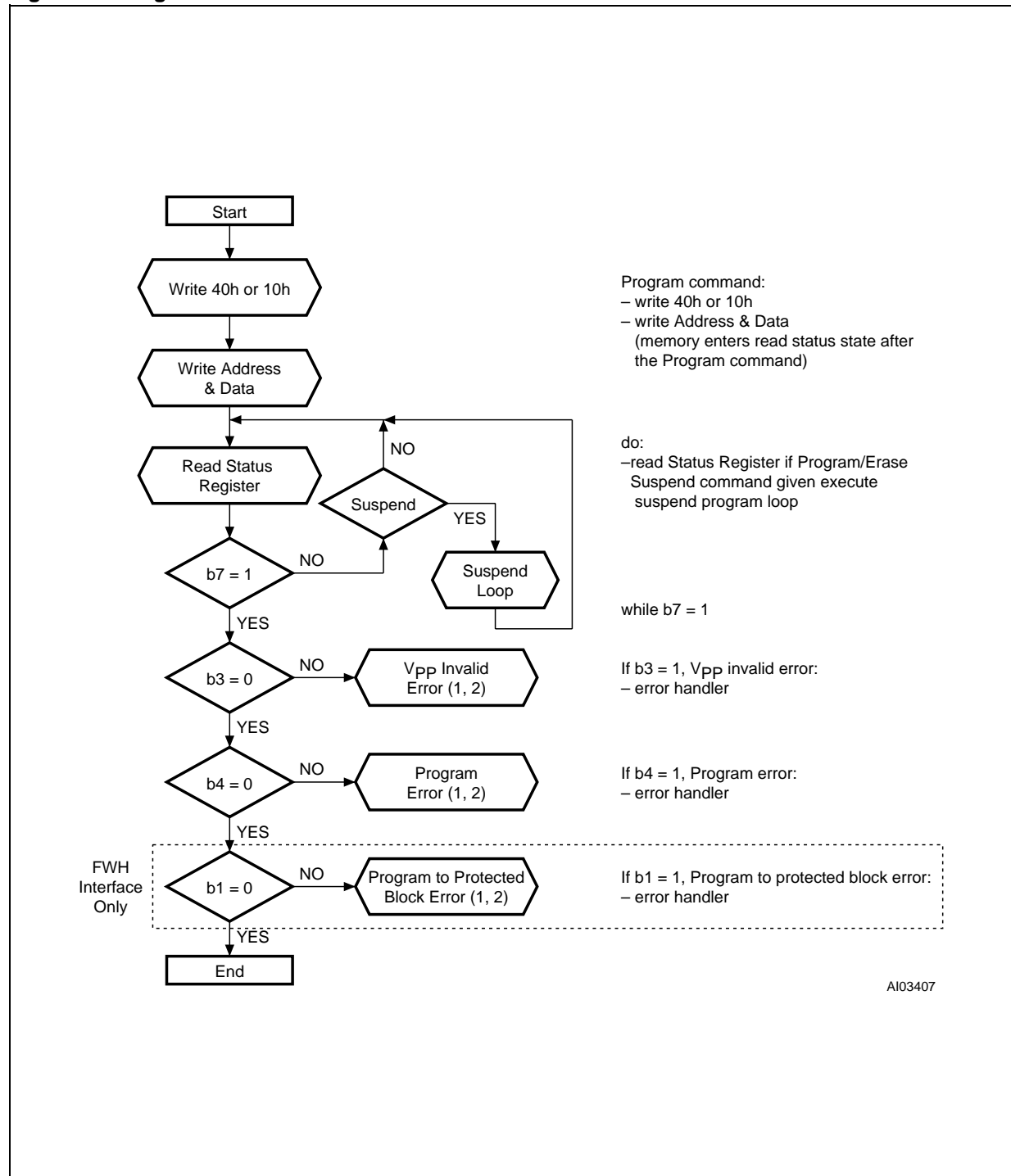


Figure 14. Program Flowchart and Pseudo Code



Note: 1. A Status check of b1 (Protected Block), b3 (V_{PP} invalid) and b4 (Program Error) can be made after each Program operation by following the correct command sequence.
 2. If an error is found, the Status Register must be cleared before further Program/Erase Controller operations.

Figure 15. Program Suspend & Resume Flowchart and Pseudo Code

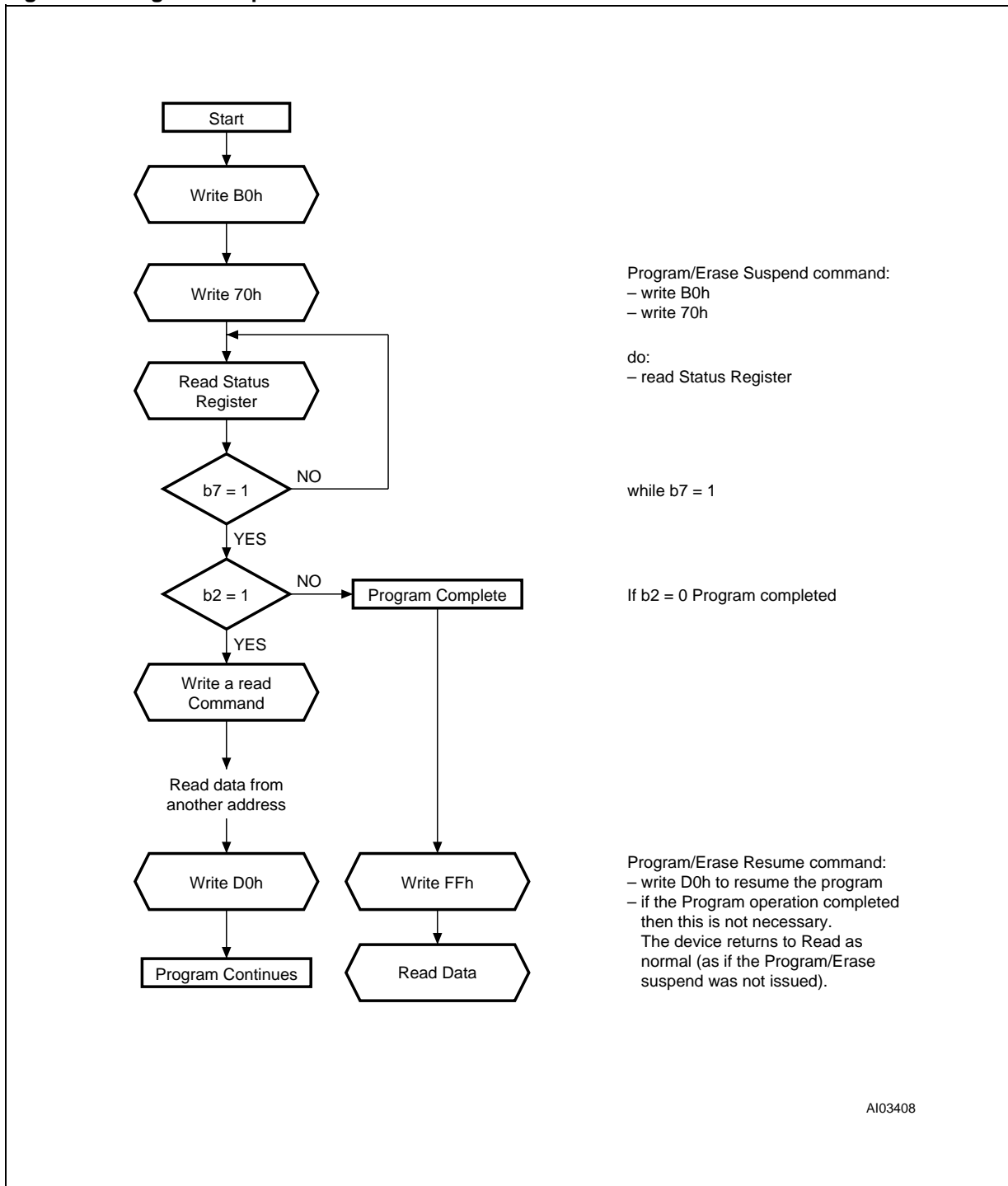
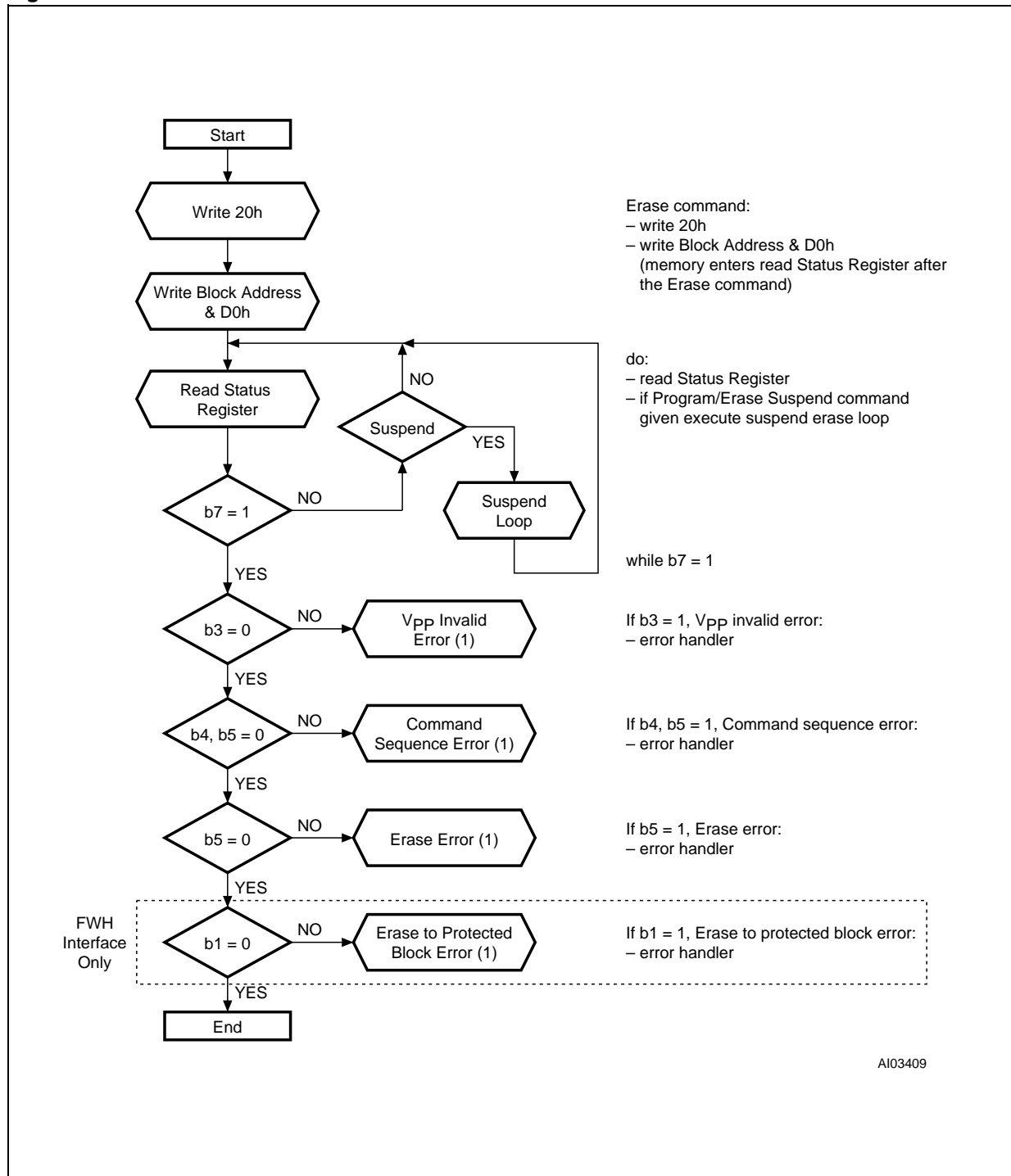


Figure 16. Erase Flowchart and Pseudo Code



Note: 1. If an error is found, the Status Register must be cleared before further Program/Erase Controller operations.

Figure 17. Erase Suspend & Resume Flowchart and Pseudo Code

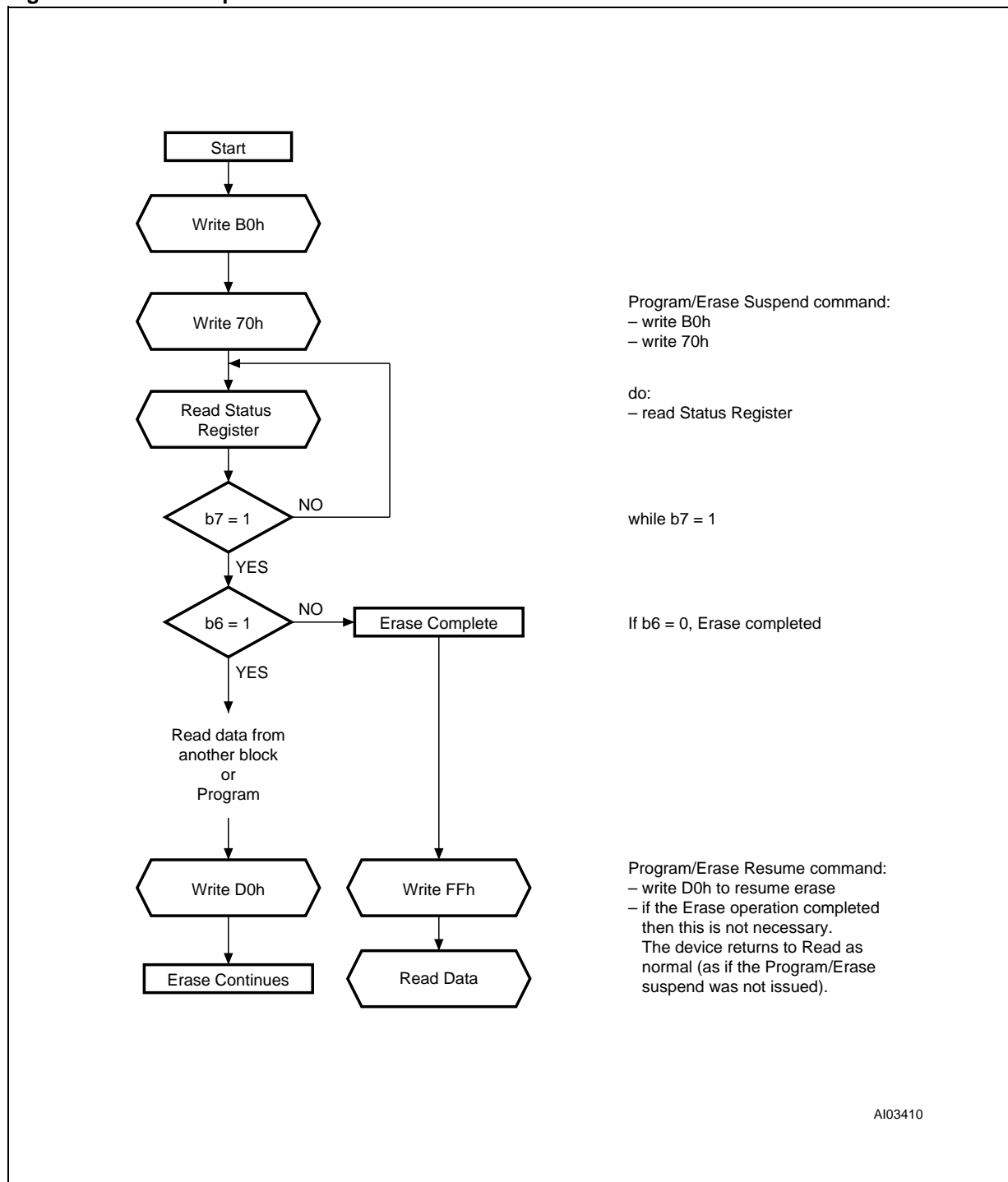


Table 25. Ordering Information Scheme

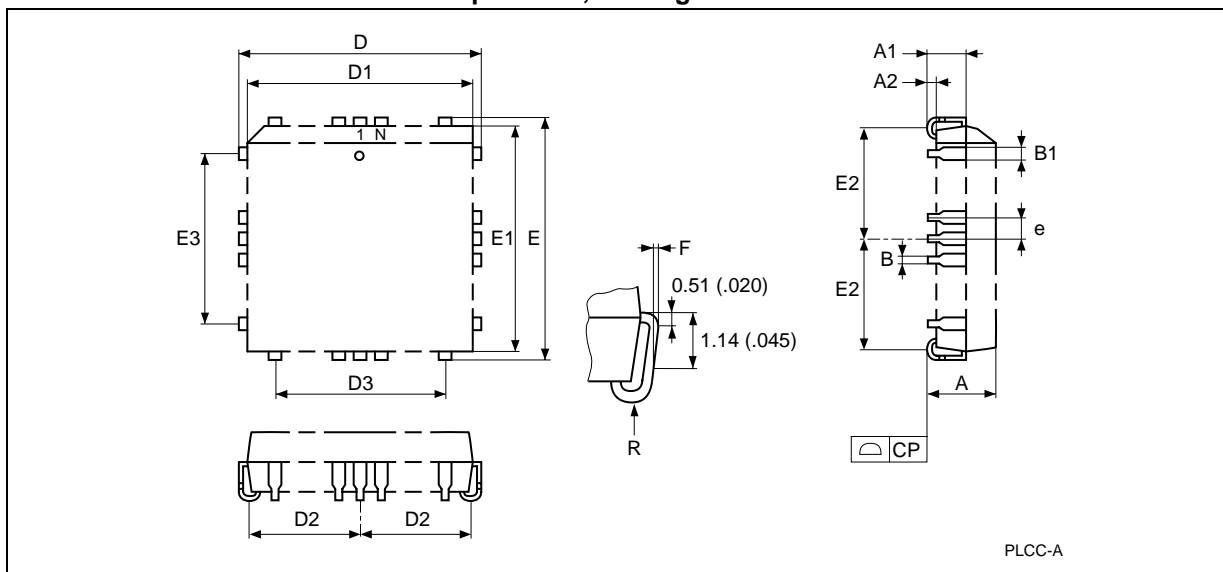
| | | | | |
|---|----------|---|---|---|
| Example: | M50FW040 | K | 1 | T |
| Device Type M50 | | | | |
| Architecture F = Firmware Hub Interface | | | | |
| Operating Voltage W = 3V to 3.6V | | | | |
| Device Function 040 = 4 Mbit (x8), Uniform Block | | | | |
| Package K = PLCC32 N = TSOP40: 10 x 20 mm | | | | |
| Temperature Range 1 = 0 to 70 °C 5 = -20 to 85°C | | | | |
| Option T = Tape & Reel Packing | | | | |

For a list of available options or for further information on any aspect of this device, please contact the ST Sales Office nearest to you.

Table 26. Revision History

| Date | Version | Revision Details |
|----------------|---------|--|
| September 2000 | -01 | First Issue |
| 04-Oct-2000 | -02 | DC Characteristics: I _{CC4} changed |
| 11-Apr-01 | -03 | Document type: from Preliminary Data to Data Sheet Program and Erase functions clarification Read Electronic Signature table change FWH Register Configuration Map table change Input Register Definition table, note clarification DC Characteristics parameters clarification and new V _{IH} and V _{IL} parameters added FWH Interface AC Signal Timing Characteristics change A/A Mux Interface Read AC Characteristics change A/A Mux Interface Write AC Characteristics change A/A Mux Interface Write AC Waveforms change |
| 06-Jul-2001 | -04 | Note 2 changed (Table 3, Absolute Maximum Ratings) |
| 12-Mar-2002 | -05 | RFU pins must be left disconnected Specification of PLCC32 package mechanical data revised |

PLCC32 – 32 lead Plastic Leaded Chip Carrier, Package Outline

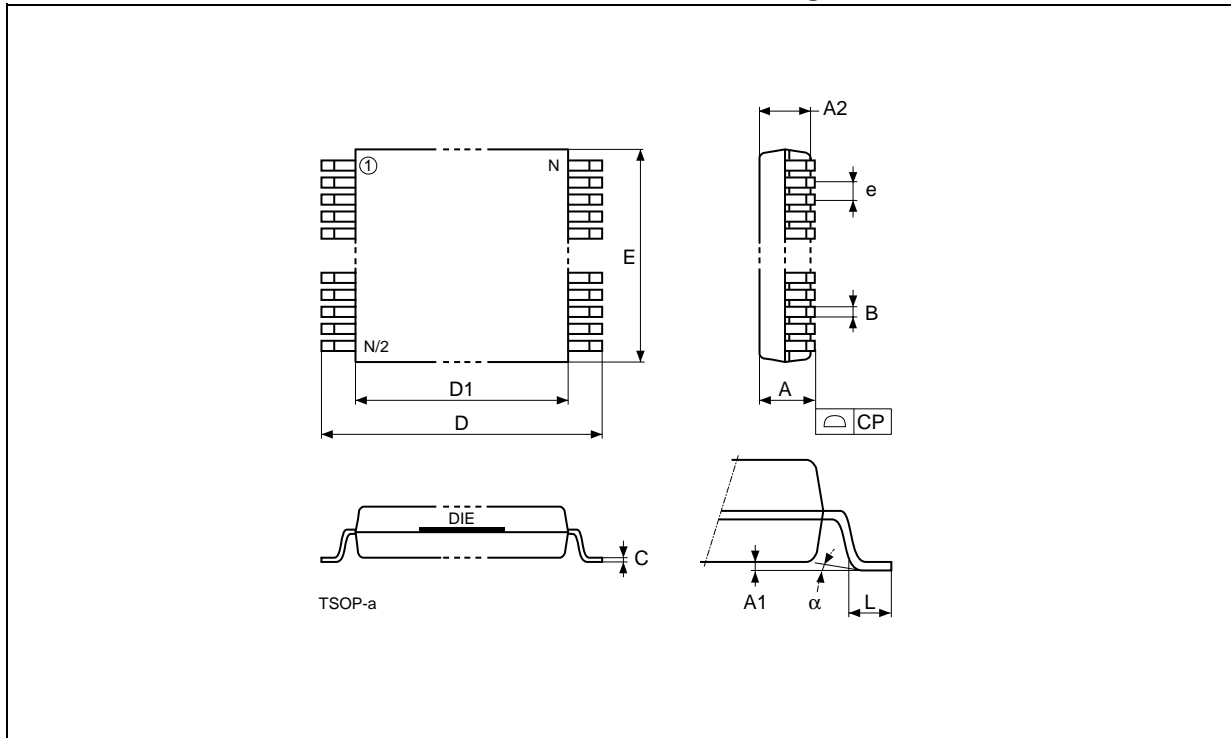


Note: Drawing is not to scale.

PLCC32 – 32 lead Plastic Leaded Chip Carrier, Package Mechanical Data

| Symbol | millimeters | | | inches | | |
|--------|-------------|-------|-------|--------|-------|-------|
| | Typ | Min | Max | Typ | Min | Max |
| A | | 3.18 | 3.56 | | 0.125 | 0.140 |
| A1 | | 1.53 | 2.41 | | 0.060 | 0.095 |
| A2 | | 0.38 | – | | 0.015 | – |
| B | | 0.33 | 0.53 | | 0.013 | 0.021 |
| B1 | | 0.66 | 0.81 | | 0.026 | 0.032 |
| CP | | | 0.10 | | | 0.004 |
| D | | 12.32 | 12.57 | | 0.485 | 0.495 |
| D1 | | 11.35 | 11.51 | | 0.447 | 0.453 |
| D2 | | 4.78 | 5.66 | | 0.188 | 0.223 |
| D3 | 7.62 | – | – | 0.300 | – | – |
| E | | 14.86 | 15.11 | | 0.585 | 0.595 |
| E1 | | 13.89 | 14.05 | | 0.547 | 0.553 |
| E2 | | 6.05 | 6.93 | | 0.238 | 0.273 |
| E3 | 10.16 | – | – | 0.400 | – | – |
| e | 1.27 | – | – | 0.050 | – | – |
| F | | 0.00 | 0.13 | | 0.000 | 0.005 |
| N | | 32 | | | 32 | |
| R | 0.89 | – | – | 0.035 | – | – |

TSOP40 – 40 lead Plastic Thin Small Outline, 10 x 20mm, Package Outline



Note: Drawing is not to scale.

TSOP40 – 40 lead Plastic Thin Small Outline, 10 x 20mm, Package Mechanical Data

| Symbol | millimeters | | | inches | | |
|--------|-------------|--------|--------|--------|--------|--------|
| | Typ | Min | Max | Typ | Min | Max |
| A | | | 1.200 | | | 0.0472 |
| A1 | | 0.050 | 0.150 | | 0.0020 | 0.0059 |
| A2 | | 0.950 | 1.050 | | 0.0374 | 0.0413 |
| B | | 0.170 | 0.270 | | 0.0067 | 0.0106 |
| C | | 0.100 | 0.210 | | 0.0039 | 0.0083 |
| D | | 19.800 | 20.200 | | 0.7795 | 0.7953 |
| D1 | | 18.300 | 18.500 | | 0.7205 | 0.7283 |
| E | | 9.900 | 10.100 | | 0.3898 | 0.3976 |
| e | 0.500 | – | – | 0.0197 | – | – |
| L | | 0.500 | 0.700 | | 0.0197 | 0.0276 |
| α | | 0° | 5° | | 0° | 5° |
| N | | 40 | | | 40 | |
| CP | | | 0.100 | | | 0.0039 |

Information furnished is believed to be accurate and reliable. However, STMicroelectronics assumes no responsibility for the consequences of use of such information nor for any infringement of patents or other rights of third parties which may result from its use. No license is granted by implication or otherwise under any patent or patent rights of STMicroelectronics. Specifications mentioned in this publication are subject to change without notice. This publication supersedes and replaces all information previously supplied. STMicroelectronics products are not authorized for use as critical components in life support devices or systems without express written approval of STMicroelectronics.

The ST logo is registered trademark of STMicroelectronics
All other names are the property of their respective owners

© 2002 STMicroelectronics - All Rights Reserved

STMicroelectronics group of companies
Australia - Brazil - Canada - China - Finland - France - Germany - Hong Kong -
India - Israel - Italy - Japan - Malaysia - Malta - Morocco - Singapore - Spain - Sweden - Switzerland - United Kingdom - United States.
www.st.com