



# TSH11

## 120MHz BANDWIDTH MOS INPUT SINGLE OPERATIONAL AMPLIFIER

- VERY LOW INPUT CURRENT : 2pA typ
- GAIN BANDWIDTH PRODUCT : 120MHz
- UNITY GAIN STABLE
- SLEW RATE : 150V/ $\mu$ s
- STANDARD PIN OUT

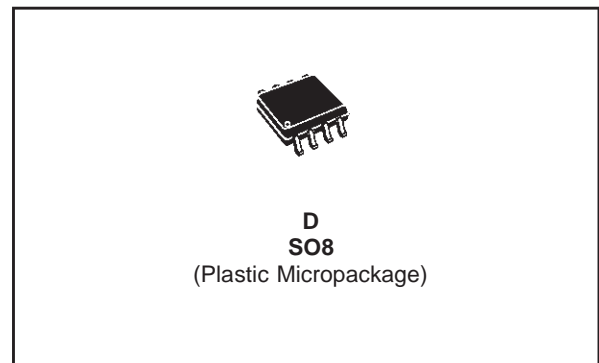
### DESCRIPTION

The TSH11 is a low cost wide bandwidth single operational amplifier featuring extremely low input current of 2pA typ. Other features as unity gain stability, fast settling time and high linearity make it suitable for many applications requiring speed and very high input impedance as photo cell amplifier, high input impedance buffer, Fet probe, high speed precision integrator, sample and hold circuit.

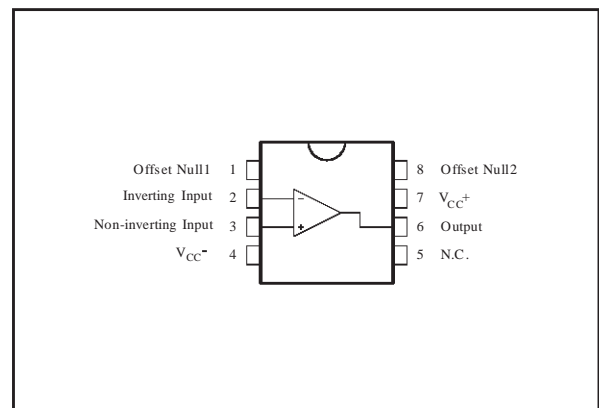
### ORDER CODE

Part Number	Temperature Range	Package
		D
TSH11I	-40°C, +125°C	•

D = Small Outline Package (SO) - also available in Tape & Reel (DT)

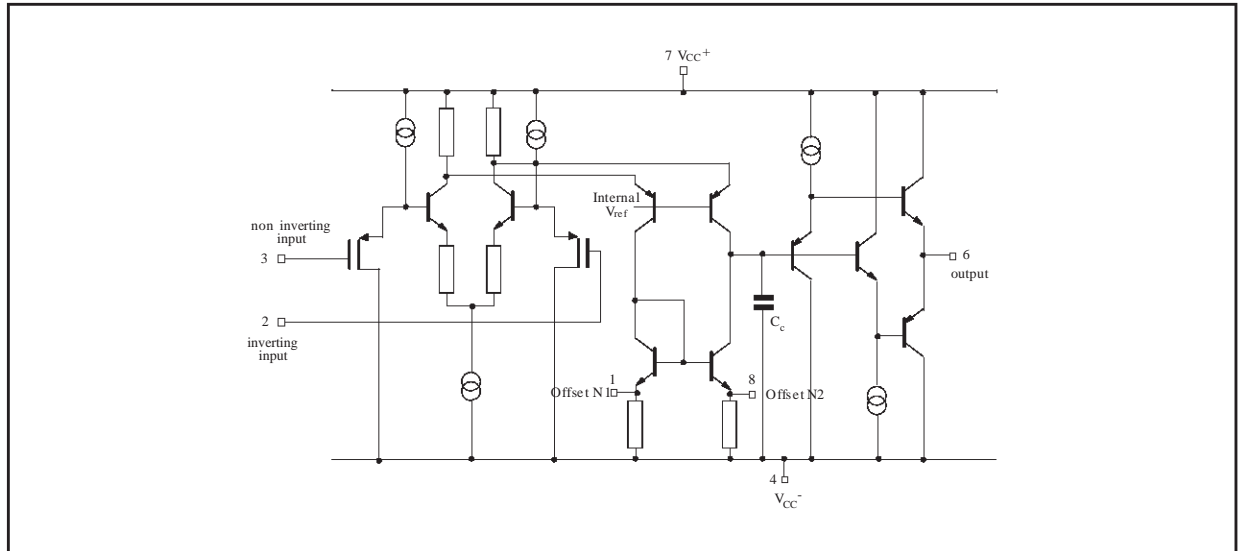


### PIN CONNECTIONS (top view)

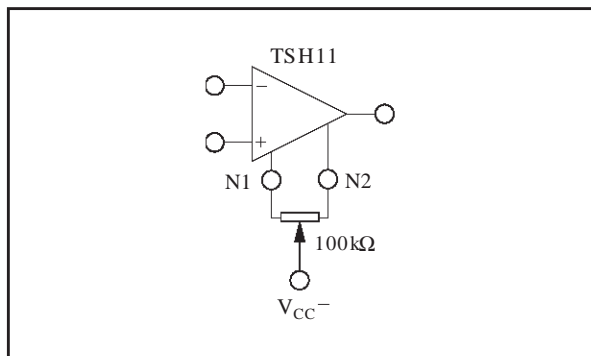


# TSH11

## SCHEMATIC DIAGRAM



## INPUT OFFSET VOLTAGE NULL CIRCUIT



## MAXIMUM RATINGS

Symbol	Parameter	Value	Unit
$V_{CC}$	Supply Voltage	$\pm 7$	V
$V_{id}$	Differential Input Voltage	$\pm 5$	V
$V_i$	Input Voltage	$\pm 5$	V
$I_{in}$	Current On Offset Null Pins	$\pm 20$	V
$T_{oper}$	Operating Free-Air Temperature range	-40 to +125	°C

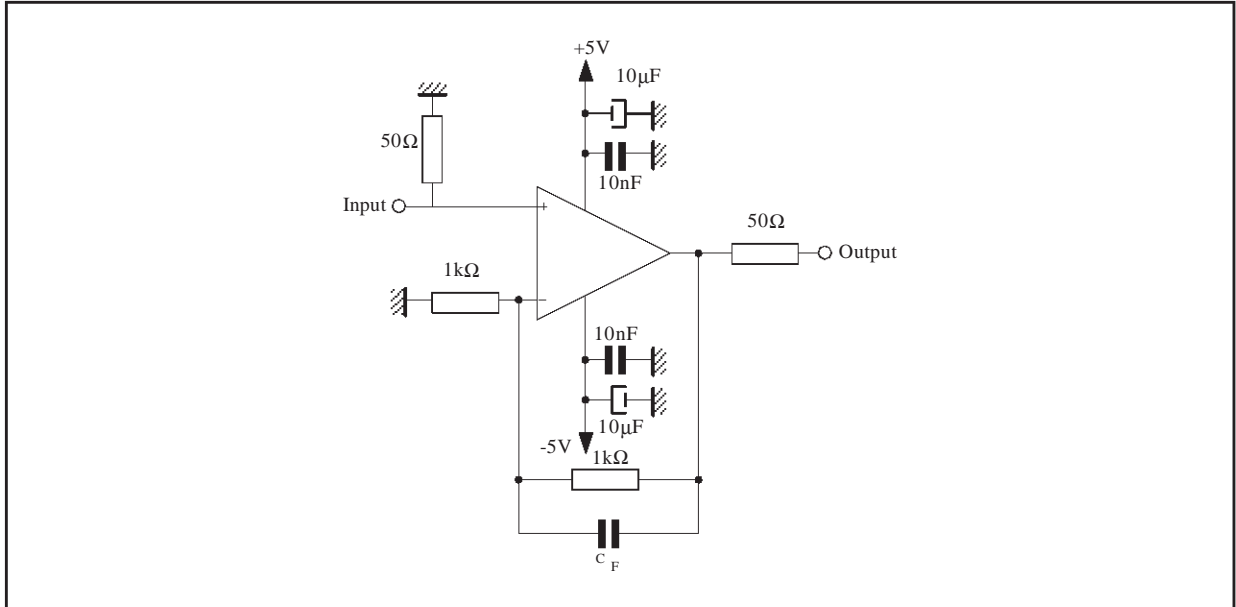
## OPERATING CONDITIONS

Symbol	Parameter	Value	Unit
$V_{CC}$	Supply Voltage	$\pm 3$ to $\pm 6$	V
$V_{ic}$	Common Mode Input Voltage Range	$V_{CC}^-$ to $V_{CC}^+ - 3$	V

**ELECTRICAL CHARACTERISTICS** $V_{CC} = \pm 5V$ ,  $T_{amb} = 25^{\circ}C$  (unless otherwise specified)

Symbol	Parameter	Min.	Typ.	Max.	Unit
$V_{io}$	Input Offset Voltage		3	15	mV
$DV_{io}$	Input Offset Voltage Drift $T_{min.} \leq T_{amb} \leq T_{max.}$		20		$\mu V/^{\circ}C$
$I_{ib}$	Input Bias Current		2	300	pA
$I_{io}$	Input Offset Current		2	200	pA
$I_{CC}$	Supply Current, no load $V_{CC} = \pm 5V$		20	40	mA
$A_{vd}$	Large Signal Voltage Gain $V_o = \pm 2.5V$ $R_L = 100\Omega$	200	800		V/V
$V_{icm}$	Input Common Mode Voltage Range	-5 to +2	-5.5 to +2.5		V
CMR	Common-mode Rejection Ratio $V_{ic} = V_{icm \text{ min.}}$	55	95		dB
SVR	Supply Voltage Rejection Ratio $V_{CC} = \pm 5V$ to $\pm 3V$	45	70		dB
$V_o$	Output Voltage $R_L = 100\Omega$	$\pm 2.5$	+3.5 -3.7		V
$I_o$	Output Short Circuit Current $V_{id} = \pm 1V$ , $V_o = 0V$		$\pm 70$		mA
GBP	Gain Bandwidth Product $A_{VCL} = 100$ , $R_L = 100\Omega$ , $f = 7.5MHz$		120		MHz
SR	Slew Rate $V_{in} = \pm 2V$ , $A_{VCL} = 1$ , $R_L = 100\Omega$		150		V/ $\mu s$
$e_n$	Equivalent Input Voltage Noise $f = 1MHz$		20		nV/ $\sqrt{Hz}$
$\phi_m$	Phase Margin $A_{VM} = 1$ , $R_L = 100\Omega$ , $C_L = 15pF$		40		Degrees

## EVALUATION CIRCUIT



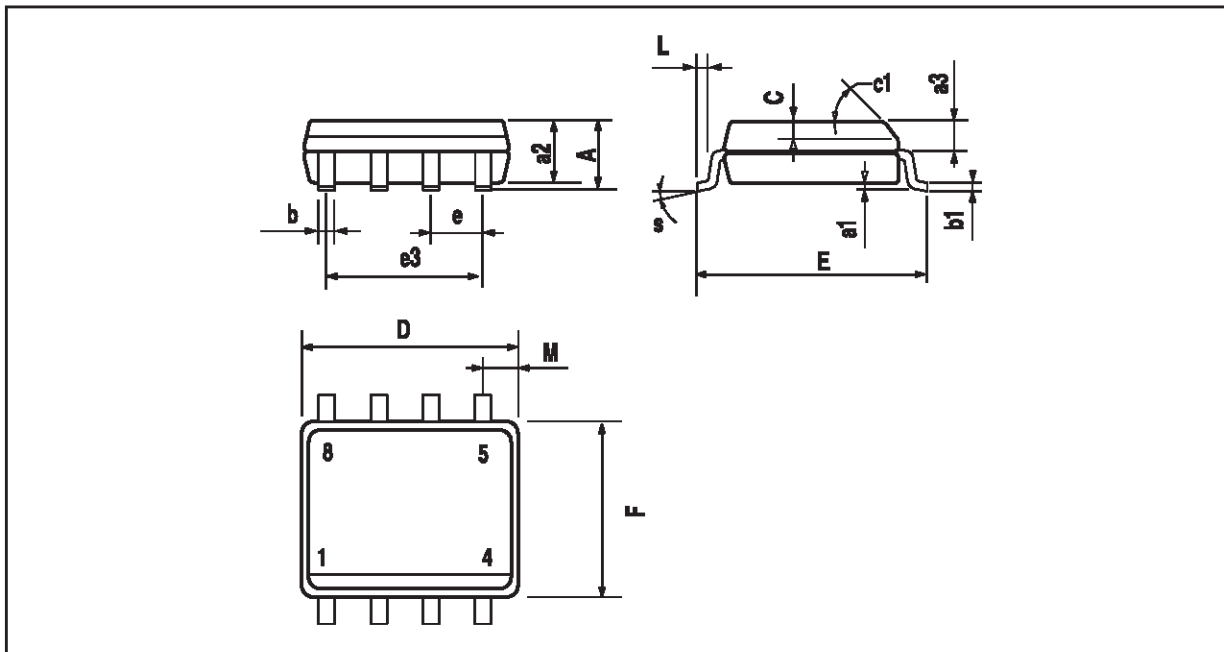
## PRINTED CIRCUIT LAYOUT

As for any high frequency device, a few rules must be observed when designing the PCB to get the best performances from this high speed op amp.

From the most to the least important points :

- Each power supply lead has to be bypassed to ground with a 10nF ceramic capacitor very close to the device and a 10μF tantalum capacitor.
- To provide low inductance and low resistance common return, use a ground plane or common point return for power and signal.
- All leads must be wide and as short as possible especially for op amp inputs. This is in order to decrease parasitic capacitance and inductance.
- Use small resistor values to decrease time constant with parasitic capacitance.
- Choose component sizes as small as possible (SMD).
- On output, decrease capacitor load so as to avoid circuit stability being degraded which may cause oscillation. You can also add a serial resistor in order to minimise its influence.
- One can add in parallel with feedback resistor a few pF ceramic capacitor  $C_F$  adjusted to optimize the settling time.

**PACKAGE MECHANICAL DATA**  
8 PINS - PLASTIC MICROPACKAGE (SO)



Dim.	Millimeters			Inches		
	Min.	Typ.	Max.	Min.	Typ.	Max.
A			1.75			0.069
a1	0.1		0.25	0.004		0.010
a2			1.65			0.065
a3	0.65		0.85	0.026		0.033
b	0.35		0.48	0.014		0.019
b1	0.19		0.25	0.007		0.010
C	0.25		0.5	0.010		0.020
c1	45° (typ.)					
D	4.8		5.0	0.189		0.197
E	5.8		6.2	0.228		0.244
e		1.27			0.050	
e3		3.81			0.150	
F	3.8		4.0	0.150		0.157
L	0.4		1.27	0.016		0.050
M			0.6			0.024
S	8° (max.)					

Information furnished is believed to be accurate and reliable. However, STMicroelectronics assumes no responsibility for the consequences of use of such information nor for any infringement of patents or other rights of third parties which may result from its use. No license is granted by implication or otherwise under any patent or patent rights of STMicroelectronics. Specifications mentioned in this publication are subject to change without notice. This publication supersedes and replaces all information previously supplied. STMicroelectronics products are not authorized for use as critical components in life support devices or systems without express written approval of STMicroelectronics.

© The ST logo is a registered trademark of STMicroelectronics

© 2000 STMicroelectronics - Printed in Italy - All Rights Reserved  
STMicroelectronics GROUP OF COMPANIES

Australia - Brazil - China - Finland - France - Germany - Hong Kong - India - Italy - Japan - Malaysia - Malta - Morocco  
Singapore - Spain - Sweden - Switzerland - United Kingdom

© <http://www.st.com>