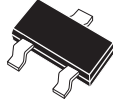


BCX71 SERIES
SURFACE MOUNT
PNP SILICON TRANSISTOR



SOT-23 CASE

Central™

Semiconductor Corp.

DESCRIPTION:

The CENTRAL SEMICONDUCTOR BCX71 Series types are PNP Silicon Transistors manufactured by the epitaxial planar process, epoxy molded in a surface mount package, designed for general purpose switching and amplifier applications.

MARKING CODES: PLEASE SEE MARKING CODE TABLE ON FOLLOWING PAGE

MAXIMUM RATINGS ($T_A=25^\circ\text{C}$)

Collector-Base Voltage
Collector-Emitter Voltage
Emitter-Base Voltage
Collector Current
Peak Collector Current
Peak Base Current
Power Dissipation
Operating and Storage
Junction Temperature
Thermal Resistance

SYMBOL		UNITS
V_{CBO}	45	V
V_{CEO}	45	V
V_{EBO}	5.0	V
I_C	100	mA
I_{CM}	200	mA
I_{BM}	200	mA
P_D	350	mW
T_J, T_{stg}	-65 to +150	$^\circ\text{C}$
θ_{JA}	357	$^\circ\text{C/W}$

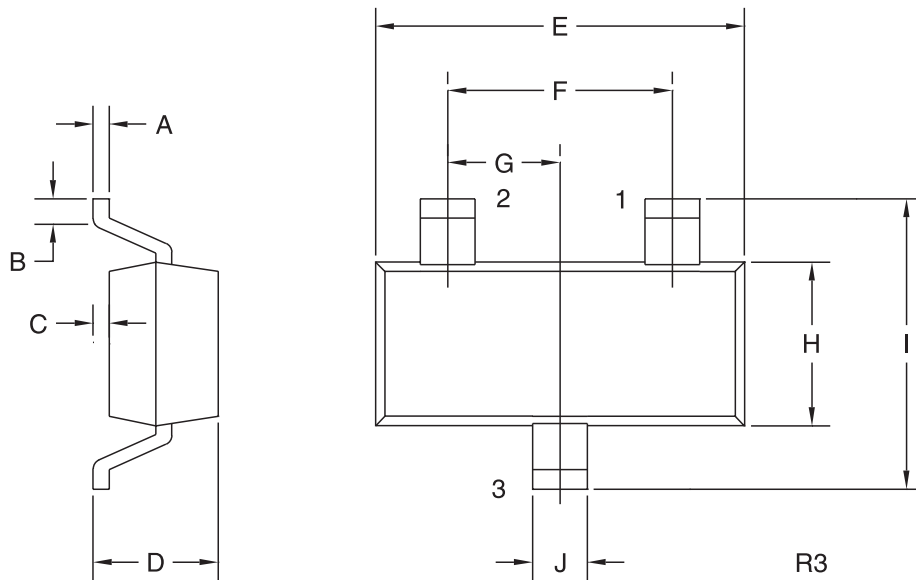
ELECTRICAL CHARACTERISTICS ($T_A=25^\circ\text{C}$ unless otherwise noted)

SYMBOL	TEST CONDITIONS	MIN	TYP	MAX	UNITS
I_{CBO}	$V_{CB}=45\text{V}$			20	nA
I_{CBO}	$V_{CB}=45\text{V}, T_A=150^\circ\text{C}$			20	μA
I_{EBO}	$V_{EB}=4.0\text{V}$			20	nA
BV_{CBO}	$I_C=10\mu\text{A}$	45			V
BV_{CEO}	$I_C=10\text{mA}$	45			V
BV_{EBO}	$I_E=1.0\mu\text{A}$	5.0			V
$V_{CE(SAT)}$	$I_C=10\text{mA}, I_B=250\mu\text{A}$	0.06		0.25	V
$V_{CE(SAT)}$	$I_C=50\text{mA}, I_B=1.25\text{mA}$	0.12		0.55	V
$V_{BE(SAT)}$	$I_C=10\text{mA}, I_B=250\mu\text{A}$	0.60		0.85	V
$V_{BE(SAT)}$	$I_C=50\text{mA}, I_B=1.25\text{mA}$	0.68		1.05	V
$V_{BE(ON)}$	$V_{CE}=5.0\text{V}, I_C=2.0\text{mA}$	0.60		0.75	V
f_T	$V_{CE}=5.0\text{V}, I_C=10\text{mA}, f=100\text{MHz}$	100			MHz
C_c	$V_{CB}=10\text{V}, I_E=0, f=1.0\text{MHz}$		4.5		pF
C_e	$V_{EB}=0.5\text{V}, I_C=0, f=1.0\text{MHz}$		11		pF
NF	$V_{CE}=5.0\text{V}, I_C=200\mu\text{A}, R_S=2.0\text{k}\Omega, f=1.0\text{kHz}, \text{BW}=200\text{Hz}$			6.0	dB

		<u>BCX71G</u>		<u>BCX71H</u>		<u>BCX71J</u>		<u>BCX71K</u>	
		MIN	MAX	MIN	MAX	MIN	MAX	MIN	MAX
h_{FE}	$V_{CE}=5.0\text{V}, I_C=10\mu\text{A}$	-		30		40		100	
h_{FE}	$V_{CE}=5.0\text{V}, I_C=2.0\text{mA}$	120	220	180	310	250	460	380	630
h_{FE}	$V_{CE}=1.0\text{V}, I_C=50\text{mA}$	60		80		100		110	

R1 (20-February 2003)

SOT-23 CASE - MECHANICAL OUTLINE



LEAD CODE:

- 1) BASE
- 2) EMITTER
- 3) COLLECTOR

DEVICE	MARKING CODE
BCX71G	BG
BCX71H	BH
BCX71J	BJ
BCX71K	BK

SYMBOL	DIMENSIONS			
	INCHES		MILLIMETERS	
	MIN	MAX	MIN	MAX
A	0.003	0.007	0.08	0.18
B	0.006	-	0.15	-
C	-	0.005	-	0.13
D	0.035	0.043	0.89	1.09
E	0.110	0.120	2.80	3.05
F	0.075		1.90	
G	0.037		0.95	
H	0.047	0.055	1.19	1.40
I	0.083	0.098	2.10	2.49
J	0.014	0.020	0.35	0.50

SOT-23 (REV: R3)