

CentralTM Semiconductor Corp.

145 Adams Ave., Hauppauge, NY 11788 USA
Phone (631) 435-1110 FAX (631) 435-1824

Manufacturers of World Class Discrete Semiconductors

www.centrasemi.com

BF469 BF471 NPN
BF470 BF472 PNP

COMPLEMENTARY
HIGH VOLTAGE
POWER TRANSISTORS

JEDEC TO-126 CASE

DESCRIPTION

The CENTRAL SEMICONDUCTOR BF469 Series types are complementary high voltage transistors designed for Class-B video output stages in television receivers and for high-voltage IF output stages.

MAXIMUM RATINGS (T_A=25°C unless otherwise noted)

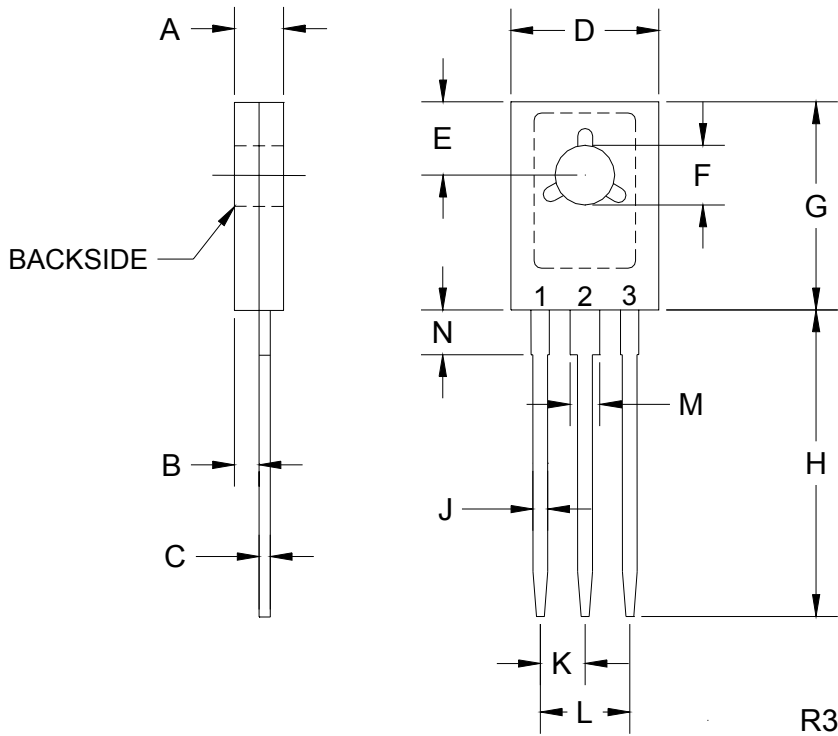
	SYMBOL	BF469 BF470	BF471 BF472	UNITS
Collector-Base Voltage	V _{CB0}	250	300	V
Collector-Emitter Voltage	V _{CEO}	250	300	V
Emitter-Base Voltage	V _{EBO}		5.0	V
Continuous Collector Current	I _C		50	mA
Peak Collector Current	I _{CM}		100	mA
Peak Base Current	I _{BM}		50	mA
Power Dissipation	P _D		1.25	W
Operating and Storage Junction Temperature	T _J , T _{stg}	-65 to +150		°C
Thermal Resistance	θ _{JA}	100		°C/W

ELECTRICAL CHARACTERISTICS (T_J=25°C unless otherwise noted)

SYMBOL	TEST CONDITIONS	MIN	MAX	UNITS
I _{CBO}	V _{CB} = 200V		10	nA
I _{CBO}	V _{CB} = 200V, T _J =150°C		10	μA
I _{EBO}	V _{EB} =5.0V		50	nA
BV _{CB0}	I _C =100μA (BF469, BF470)	250		V
BV _{CB0}	I _C =100μA (BF471, BF472)	300		V
BV _{CEO}	I _C =10mA (BF469, BF470)	250		V
BV _{CEO}	I _C =10mA (BF471, BF472)	300		V
V _{CE(SAT)}	I _C =30mA, I _B =5.0mA		0.6	V
h _{FE}	V _{CE} =20V, I _C =25mA	50		
C _{re}	V _{CE} =30V, I _C =i _C =0, f=1.0MHz		1.8	pF
f _T	V _{CE} =10V, I _C =10mA, f=100MHz	60		MHz

(Continued)

TO-126 CASE - MECHANICAL OUTLINE



SYMBOL	INCHES		MILLIMETERS	
	MIN	MAX	MIN	MAX
A	0.094	0.110	2.40	2.80
B	0.050		1.27	
C	0.015	0.030	0.38	0.75
D	0.291	0.335	7.40	8.50
E	0.148		3.75	
F	0.118	0.134	3.00	3.40
G	0.413	0.472	10.50	12.00
H	0.618		15.70	
J	0.024	0.035	0.62	0.90
K	0.089		2.25	
L	0.177		4.50	
M	0.045	0.055	1.14	1.40
N	0.083		2.10	

TO-126 (REV:R3)

Lead Code:

- 1) Emitter
- 2) Collector
- 3) Base

CentralTM
Semiconductor Corp.

145 Adams Ave., Hauppauge, NY 11788 USA
Phone (631) 435-1110 FAX (631) 435-1824

Manufacturers of World Class Discrete Semiconductors

www.centrasemi.com