

**CMSH3-20M**  
**CMSH3-40M**  
**CMSH3-60M**  
**CMSH3-100M**

**HIGH DENSITY**  
**SCHOTTKY BARRIER RECTIFIER**  
**3.0 AMP, 20 THRU 100 VOLTS**

# Central<sup>TM</sup>

## Semiconductor Corp.

### FEATURES:

- HIGH CURRENT CAPABILITY
- FLAMMABILITY CLASSIFICATION UL94V-0
- HIGH DENSITY, SUPER MINI DEVICE
- SUPERIOR LOT TO LOT CONSISTENCY
- LOW COST
- "C" BEND CONSTRUCTION PROVIDES STRAIN RELIEF WHEN MOUNTED ON PC BOARD
- HIGH RELIABILITY

**HIGH DENSITY**  
**S C H O T T K Y**



**SMB CASE**

### DESCRIPTION:

The CENTRAL SEMICONDUCTOR 3.0 Amp Surface Mount Silicon Schottky Rectifier is a high quality, well constructed, highly reliable component designed for use in all types of commercial, industrial, entertainment, computer, and automotive applications. To order devices on 12mm Tape and Reel (3000/13" Reel), add TR13 suffix to part number.

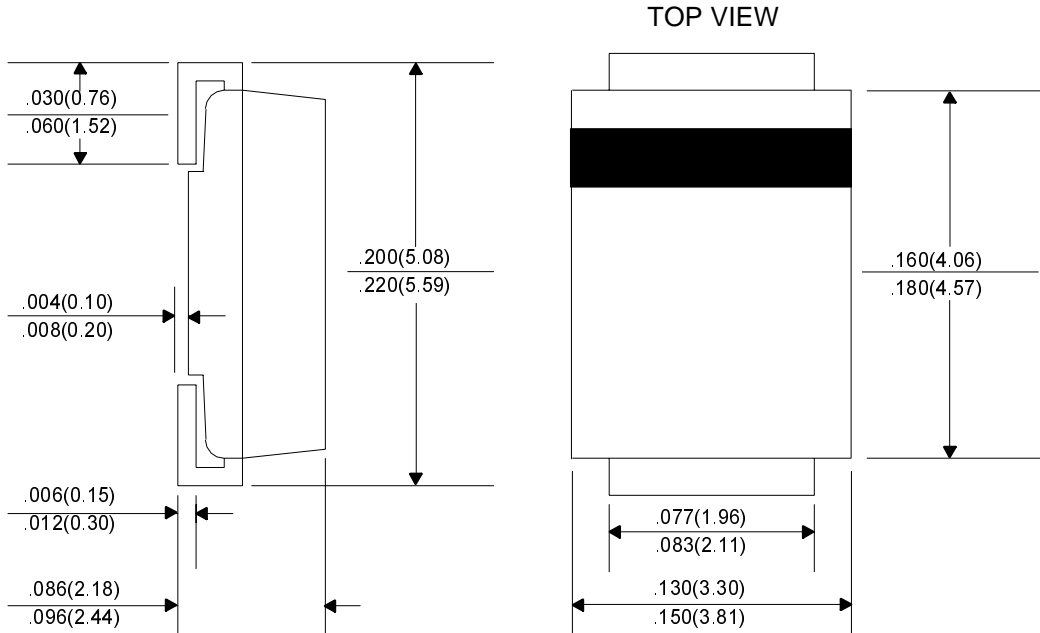
**MAXIMUM RATINGS:** ( $T_A=25^{\circ}\text{C}$  unless otherwise noted)

CMSH3	SYMBOL	CMSH3				UNITS
		-20M	-40M	-60M	-100M	
Peak Repetitive Reverse Voltage	$V_{RRM}$	20	40	60	100	V
DC Blocking Voltage	$V_R$	20	40	60	100	V
RMS Reverse Voltage	$V_{R(RMS)}$	14	28	42	71	V
Average Forward Current ( $T_L=75^{\circ}\text{C}$ )	$I_O$			3.0		A
Peak Forward Surge Current (8.3ms)	$I_{FSM}$			80		A
Operating and Storage						
Junction Temperature	$T_J, T_{stg}$		-65 to +150			$^{\circ}\text{C}$
Thermal Resistance	$\theta_{JL}$		20			$^{\circ}\text{C/W}$

**ELECTRICAL CHARACTERISTICS:** ( $T_A=25^{\circ}\text{C}$  unless otherwise noted)

SYMBOL	TEST CONDITIONS	MIN	TYP	MAX	UNITS
$I_R$	$V_R$ =Rated $V_{RRM}$			500	$\mu\text{A}$
$I_R$	$V_R$ =Rated $V_{RRM}, T_A=100^{\circ}\text{C}$			20	mA
$V_F$	$I_F=3.0\text{A}$ (CMSH3-20M AND CMSH3-40M)			0.55	V
$V_F$	$I_F=3.0\text{A}$ (CMSH3-60M)			0.75	V
$V_F$	$I_F=3.0\text{A}$ (CMSH3-100M)			0.85	V
$C_J$	$V_R=4.0\text{V}, f=1.0\text{MHz}$		280		pF

All Dimensions in Inches (mm).



**Marking Codes:**

DEVICE	MARKING CODE
CMSH3-20M	CS320M
CMSH3-40M	CS340M
CMSH3-60M	CS360M
CMSH3-100M	CS3100M