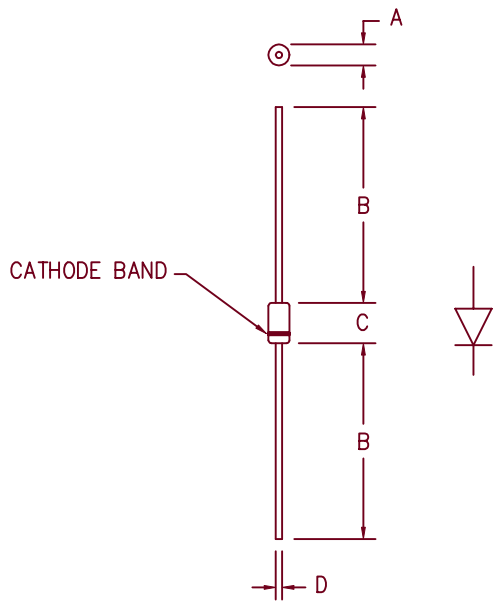


1 Amp Schottky Rectifier MS104 — MS106



Dim.	Inches		Millimeter		Notes
	Minimum	Maximum	Minimum	Maximum	
A	.081	.107	2.057	2.718	Dia.
B	1.10	---	27.94	---	
C	.160	.205	4.064	5.207	
D	.028	.034	.711	.864	Dia.

PLASTIC D041

Microsemi Catalog Number	Industry Part Number	Working Peak Reverse Voltage	Repetitive Peak Reverse Voltage
MS104		40V	40V
MS105	MBR150	50V	50V
MS106	MBR160 SR106	60V	60V

- Schottky Barrier Rectifier
- Guard Ring Protection
- 175°C Junction Temperature
- VRRM 40 to 60 Volts

Electrical Characteristics

Average forward current	I _{F(AV)} 1.0 Amps	TA = 129°C Square wave, R _{θJL} = 15°C/W, L = 1/4"
Maximum surge current	I _{FSM} 50 Amps	8.3ms, half sine, T _J = 175°C
Max peak forward voltage	V _{FM} .69 Volts	I _{FM} = 1.0A; T _J = 25°C*
Max peak reverse current	I _{RM} 100 μA	V _{RRM} , T _J = 25°C
Typical junction capacitance	C _J 53pF	V _R = 5.0V, T _J = 25°C

*Pulse test: Pulse width 300 μsec, Duty cycle 2%

Thermal and Mechanical

Storage temperature range	T _{STG}	-55°C to 175°C
Operating junction temp range	T _J	-55°C to 175°C
Maximum thermal resistance	L = 1/4" R _{θJL}	15°C/W Junction to Lead
Weight		.011 ounces (0.34 grams) typical

11-21-01 Rev. 2

MS104 — MS106

Figure 1
Typical Forward Characteristics

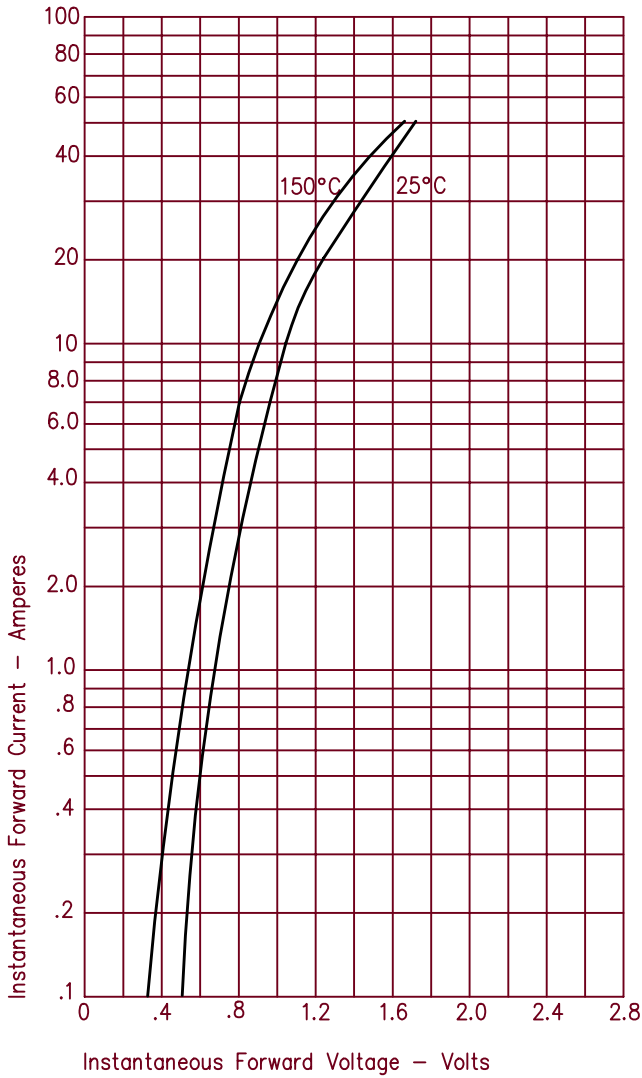


Figure 3
Typical Junction Capacitance

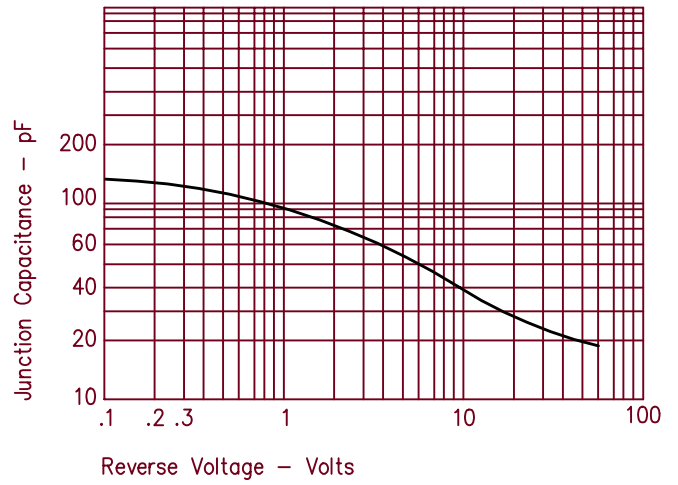


Figure 2
Typical Reverse Characteristics

