

# SHINDENGEN

## Schottky Rectifiers (SBD)

## SBD Bridges

# D4SBS4

## 40V 4A

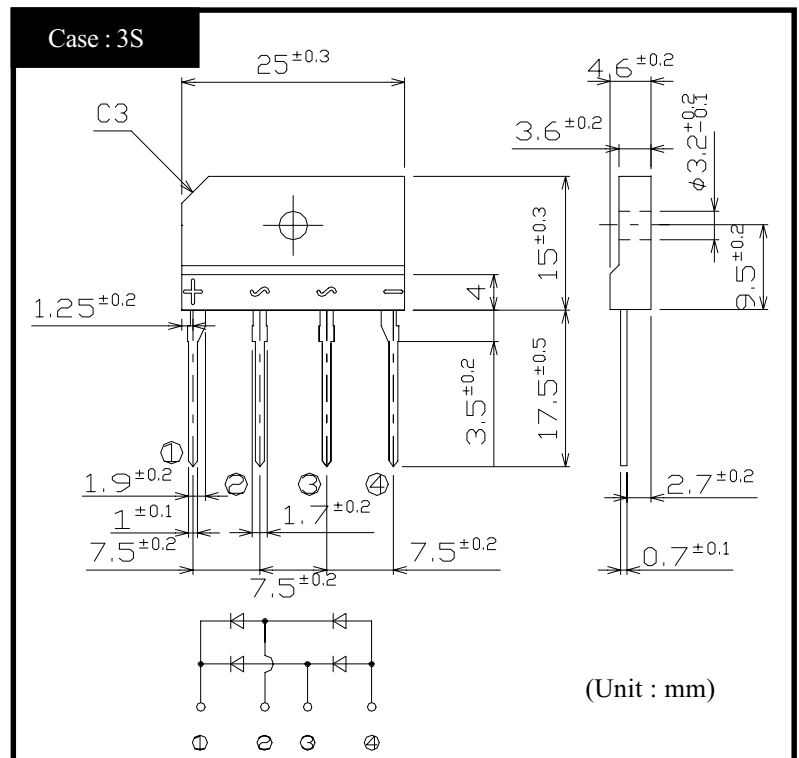
### FEATURES

- Thin Single In-Line Package
- SBD Bridge
- Low VF

### APPLICATION

- Switching power supply
- Home Appliances, Office Equipment
- Telecommunication, Factory Automation

### OUTLINE DIMENSIONS



### RATINGS

#### ● Absolute Maximum Ratings (If not specified Tc=25°C)

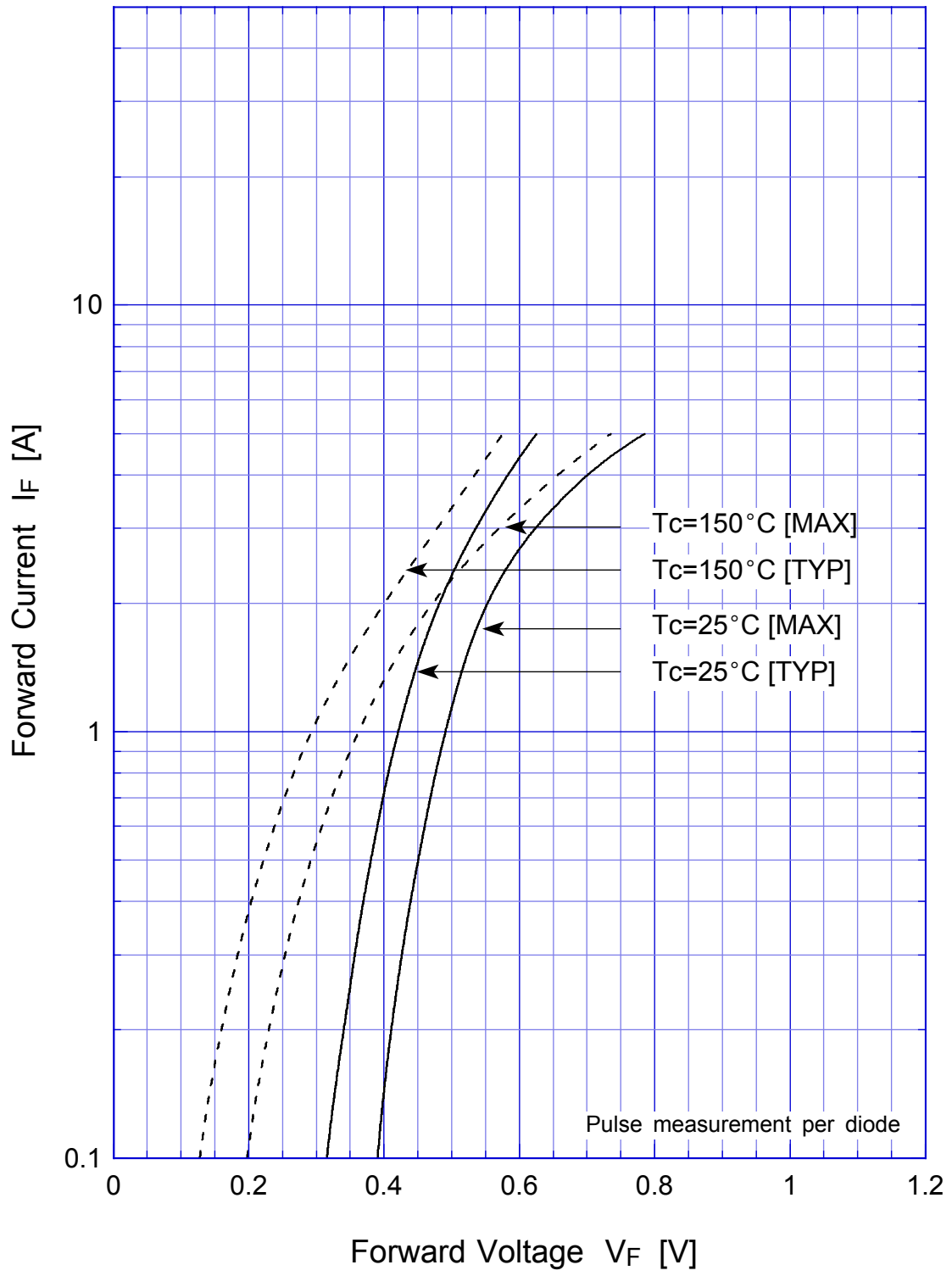
Item	Symbol	Conditions	Ratings	Unit
Storage Temperature	Tstg		-55~150	°C
Operating Junction Temperature	Tj		150	°C
Maximum Reverse Voltage	V <sub>RM</sub>		40	V
Repetitive Peak Surge Reverse Voltage	V <sub>RRSM</sub>	Pulse width 0.5ms, duty 1/40	45	V
Average Rectified Forward Current	I <sub>O</sub>	50Hz sine wave, R-load With heatsink Tc=116°C	4	A
		50Hz sine wave, R-load Without heatsink Ta=33°C	2.3	
Peak Surge Forward Current	I <sub>FSM</sub>	50Hz sine wave, Non-repetitive 1cycle peak value, Tj=25°C	60	A
Repetitive Peak Surge Reverse Power	P <sub>RRSM</sub>	Pulse width 10 μs, Rating of per diode, Tj=25°C	160	W
Dielectric Strength	Vdis	Terminals to case, AC 1 minute	2	kV
Mounting Torque	TOR	( Recommended torque: 0.5N·m)	0.8	N·m

#### ● Electrical Characteristics (If not specified Tc=25°C)

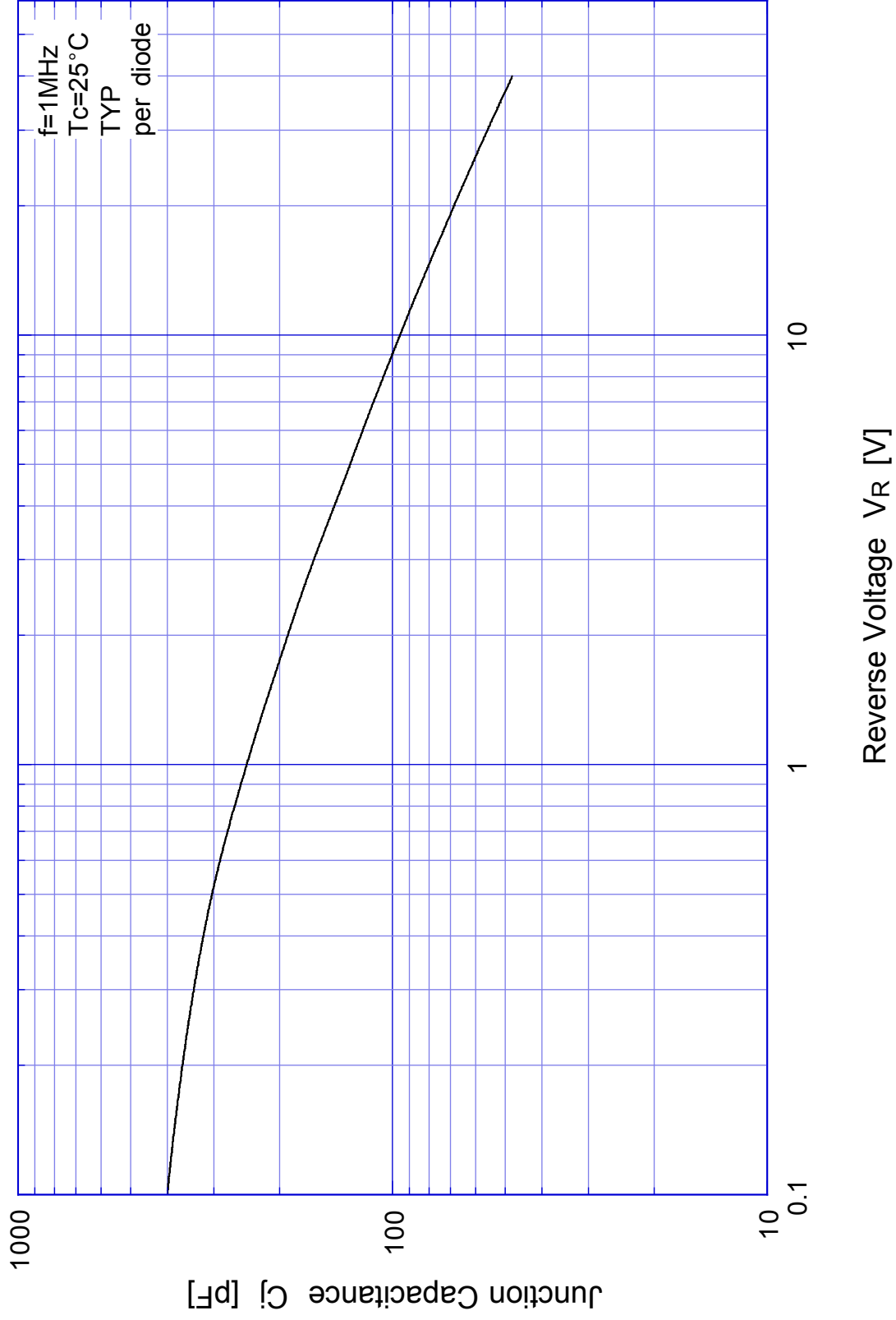
Item	Symbol	Conditions	Ratings	Unit
Forward Voltage	V <sub>F</sub>	IF=2A, Pulse measurement, Rating of per diode	Max.0.55	V
Reverse Current	I <sub>R</sub>	VR=VRM, Pulse measurement, Rating of per diode	Max.2	mA
Junction Capacitance	Cj	f=1MHz, VR=10V, Rating of per arm	TYP 95	pF
Thermal Resistance	θjc	junction to case With heatsink	Max.5.5	°C/W
	θjl	junction to lead Without heatsink	Max.6	
	θja	junction to ambient Without heatsink	Max.40	

# D4SBS4

## Forward Voltage

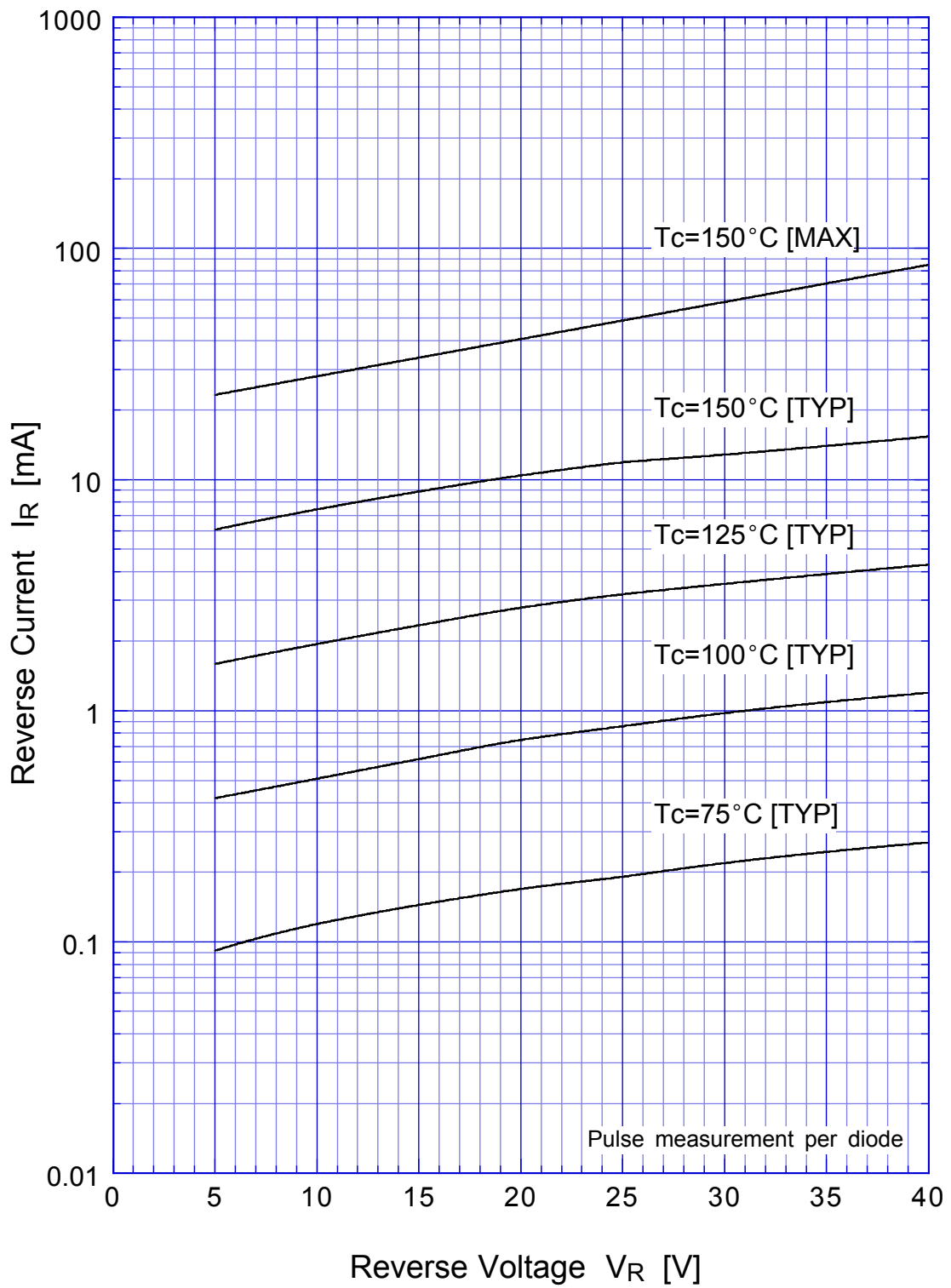


## D4SBS4 Junction Capacitance

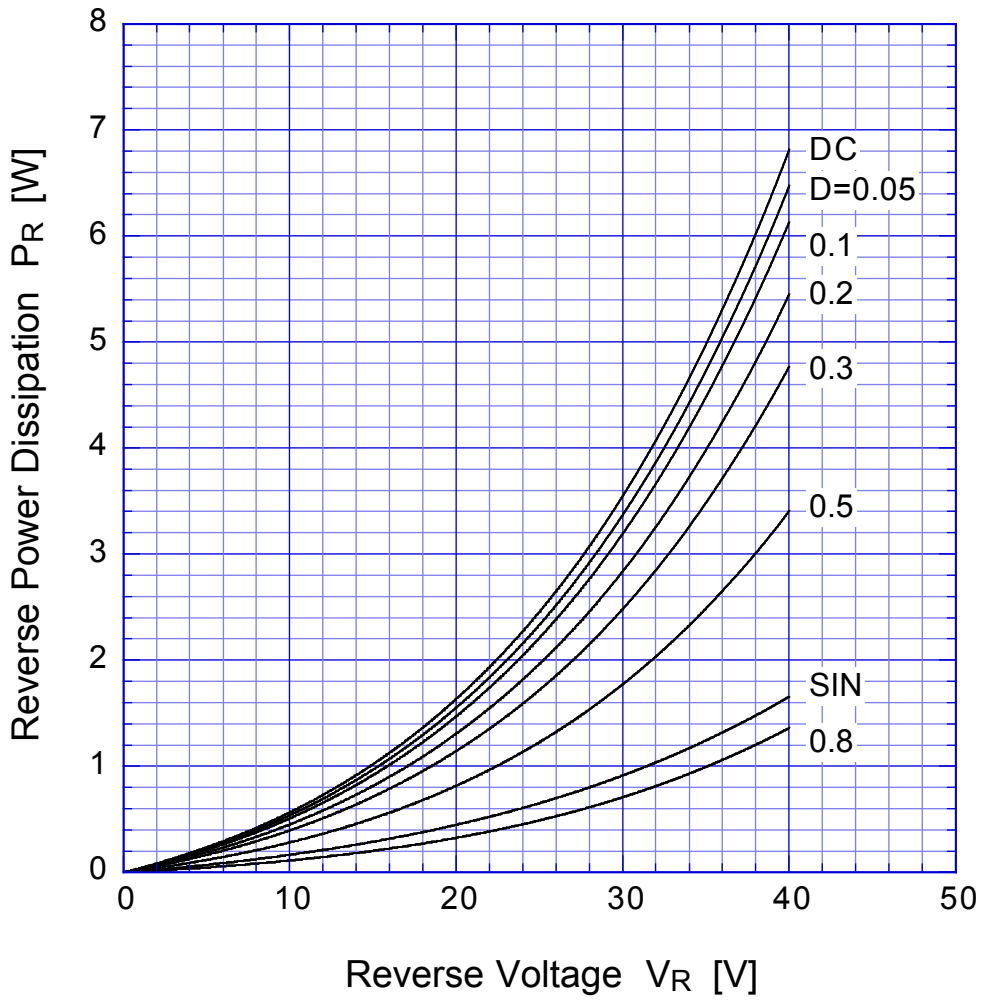


# D4SBS4

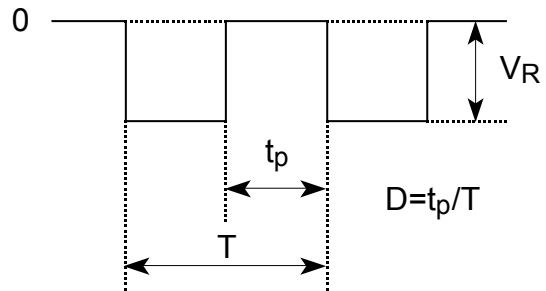
## Reverse Current



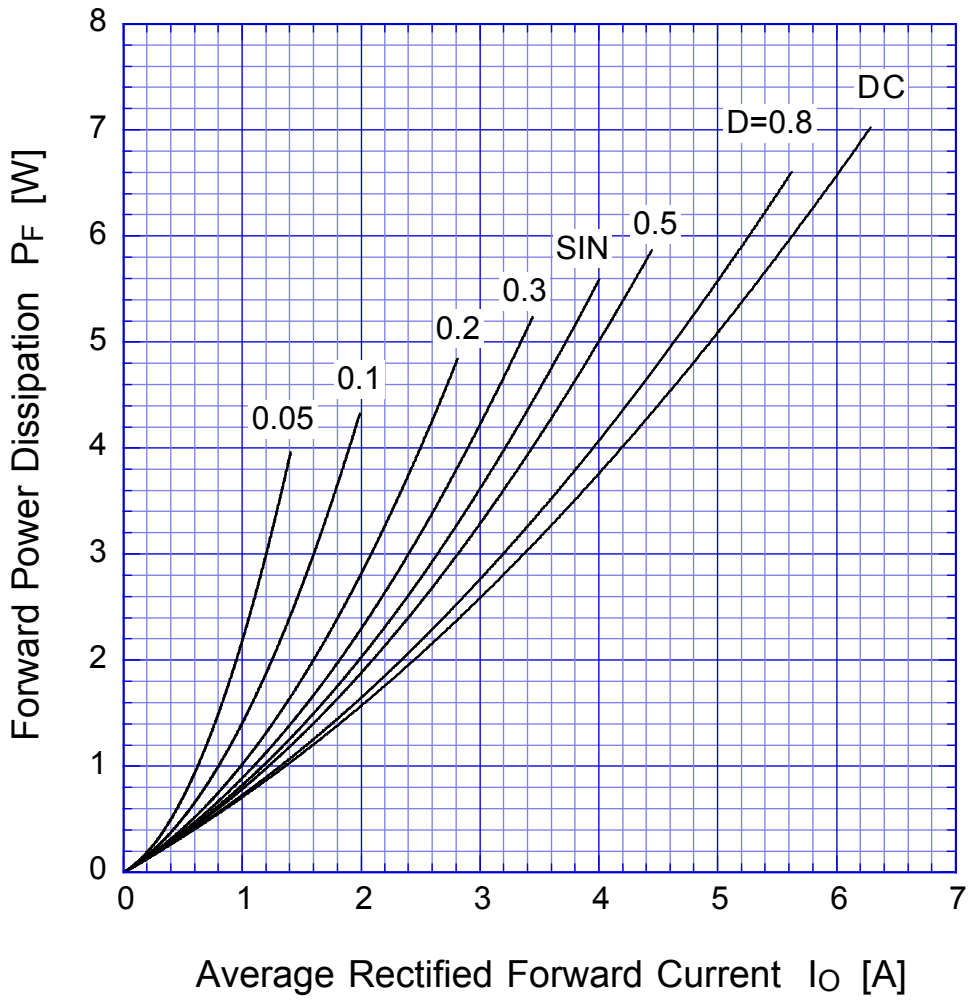
# D4SBS4 Reverse Power Dissipation



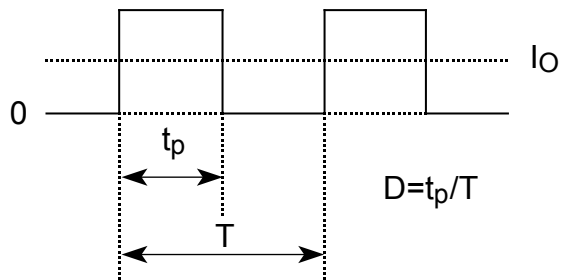
$T_j = 150^\circ\text{C}$



# D4SBS4 Forward Power Dissipation

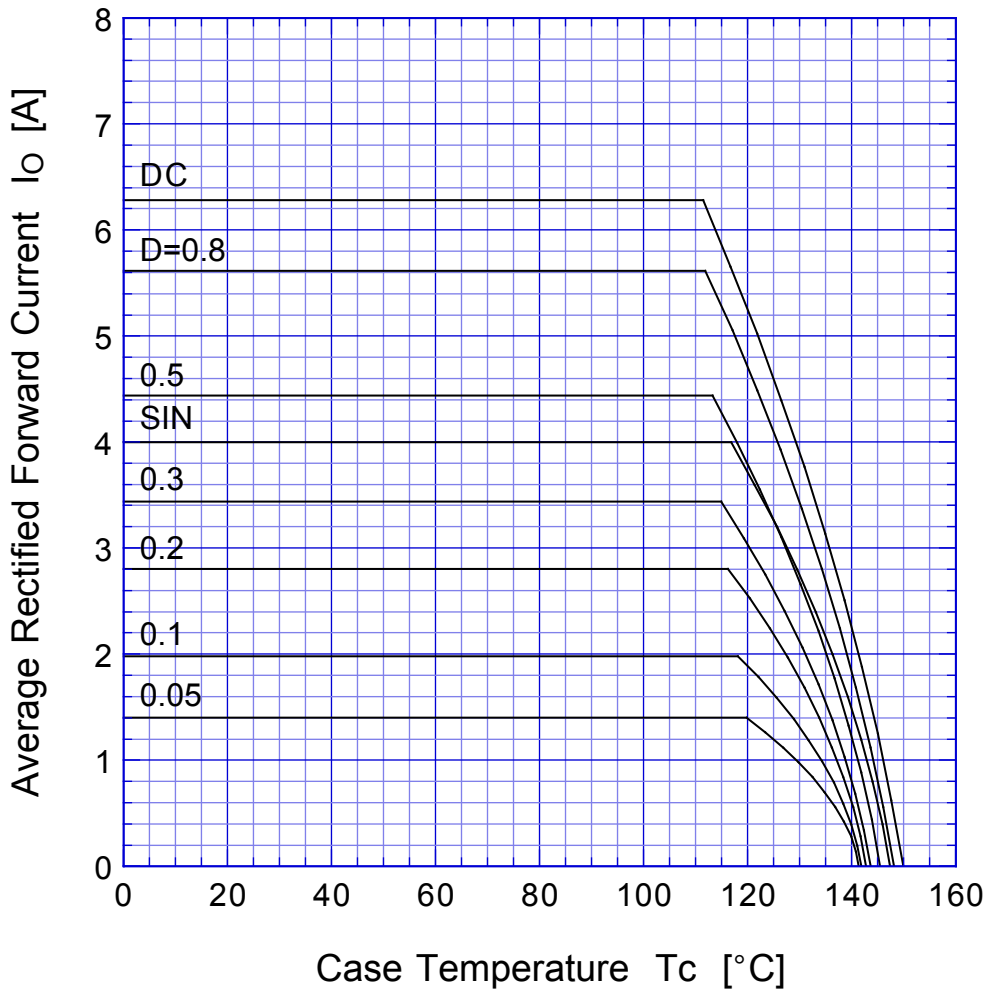


$T_j = 150^\circ\text{C}$

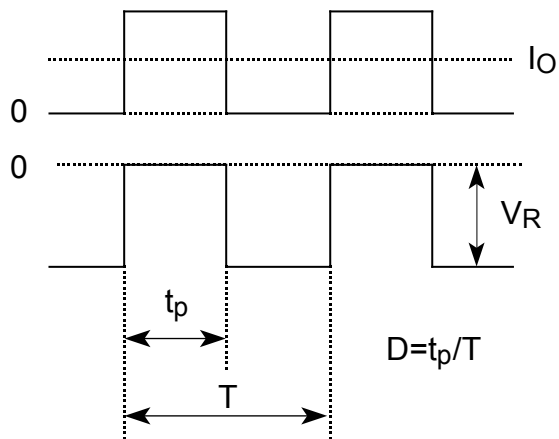


# D4SBS4

# Derating Curve

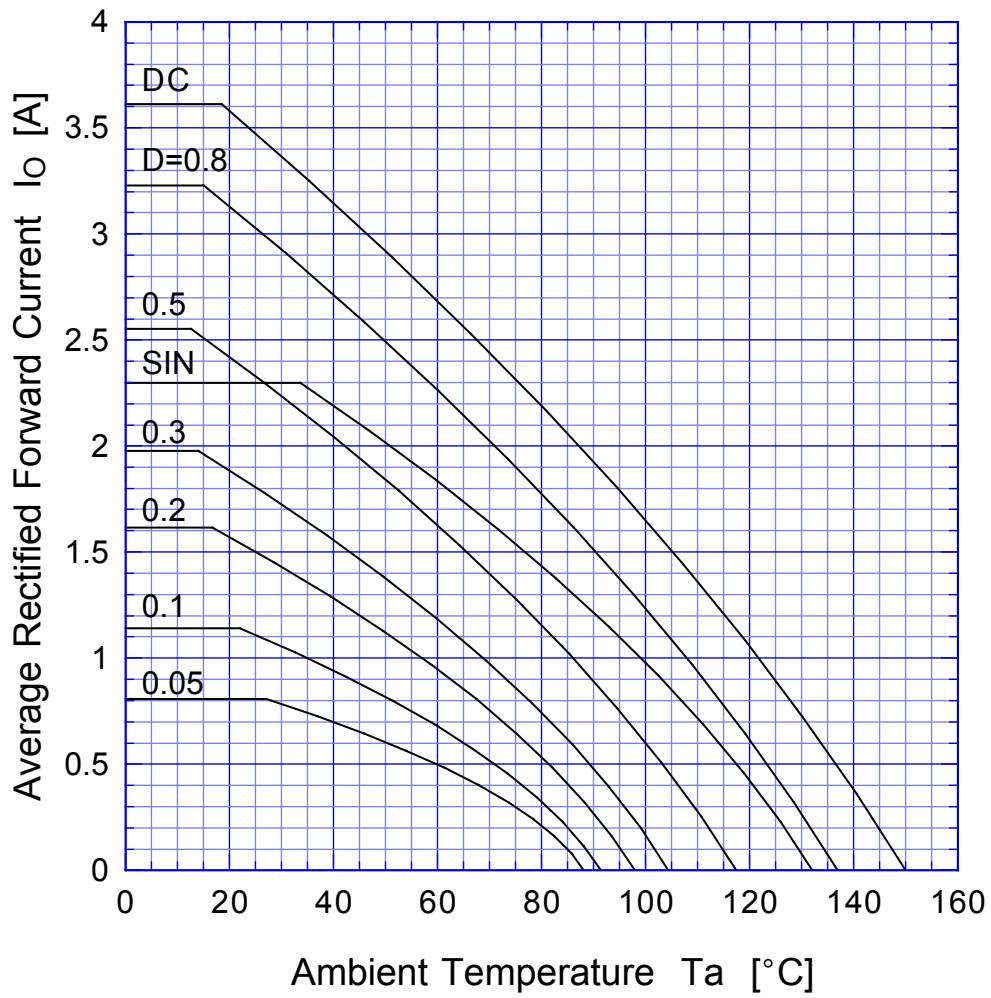


$V_R = 20V$

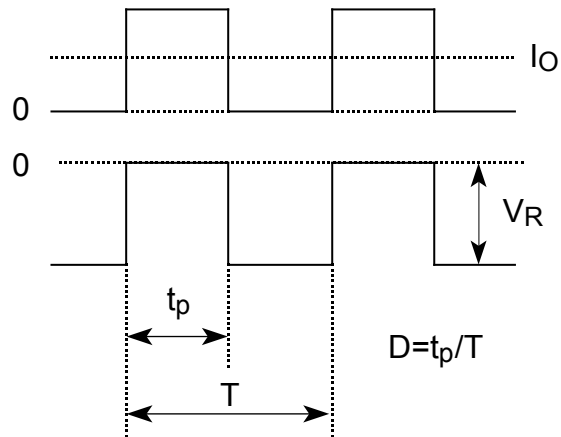


# D4SBS4

# Derating Curve

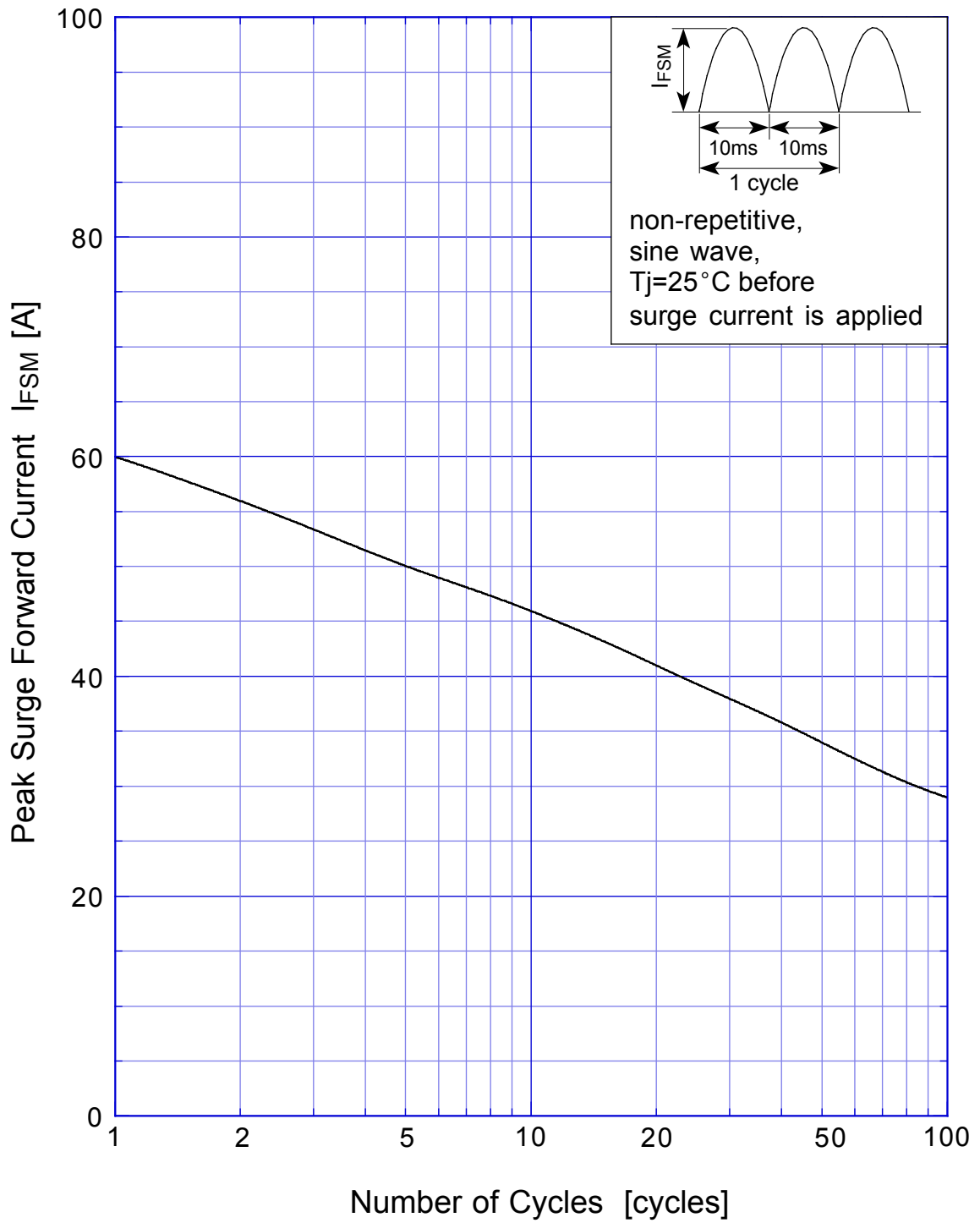


$V_R = 20V$

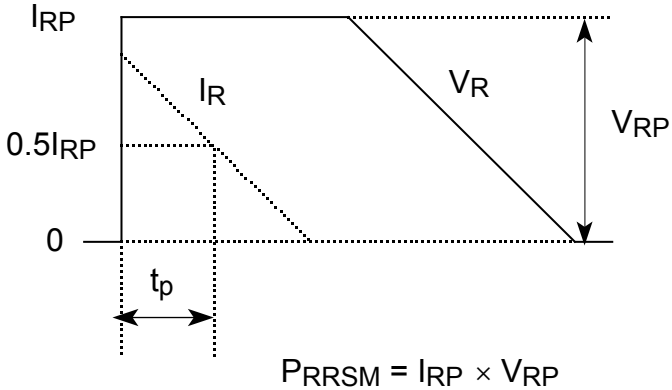


# D4SBS4

## Peak Surge Forward Capability



# SBD Repetitive Surge Reverse Power Derating Curve



# SBD

## Repetitive Surge Reverse Power Capability

