

OP282/OP482

FEATURES

High Slew Rate: 9 V/ μ s
 Wide Bandwidth: 4 MHz
 Low Supply Current: 250 μ A/Amplifier
 Low Offset Voltage: 3 mV
 Low Bias Current: 100 pA
 Fast Settling Time
 Common-Mode Range Includes V+
 Unity Gain Stable

APPLICATIONS

Active Filters
 Fast Amplifiers
 Integrators
 Supply Current Monitoring

GENERAL DESCRIPTION

The OP282/OP482 dual and quad operational amplifiers feature excellent speed at exceptionally low supply currents. Slew rate exceeds 7 V/ μ s with supply current under 250 μ A per amplifier. These unity gain stable amplifiers have a typical gain bandwidth of 4 MHz.

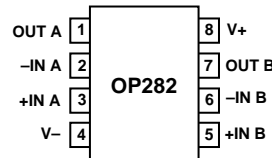
The JFET input stage of the OP282/OP482 insures bias current is typically a few picoamps and below 500 pA over the full temperature range. Offset voltage is under 3 mV for the dual and under 4 mV for the quad.

With a wide output swing, within 1.5 volts of each supply, low power consumption and high slew rate, the OP282/OP482 are ideal for battery-powered systems or power restricted applications. An input common-mode range that includes the positive supply makes the OP282/OP482 an excellent choice for high-side signal conditioning.

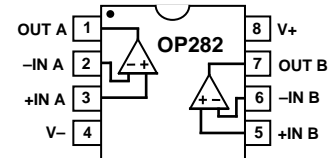
The OP282/OP482 are specified over the extended industrial temperature range. Both dual and quad amplifiers are available in plastic and ceramic DIP plus SOIC surface mount packages.

PIN CONNECTIONS

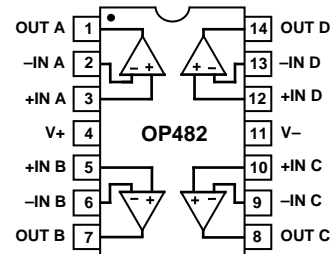
8-Lead Narrow-Body SOIC
(S Suffix)



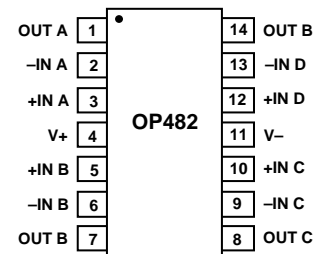
8-Lead Epoxy DIP
(P Suffix)



14-Lead Epoxy DIP
(P Suffix)



14-Lead Narrow-Body SOIC
(S Suffix)



REV. B

Information furnished by Analog Devices is believed to be accurate and reliable. However, no responsibility is assumed by Analog Devices for its use, nor for any infringements of patents or other rights of third parties which may result from its use. No license is granted by implication or otherwise under any patent or patent rights of Analog Devices.

OP282/OP482–SPECIFICATIONS

ELECTRICAL CHARACTERISTICS (@ $V_S = \pm 15.0\text{ V}$, $T_A = +25^\circ\text{C}$ unless otherwise noted)

Parameter	Symbol	Conditions	Min	Typ	Max	Units
INPUT CHARACTERISTICS						
Offset Voltage	V_{OS}	OP282		0.2	3	mV
Offset Voltage	V_{OS}	OP282, $-40 \leq T_A \leq +85^\circ\text{C}$			4.5	mV
Offset Voltage	V_{OS}	OP482		0.2	4	mV
Offset Voltage	V_{OS}	OP482, $-40 \leq T_A \leq +85^\circ\text{C}$			6	mV
Input Bias Current	I_B	$V_{CM} = 0\text{ V}$		3	100	pA
Input Bias Current	I_B	$V_{CM} = 0\text{ V}$, Note 1			500	pA
Input Offset Current	I_{OS}	$V_{CM} = 0\text{ V}$		1	50	pA
Input Offset Current	I_{OS}	$V_{CM} = 0\text{ V}$, Note 1			250	pA
Input Voltage Range			-11		+15	V
Common-Mode Rejection	CMR	$-11\text{ V} \leq V_{CM} \leq +15\text{ V}$, $-40 \leq T_A \leq +85^\circ\text{C}$	70	90		dB
Large Signal Voltage Gain	A_{VO}	$R_L = 10\text{ k}\Omega$	20			V/mV
Large Signal Voltage Gain	A_{VO}	$R_L = 10\text{ k}\Omega$, $-40 \leq T_A \leq +85^\circ\text{C}$	15			V/mV
Offset Voltage Drift	$\Delta V_{OS}/\Delta T$			10		$\mu\text{V}/^\circ\text{C}$
Bias Current Drift	$\Delta I_B/\Delta T$			8		$\text{pA}/^\circ\text{C}$
OUTPUT CHARACTERISTICS						
Output Voltage Swing	V_O	$R_L = 10\text{ k}\Omega$	-13.5	± 13.9	13.5	V
Short Circuit Limit	I_{SC}	Source	3	10		mA
Short Circuit Limit	I_{SC}	Sink	-8	-12		mA
Open-Loop Output Impedance	Z_{OUT}	$f = 1\text{ MHz}$		200		Ω
POWER SUPPLY						
Power Supply Rejection Ratio	PSRR	$V_S = \pm 4.5\text{ V to } \pm 18\text{ V}$, $-40 \leq T_A \leq +85^\circ\text{C}$		25	316	$\mu\text{V}/\text{V}$
Supply Current/Amplifier	I_{SY}	$V_O = 0\text{ V}$, $40 \leq T_A \leq +85^\circ\text{C}$		210	250	μA
Supply Voltage Range	V_S		± 4.5		± 18	V
DYNAMIC PERFORMANCE						
Slew Rate	SR	$R_L = 10\text{ k}\Omega$	7	9		$\text{V}/\mu\text{s}$
Full-Power Bandwidth	BW_P	1% Distortion		125		kHz
Settling Time	t_s	To 0.01%		1.6		μs
Gain Bandwidth Product	GBP			4		MHz
Phase Margin	\emptyset_O			55		Degrees
NOISE PERFORMANCE						
Voltage Noise	$e_n\text{ p-p}$	0.1 Hz to 10 Hz		1.3		$\mu\text{V p-p}$
Voltage Noise Density	e_n	$f = 1\text{ kHz}$		36		$\text{nV}/\sqrt{\text{Hz}}$
Current Noise Density	i_n			0.01		$\text{pA}/\sqrt{\text{Hz}}$

NOTE

¹The input bias and offset currents are tested at $T_A = T_J = +85^\circ\text{C}$. Bias and offset currents are guaranteed but not tested at -40°C .

Specifications subject to change without notice.

WAFER TEST LIMITS (@ $V_S = \pm 15.0\text{ V}$, $T_A = +25^\circ\text{C}$ unless otherwise noted)

Parameter	Symbol	Conditions	Limit	Units
Offset Voltage	V_{OS}	OP282	3	mV max
Offset Voltage	V_{OS}	OP482	4	mV max
Input Bias Current	I_B	$V_{CM} = 0\text{ V}$	100	pA max
Input Offset Current	I_{OS}	$V_{CM} = 0\text{ V}$	50	pA max
Input Voltage Range ¹			-11, +15	V min/max
Common-Mode Rejection	CMRR	$-11\text{ V} \leq V_{CM} \leq +15\text{ V}$	70	dB min
Power Supply Rejection Ratio	PSRR	$V = \pm 4.5\text{ V to } \pm 18\text{ V}$	316	$\mu\text{V}/\text{V}$
Large Signal Voltage Gain	A_{VO}	$R_L = 10\text{ k}\Omega$	20	V/mV min
Output Voltage Range	V_O	$R_L = 10\text{ k}\Omega$	± 13.5	V min
Supply Current/Amplifier	I_{SY}	$V_O = 0\text{ V}$, $R_L = \infty$	250	μA max

NOTES

Electrical tests and wafer probe to the limits shown. Due to variations in assembly methods and normal yield loss, yield after packaging is not guaranteed for standard product dice. Consult factory to negotiate specifications based on dice lot qualifications through sample lot assembly and testing.

¹Guaranteed by CMR test.

Specifications subject to change without notice.

ABSOLUTE MAXIMUM RATINGS

Supply Voltage	±18 V
Input Voltage ¹	±18 V
Differential Input Voltage ¹	36 V
Output Short-Circuit Duration	Indefinite
Storage Temperature Range	
P, S Packages	-65°C to +150°C
Operating Temperature Range	
OP282A, OP482A	-55°C to +125°C
OP282G, OP482G	-40°C to +85°C
Junction Temperature Range	
P, S Packages	-65°C to +125°C
Lead Temperature Range (Soldering, 60 sec)	+300°C

Package Type	θ_{JA}^2	θ_{JC}	Units
8-Pin Plastic DIP (P)	103	43	°C/W
8-Pin SOIC (S)	158	43	°C/W
14-Pin Plastic DIP (P)	83	39	°C/W
14-Pin SOIC (S)	120	36	°C/W

NOTES

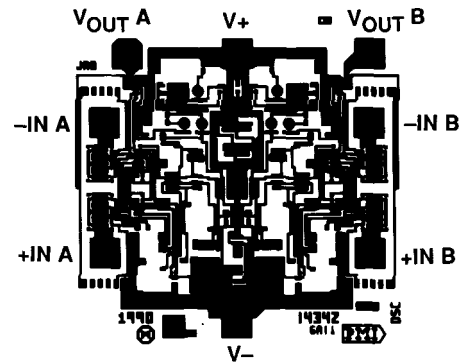
¹For supply voltages less than ±18 V, the absolute maximum input voltage is equal to the supply voltage.

² θ_{JA} is specified for the worst case conditions, i.e., θ_{JA} is specified for device in socket for cerdip, P-DIP; θ_{JA} is specified for device soldered in circuit board for SOIC package.

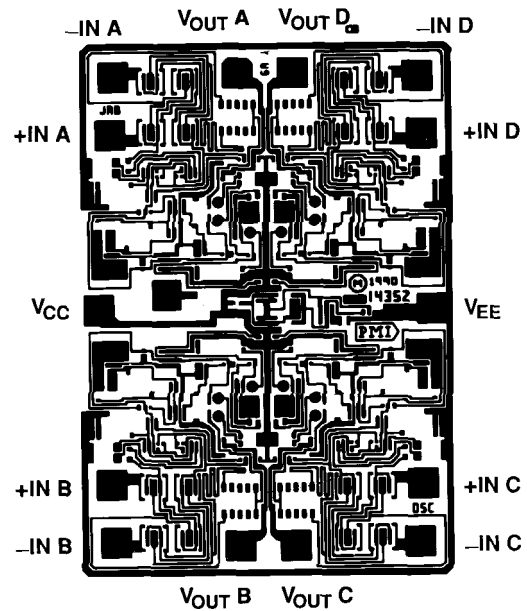
ORDERING GUIDE

Model	Temperature Range	Package Description	Package Option
OP282GP	-40°C to +85°C	8-Pin Plastic DIP	N-8
OP282GS	-40°C to +85°C	8-Pin SOIC	SO-8
OP482GP	-40°C to +85°C	14-Pin Plastic DIP	N-14
OP482GS	-40°C to +85°C	14-Pin SOIC	SO-14

DICE CHARACTERISTICS



OP282 Die Size 0.063 × 0.060 Inch, 3,780 Sq. Mils



OP482 Die Size 0.070 × 0.098 Inch, 6,860 Sq. Mils

OP282/OP482

APPLICATIONS INFORMATION

The OP282 and OP482 are single and dual JFET op amps that have been optimized for high speed at low power. This combination makes these amplifiers excellent choices for battery powered or low power applications requiring above average performance. Applications benefiting from this performance combination include telecom, geophysical exploration, portable medical equipment and navigational instrumentation.

HIGH SIDE SIGNAL CONDITIONING

There are many applications that require the sensing of signals near the positive rail. OP282s and OP482s have been tested and guaranteed over a common-mode range ($-11\text{ V} \leq V_{CM} \leq +15\text{ V}$) that includes the positive supply.

One application where this is commonly used is in the sensing of power supply currents. This enables it to be used in current sensing applications such as the partial circuit shown in Figure 1. In this circuit, the voltage drop across a low value resistor, such as the $0.1\ \Omega$ shown here, is amplified and compared to 7.5 volts. The output can then be used for current limiting.

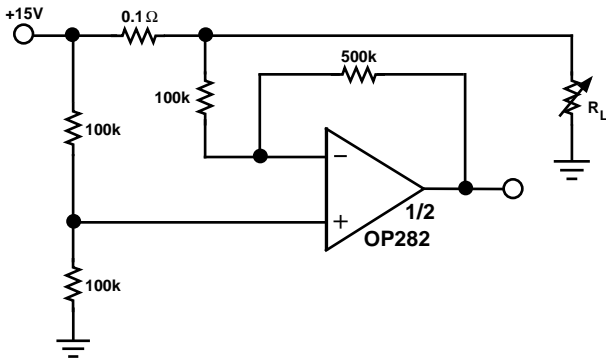


Figure 1. Phase Inversion

PHASE INVERSION

Most JFET-input amplifiers will invert the phase of the input signal if either input exceeds the input common-mode range. For the OP282 and OP482 negative signals in excess of approximately 14 volts will cause phase inversion. The cause of this effect is saturation of the input stage leading to the forward-biasing of a drain-gate diode. A simple fix for this in noninverting applications is to place a resistor in series with the noninverting input. This limits the amount of current through the forward-biased diode and prevents the shutting down of the output stage. For the OP282/OP482, a value of $200\text{ k}\Omega$ has been found to work. However, this adds a significant amount of noise.

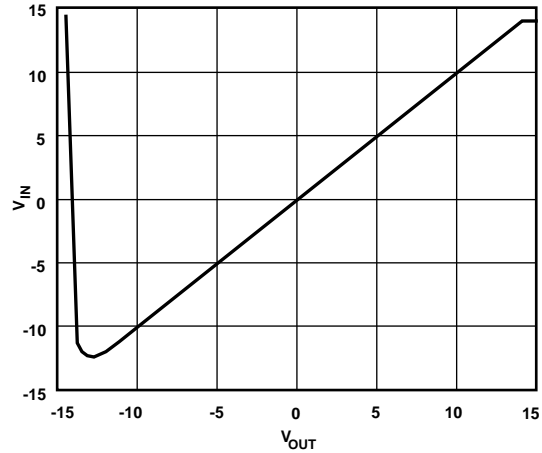


Figure 2. OP282 Phase Reversal

ACTIVE FILTERS

The OP282 and OP482's wide bandwidth and high slew rates make either an excellent choice for many filter applications.

There are many types of active filter configurations, but the four most popular configurations are Butterworth, elliptical, Bessel, and Chebyshev. Each type has a response that is optimized for a given characteristic as shown in Table I.

PROGRAMMABLE STATE-VARIABLE FILTER

Table I.

Type	Selectivity	Overshoot	Phase	Amplitude (Pass Band)	Amplitude (Stop Band)
Butterworth	Moderate	Good	Nonlinear	Max Flat	Equal Ripple
Chebyshev	Good	Moderate			
Elliptical	Best	Poor	Linear	Equal Ripple	Equal Ripple
Bessel (Thompson)	Poor	Best			

OP282/OP482

OP282/OP482 SPICE MACRO MODEL

Figure 4 shows the OP282 SPICE macro model. The model for the OP482 is similar to that of the OP282, but there are some

minor changes in the circuit values. Contact ADI for a copy of the latest SPICE model diskette for both listings.

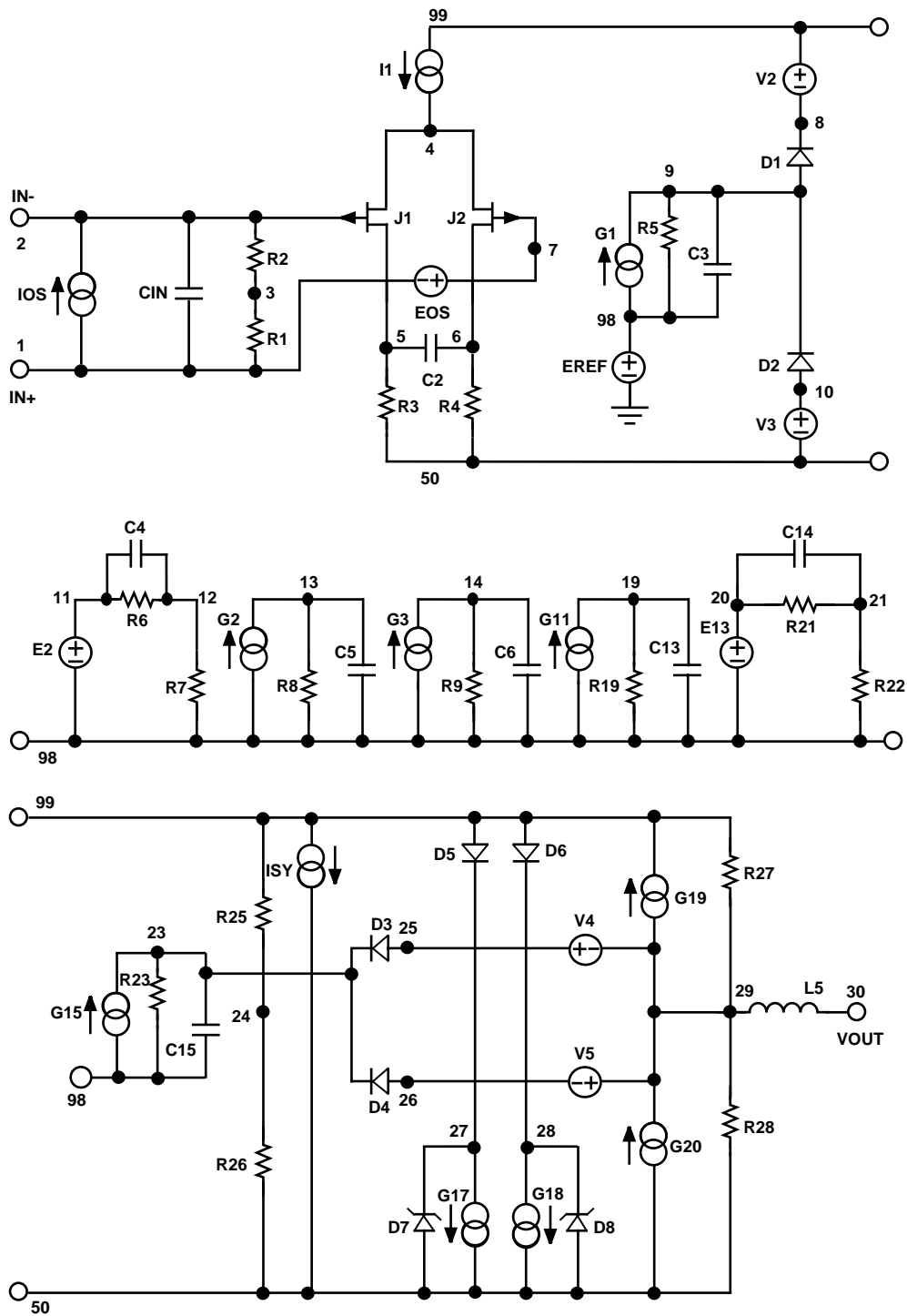


Figure 4.

OP282/OP482

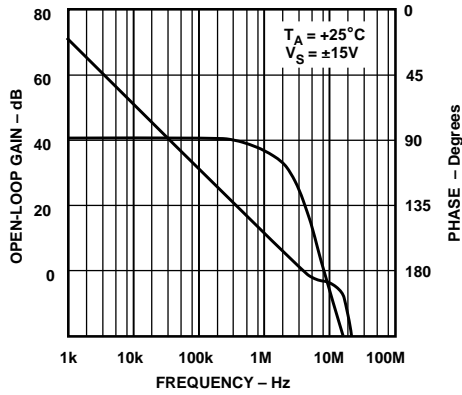


Figure 5. Open-Loop Gain, Phase vs. Frequency

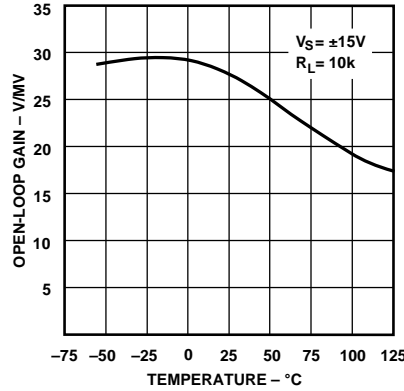


Figure 8. Open-Loop Gain (V/mV) vs. Temperature

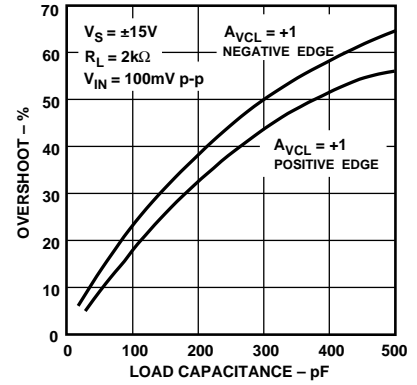


Figure 11. Small Signal Overshoot vs. Load Capacitance

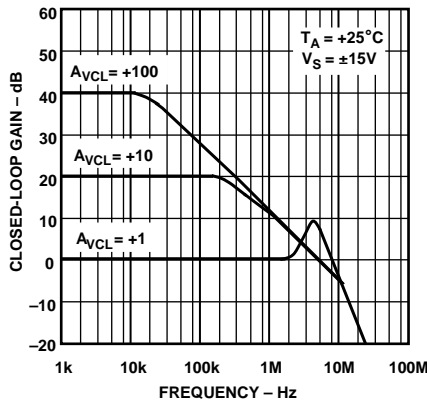


Figure 6. Closed-Loop Gain vs. Frequency

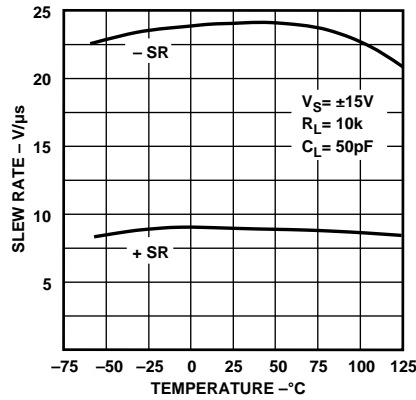


Figure 9. OP282/OP482 Slew Rate vs. Temperature

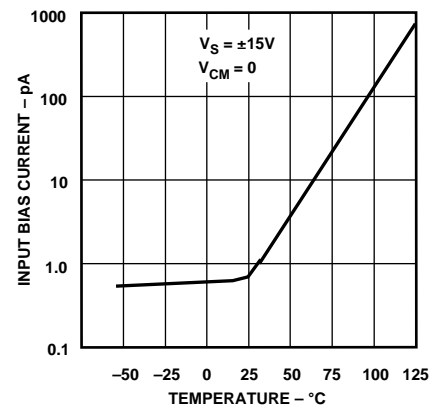


Figure 12. OP282 Input Bias Current vs. Temperature

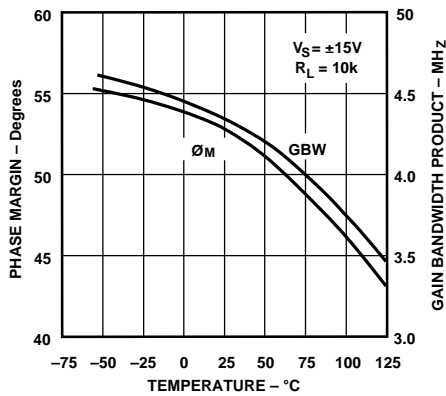


Figure 7. OP482 Phase Margin and Gain Bandwidth Product vs. Temperature

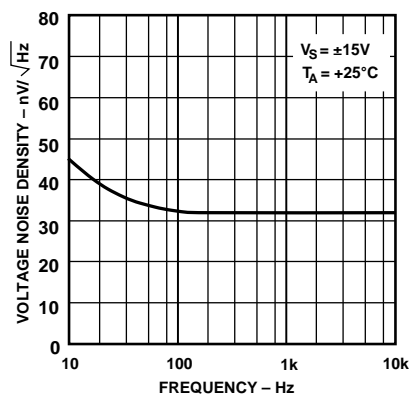


Figure 10. Voltage Noise Density vs. Frequency

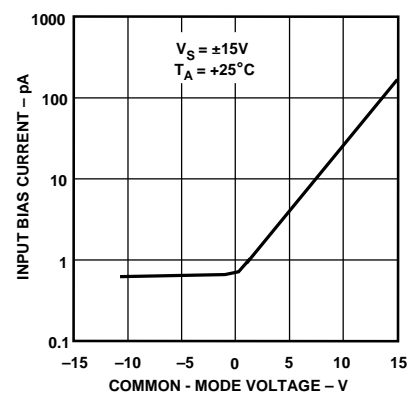


Figure 13. OP282 Input Bias Current vs. Common-Mode Voltage

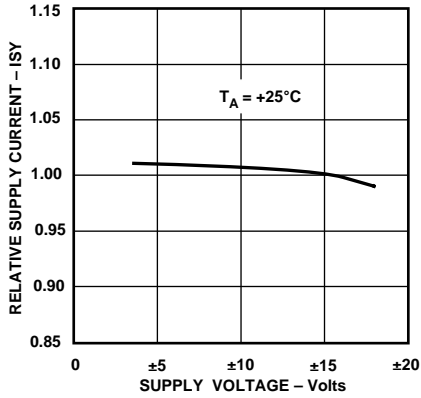


Figure 14. Relative Supply Current vs. Supply Voltage

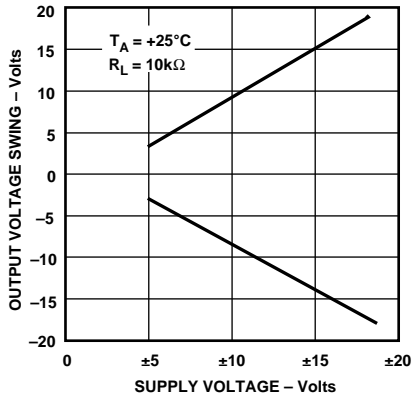


Figure 17. Output Voltage Swing vs. Supply Voltage

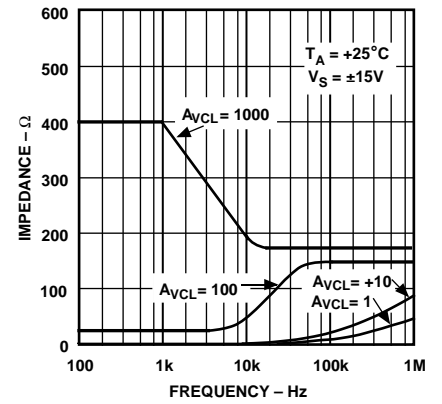


Figure 20. OP482 Closed-Loop Output Impedance vs. Frequency

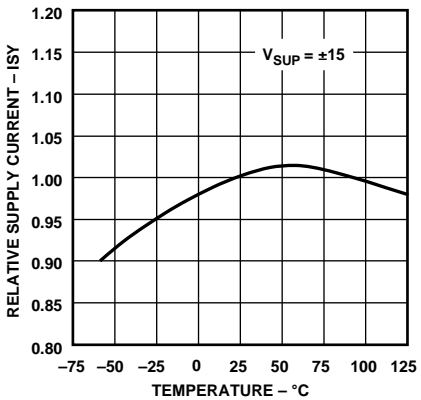


Figure 15. Relative Supply Current vs. Temperature

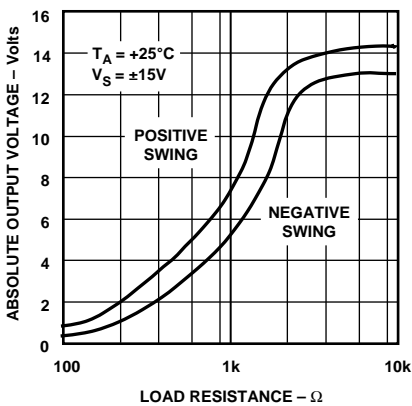


Figure 18. Maximum Output Voltage vs. Load Resistance

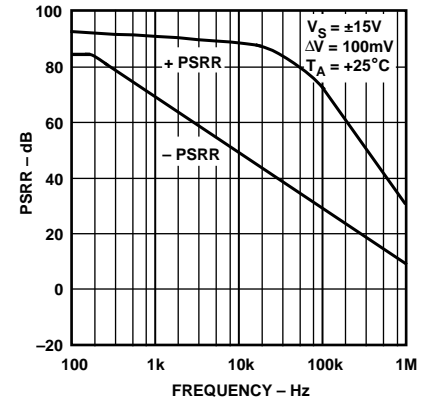


Figure 21. OP282 Power Supply Rejection Ratio (PSRR) vs. Frequency

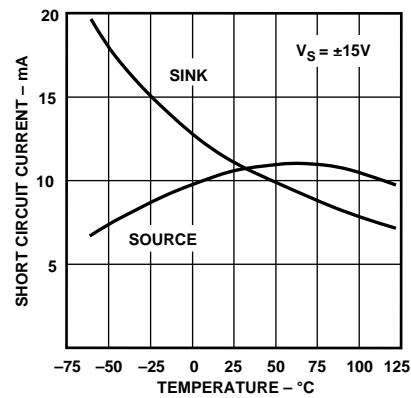


Figure 16. OP282/OP482 Short Circuit Current vs. Temperature

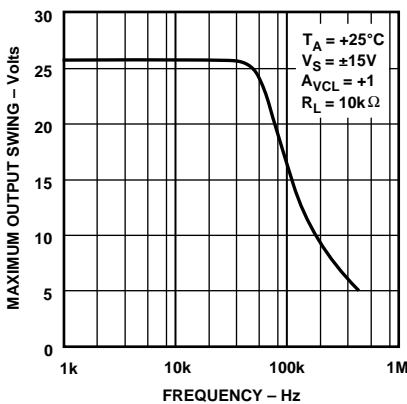


Figure 19. Maximum Output Swing vs. Frequency

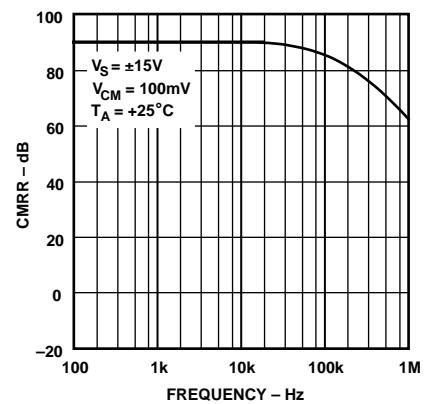


Figure 22. OP282 Common-Mode Rejection Ratio (CMRR) vs. Frequency

OP282/OP482

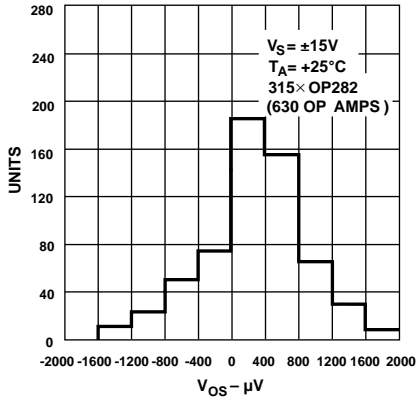


Figure 23. V_{OS} Distribution "P" Package

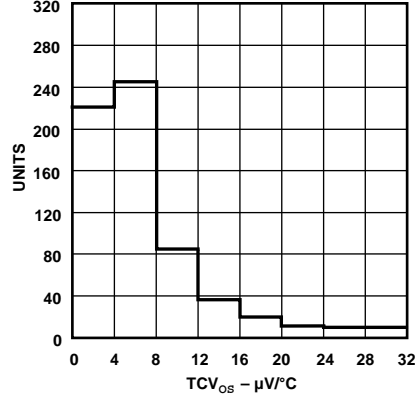


Figure 25. OP282 TCV_{OS} ($\mu V/^{\circ}C$) Distribution "P" Package

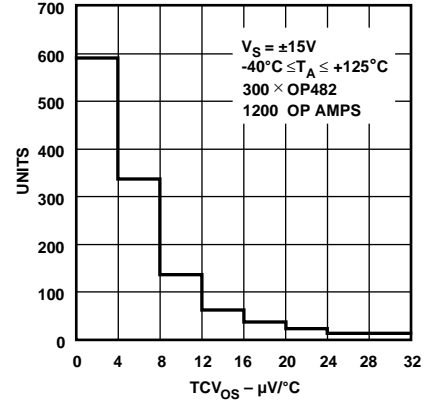


Figure 27. OP482 TCV_{OS} Distribution "Z" Package

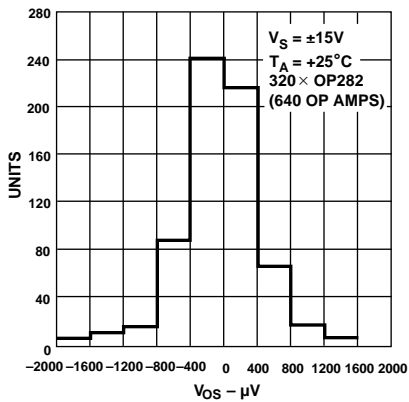


Figure 24. V_{OS} Distribution "Z" Package

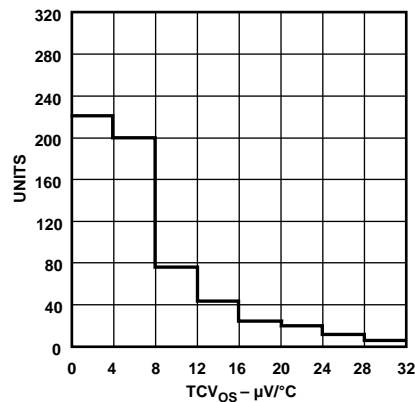


Figure 26. OP282 TCV_{OS} ($\mu V/^{\circ}C$) Distribution "Z" Package

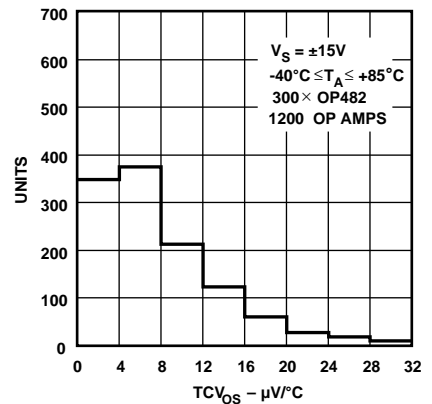


Figure 28. TCV_{OS} Distribution "P" Package

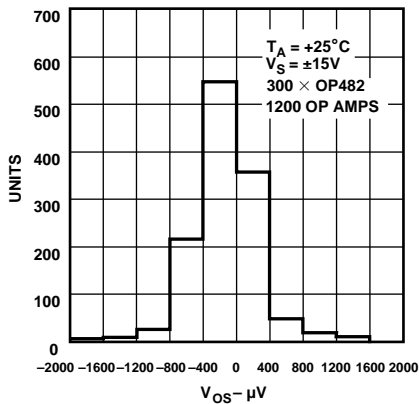


Figure 29. OP482 V_{OS} Distribution "Z" Package

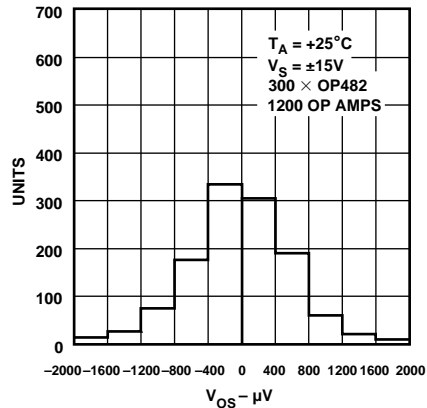
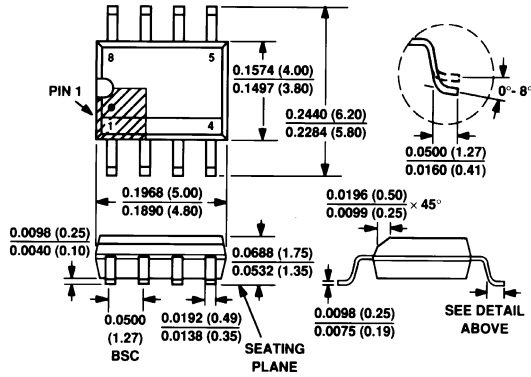


Figure 30. OP482 V_{OS} Distribution "P" Package

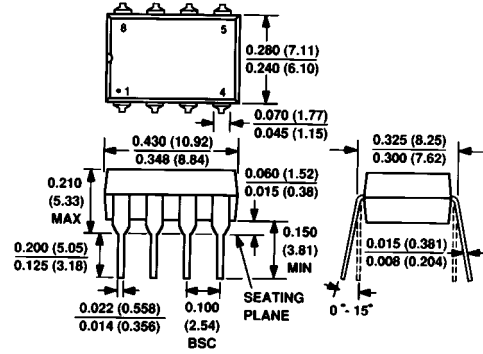
OUTLINE DIMENSIONS

Dimensions shown in inches and (mm).

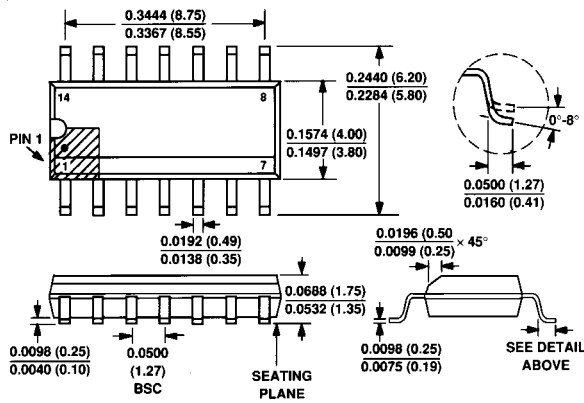
**8-Lead Narrow-Body SOIC
(S Suffix)**



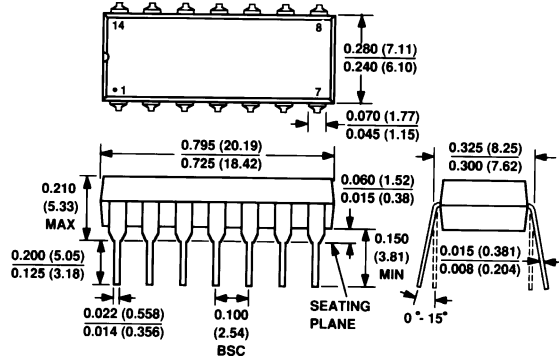
**8-Lead Epoxy DIP
(P Suffix)**



**14-Lead Narrow-Body SOIC
(S Suffix)**



**14-Lead Epoxy DIP
(P Suffix)**



**20-Position Chip Carrier
(RC Suffix)**

