

FEATURES

- Low Input Offset Voltage 150 μV Max
- Low Offset Voltage Drift, Over -55°C to $+125^\circ\text{C}$
1.2 $\text{pV}/^\circ\text{C}$ Max
- Low Supply Current (Per Amplifier) 725 μA Max
- High Open-Loop Gain 5000 V/mV Min
- Input Bias Current 3 nA Max
- Low Noise Voltage Density 11 $\text{nV}/\sqrt{\text{Hz}}$ at 1 kHz
- Stable With Large Capacitive Loads 10 nF Typ
- Pin Compatible to LM148, HA4741, RM4156, and LT1014
with Improved Performance
- Available in Die Form

GENERAL DESCRIPTION

The OP400 is the first monolithic quad operational amplifier that features OP77 type performance. Precision performance no longer has to be sacrificed to obtain the space and cost savings offered by quad amplifiers.

The OP400 features an extremely low input offset voltage of less than 150 μV with a drift of under 1.2 $\mu\text{V}/^\circ\text{C}$, guaranteed over the full military temperature range. Open-loop gain of the OP400 is over 5,000,000 into a 10 $\text{k}\Omega$ load, input bias current is under 3 nA , CMR is above 120 dB , and PSRR is below 1.8 $\mu\text{V}/\text{V}$. On-chip zener-zap trimming is used to achieve the low input offset voltage of the OP400 and eliminates the need for offset nulling. The OP400 conforms to the industry-standard quad pinout which does not have null terminals.

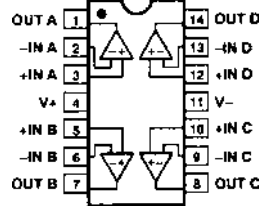
PIN CONNECTIONS

14-PIN HERMETIC DIP

(Y-Suffix)

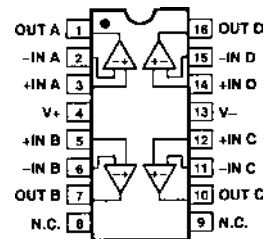
14-PIN PLASTIC DIP

(P-Suffix)



16-PIN SOL

(S-Suffix)



The OP400 features low power consumption, drawing less than 725 μA per amplifier. The total current drawn by this quad amplifier is less than that of a single OP07, yet the OP400 offers significant improvements over this industry standard op amp. Voltage noise density of the OP400 is a low 11 $\text{nV}/\sqrt{\text{Hz}}$ at 10 Hz, which is half that of most competitive devices.

The OP400 is pin-compatible with the LM148, HA4741, RM4156, and LT1014 operational amplifiers and can be used to upgrade systems using these devices. The OP400 is an ideal choice for applications requiring multiple precision operational amplifiers and where low power consumption is critical.

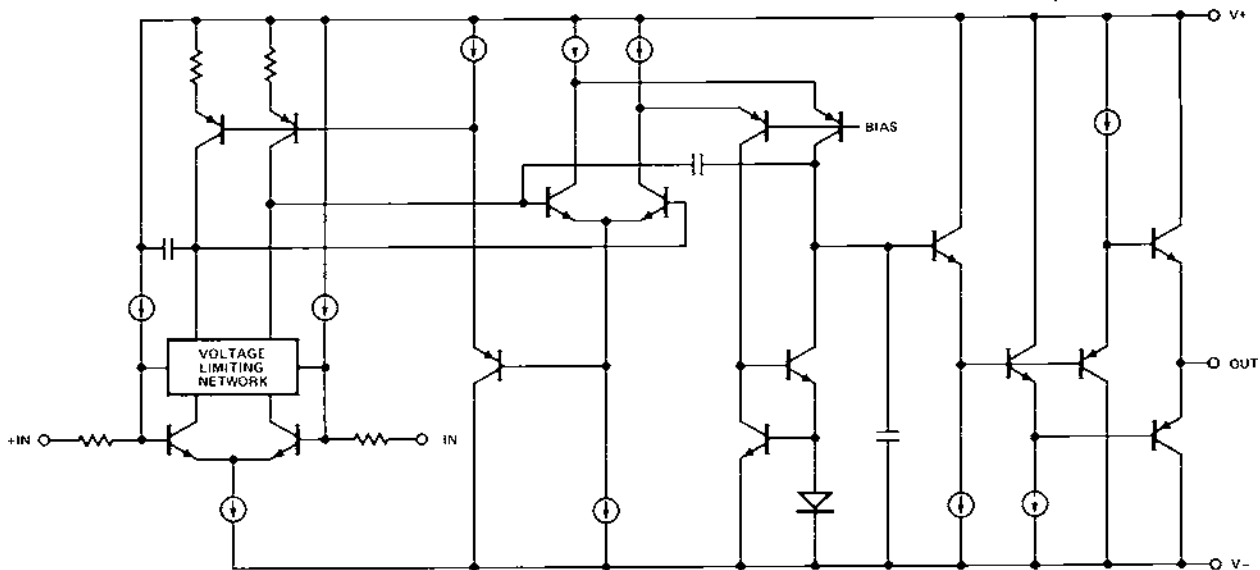


Figure 1. Simplified Schematic (One of Four Amplifiers is Shown)

REV. A

Information furnished by Analog Devices is believed to be accurate and reliable. However, no responsibility is assumed by Analog Devices for its use, nor for any infringements of patents or other rights of third parties that may result from its use. No license is granted by implication or otherwise under any patent or patent rights of Analog Devices.

OP400—SPECIFICATIONS

ELECTRICAL CHARACTERISTICS (@ $V_S = 15\text{ V}$, $T_A = 25^\circ\text{C}$, unless otherwise noted.)

Parameter	Symbol	Conditions	OP400A/E			OP400F			OP400G/H			Unit
			Min	Typ	Max	Min	Typ	Max	Min	Typ	Max	
Input Offset Voltage	V_{OS}		40	150		60	230		80	300	μV	
Long-Term Input Voltage Stability			0.1			0.1			0.1		$\mu\text{V}/\text{mo}$	
Input Offset Current	I_{OS}	$V_{CM} = 0\text{ V}$	0.1	1.0		0.1	2.0		0.1	3.5	nA	
Input Bias Current	I_B	$V_{CM} = 0\text{ V}$	0.75	3.0		0.75	6.0		0.75	7.0	nA	
Input Noise Voltage	$e_{n\text{ p-p}}$	0.1 Hz to 10 Hz	0.5			0.5			0.5		$\mu\text{V p-p}$	
Input Noise Voltage Density ¹	e_n	$f_o = 10\text{ Hz}^1$ $f_o = 1000\text{ Hz}^1$	22 11	36 18		22 11	36 18		22 11		$\text{nV}/\sqrt{\text{Hz}}$	
Input Noise Current	$i_{n\text{ p-p}}$	0.1 Hz to 10 Hz	15			15			15		pA p-p	
Input Noise Current Density	i_n	$f_o = 10\text{ Hz}$	0.6			0.6			0.6		$\text{pA}/\sqrt{\text{Hz}}$	
Input Resistance Differential Mode	R_{IN}		10			10			10		$\text{M}\Omega$	
Input Resistance Common Mode	R_{INCM}		200			200			200		$\text{G}\Omega$	
Large Signal Voltage Gain	A_{VO}	$V_O = \pm 10\text{ V}$ $R_L = 10\text{ k}\Omega$ $R_L = 2\text{ k}\Omega$	5000 2000	12000 3500		3000 1500	7000 3000		3000 1500	7000 3000	V/mV	
Input Voltage Range ³	IVR		± 12	± 13		± 12	± 13		± 12	± 13	V	
Common Mode Rejection	CMR	$V_{CM} = 12\text{ V}$	120	140		115	140		110	135	dB	
Power Supply Rejection Ratio	PSRR	$V_S = 3\text{ V}$ to 18 V		0.1 1.8			0.1 3.2			0.2 5.6	$\mu\text{V}/\text{V}$	
Output Voltage Swing	V_O	$R_L = 10\text{ k}\Omega$ $R_L = 2\text{ k}\Omega$	± 12 ± 11	± 12.6 ± 12.2		± 12 ± 11	± 12.6 ± 12.2		± 12 ± 11	± 12.6 ± 12.2	V	
Supply Current Per Amplifier	I_{SY}	No Load		600 725			600 725			600 725	μA	
Slew Rate	SR		0.1	0.15		0.1	0.15		0.1	0.15	$\text{V}/\mu\text{s}$	
Gain Bandwidth Product	GBWP	$A_V = 1$		500			500			500	kHz	
Channel Separation	CS	$V_O = 20\text{ V p-p}$ $f_o = 10\text{ Hz}^2$	123	135		123	135		123	135	dB	
Input Capacitance	C_{IN}			3.2			3.2			3.2	pF	
Capacitive Load Stability		$A_V = 1$ No Oscillations		10			10			10	nF	

NOTES

¹Sample tested

²Guaranteed but not 100% tested.

³Guaranteed by CMR test

SPECIFICATIONS (continued)

ELECTRICAL CHARACTERISTICS (@ $V_S = 15\text{ V}$, $-55^\circ\text{C} \leq T_A = 125^\circ\text{C}$ for OP400A, unless otherwise noted.)

Parameter	Symbol	Conditions	Min	Typ	Max	Unit
Input Offset Voltage	V_{OS}			70	270	μV
Average Input Offset Voltage Drift	TCV_{OS}			0.3	12	$\mu\text{V}/^\circ\text{C}$
Input Offset Current	I_{OS}	$V_{CM} = 0\text{ V}$		01	2.5	nA
Input Bias Current	I_B	$V_{CM} = 0\text{ V}$		1.3	5.0	nA
Large Signal Voltage Gain	A_{VO}	$V_O = \pm 10\text{ V}$ $R_L = 10\text{ k}\Omega$ $R_L = 2\text{ k}\Omega$	3000 1000	9000 2300		V/mV
Input Voltage Range*	IVR		± 12	± 12.5		V
Common Mode Rejection	CMR	$V_{CM} = \pm 12\text{ V}$	115	130		dB
Power Supply Rejection Ratio	PSRR	$V_O = 3\text{ V to } 18\text{ V}$		0.2	3.2	$\mu\text{V}/\text{V}$
Output Voltage Swing	V_O	$R_L = 10\text{ k}\Omega$ $R_L = 2\text{ k}\Omega$	± 12 ± 11	± 12.4 ± 12		V
Supply Current Per Amplifier	I_{SY}	No Load		600	775	μA
Capacitive Load Stability		$A_V = 1$ No Oscillations		8		nF

NOTE

*Guaranteed by CMR test

ELECTRICAL CHARACTERISTICS (@ $V_S = \pm 15\text{ V}$, $-25^\circ\text{C} \leq T_A \leq +85^\circ\text{C}$ for OP400E/F, $0^\circ\text{C} \leq T_A \leq 70^\circ\text{C}$ for OP400G, $-40^\circ\text{C} \leq T_A \leq +85^\circ\text{C}$ for OP400H, unless otherwise noted.)

Parameter	Symbol	Conditions	OP400A/E			OP400F			OP400G/H			Unit
			Min	Typ	Max	Min	Typ	Max	Min	Typ	Max	
Input Offset Voltage	V_{OS}		60		220	80		350	110		400	μV
Average Input Offset Voltage Drift	TCV_{OS}		0.3		1.2	0.3		2.0	0.6		2.5	$\mu\text{V}/^\circ\text{C}$
Input Offset Current	I_{OS}	$V_{CM} = 0\text{ V}$ E, F, G Grades H Grade	0.1		2.5	0.1		3.5	0.2		6.0	nA
Input Bias Current	I_B	$V_{CM} = 0\text{ V}$ E, F, G Grades H Grade	0.1		2.5	0.1		3.5	1.0		12.0	nA
Large-Signal Voltage Gain	A_{VO}	$V_{CM} = 0\text{ V}$ $R_L = 10\text{ k}\Omega$ $R_L = 2\text{ k}\Omega$	3000 1500		10000 2700	2000 1000		5000 2000	2000 1000		5000 2000	V/mv
Input Voltage Range	IVR	*	± 12		± 12.5	± 12		± 12.5	± 12		± 12.5	V
Common-Mode Rejection	CMR	$V_{CM} = \pm 12\text{ V}$	115		135	110		135	105		130	dB
Power Supply Rejection Ratio	PSRR	$V_S = \pm 3\text{ V}$ to $\pm 18\text{ V}$	0.15		3.2	0.15		5.6	0.3		10.0	$\mu\text{V}/\text{V}$
Output Voltage Swing	V_O	$R_L = 10\text{ k}\Omega$ $R_L = 2\text{ k}\Omega$	± 12 ± 11		± 12.4 ± 12	± 12 ± 11		± 12.4 ± 12	± 12 ± 11		± 12.6 ± 12.2	V
Supply Current Per Amplifier	I_{SY}	No Load	600		775	600		775	600		775	μA
Capacitive Load Stability		No Oscillations	10			10			10			nF

NOTE

*Guaranteed by CMR test.

OP400

ORDERING INFORMATION

$T_A = 25^\circ\text{C}$ $V_{OS} \text{ Max}$ (mV)	Package		Operating Temperature Range
	CerDIP 14-Lead	Plastic	
150	OP400AY		MIL
150	OP400EY		IND
230	OP400FY		IND
300		OP400GP	COM
300		OP400GS	COM
300		OP400HP	XIND
300		OP400HS	XIND

NOTES

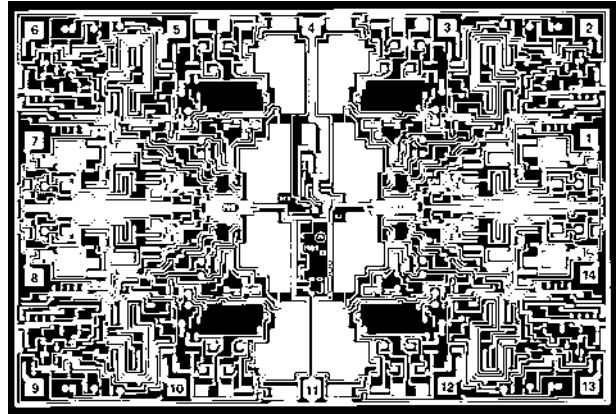
¹For devices processed in total compliance to MIL-STD-883, add/883 after part number. Consult factory for 883 data sheet.

²Burn-in is available on commercial and industrial temperature range parts in CerDIP, plastic DIP, and TO-can packages.

For Military processed devices, please refer to the standard microcircuit drawing (SMD) available at www.dscc.dla.mil/programs/milspec/default.asp

SMD Part Number	ADI Equivalent
5962-8777101M3A	OP400ATCMDA
5962-8777101MCA	OP400AYMDA

DICE CHARACTERISTICS



DIE SIZE 0.181 × 0.123 inch, 22,263 sq. mils
(4.60 × 3.12 mm, 14.35 sq. mm)

- | | |
|----------|-----------|
| 1. OUT A | 8. OUT C |
| 2. -IN A | 9. -IN C |
| 3. +IN A | 10. +IN C |
| 4. V+ | 11. V- |
| 5. +IN B | 12. +IN D |
| 6. -IN B | 13. -IN D |
| 7. OUT B | 14. OUT D |

WAFER TEST LIMITS (@ $V_S = \pm 15 \text{ V}$, $T_A = 25^\circ\text{C}$, unless otherwise noted.)

Parameter	Symbol	Conditions	OP400GBC Limit	Unit
Input Offset Voltage	V_{OS}		230	μA Max
Input Offset Current	V_{OS}	$V_{CM} = 0 \text{ V}$	2	nA Max
Input Bias Current	I_B	$V_{CM} = 0 \text{ V}$	6	nA Max
Large Signal Voltage Gain	A_{VO}	$V_O = \pm 10 \text{ V}$ $R_L = 10 \text{ k}\Omega$ Rig 2 k Ω	3000 1500	V/mV Min
Input Voltage Range*	IVR	*	± 12	V Min
Common Mode Rejection	CMR	$V_{CM} = \pm 12 \text{ V}$	115	dB Min
Power Supply Rejection Ratio	PSRR	$V_S = \pm 3 \text{ V}$ to $\pm 18 \text{ V}$	3.2	$\mu\text{V/V}$ Max
Output Voltage Swing	V_O	$R_L = 10 \text{ k}\Omega$ $R_L = 2 \text{ k}\Omega$	± 12	V Min
Supply Current Per Amplifier	I_{SY}	No Load	725	μA Max

NOTE

*Guaranteed by CMR test.

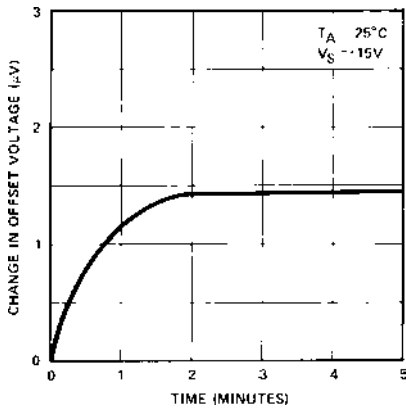
Electrical tests are performed at wafer probe to the limits shown. Due to variations in assembly methods and normal yield loss, yield after packaging is not guaranteed for standard product dice. Consult factory to negotiate specifications based on dice lot qualification through sample lot assembly and testing.

CAUTION

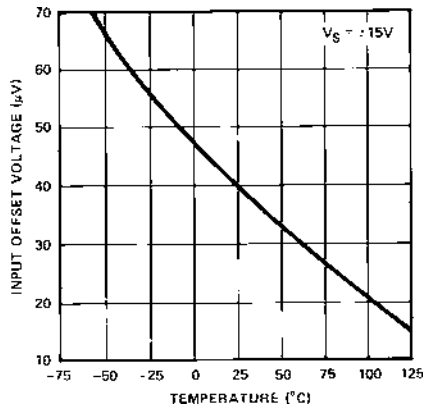
ESD (electrostatic discharge) sensitive device. Electrostatic charges as high as 4000 V readily accumulate on the human body and test equipment and can discharge without detection. Although the OP400 features proprietary ESD protection circuitry, permanent damage may occur on devices subjected to high-energy electrostatic discharges. Therefore, proper ESD precautions are recommended to avoid performance degradation or loss of functionality.



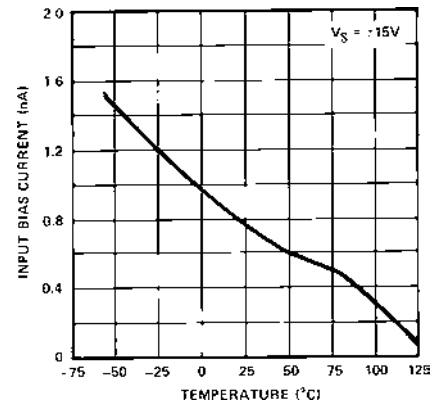
Typical Performance Characteristics—OP400



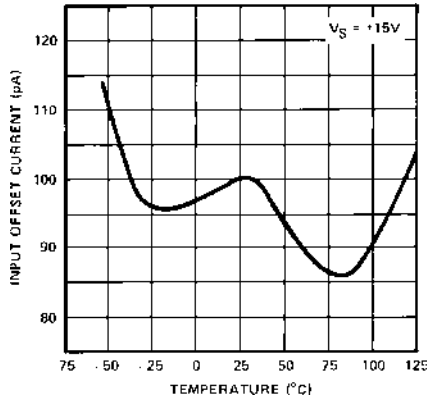
TPC 1. Warm-Up Drift



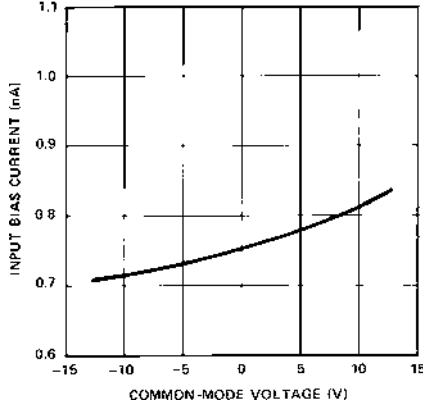
TPC 2. Input Offset Voltage vs. Temperature



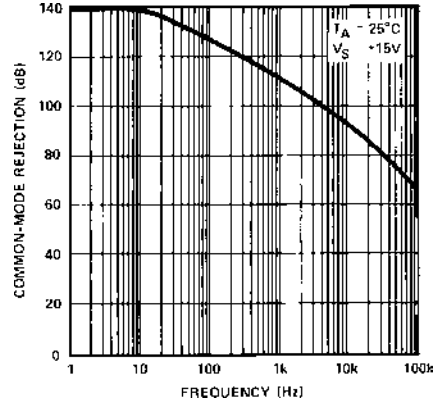
TPC 3. Input Bias Current vs. Temperature



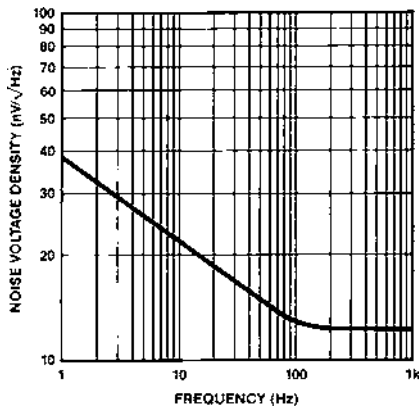
TPC 4. Input Offset Current vs. Temperature



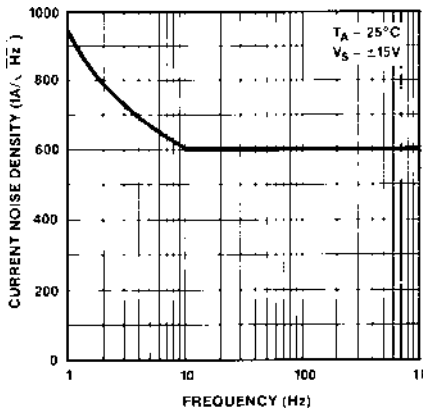
TPC 5. Input Bias Current vs. Common-Mode Voltage



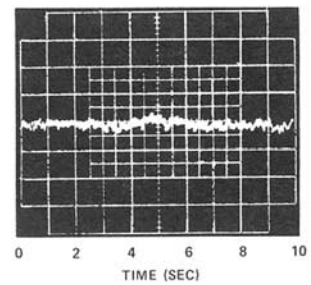
TPC 6. Common-Mode Rejection vs. Frequency



TPC 7. Noise Voltage Density vs. Frequency

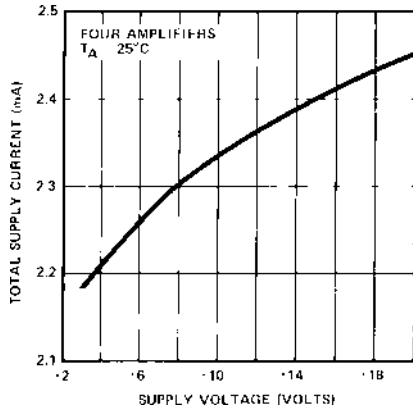


TPC 8. Current Noise Density vs. Frequency

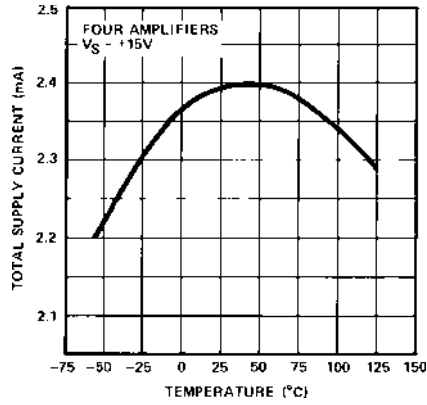


TPC 9. 0.1 Hz to 10 Hz Noise

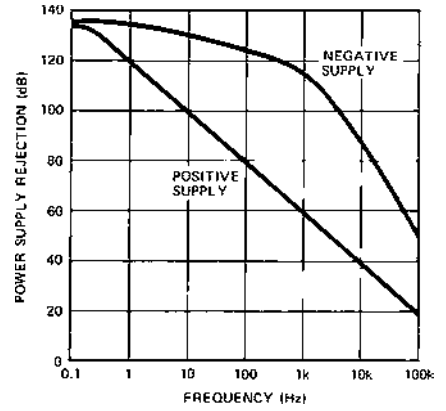
OP400



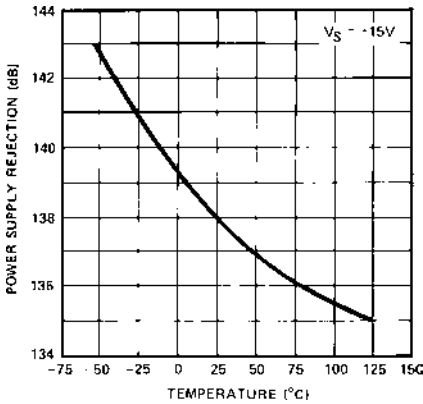
TPC 10. Total Supply Current vs. Supply Voltage



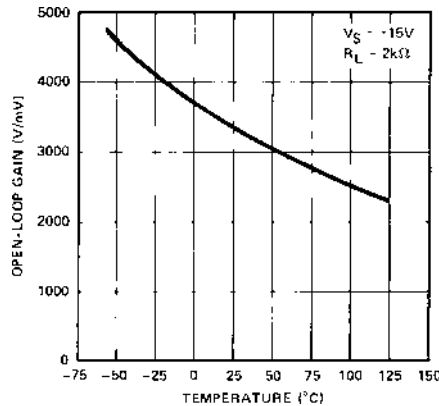
TPC 11. Total Supply Current vs. Temperature



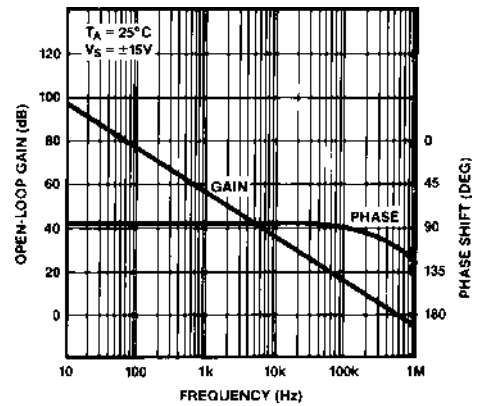
TPC 12. Power Supply Rejection vs. Frequency



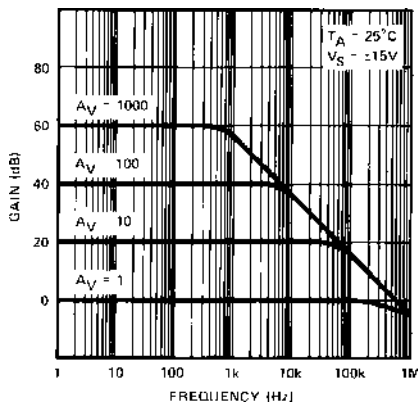
TPC 13. Power Supply Rejection vs. Temperature



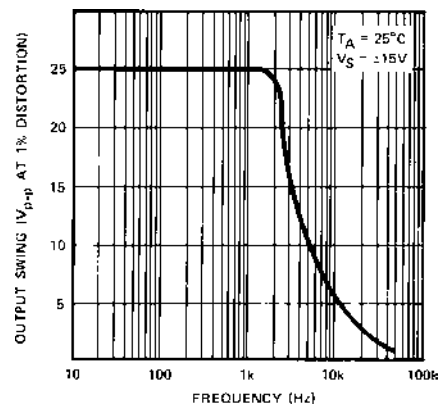
TPC 14. Open-Loop Gain vs. Temperature



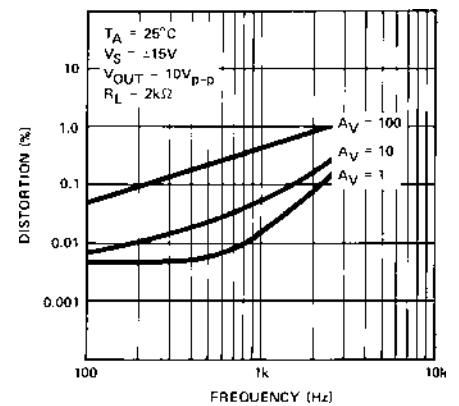
TPC 15. Open-Loop Gain and Phase Shift vs. Frequency



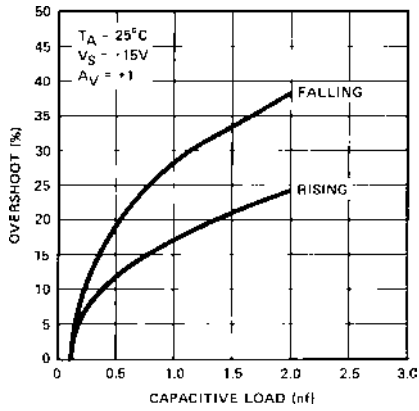
TPC 16. Closed-Loop Gain vs. Frequency



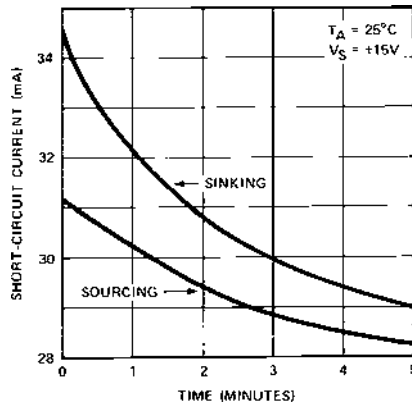
TPC 17. Maximum Output Swing Frequency



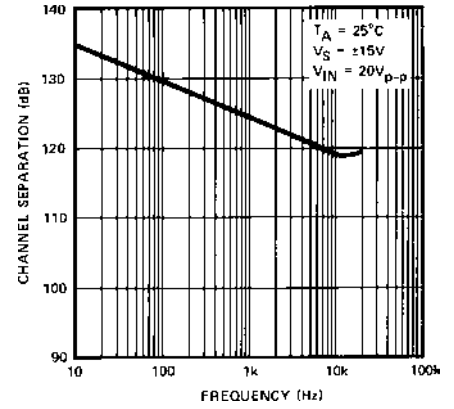
TPC 18. Total Harmonic Distortion vs. Frequency



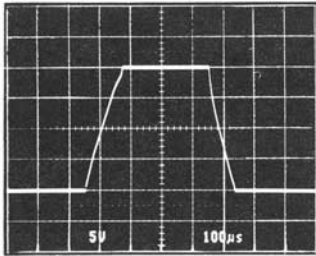
TPC 19. Overshoot vs. Capacitive Load



TPC 20. Short Circuit vs. Time

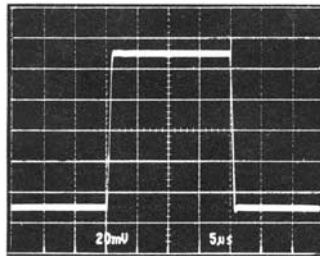


TPC 21. Channel Separation vs. Frequency



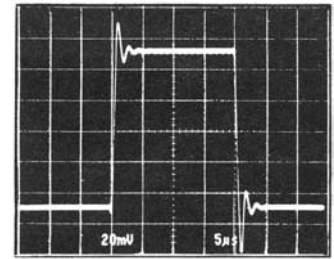
TA = 25°C
VS = ±15V
AV = +1

TPC 22. Large-Signal Transient Response



TA = 25°C
VS = ±15V
AV = +1

TPC 23. Small-Signal Transient Response



TA = 25°C
VS = ±15V
AV = +1

TPC 24. Small-Signal Transient Response $C_{LOAD} = 1nF$

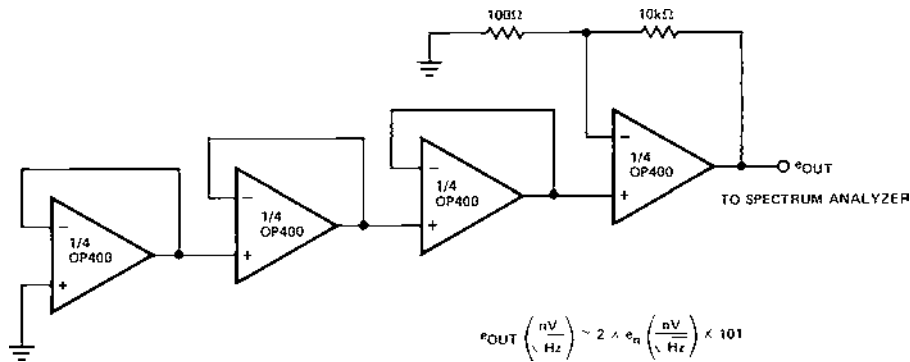


Figure 2. Noise Test Schematic

OP400

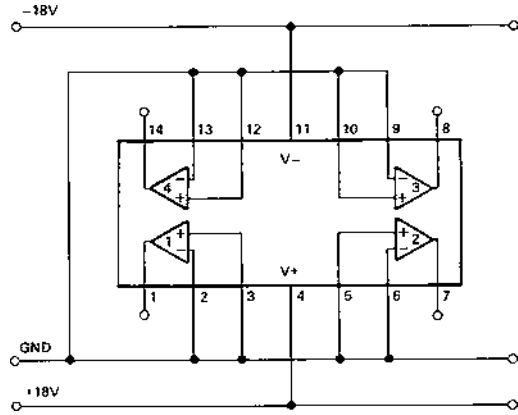


Figure 3. Burn-In Circuit

APPLICATIONS INFORMATION

The OP400 is inherently stable at all gains and is capable of driving large capacitive loads without oscillating. Nonetheless, good supply decoupling is highly recommended. Proper supply decoupling reduces problems caused by supply line noise and improves the capacitive load driving capability of the OP400.

Total supply current can be reduced by connecting the inputs of an unused amplifier to $-V$. This turns the amplifier off, lowering the total supply current.

APPLICATIONS

Dual Low-Power Instrumentation Amplifier

A dual instrumentation amplifier that consumes less than 33 mW of power per channel is shown in Figure 1. The linearity of the instrumentation amplifier exceeds 16 bits in gains of 5 to 200 and is better than 14 bits in gains from 200 to 1000. CMRR is above 115 dB ($G = 1000$). Offset voltage drift is typically $0.4 \mu\text{V}/^\circ\text{C}$ over the military temperature range which is comparable to the best monolithic instrumentation amplifiers. The bandwidth of the low-power instrumentation amplifier is a function of gain and is shown in Table I.

Table I. Gain Bandwidth

Gain	Bandwidth
5	150 kHz
10	67 kHz
100	7.5 kHz
1000	500 Hz

The output signal is specified with respect to the reference input, which is normally connected to analog ground. The reference input can be used to offset the output from -10 V to $+10 \text{ V}$ if required.

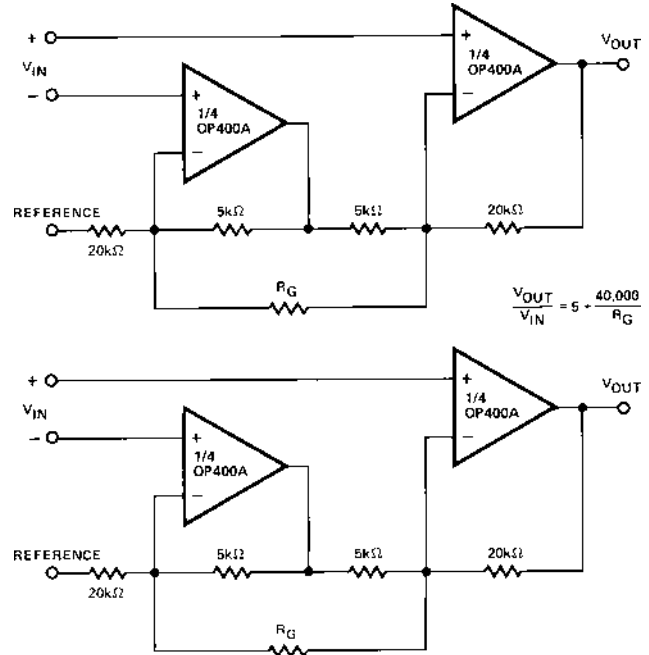


Figure 4. Dual Low-Power Instrumentation Amplifier

$$\frac{V_{OUT}}{V_{IN}} = 5 + \frac{40,000}{R_G}$$

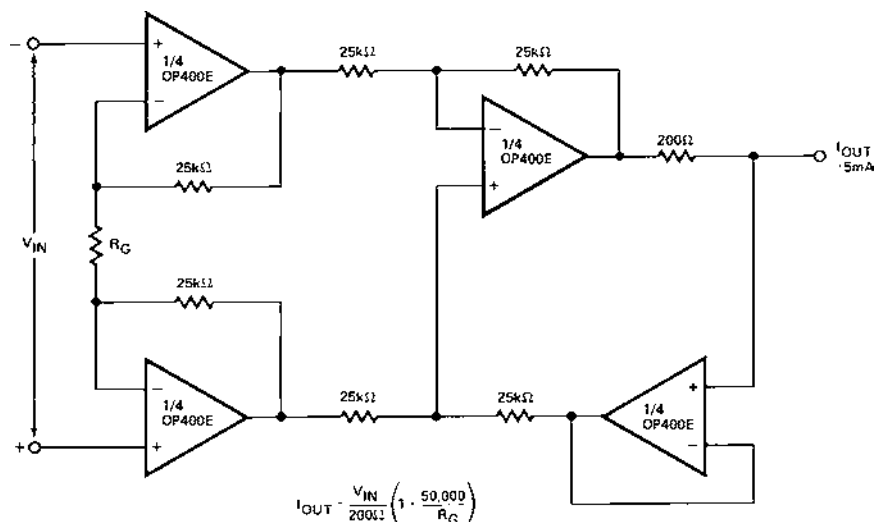


Figure 5. Bipolar Current Transmitter

BIPOLAR CURRENT TRANSMITTER

In the circuit of Figure 5, which is an extension of the standard three op amp instrumentation amplifier, the output current is proportional to the differential input voltage. Maximum output current is ± 5 mA with voltage compliance equal to ± 10 V when using ± 15 V supplies. Output impedance of the current transmitter exceeds 3 M Ω and linearity is better than 16 bits with gain set for a full scale input of ± 100 μ V.

DIFFERENTIAL OUTPUT INSTRUMENTATION AMPLIFIER

The output voltage swing of a single-ended instrumentation amplifier is limited by the supplies, normally at ± 15 V, to a maximum of 24 V p-p. The differential output instrumentation amplifier of Figure 6 can provide an output voltage swing of 48 V p-p when operated with ± 15 V supplies. The extended output swing is due to the opposite polarity of the outputs. Both outputs will swing 24 V p-p but with opposite polarity, for a total output voltage swing of 48 V p-p. The reference input can be used to set a common-mode output voltage over the range ± 10 V. PSRR of the amplifier is less than 1 μ V/V with CMRR ($G = 1000$) better than 115 dB. Offset voltage drift is typically 0.4 μ V/ $^{\circ}$ C over the military temperature range.

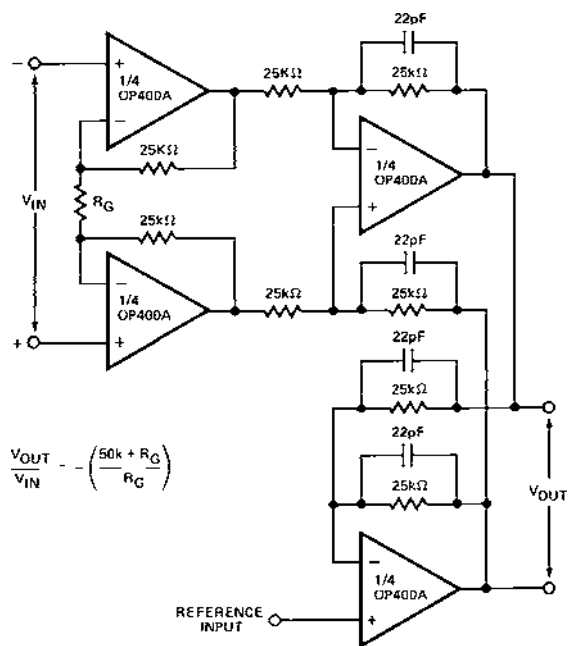
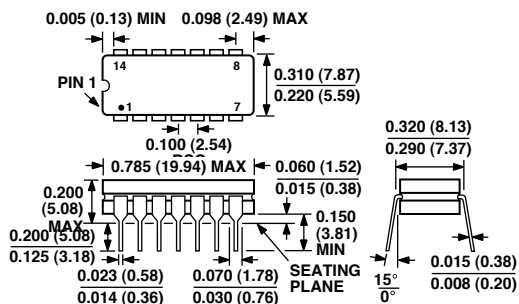


Figure 6. Differential Output Instrumentation Amplifier

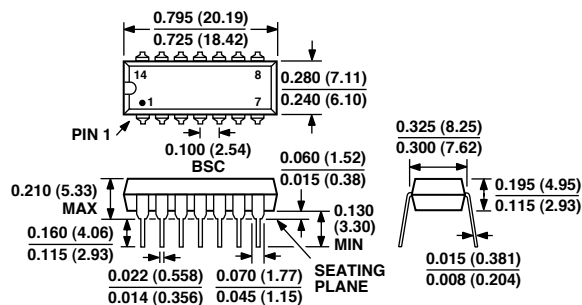
OUTLINE DIMENSIONS

Dimensions shown in inches and (mm).

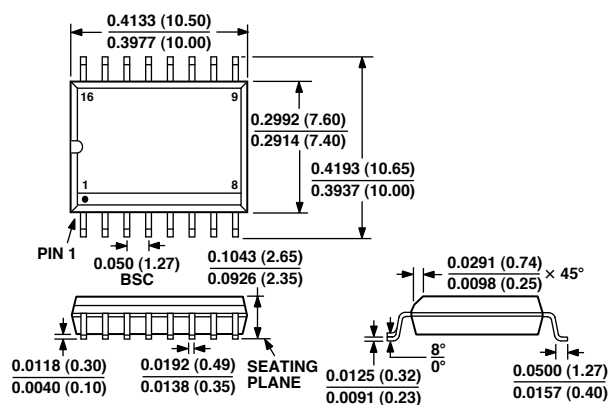
14-Lead Hermetic DIP Package
(Y-Suffix)



14-Lead Plastic DIP Package
(P-Suffix)



16-Lead SOL Package
(S-Suffix)



Revision History

Location	Page
Data Sheet changed from REV. 0 to REV. A.	
Edits to FEATURES	1
Edits to ORDERING INFORMATION	1
Edits to PIN CONNECTIONS	1
Edits to GENERAL DESCRIPTIONS	1, 2
Edits to PACKAGE TYPE	2

