

### FEATURES

- 5 Volt Output .....  $\pm 0.3\%$  Max
- Temperature Voltage Output .....  $2.1\text{mV}/^\circ\text{C}$
- Adjustment Range .....  $\pm 3\%$  Min
- Excellent Temperature Stability .....  $8.5\text{ppm}/^\circ\text{C}$  Max
- Low Noise .....  $15\mu\text{V}_{\text{p-p}}$  Max
- Low Supply Current .....  $1.4\text{mA}$  Max
- Wide Input Voltage Range .....  $7\text{V}$  to  $40\text{V}$
- High Load-Driving Capability .....  $20\text{mA}$
- No External Components
- Short-Circuit Proof
- MIL-STD-883 Screening Available
- Available in Die Form

### ORDERING INFORMATION <sup>†</sup>

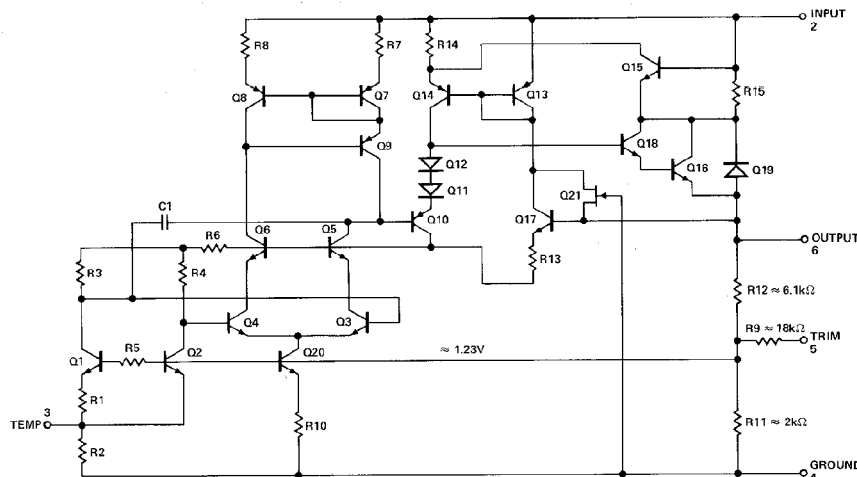
$T_A = 25^\circ\text{C}$ $V_{OS}$ MAX (mV)	PACKAGE				OPERATING TEMPERATURE RANGE
	TO-99	CERDIP 8-PIN	PLASTIC 8-PIN	LCC 20-CONTACT	
$\pm 15$	REF02AJ*	REF02AZ*	—	—	MIL
$\pm 15$	REF02EJ	REF02EZ	—	—	COM
$\pm 25$	REF02J*	REF02Z*	—	REF02RC/883	MIL
$\pm 25$	REF02HJ	REF02HZ	REF02HP	—	COM
$\pm 50$	REF02CJ	REF02CZ	—	—	COM
$\pm 50$	—	—	REF02CP	—	XIND
$\pm 50$	—	—	REF02CS††	—	XIND
$\pm 100$	REF02DJ	REF02DZ	REF02DP	—	COM

\* For devices processed in total compliance to MIL-STD-883, add /883 after part number. Consult factory for 883 data sheet.

† Burn-in is available on commercial and industrial temperature range parts in CerDIP, plastic DIP, and TO-can packages.

†† For availability and burn-in information on SO and PLCC packages, contact your local sales office.

### SIMPLIFIED SCHEMATIC



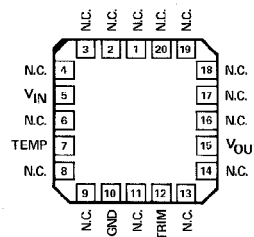
REV. B.

Information furnished by Analog Devices is believed to be accurate and reliable. However, no responsibility is assumed by Analog Devices for its use, nor for any infringements of patents or other rights of third parties which may result from its use. No license is granted by implication or otherwise under any patent or patent rights of Analog Devices.

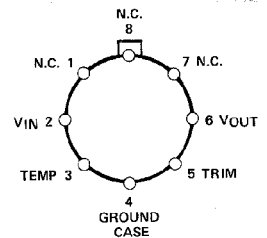
### GENERAL DESCRIPTION

The REF-02 precision voltage reference provides a stable +5V output which can be adjusted over a  $\pm 6\%$  range with minimal effect on temperature stability. Single-supply operation over an input voltage range of  $7\text{V}$  to  $40\text{V}$ , low current drain of  $1\text{mA}$ , and excellent temperature stability are achieved with an improved bandgap design. Low cost, low noise, and low power make the REF-02 an excellent choice whenever a stable voltage reference is required. Applications include D/A and A/D converters, portable instrumentation, and digital voltmeters. The versatility of the REF-02 is enhanced by its use as a monolithic temperature transducer. For +10V references, see the REF-01 and REF-10 data sheets.

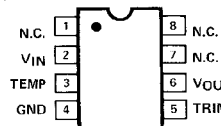
### PIN CONNECTIONS



REF-02RC/883  
LCC (RC-Suffix)



TO-99 (J-Suffix)



8-PIN HERMETIC DIP  
(Z-Suffix)  
EPOXY MINI-DIP  
(P-Suffix)  
8-PIN SO  
(S-Suffix)

# REF-02

## ABSOLUTE MAXIMUM RATINGS (Note 1)

Input Voltage	
REF-02A, E, H, RC, All DICE	40V
REF-02C, D	30V
Output Short-Circuit Duration (to Ground or $V_{IN}$ )	Indefinite
Storage Temperature Range	
J, RC, and Z Packages	-65°C to +150°C
P Packages	-65°C to +125°C
Operating Temperature Range	
REF-02A, REF-02, REF-02RC	-55°C to +125°C
REF-02E, REF-02H	0°C to +70°C
REF-02CJ, CZ, REF-02D	0°C to +70°C
REF-02CP, CS	-40°C to +85°C
Lead Temperature (Soldering, 60 sec)	300°C

Junction Temperature ( $T_j$ ) ..... -65°C to +150°C

PACKAGE TYPE	$\theta_{JA}$ (NOTE 2)	$\theta_{JC}$	UNITS
TO-99 (J)	170	24	°C/W
8-Pin Hermetic DIP (Z)	162	26	°C/W
8-Pin Plastic DIP (P)	110	50	°C/W
20-Contact LCC (RC, TC)	120	40	°C/W
8-Pin SO (S)	160	44	°C/W
20-Contact PLCC (PC)	80	39	°C/W

### NOTES:

- Absolute maximum ratings apply to both DICE and packaged parts, unless otherwise noted.
- $\theta_{JA}$  is specified for worst case mounting conditions, i.e.,  $\theta_{JA}$  is specified for device in socket for TO, CerDIP, P-DIP, and LCC packages;  $\theta_{JA}$  is specified for device soldered to printed circuit board for SO and PLCC packages.

## ELECTRICAL CHARACTERISTICS at $V_{IN} = +15V$ , $T_A = +25^\circ C$ , unless otherwise noted.

PARAMETER	SYMBOL	CONDITIONS	REF-02A/E			REF-02/H			UNITS
			MIN	TYP	MAX	MIN	TYP	MAX	
Output Voltage	$V_O$	$I_L = 0$	4.985	5.000	5.015	4.975	5.000	5.025	V
Output Adjustment Range	$\Delta V_{trim}$	$R_p = 10k\Omega$	±3	±6	—	±3	±6	—	%
Output Voltage Noise	$e_{np-p}$	0.1Hz to 10Hz (Note 7)	—	10	15	—	10	15	$\mu V_{p-p}$
Line Regulation (Note 2)		$V_{IN} = 8V$ to 33V	—	0.006	0.010	—	0.006	0.010	%/V
Load Regulation (Note 2)		$I_L = 0$ to 10mA	—	0.005	0.010	—	0.006	0.010	%/mA
Turn-on Settling Time	$t_{ON}$	To ±0.1% of final value	—	5	—	—	5	—	$\mu s$
Quiescent Supply Current	$I_{SY}$	No Load	—	1.0	1.4	—	1.0	1.4	mA
Load Current	$I_L$		10	21	—	10	21	—	mA
Sink Current	$I_S$	(Note 8)	-0.3	-0.5	—	-0.3	-0.5	—	mA
Short-Circuit Current	$I_{SC}$	$V_O = 0$	—	30	—	—	30	—	mA
Temperature Voltage Output	$V_T$	(Note 3)	—	630	—	—	630	—	mV

## ELECTRICAL CHARACTERISTICS at $V_{IN} = +15V$ , $-55^\circ C \leq T_A \leq +125^\circ C$ for REF-02A and REF-02, $0^\circ C \leq T_A \leq +70^\circ C$ for REF-02E and REF-02H, $I_L = 0mA$ , unless otherwise noted.

PARAMETER	SYMBOL	CONDITIONS	REF-02A/E			REF-02/H			UNITS
			MIN	TYP	MAX	MIN	TYP	MAX	
Output Voltage Change with Temperature (Notes 4, 5)	$\Delta V_{OT}$	$0^\circ C \leq T_A \leq +70^\circ C$ $-55^\circ C \leq T_A \leq +125^\circ C$	—	0.02	0.06	—	0.07	0.17	%
Output Voltage Temperature Coefficient	$TCV_O$	(Note 6)	—	3	8.5	—	10	25	ppm/°C
Change in $V_O$ Temperature Coefficient with Output Adjustment		$R_p = 10k\Omega$	—	0.7	—	—	0.7	—	ppm/%
Line Regulation ( $V_{IN} = 8$ to 33V) (Note 2)		$0^\circ C \leq T_A \leq +70^\circ C$ $-55^\circ C \leq T_A \leq +125^\circ C$	—	0.007	0.012	—	0.007	0.012	%/V
Load Regulation ( $I_L = 0$ to 8mA) (Note 2)		$0^\circ C \leq T_A \leq +70^\circ C$ $-55^\circ C \leq T_A \leq +125^\circ C$	—	0.006	0.010	—	0.007	0.012	%/mA
Temperature Voltage Output Temperature Coefficient	$TCV_T$	(Note 3)	—	2.1	—	—	2.1	—	mV/°C

### NOTES:

- Guaranteed by design.
- Line and Load Regulation specifications include the effect of self heating.
- Limit current in or out of pin 3 to 50nA and capacitance on pin 3 to 30pF.
- $\Delta V_{OT}$  is defined as the absolute difference between the maximum output voltage and the minimum output voltage over the specified temperature range expressed as a percentage of 5V.

$$\Delta V_{OT} = \left| \frac{V_{MAX} - V_{MIN}}{5V} \right| \times 100$$

- $\Delta V_{OT}$  specification applies trimmed to +5.000V or untrimmed.
- $TCV_O$  is defined as  $\Delta V_{OT}$  divided by the temperature range, i.e.,

$$TCV_O = \frac{\Delta V_{OT}}{70^\circ C}$$

- Sample Tested.
- During sink current test the driver meets the output voltage specified.

**ELECTRICAL CHARACTERISTICS** at  $V_{IN} = +15V$ ,  $T_A = 25^\circ C$ , unless otherwise noted.

PARAMETER	SYMBOL	CONDITIONS	REF-02C			REF-02D			UNITS
			MIN	TYP	MAX	MIN	TYP	MAX	
Output Voltage	$V_O$	$I_L = 0mA$	4.950	5.000	5.050	4.900	5.000	5.100	V
Output Adjustment Range	$\Delta V_{trim}$	$R_p = 10k\Omega$	$\pm 2.7$	$\pm 6.0$	—	$\pm 2.0$	$\pm 6.0$	—	%
Output Voltage Noise	$e_{np-p}$	0.1Hz to 10Hz (Note 7)	—	12	18	—	12	—	$\mu V_{p-p}$
Line Regulation (Note 2)		$V_{IN} = 8V$ to 30V	—	0.009	0.015	—	0.010	0.04	%/V
Load Regulation (Note 2)		$I_L = 0$ to 8mA	—	0.006	0.015	—	—	—	%/mA
		$I_L = 0$ to 4mA	—	—	—	—	0.015	0.04	
Turn-on Settling Time	$t_{ON}$	To $\pm 0.1\%$ of final value	—	5	—	—	5	—	$\mu s$
Quiescent Supply Current	$I_{SQ}$	No Load	—	1.0	1.6	—	1.0	2.0	mA
Load Current	$I_L$		8	21	—	8	21	—	mA
Sink Current	$I_S$	(Note 8)	-0.3	-0.5	—	-0.3	-0.5	—	mA
Short-Circuit Current	$I_{SC}$	$V_O = 0$	—	30	—	—	30	—	mA
Temperature Voltage Output	$V_T$	(Note 3)	—	630	—	—	630	—	mV

**ELECTRICAL CHARACTERISTICS** at  $V_{IN} = +15V$ ;  $I_L = 0mA$ ,  $0^\circ C \leq T_A \leq +70^\circ C$  for REF-02CJ, CZ, DJ, DZ, DP;  $-40^\circ C \leq T_A \leq +85^\circ C$  for REF-02CP, CS; unless otherwise noted.

PARAMETER	SYMBOL	CONDITIONS	REF-02C			REF-02D			UNITS
			MIN	TYP	MAX	MIN	TYP	MAX	
Output Voltage Change with Temperature	$\Delta V_{OT}$	(Notes 4 and 5)	—	0.14	0.45	—	0.49	1.7	%
Output Voltage Temperature Coefficient	$TCV_O$	(Note 6)	—	20	65	—	70	250	ppm/ $^\circ C$
Change in $V_O$ Temperature Coefficient With Output Adjustment		$R_p = 10k\Omega$	—	0.7	—	—	0.7	—	ppm/%
Line Regulation (Note 2)		$V_{IN} = 8V$ to 30V	—	0.011	0.018	—	0.012	0.05	%/V
Load Regulation (Note 2)		$I_L = 0$ to 5mA	—	0.008	0.018	—	0.016	0.05	%/mA
Temperature Voltage Output Temperature Coefficient	$TCV_T$	(Note 3)	—	2.1	—	—	2.1	—	mV/ $^\circ C$

**NOTES:**

- Guaranteed by design.
- Line and Load Regulation specifications include the effect of self heating.
- Limit current in or out of pin 3 to 50nA and capacitance on pin 3 to 30pF.
- $\Delta V_{OT}$  is defined as the absolute difference between the maximum output voltage and the minimum output voltage over the specified temperature range expressed as a percentage of 5V.

$$\Delta V_{OT} = \left| \frac{V_{MAX} - V_{MIN}}{5V} \right| \times 100$$

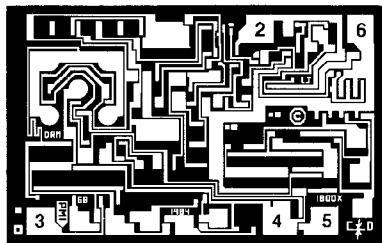
- $\Delta V_{OT}$  specification applies trimmed to +5.000V or untrimmed.
- $TCV_O$  is defined as  $\Delta V_{OT}$  divided by the temperature range, i.e.,

$$TCV_O = \frac{\Delta V_{OT}}{70^\circ C}$$

- Sample Tested.
- During sink current test the device meets the output voltage specified.

# REF-02

## DICE CHARACTERISTICS (125°C TESTED DICE AVAILABLE)



DIE SIZE 0.074 × 0.048 inch, 3552 sq. mils  
(1.88 × 1.22 mm, 2.29 sq. mm)

2. INPUT VOLTAGE ( $V_{IN}$ )
3. TEMPERATURE TRANSDUCER OUTPUT VOLTAGE (TEMP)
4. GROUND
5. TRIM
6. OUTPUT VOLTAGE ( $V_{OUT}$ )

**WAFER TEST LIMITS** at  $V_{IN} = +15V$ ,  $T_A = 25^\circ C$  for REF-02N and REF-02G devices;  $T_A = 125^\circ C$  for REF-02NT and REF-02GT devices, unless otherwise noted. (Note 3)

PARAMETER	SYMBOL	CONDITIONS	REF-02NT LIMIT	REF-02N LIMIT	REF-02GT LIMIT	REF-02G LIMIT	UNITS
Output Voltage	$V_O$	$I_L = 0$	4.975	4.985	4.950	4.975	V MIN
			5.025	5.015	5.050	5.025	V MAX
Output Adjustment Range	$V_{trim}$	$R_P = 10k\Omega$	—	±3	—	±3	% MIN
Line Regulation		$V_{IN} = 8V$ to 33V	0.015	0.01	0.015	0.01	%/V MAX

**NOTE:**

Electrical tests are performed at wafer probe to the limits shown. Due to variations in assembly methods and normal yield loss, yield after packaging is not guaranteed for standard product dice. Consult factory to negotiate specifications based on dice lot qualification through sample lot assembly and testing.

**TYPICAL ELECTRICAL CHARACTERISTICS** at  $V_{IN} = +15V$ ,  $T_A = +25^\circ C$ , unless otherwise noted.

PARAMETER	SYMBOL	CONDITIONS	REF-02NT TYPICAL	REF-02N TYPICAL	REF-02GT TYPICAL	REF-02G TYPICAL	UNITS
Temp. Voltage Output	$V_T$	(Notes 1, 2)	630	630	630	630	mV
Temp. Voltage Output Temp. Coefficient	$TCV_T$	(Notes 1, 2)	2.1	2.1	2.1	2.1	mV/°C
Output Voltage Temp. Coefficient	$TCV_O$		10	10	10	10	ppm/°C
Load Regulation		$I_L = 0$ to 10mA	0.007	0.005	0.009	0.006	%/mA
		$I_L = 0$ to 8mA, NT, GT @ +125°C					
Output Voltage Noise	$e_{np-p}$	0.1Hz to 10Hz	10	10	10	10	$\mu V_{p-p}$
Turn-On Settling Time	$t_{ON}$	To ±0.1% of final value, NT, GT @ +125°C	7.5	5.0	7.5	5.0	$\mu s$
Quiescent Supply Current	$I_{SY}$	No Load, NT, GT @ +125°C	1.4	1.0	1.4	1.0	mA
Load Current	$I_L$		21	21	21	21	mA
Sink Current	$I_S$		-0.5	-0.5	-0.5	-0.5	mA
Short-Circuit Current	$I_{SC}$	$V_O = 0$	30	30	30	30	mA

**NOTES:**

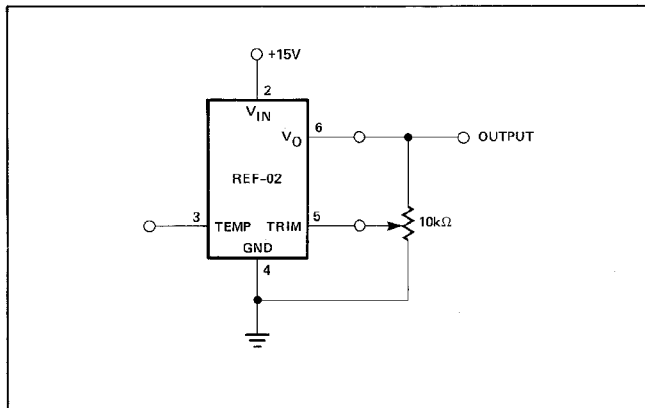
1. See AN-18 for detailed REF-02 thermometer applications information.
2. Limit current in or out of pin 3 to 50nA and capacitance on pin 3 to 30pF.
3. For +25°C specifications of REF-02NT and REF-02GT, see REF-02N and REF-02G respectively.

**OUTPUT ADJUSTMENT**

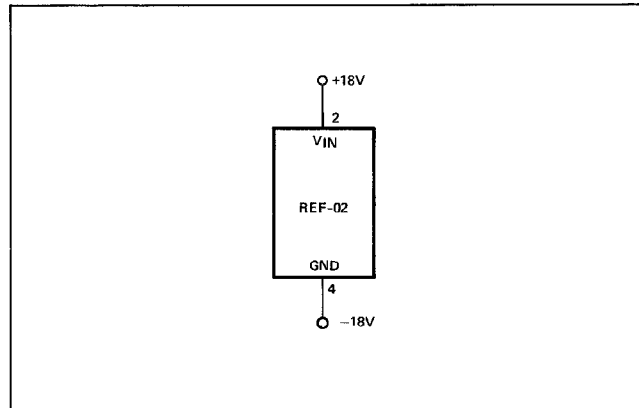
The REF-02 trim terminal can be used to adjust the output voltage over a  $5V \pm 300mV$  range. This feature allows the system designer to trim system errors by setting the reference to a voltage other than 5V. Of course, the output can also be set to exactly 5.000V or to 5.12V for binary applications.

Adjustment of the output does not significantly affect the temperature performance of the device. Typically, the temperature coefficient change is 0.7ppm/°C for 100mV of output adjustment.

**OUTPUT ADJUSTMENT CIRCUIT**

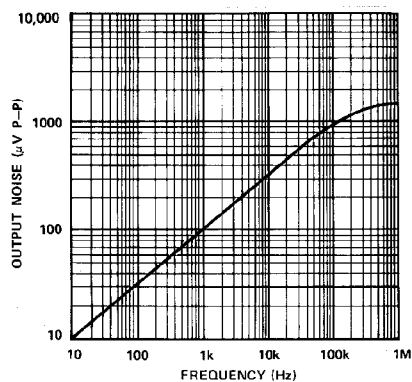


**BURN-IN CIRCUIT**

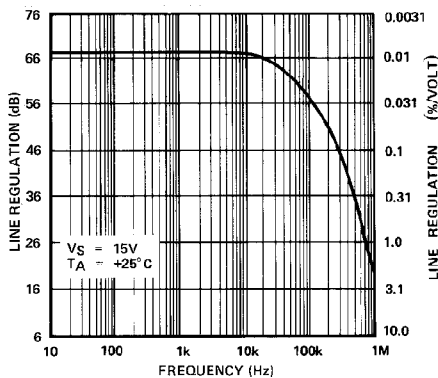


**TYPICAL PERFORMANCE CHARACTERISTICS**

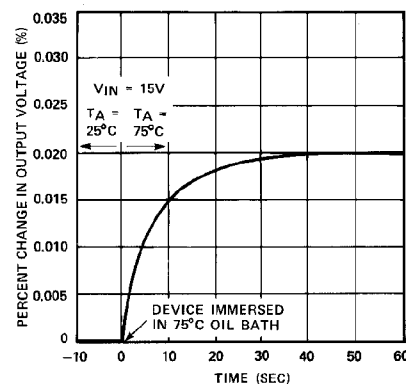
**OUTPUT WIDEBAND NOISE vs BANDWIDTH (0.1Hz TO FREQUENCY INDICATED)**



**LINE REGULATION vs FREQUENCY**



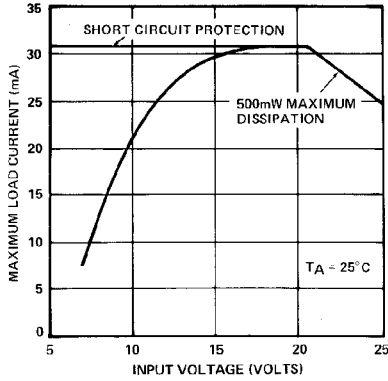
**OUTPUT CHANGE DUE TO THERMAL SHOCK**



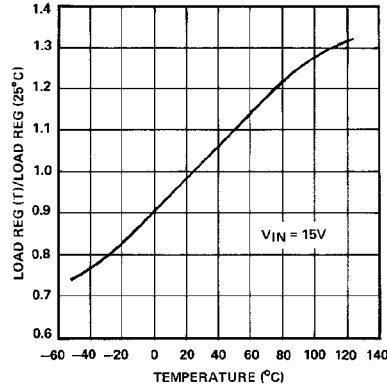
# REF-02

## TYPICAL PERFORMANCE CHARACTERISTICS

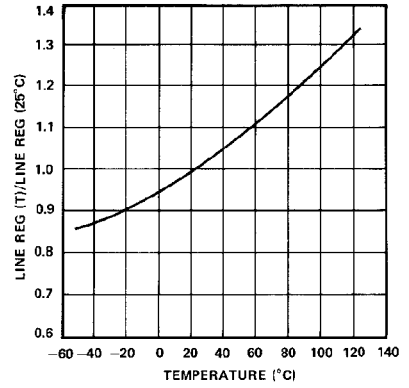
**MAXIMUM LOAD CURRENT vs INPUT VOLTAGE**



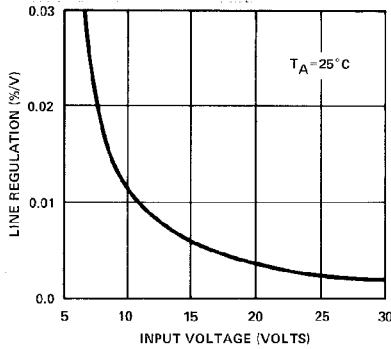
**NORMALIZED LOAD REGULATION ( $\Delta I_L = 10\text{mA}$ ) vs TEMPERATURE**



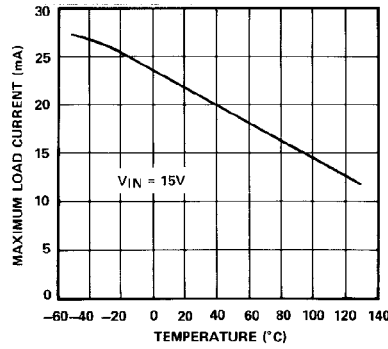
**NORMALIZED LINE REGULATION vs TEMPERATURE**



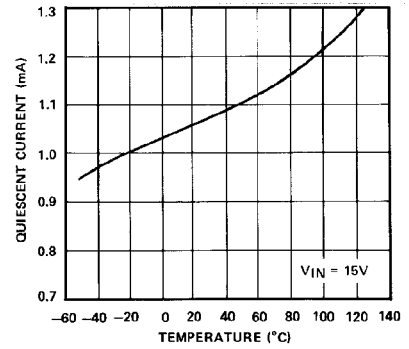
**LINE REGULATION vs SUPPLY VOLTAGE**



**MAXIMUM LOAD CURRENT vs TEMPERATURE**

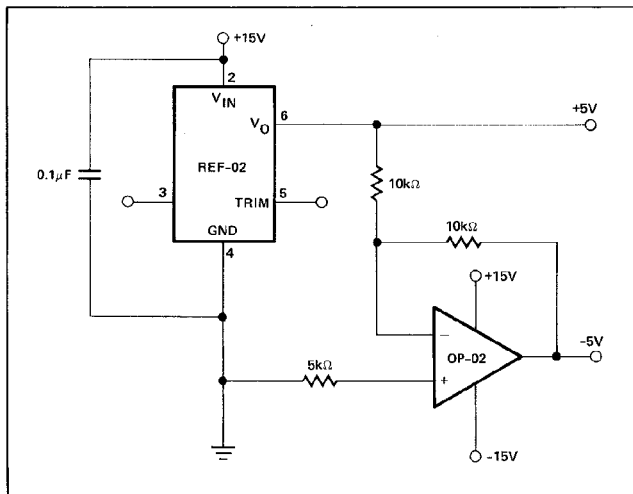


**QUIESCENT CURRENT vs TEMPERATURE**

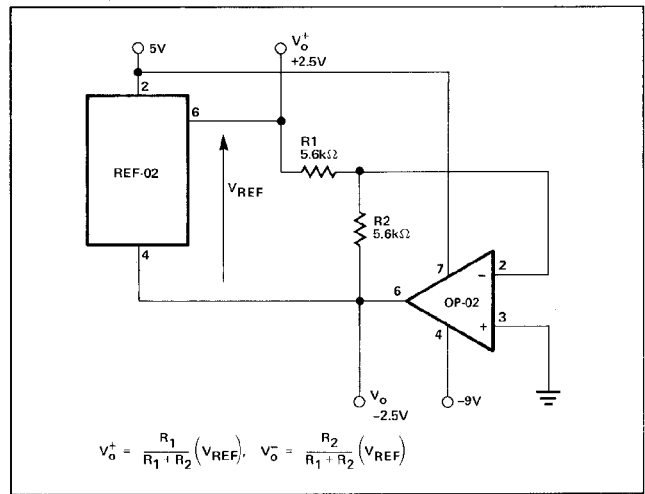


## TYPICAL APPLICATIONS

**±5V REFERENCE**



**±2.5V REFERENCE**



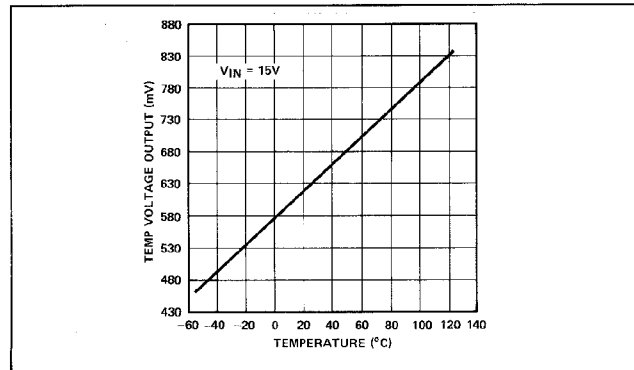
PRECISION TEMPERATURE TRANSDUCER WITH REMOTE SENSOR

\* UP TO 10 FEET OF SHIELDED 4-CONDUCTOR CABLE.

RESISTOR VALUES			
TCV <sub>OUT</sub> SLOPE (S)	10mV/°C	100mV/°C	10mV/°F
TEMPERATURE RANGE	-55° C to +125° C	-55° C to +125° C	-67° F to +257° C
OUTPUT VOLTAGE RANGE	-0.55V to +1.25V	-5.5V to +12.5V*	-0.67V to +2.57V
ZERO-SCALE	0V @ 0° C	0V @ 0° C	0V @ 0° F
R <sub>a</sub> (± 1% resistor)	9.09kΩ	15kΩ	7.5kΩ
R <sub>b1</sub> (± 1% resistor)	1.5kΩ	1.82kΩ	1.21kΩ
R <sub>bp</sub> (Potentiometer)	200Ω	500Ω	200Ω
R <sub>c</sub> (±1% resistor)	5.11kΩ	84.5kΩ	8.25kΩ

\*For 125° C operation, the op amp output must be able to swing to +12.5V, increase V<sub>IN</sub> to +18V from +15V if this is a problem.

TYPICAL TEMPERATURE VOLTAGE OUTPUT vs TEMPERATURE (REF-02A)



REFERENCE STACK WITH EXCELLENT LINE REGULATION

Two REF-01's and one REF-02 can be stacked to yield 5.000V, 15.000V and 25.000V outputs. An additional advantage of this circuit is near-perfect line regulation of the 5.0V and 15.0V outputs. A 27V to 55V input change produces an output change which is less than the noise voltage of the devices. A load bypass resistor (R<sub>B</sub>) provides a path for the supply current (I<sub>SY</sub>) of the 15.000V regulator.

In general, any number of REF-01's and REF-02's can be stacked this way. For example, ten devices will yield ten outputs in 5V or 10V steps. The line voltage can range from 100V to 130V. However, care must be taken to ensure that the total load currents do not exceed the maximum usable current (typically 21mA).

TEMPERATURE CONTROLLER

NOTES:

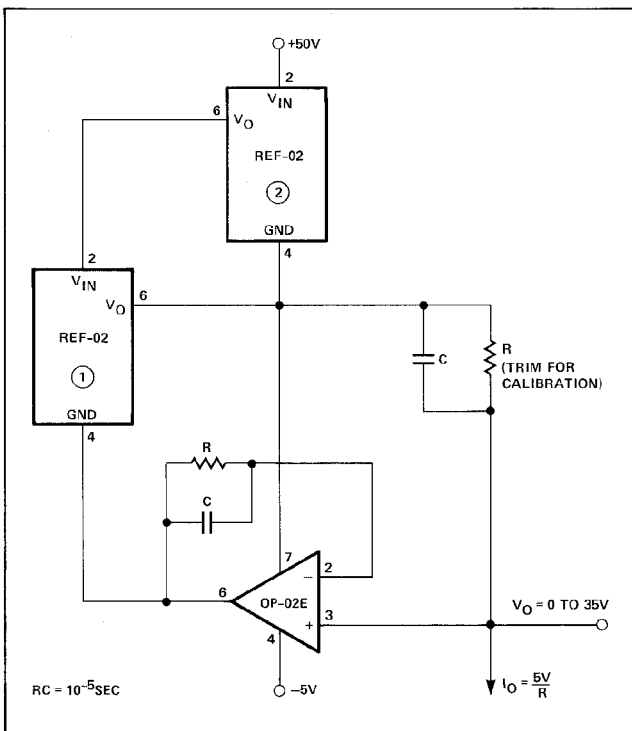
- REF-02 SHOULD BE THERMALLY CONNECTED TO SUBSTANCE BEING HEATED.
- NUMBERS IN PARENTHESES ARE FOR A SETPOINT TEMPERATURE OF 60° C.
- R<sub>3</sub> = R<sub>1</sub>/R<sub>2</sub>/R<sub>6</sub>

# REF-02

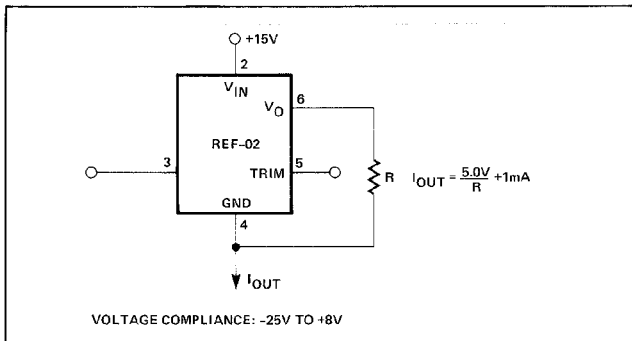
## PRECISION CURRENT SOURCE

A current source with 35V output compliance and excellent output impedance can be obtained using this circuit. REF-02 (2) keeps the line voltage and power dissipation constant in device (1); the only important error consideration at room temperature is the negative supply rejection of the op amp. The typical  $3\mu\text{V/V}$  PSRR of the OP-02E will create a 20ppm change ( $3\mu\text{V/V} \times 35\text{V}/5\text{V}$ ) in output current over a 35V range. For example, a 5mA current source can be built ( $R = 1\text{k}\Omega$ ) with  $350\text{M}\Omega$  output impedance.

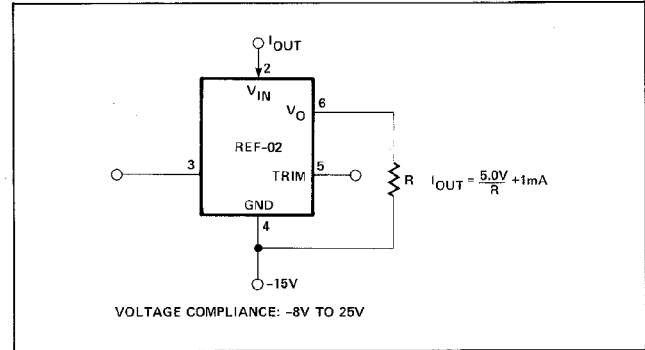
$$R_O = \frac{35\text{V}}{20 \times 10^{-6} \times 5\text{mA}}$$



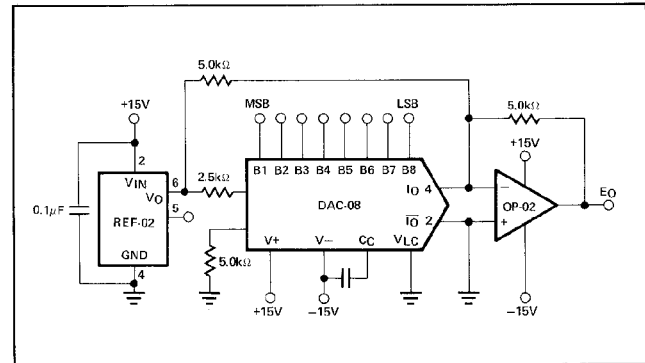
## CURRENT SOURCE



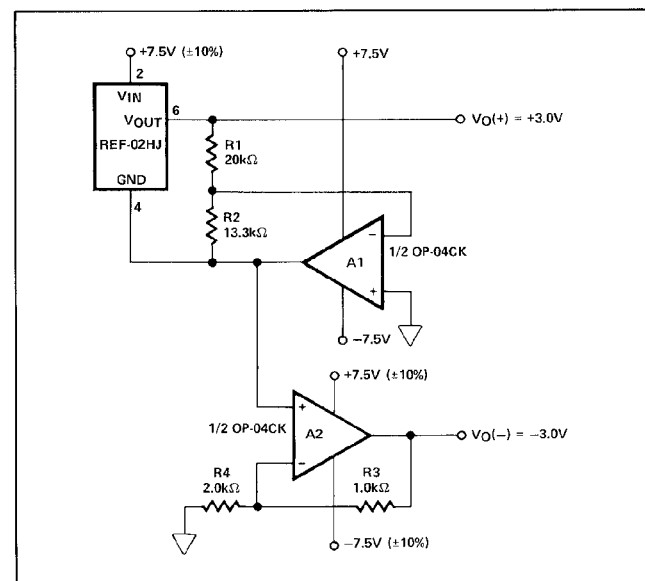
## CURRENT SINK



## D/A CONVERTER REFERENCE



## ±3V REFERENCE



## SUPPLY BYPASSING

For best results, it is recommended that the power supply pin is bypassed with a  $0.1\mu\text{F}$  disc ceramic capacitor.