

2SA1670

Silicon PNP Epitaxial Planar

T-33-21

☆ Complement to type 2SC4385

Application Example :
Audio and General Purpose

● Outline Drawing 5.....FM100

Absolute Maximum Ratings (Ta=25°C)

Symbol	2SA1670	Unit
V _{CB0}	-80	V
V _{CE0}	-80	V
V _{EBO}	-6	V
I _c	-6	A
I _B	-3	A
P _c	60 (T _c = 25°C)	W
T _j	150	°C
T _{stg}	-55~+150	°C

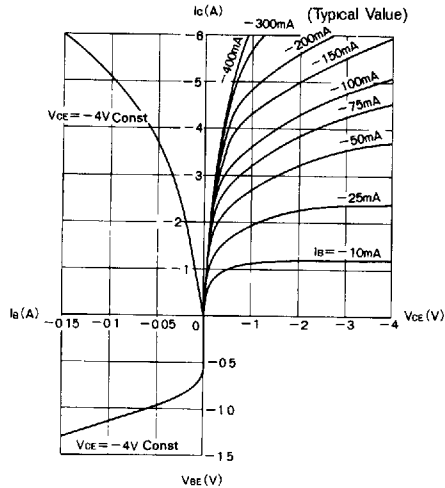
Electrical Characteristics (Ta=25°C)

Symbol	Conditions	2SA1670	Unit
I _{CB0}	V _{CB} =-80V	-10max	μA
I _{EBO}	V _{EB} =-6V	-10min	μA
V _{(BR)CEO}	I _c = -50mA	-80min	V
h _{FE}	V _{CE} = -4V, I _c = -2A	50min	
V _{CE(sat)}	I _c = -2A, I _B = -0.2A	-1.5max	V
f _t	V _{CE} = -12V, I _E = 0.5A	20typ	MHz

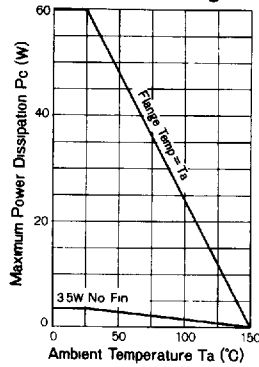
Typical Switching Characteristics (Common Emitter)

V _{CC} (V)	R _L (Ω)	I _c (A)	V _{BB1} (V)	V _{BB2} (V)	I _{B1} (A)	I _{B2} (A)	t _{on} (μs)	t _{stg} (μs)	t _i (μs)
-30	10	-3	-10	5	-0.3	0.3	0.25typ	0.5typ	0.1typ

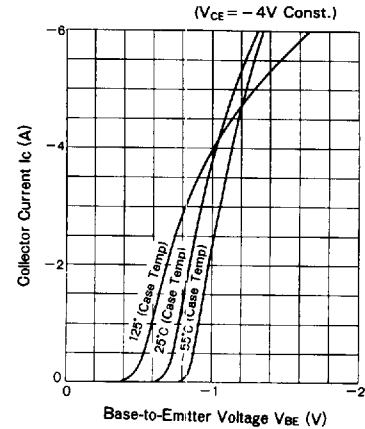
Common Emitter Characteristics



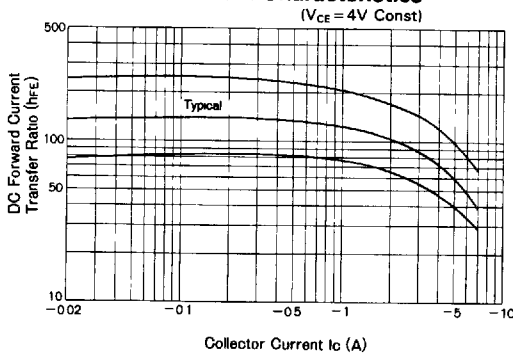
Power Derating



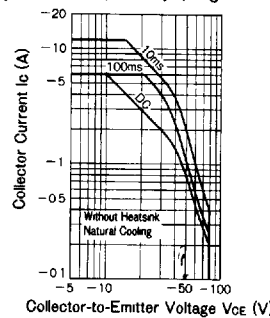
Temperature Characteristics



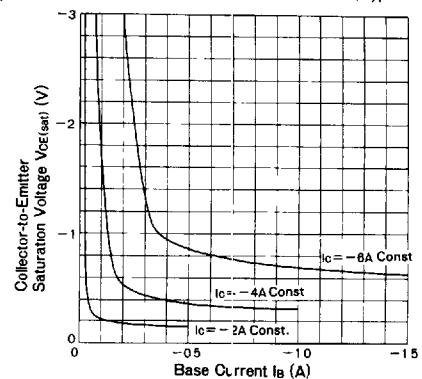
DC Current Gain Characteristics



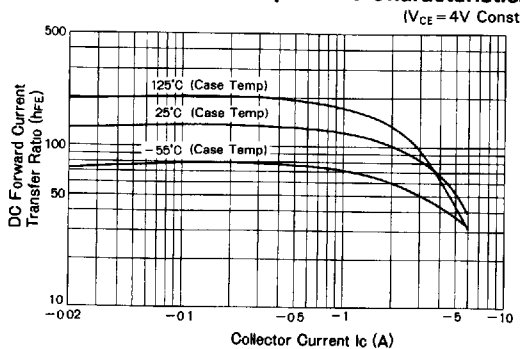
Maximum Areas For Safe Operation (ASO) (Single Pulse)



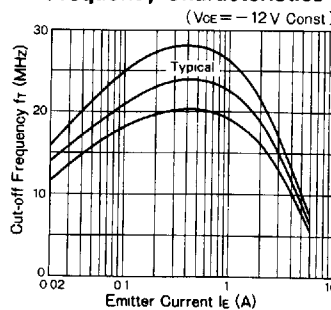
V_{CE(sat)} - I_B Characteristics (Typical Value)



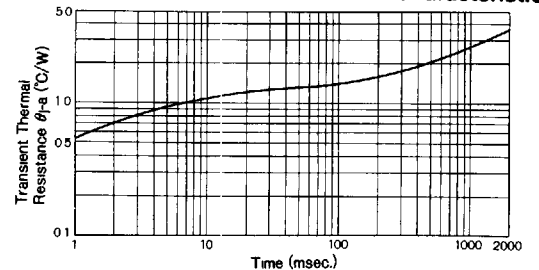
DC Current Gain Temperature Characteristics



Frequency Characteristics



Transient Thermal Resistance Characteristics



T-91-20

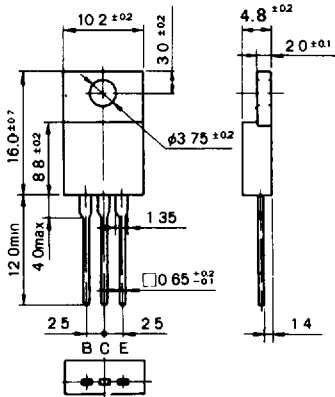
Outline Drawings/Accessories

Outline Drawing

- Nonflammability: UL94V-0 or equivalent
- Unit: in mm

Outline Drawing 1

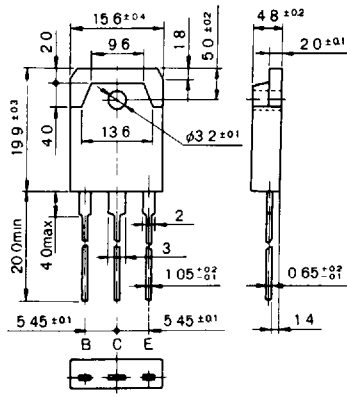
MT-25(T0220)



Weight: Approx. 2.6g

Outline Drawing 2

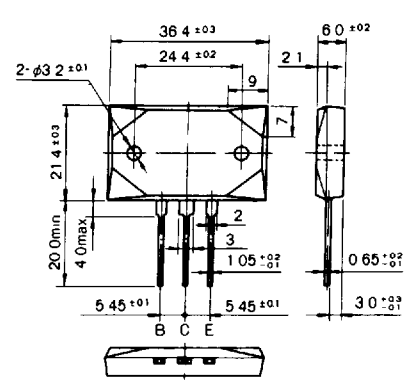
MT-100(T03P)



Weight: Approx. 6.0g

Outline Drawing 3

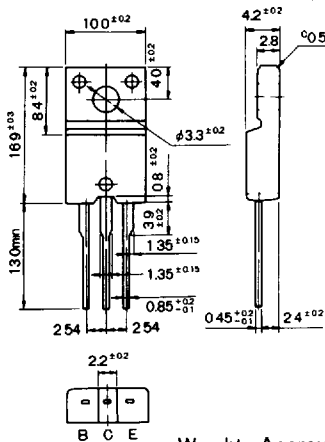
MT-200



Weight: Approx. 18.4g

Outline Drawing 4

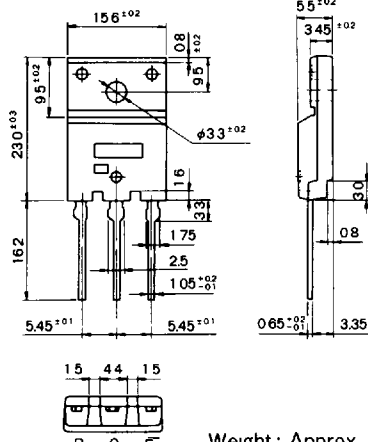
FM20 (Full Mold)



Weight: Approx. 2.0g

Outline Drawing 5

FM100 (Full Mold)



Weight: Approx. 6.5g

Accessories

☆Sanken Transistors do not include accessories. Accessories may be attached at a cost if requested.

☆Sanken transistor case is a standard size, and can replace any generally sold product.

- Heatsink: Mica, with a thickness of 0.06 mm, +0.045 -0.005 allowance

- Insulation Bush for MT-25(T0220)

Type Name: Molded (10) Mica Type Name: Molded (14) Mica Type Name: Molded (9) Mica

