

Ultra-Fast-Recovery Rectifier Diodes 200V

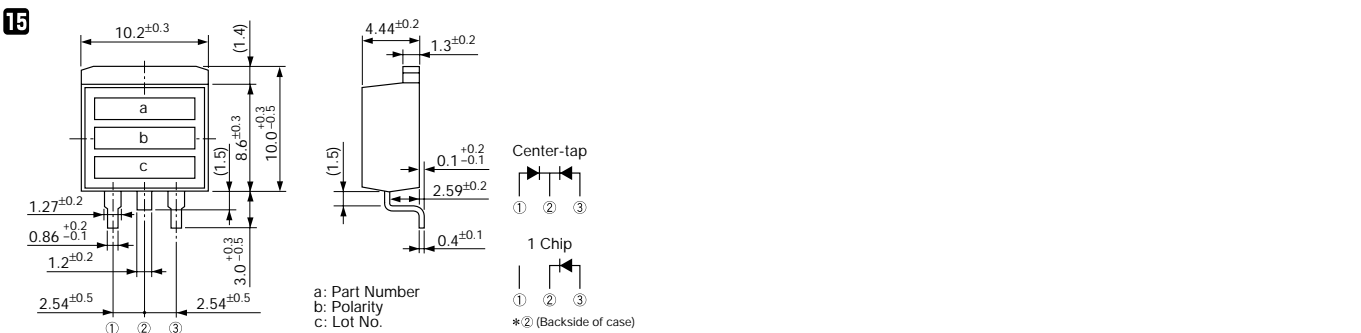
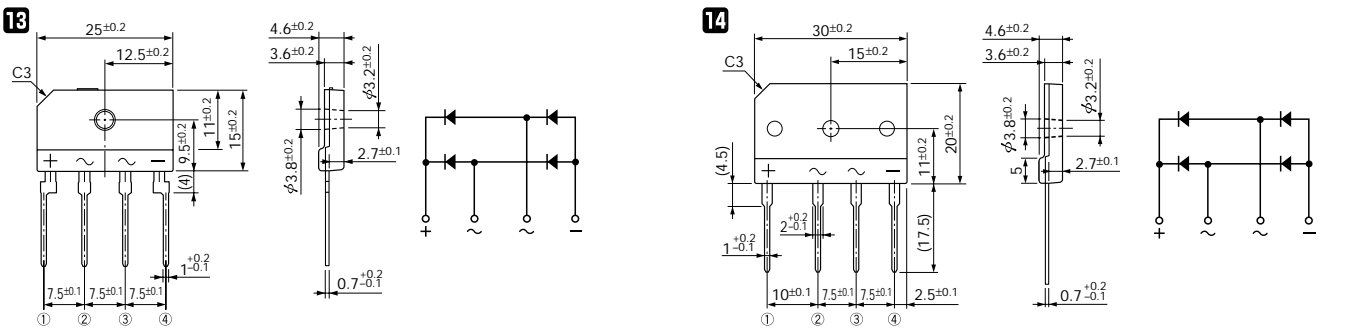
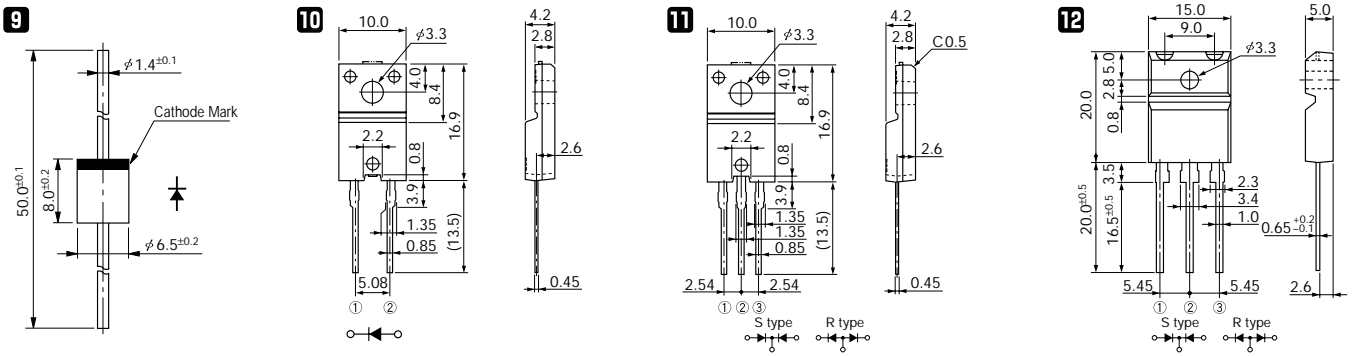
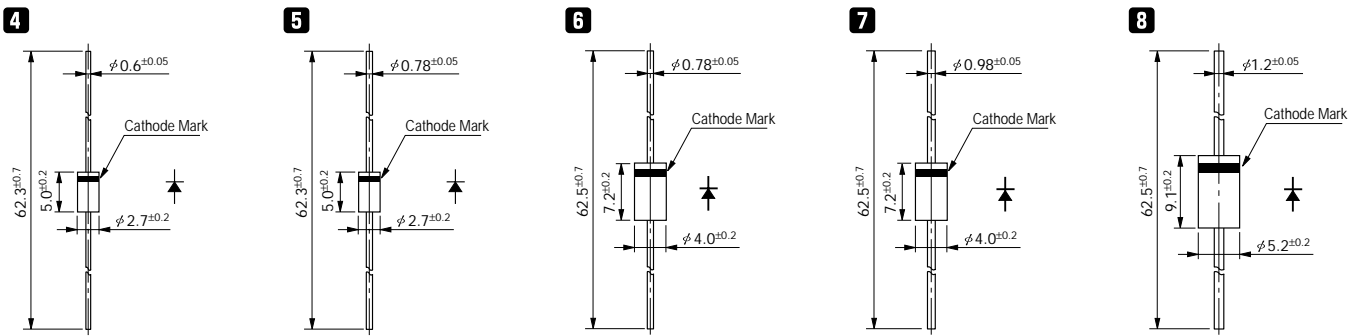
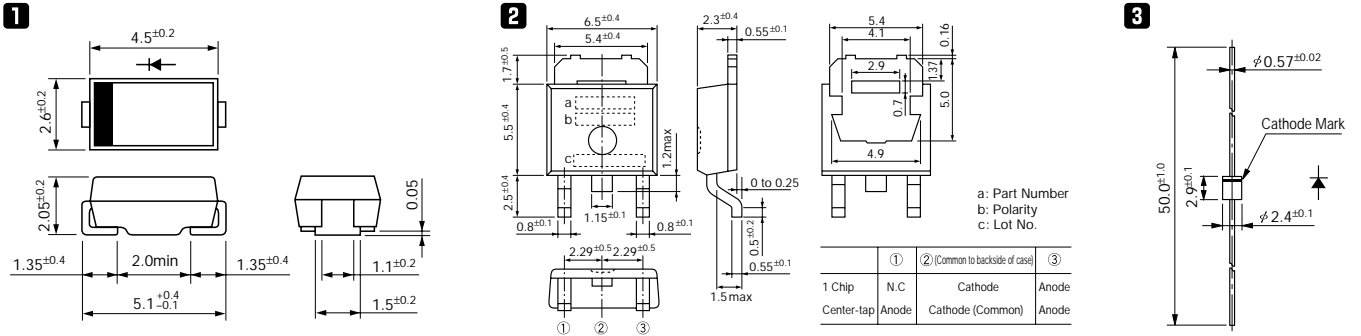
trr ①: I_F/I_R(=I_F) 90% Recovery Point
 (ex. I_F/I_R = 100mA/100mA 90% Recovery Point)
 trr ②: I_F/I_R(=2 I_F) 75% Recovery Point
 (ex. I_F/I_R = 100mA/200mA 75% Recovery Point)

| V _{RM} (V) | Package | Part Number | I _F (AV) (A) | I _{FSM} (A) | T _j (°C) | T _{stg} (°C) | V _F (V) | I _F (A) | I _R (μA) | I _R (H) (mA) | T _a (°C) | trr ① (ns) | | trr ② (ns) | | R _{th} (j-ℓ) R _{th} (j-c) (°C/W) | Mass (g) | Fig. No. | Page where characteristic curve is shown |
|------------------------|-----------------------------|-------------|----------------------------|--|------------------------|--------------------------|-----------------------|-----------------------|--|--|------------------------|---|---|---------------|------|--|-------------|----------|--|
| | | | | 50Hz Half-cycle Sinewave Single Shot | | | | | V _R =V _{RM} max | V _R =V _{RM} max | | I _F /I _{FP} (mA) | I _F /I _{FP} (mA) | | | | | | |
| 200 | Surface Mount | SFPL-52 | 0.9 | 25 | -40 to +150 | 0.98 | 1.0 | 10 | 1 | 150 (Tj) | 50 | 100/100 | 35 | 100/200 | 20 | 0.072 | 1 | 63 | |
| | | SFPL-62 | 1.0 | 25 | -40 to +150 | 0.98 | 1.0 | 10 | 1 | 150 (Tj) | 50 | 100/100 | 35 | 100/200 | 20 | 0.072 | | | |
| | | SFPX-62 | 1.5 | 30 | -40 to +150 | 0.98 | 1.5 | 10 | 2 | 150 (Tj) | 30 | 100/100 | 25 | 100/200 | 20 | 0.072 | | | |
| | | SPX-G32S | 3.0 | 50 | -40 to +150 | 0.98 | 3.0 | 50 | 10 | 100 | 30 | 100/100 | 25 | 100/200 | 5.0 | 0.41 | 2 | 64 | |
| | | MPL-102S | 10.0 | 65 | -40 to +150 | 0.98 | 5.0 | 100 | 0.2 | 150 | 40 | 100/100 | 30 | 100/200 | 2.5 | 1.4 | 15 | 80 | |
| | Surface Mount Center-tap | SPX-62S | 6.0 | 80 | -40 to +150 | 0.98 | 3.0 | 50 | 10 | 100 | 30 | 100/100 | 25 | 100/200 | 5.0 | 0.41 | 2 | 64 | |
| | | MP2-202S | 20.0 | 110 | -40 to +150 | 0.98 | 10.0 | 200 | 0.4 | 150 | 50 | 100/100 | 35 | 100/200 | 2.5 | 1.4 | 15 | 80 | |
| | Axial | AG01Z | 0.7 | 15 | -40 to +150 | 1.8 | 0.7 | 100 | 0.5 | 100 | 100 | 100/100 | 50 | 100/200 | 22 | 0.13 | 3 | 64 | |
| | | EG01Z | 0.7 | 15 | -40 to +150 | 1.9 | 0.7 | 50 | 0.3 | 100 | 100 | 100/100 | 50 | 100/200 | 20 | 0.2 | 4 | | |
| | | EG 1Z | 0.8 | 15 | -40 to +150 | 1.7 | 0.8 | 50 | 0.3 | 100 | 100 | 100/100 | 50 | 100/200 | 17 | 0.3 | 5 | 65 | |
| | | AL01Z | 1.0 | 25 | -40 to +150 | 0.98 | 1.0 | 100 | 0.5 | 100 | 50 | 100/100 | 35 | 100/200 | 22 | 0.13 | 3 | 64 | |
| | | EN01Z | 1.0 | 50 | -40 to +150 | 0.92 | 1.0 | 10 | 2 | 150 (Tj) | 100 | 100/100 | 50 | 100/200 | 20 | 0.2 | 4 | 65 | |
| | | RG 10Z | 1.2 | 50 | -40 to +150 | 1.5 | 1.2 | 500 | 2.5 | 100 | 100 | 100/100 | 50 | 100/200 | 15 | 0.4 | 6 | 66 | |
| | | RG 2Z | 1.2 | 50 | -40 to +150 | 1.5 | 1.5 | 500 | 2.5 | 100 | 100 | 100/100 | 50 | 100/200 | 12 | 0.6 | 7 | 68 | |
| | | EL02Z | 1.5 | 25 | -40 to +150 | 0.98 | 1.5 | 50 | 0.1 | 100 | 40 | 100/100 | 30 | 100/200 | 20 | 0.2 | 4 | 65 | |
| | | EL 1Z | 1.5 | 20 | -40 to +150 | 0.98 | 1.5 | 100 | 0.5 | 100 | 100 | 100/100 | 50 | 100/200 | 17 | 0.3 | 5 | 66 | |
| | | RN 1Z | 1.5 | 60 | -40 to +150 | 0.92 | 1.5 | 20 | 3 | 150 (Tj) | 100 | 100/100 | 50 | 100/200 | 15 | 0.4 | 6 | 67 | |
| | | RX 10Z * | 2.0 | 30 | -40 to +150 | 0.98 | 2.0 | 50 | 3 | 150 (Tj) | 30 | 100/100 | 25 | 100/200 | 15 | 0.4 | | 80 | |
| | | RL 10Z | 2.0 | 30 | -40 to +150 | 0.98 | 2.0 | 50 | 0.1 | 100 | 50 | 100/100 | 35 | 100/200 | 15 | 0.4 | 7 | 67 | |
| | | RL 2Z | 2.0 | 30 | -40 to +150 | 0.98 | 2.0 | 100 | 0.5 | 100 | 50 | 100/100 | 35 | 100/200 | 12 | 0.6 | | 68 | |
| | | RN 2Z | 2.0 | 70 | -40 to +150 | 0.92 | 2.0 | 50 | 4 | 150 (Tj) | 100 | 100/100 | 50 | 100/200 | 12 | 0.6 | 8 | 69 | |
| | | RN 3Z | 3.0 | 80 | -40 to +150 | 0.92 | 3.0 | 50 | 6 | 150 (Tj) | 100 | 100/100 | 50 | 100/200 | 10 | 1.0 | | 70 | |
| | | RX 3Z | 3.0 | 80 | -40 to +150 | 0.98 | 3.0 | 50 | 10 | 100 | 30 | 100/100 | 25 | 100/200 | 10 | 1.0 | 9 | 71 | |
| | | RG 4Z | 1.0 (3.0) | 80 | -40 to +150 | 1.7 | 3.0 | 1000 | 5 | 100 | 100 | 100/100 | 35 | 100/200 | 8 | 1.2 | | | |
| | RL 3Z | 3.5 | 80 | -40 to +150 | 0.95 | 3.5 | 50 | 0.2 | 100 | 50 | 100/100 | 35 | 100/200 | 10 | 1.0 | 8 | 69 | | |
| | RL 4Z | 3.5 | 80 | -40 to +150 | 0.95 | 3.5 | 150 | 0.5 | 100 | 50 | 100/100 | 50 | 100/200 | 8 | 1.2 | | 71 | | |
| | RN 4Z | 3.5 | 120 | -40 to +150 | 0.92 | 3.5 | 50 | 6 | 150 (Tj) | 100 | 100/100 | 50 | 100/200 | 8 | 1.2 | 10 | 72 | | |
| | Frame-2Pin | FML-G12S | 5.0 | 65 | -40 to +150 | 0.98 | 5.0 | 250 | 1 | 100 | 40 | 100/100 | 30 | 100/200 | 4.0 | | | 2.1 | |
| | | FMN-G12S | 5.0 | 100 | -40 to +150 | 0.92 | 5.0 | 100 | 10 | 100 | 100 | 100/100 | 50 | 100/200 | 4.0 | | | 2.1 | |
| | | FMP-G12S | 5.0 | 65 | -40 to +150 | 1.15 | 5.0 | 50 | 0.5 | 100 | 150 | 100/100 | 70 | 100/200 | 4.0 | | | 2.1 | |
| FMX-G12S | | 5.0 | 65 | -40 to +150 | 0.98 | 5.0 | 100 | 20 | 100 | 30 | 100/100 | 25 | 100/200 | 4.0 | 2.1 | | | | |
| FML-G22S | | 10.0 | 150 | -40 to +150 | 0.98 | 10.0 | 500 | 2 | 100 | 40 | 500/500 | 30 | 500/1000 | 4.0 | 2.1 | | | | |
| FMX-G22S | | 10.0 | 150 | -40 to +150 | 0.98 | 10.0 | 200 | 50 | 100 | 30 | 500/500 | 25 | 500/1000 | 4.0 | 2.1 | | | | |
| Center-tap | FMG-12S, R | 5.0 | 35 | -40 to +150 | 1.8 | 2.5 | 500 | 1.5 | 100 | 100 | 100/100 | 50 | 100/200 | 4.0 | 2.1 | 11 | 74 | | |
| | FML-12S | 5.0 | 35 | -40 to +150 | 0.98 | 2.5 | 150 | 0.5 | 100 | 40 | 100/100 | 30 | 100/200 | 4.0 | 2.1 | | 75 | | |
| | FMX-12S | 5.0 | 35 | -40 to +150 | 0.98 | 2.5 | 50 | 10 | 100 | 30 | 100/100 | 25 | 100/200 | 4.0 | 2.1 | | 77 | | |
| | FMG-22S, R | 10.0 | 65 | -40 to +150 | 1.8 | 5.0 | 500 | 1.5 | 100 | 100 | 100/100 | 50 | 100/200 | 4.0 | 2.1 | 11 | 75 | | |
| | FML-22S | 10.0 | 65 | -40 to +150 | 0.98 | 5.0 | 250 | 1 | 100 | 40 | 100/100 | 30 | 100/200 | 4.0 | 2.1 | | 76 | | |
| | FMX-22S | 10.0 | 65 | -40 to +150 | 0.98 | 5.0 | 100 | 20 | 100 | 30 | 100/100 | 25 | 100/200 | 4.0 | 2.1 | | 77 | | |
| | FMX-22SL | 15.0 | 100 | -40 to +150 | 0.98 | 7.5 | 150 | 30 | 100 | 30 | 500/500 | 25 | 500/1000 | 4.0 | 2.1 | 12 | 78 | | |
| | FMG-32S, R | 20.0 | 150 | -40 to +150 | 1.8 | 10.0 | 1000 | 5 | 100 | 100 | 100/100 | 50 | 100/200 | 2.0 | 5.5 | | | | |
| | FML-32S | 20.0 | 150 | -40 to +150 | 0.98 | 10.0 | 600 | 2 | 100 | 40 | 100/100 | 30 | 100/200 | 2.0 | 5.5 | | | | |
| FMX-32S | 20.0 | 150 | -40 to +150 | 0.98 | 10.0 | 200 | 50 | 100 | 30 | 500/500 | 25 | 500/1000 | 2.0 | 5.5 | 13 | 79 | | | |
| Bridge | RBV-402L | 4.0 | 80 | -40 to +150 | 0.98 | 2.0 | 50 | 0.1 | 100 | 40 | 100/100 | 30 | 100/200 | 5.0 | | | 4.05 | | |
| | RBV-602L | 6.0 | 100 | -40 to +150 | 1.0 | 3.0 | 250 | 1 | 100 | 50 | 100/100 | 35 | 100/200 | 3.0 | 6.45 | | | | |

* : Under development

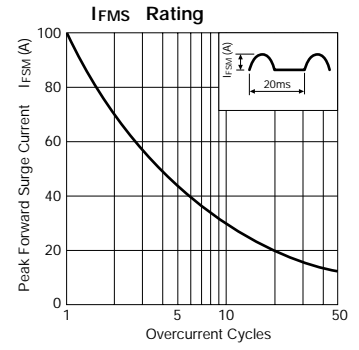
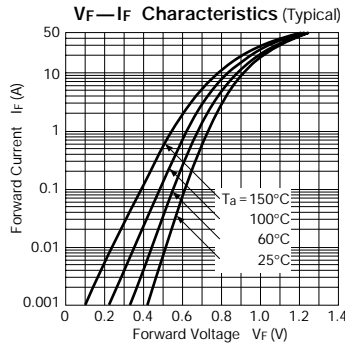
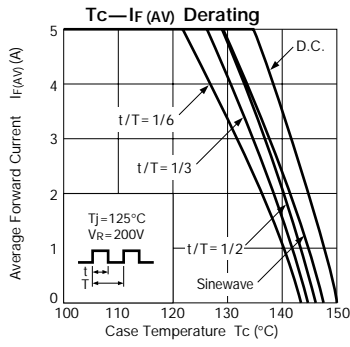
Ultra-Fast-Recovery Rectifier Diodes 200V

External Dimensions Flammability: UL94V-0 or Equivalent (Unit: mm)

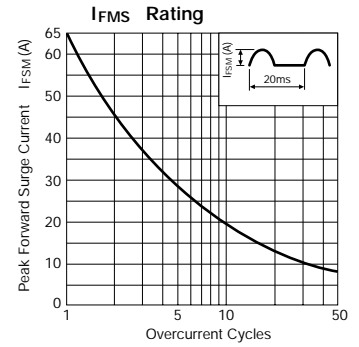
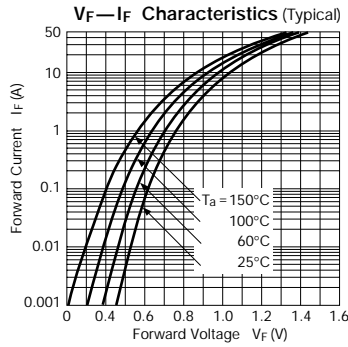
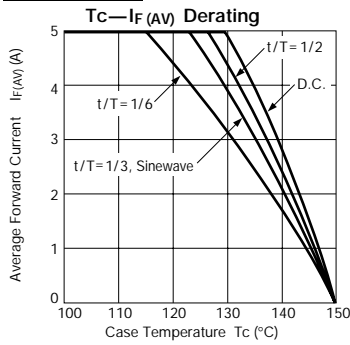


Ultra-Fast-Recovery Rectifier Diodes

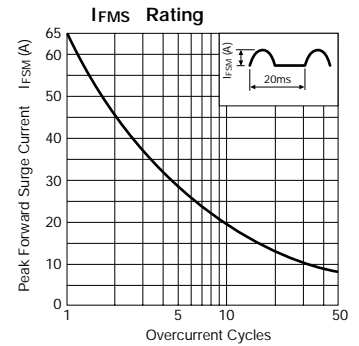
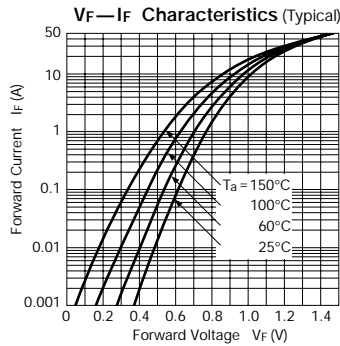
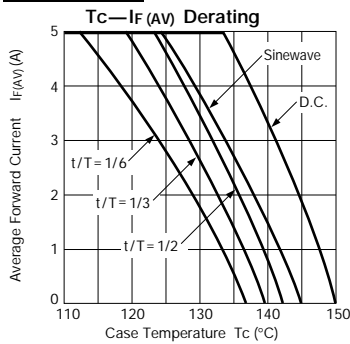
FMN-G12S



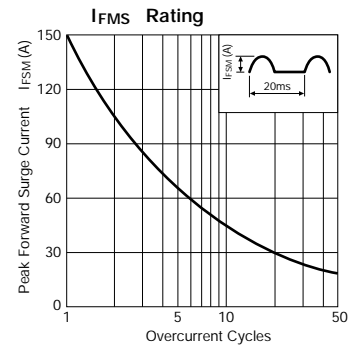
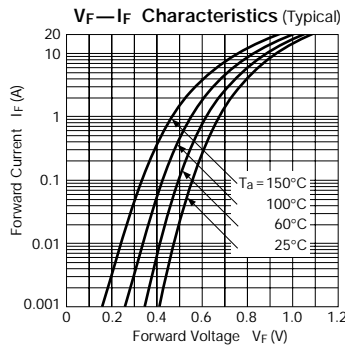
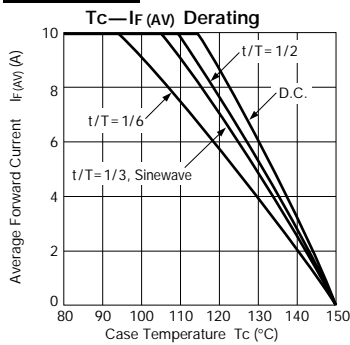
FMP-G12S



FMX-G12S



FML-G22S



FMX-G22S

