

TENTATIVE

Features

- High density mounting is possible because of the complex type which holds low-on-resistance, very-high-speed-switching and 4-volt-drive N- / P- channel / MOSFETs.
- Low ON-state resistance.

Absolute Maximum Ratings / Ta=25°C

		N-channel	P-channel	unit
Drain to Source Voltage	VDSS	30	30	V
Gate to Source Voltage	VGSS	±25	±25	V
Drain Current(DC)	ID	5	-3	A
Drain Current(Pulse)	IDP	PW≤10μS, dutycycle≤1%	-32	A
Allowable power Dissipation	PD	Mounted on ceramic board (1000mm ² × 0.8mm) 1unit	1.7	W
Total Dissipation	PT	Mounted on ceramic board (1000mm ² × 0.8mm)	2.0	W
Channel Temperature	Tch		150	°C
Storage Temperature	Tstg		-55 to ±150	°C

Electrical Characteristics / Ta=25°C

(N-channel)				min	typ	max	unit
Drain to Source Breakdown Voltage	V(BR)DSS	ID=1mA , VGS=0		30			V
Zero Gate Voltage Drain Current	IDSS	VDS=30V , VGS=0				100	μA
Gate to Source Leakage Current	IGSS	VGS=±20V , VDS=0				±10	μA
Cutoff Voltage	VGS(off)	VDS=10V , ID=1mA		1.0		2.5	V
Forward Transfer Admittance	yfs	VDS=10V , ID=5A		5	8		S
Static Drain to Source	RDS(on) 1	ID=5A , VGS=10V			50	65	mΩ
On State Resistance	RDS(on) 2	ID=2A , VGS=4V			84	120	mΩ
Input Capacitance	Ciss	VDS=10V , f=1MHz			460		pF
Output Capacitance	Coss	VDS=10V , f=1MHz			340		pF
Reverse Transfer Capacitance	Crss	VDS=10V , f=1MHz			85		pF
Turn-ON Delay Time	td(on)	See Specified Test Circuit			13		ns
Rise Time	tr				300		ns
Turn-OFF Delay Time	td(off)				30		ns
Fall Time	tf				50		ns
Diode Forward Voltage	VSD	IS=5A , VGS = 0		1.0		1.2	V

(P-channel)

			min	typ	max	unit	
Drain to Source Breakdown Voltage	V(BR)DSS	ID=-1mA , VGS=0	-30			V	
Zero Gate Voltage Drain Current	IDSS	VDS=-30V , VGS=0			-100	μA	
Gate to Source Leakage Current	IGSS	VGS=±20V , VDS=0			±10	μA	
Cutoff Voltage	VGS(off)	VDS=-10V , ID=-1mA	-1.0		-2.5	V	
Forward Transfer Admittance	yfs	VDS=-10V , ID=-3A		3	5	S	
Static Drain to Source	RDS(on) 1	ID=-3A , VGS=-10V			110	160	mΩ
On State Resistance	RDS(on) 2	ID=-2A , VGS=-4V			200	320	mΩ
Input Capacitance	Ciss	VDS=-10V , f=1MHz			460		pF
Output Capacitance	Coss	VDS=-10V , f=1MHz			350		pF
Reverse Transfer Capacitance	Crss	VDS=-10V , f=1MHz			80		pF
Turn-ON Delay Time	td(on)	See Specified Test Circuit			13		ns
Rise Time	tr				150		ns
Turn-OFF Delay Time	td(off)				30		ns
Fall Time	tf				50		ns
Diode Forward Voltage	VSD	IS=-3A , VGS = 0		-1.0	-1.2	V	

Specifications and information herein are subject to change without notice.

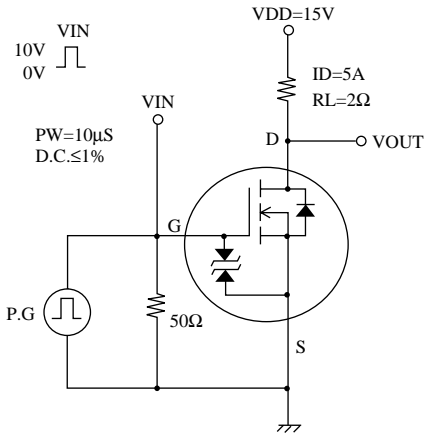
SANYO Electric Co., Ltd. Semiconductor Company

TOKYO OFFICE Tokyo Bldg., 1-10,1 Chome, Ueno, taito-ku, 110 JAPAN

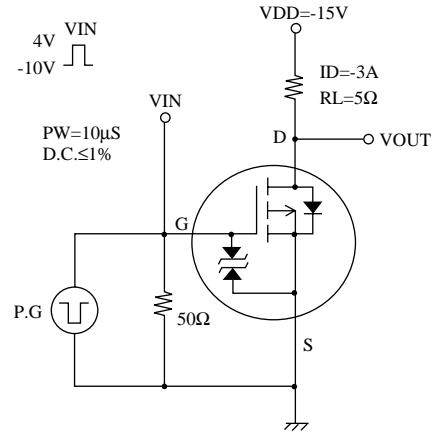
990401TM2FXHD

FW306

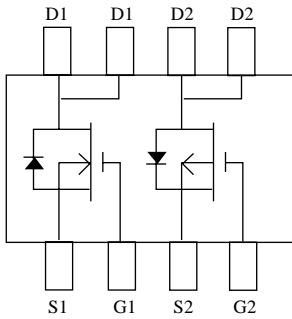
Switching Time Test Circuit
(N-channel)



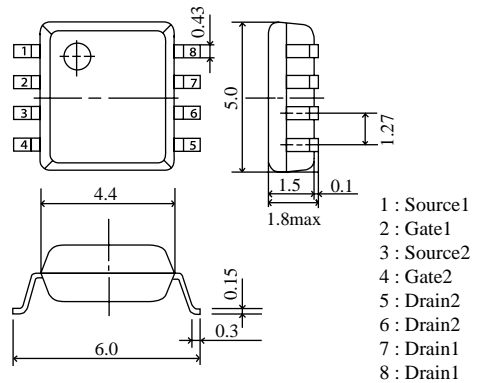
Switching Time Test Circuit
(P-channel)



Electrical Connection
(Top View)



Case Outline
SOP8(unit:mm)



Specifications and information herein are subject to change without notice.

990401TM2fXHD