

# HA17431 Series

## Shunt Regulator

# HITACHI

ADE-204-049 (Z)

Rev. 0

Dec. 2000

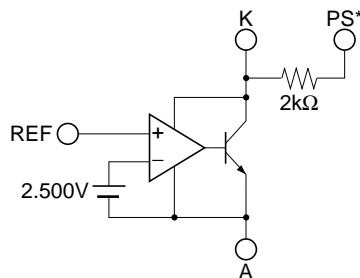
### Description

The HA17431 series is a family of voltage referenced shunt regulators. The main application of these products is in voltage regulators that provide a variable output voltage. The HA17431 series products are provided in a wide range of packages; TO-92 and TO-92MOD insertion mounting packages and MPAK-5, UPAK, and FP-8D surface mounting packages are available. The on-chip high-precision reference voltage source can provide  $\pm 1\%$  accuracy in the V versions, which have a  $V_{KA}$  max of 16 volts. The HA17431VLP, which is provided in the MPAK-5 package, is designed for use in switching mode power supplies. It provides a built-in photocoupler bypass resistor for the PS pin, and an error amplifier can be easily constructed on the supply side.

### Features

- The V versions provide  $2.500\text{ V} \pm 1\%$  at  $T_a = 25^\circ\text{C}$
- The HA17431VLP includes a photocoupler bypass resistor ( $2\text{ k}\Omega$ )
- The reference voltage has a low temperature coefficient
- The MPAK-5 and UPAK miniature packages are optimal for use on high mounting density circuit boards
- A wide operating temperature range ( $-40$  to  $+85^\circ\text{C}$ ) is provided by the TO-92, TO-92MOD, and FP-8D package versions

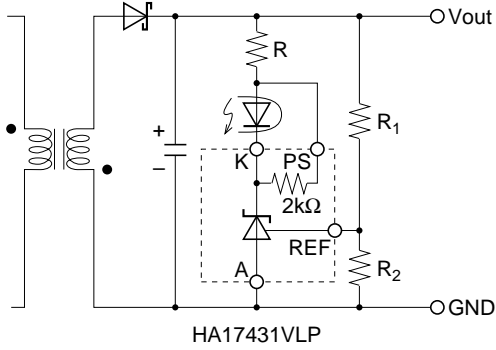
### Block Diagram



Note: \* The PS pin is only provided by the HA17431VLP.

## Application Circuit Example

Switching power supply secondary-side error amplification circuit



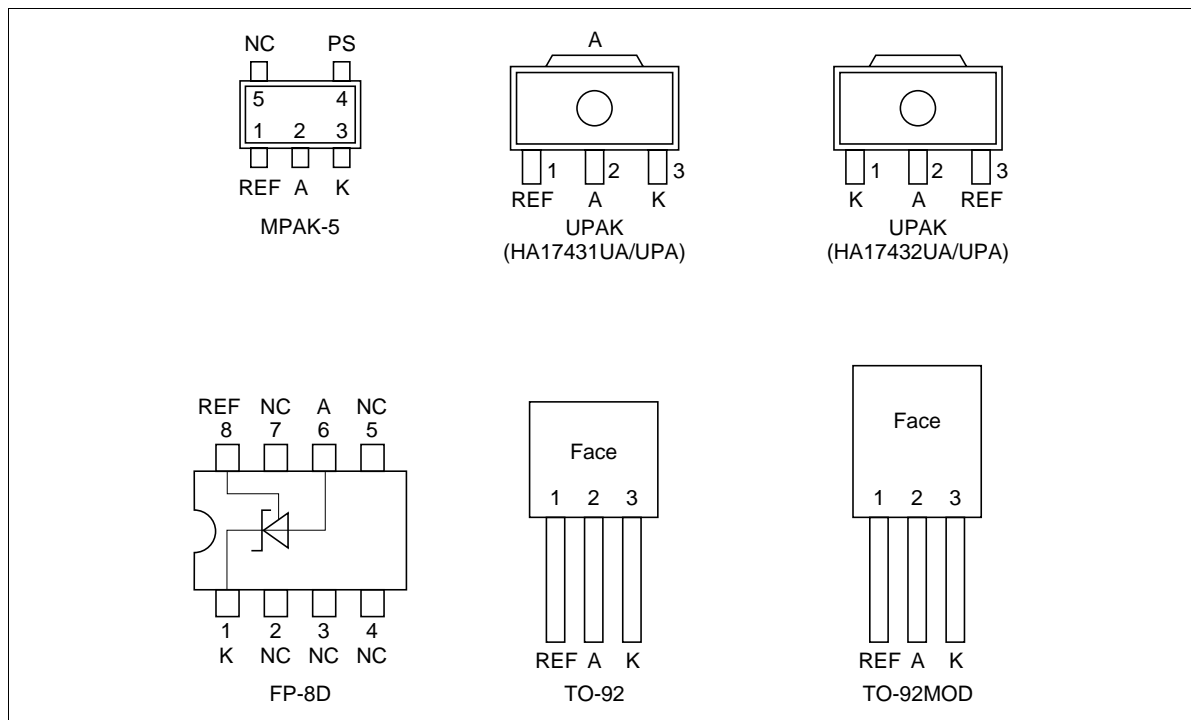
## Ordering Information

Item		Version			Package	Temp. Range
		V Version	A Version	Normal Version		
Reference voltage	Accuracy	±1% (at 25°C)	±2.2%	±4%		
	Max	2.525 V	2.550 V	2.595 V		
	Typ	2.500 V	2.495 V	2.495 V		
	Min	2.475 V	2.440 V	2.395 V		
Cathode voltage		16 V max	40 V max	40 V max		
Cathode current		50 mA max	150 mA max	150 mA max		
Wide temperature use		HA17431VPJ	HA17431PNAJ		TO-92	-40 to +85°C
			HA17431PAJ		TO-92MOD	
				HA17431PJ	TO-92MOD	
			HA17431FPAJ		FP-8D	
				HA17431FPJ	FP-8D	

## Ordering Information (cont)

Item	Version			Package	Temp. Range
	V Version	A Version	Normal Version		
Industrial use	HA17431VLP			MPAK-5	-20 to +85°C
	HA17431VP	HA17431PNA		TO-92	
		HA17431UPA		UPAK	
		HA17432UPA		UPAK	
		HA17431PA		TO-92MOD	
			HA17431P	TO-92MOD	
			HA17431FPA	FP-8D	
		HA17431FP	FP-8D		
Commercial use		HA17431UA		UPAK	
		HA17432UA		UPAK	

## Pin Arrangement



# HA17431 Series

## Absolute Maximum Ratings (Ta = 25°C)

Item	Symbol	HA17431VLP	HA17431VP	HA17431VPJ	Unit	Notes
Cathode voltage	$V_{KA}$	16	16	16	V	1
PS term. voltage	$V_{PS}$	$V_{KA}$ to 16	—	—	V	1, 2, 3
Continuous cathode current	$I_K$	-50 to +50	-50 to +50	-50 to +50	mA	
Reference input current	$I_{ref}$	-0.05 to +10	-0.05 to +10	-0.05 to +10	mA	
Power dissipation	$P_T$	150 *4	500 *5	500 *5	mW	4, 5
Operating temperature range	$T_{opr}$	-20 to +85	-20 to +85	-40 to +85	°C	
Storage temperature	$T_{stg}$	-55 to +150	-55 to +150	-55 to +150	°C	

Item	Symbol	HA17431P/PA	HA17431FP/FPA	HA17431UA/UPA	Unit	Notes
Cathode voltage	$V_{KA}$	40	40	40	V	1
Continuous cathode current	$I_K$	-100 to +150	-100 to +150	-100 to +150	mA	
Reference input current	$I_{ref}$	-0.05 to +10	-0.05 to +10	-0.05 to +10	mA	
Power dissipation	$P_T$	800 *6	500 *7	800 *8	mW	6, 7, 8
Operating temperature range	$T_{opr}$	-20 to +85	-20 to +85	-20 to +85	°C	
Storage temperature	$T_{stg}$	-55 to +150	-55 to +125	-55 to +150	°C	

Item	Symbol	HA17431PJ/PAJ	HA17431FPJ/FPAJ	Unit	Notes
Cathode voltage	$V_{KA}$	40	40	V	1
Continuous cathode current	$I_K$	-100 to +150	-100 to +150	mA	
Reference input current	$I_{ref}$	-0.05 to +10	-0.05 to +10	mA	
Power dissipation	$P_T$	800 *6	500 *7	mW	6, 7
Operating temperature range	$T_{opr}$	-40 to +85	-40 to +85	°C	
Storage temperature	$T_{stg}$	-55 to +150	-55 to +125	°C	

Item	Symbol	HA17432UA/UPA	HA17431PNA	HA17431PNAJ	Unit	Notes
Cathode voltage	$V_{KA}$	40	40	40	V	
Continuous cathode current	$I_K$	-100 to +150	-100 to +150	-100 to +150	mA	
Reference input current	$I_{ref}$	-0.05 to +10	-0.05 to +10	-0.05 to +10	mA	
Power dissipation	$P_T$	800 *8	500 *5	500*5	mW	
Operating temperature range	$T_{opr}$	-20 to +85	-20 to +85	-40 to +85	°C	
Storage temperature	$T_{stg}$	-55 to +150	-55 to +150	-55 to +150	°C	

Notes: 1. Voltages are referenced to anode.

2. The PS pin is only provided by the HA17431VLP.

3. The PS pin voltage must not fall below the cathode voltage. If the PS pin is not used, the PS pin is recommended to be connected with the cathode.

4.  $T_a \leq 25^\circ\text{C}$ . If  $T_a > 25^\circ\text{C}$ , derate by 1.2 mW/°C.

5.  $T_a \leq 25^\circ\text{C}$ . If  $T_a > 25^\circ\text{C}$ , derate by 4.0 mW/°C.

6.  $T_a \leq 25^\circ\text{C}$ . If  $T_a > 25^\circ\text{C}$ , derate by 6.4 mW/°C.

7. 50 mm × 50 mm × t1.5mm glass epoxy board,  $T_a \leq 25^\circ\text{C}$ . If  $T_a > 25^\circ\text{C}$ , derate by 5 mW/°C.

8. 15 mm × 25 mm × t0.7mm alumina ceramic board,  $T_a \leq 25^\circ\text{C}$ . If  $T_a > 25^\circ\text{C}$ , derate by 6.4 mW/°C.

# HA17431 Series

## Electrical Characteristics (Ta = 25°C)

HA17431VLP/VP/VPJ (Ta = 25°C, I<sub>k</sub> = 10 mA)

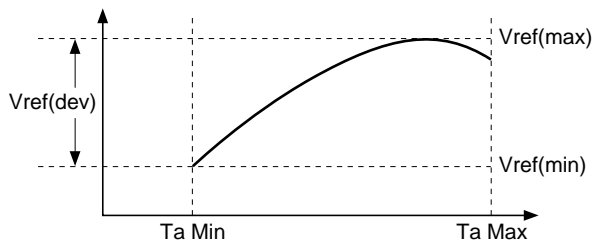
Item	Symbol	Min	Typ	Max	Unit	Test Conditions	Notes
Reference voltage	V <sub>ref</sub>	2.475	2.500	2.525	V	V <sub>KA</sub> = V <sub>ref</sub>	
Reference voltage temperature deviation	V <sub>ref</sub> (dev)	—	10	—	mV	V <sub>KA</sub> = V <sub>ref</sub> , Ta = -20°C to +85°C	1
Reference voltage temperature coefficient	ΔV <sub>ref</sub> /ΔTa	—	±30	—	ppm/°C	V <sub>KA</sub> = V <sub>ref</sub> , 0°C to 50°C gradient	
Reference voltage regulation	ΔV <sub>ref</sub> /ΔV <sub>KA</sub>	—	2.0	3.7	mV/V	V <sub>KA</sub> = V <sub>ref</sub> to 16 V	
Reference input current	I <sub>ref</sub>	—	2	6	μA	R <sub>1</sub> = 10 kΩ, R <sub>2</sub> = ∞	
Reference current temperature deviation	I <sub>ref</sub> (dev)	—	0.5	—	μA	R <sub>1</sub> = 10 kΩ, R <sub>2</sub> = ∞, Ta = -20°C to +85°C	
Minimum cathode current	I <sub>min</sub>	—	0.4	1.0	mA	V <sub>KA</sub> = V <sub>ref</sub>	2
Off state cathode current	I <sub>off</sub>	—	0.001	1.0	μA	V <sub>KA</sub> = 16 V, V <sub>ref</sub> = 0 V	
Dynamic impedance	Z <sub>KA</sub>	—	0.2	0.5	Ω	V <sub>KA</sub> = V <sub>ref</sub> , I <sub>k</sub> = 1 mA to 50 mA	
Bypass resistance	R <sub>PS</sub>	1.6	2.0	2.4	kΩ	I <sub>PS</sub> = 1 mA	3
Bypass resistance temperature coefficient	ΔR <sub>PS</sub> /ΔTa	—	+2000	—	ppm/°C	I <sub>PS</sub> = 1 mA, 0°C to 50°C gradient	3

## HA17431PJ/PAJ/FPJ/FPAJ/P/PA/UA/UPA/FP/FPA/PNA/PNAJ, HA17432UA/UPA

( $T_a = 25^\circ\text{C}$ ,  $I_K = 10\text{ mA}$ )

Item	Symbol	Min	Typ	Max	Unit	Test Conditions	Notes
Reference voltage	$V_{\text{ref}}$	2.440 2.395	2.495	2.550 2.595	V	$V_{KA} = V_{\text{ref}}$	A Normal
Reference voltage temperature deviation	$V_{\text{ref}}(\text{dev})$	—	11 5	(30) (17)	mV	$V_{KA} = V_{\text{ref}}$ $T_a = -20^\circ\text{C}$ to $+85^\circ\text{C}$ $T_a = 0^\circ\text{C}$ to $+70^\circ\text{C}$	1, 4 1, 4
Reference voltage regulation	$\Delta V_{\text{ref}}/\Delta V_{KA}$	—	1.4 1	3.7 2.2	mV/V	$V_{KA} = V_{\text{ref}}$ to 10 V $V_{KA} = 10\text{ V}$ to 40 V	
Reference input current	$I_{\text{ref}}$	—	3.8	6	$\mu\text{A}$	$R_1 = 10\text{ k}\Omega$ , $R_2 = \infty$	
Reference current temperature deviation	$I_{\text{ref}}(\text{dev})$	—	0.5	(2.5)	$\mu\text{A}$	$R_1 = 10\text{ k}\Omega$ , $R_2 = \infty$ , $T_a = 0^\circ\text{C}$ to $+70^\circ\text{C}$	4
Minimum cathode current	$I_{\text{min}}$	—	0.4	1.0	mA	$V_{KA} = V_{\text{ref}}$	2
Off state cathode current	$I_{\text{off}}$	—	0.001	1.0	$\mu\text{A}$	$V_{KA} = 40\text{ V}$ , $V_{\text{ref}} = 0\text{ V}$	
Dynamic impedance	$Z_{KA}$	—	0.2	0.5	$\Omega$	$V_{KA} = V_{\text{ref}}$ , $I_K = 1\text{ mA}$ to 100 mA	

Notes: 1.  $V_{\text{ref}}(\text{dev}) = V_{\text{ref}}(\text{max}) - V_{\text{ref}}(\text{min})$

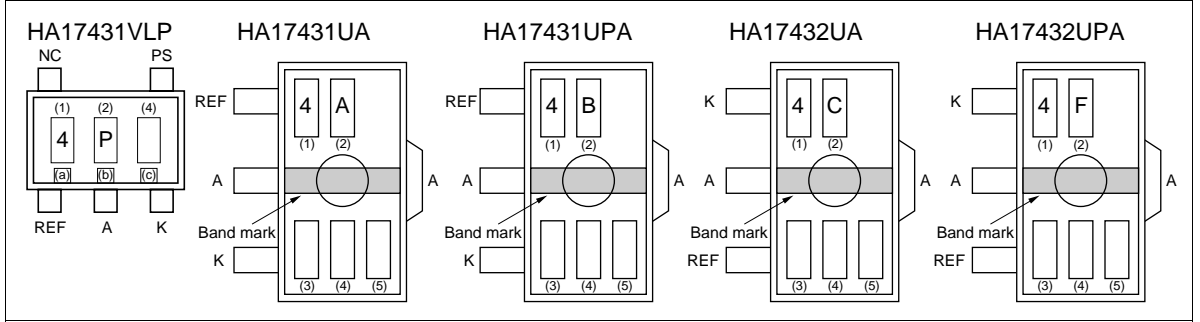


- $I_{\text{min}}$  is given by the cathode current at  $V_{\text{ref}} = V_{\text{ref}}(I_K=10\text{mA}) - 15\text{ mV}$ .
- $R_{\text{PS}}$  is only provided in HA17431VLP.
- The maximum value is a design value (not measured).

# HA17431 Series

## MPAK-5 and UPAK Marking Patterns

The marking patterns shown below are used on MPAK-5 and UPAK products. Note that the product code and mark pattern are different. The pattern is laser-printed.



Notes: 1. Boxes (1) to (5) in the figures show the position of the letters or numerals, and are not actually marked on the package.

2. The letters (1) and (2) show the product specific mark pattern.

Product	(1)	(2)
HA17431VLP	4	P
HA17431UA	4	A
HA17431UPA	4	B
HA17432UA	4	C
HA17432UPA	4	F

3. The letter (3) shows the production year code (the last digit of the year) for UPAK products.

4. The bars (a), (b) and (c) show a production year code for MPAK-5 products as shown below. After 2005 the code is repeated every 8 years.

Year	1997	1998	1999	2000	2001	2002	2003	2004
(a)	Bar	Bar	Bar	Bar	None	None	None	None
(b)	None	None	Bar	Bar	None	None	Bar	Bar
(c)	None	Bar	None	Bar	None	Bar	None	Bar

5. The letter (4) shows the production month code (see table below).

Production month	Jan.	Feb.	Mar.	Apr.	May.	Jun.	Jul.	Aug.	Sep.	Oct.	Nov.	Dec.
Marked code	A	B	C	D	E	F	G	H	J	K	L	M

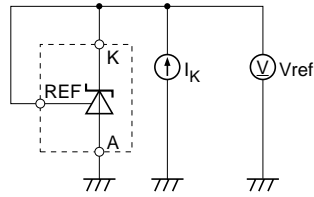
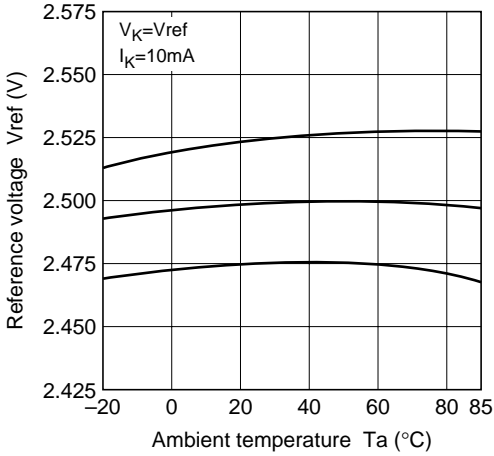
6. The letter (5) shows manufacturing code. For UPAK products.



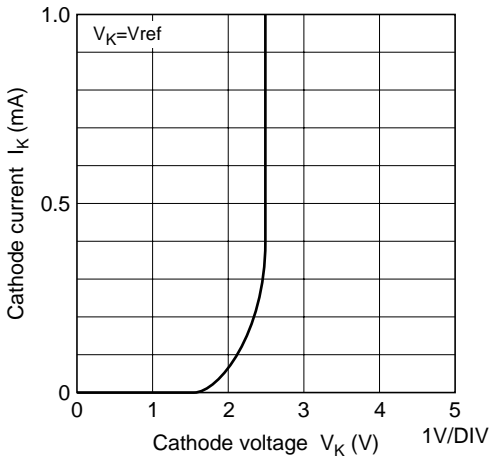
Characteristics Curves

HA17431VLP/VP/VPJ

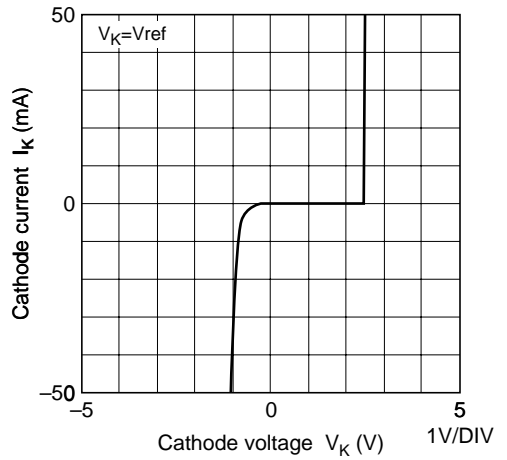
Reference Voltage Temperature Characteristics



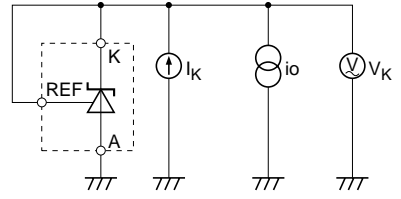
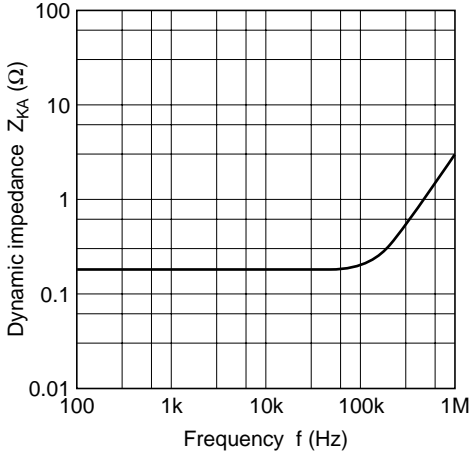
Cathode Current vs. Cathode Voltage Characteristics 1



Cathode Current vs. Cathode Voltage Characteristics 2



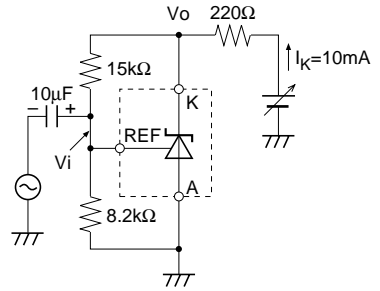
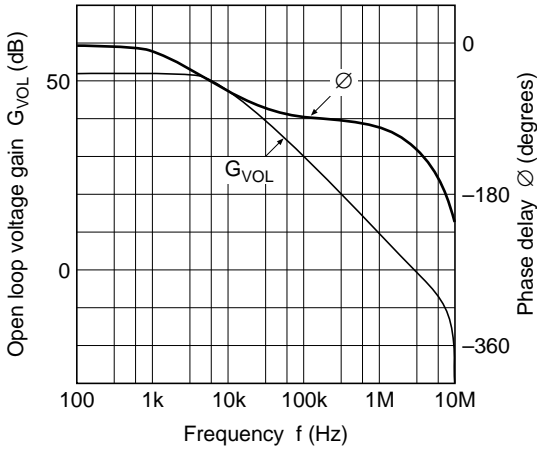
Dynamic Impedance vs. Frequency Characteristics



$$i_o = 2 \text{ mA}_{p.p}$$

$$Z_{KA} = \frac{V_K}{i_o} (\Omega)$$

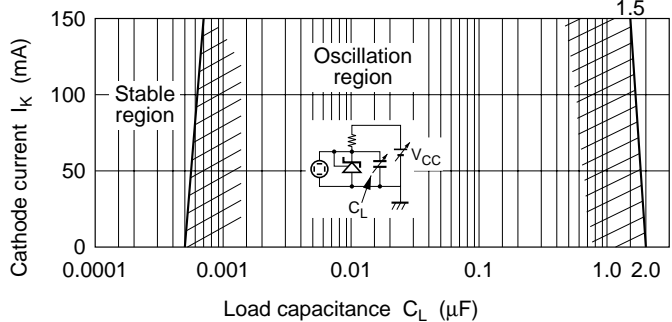
Open Loop Voltage Gain, Phase vs. Frequency Characteristics



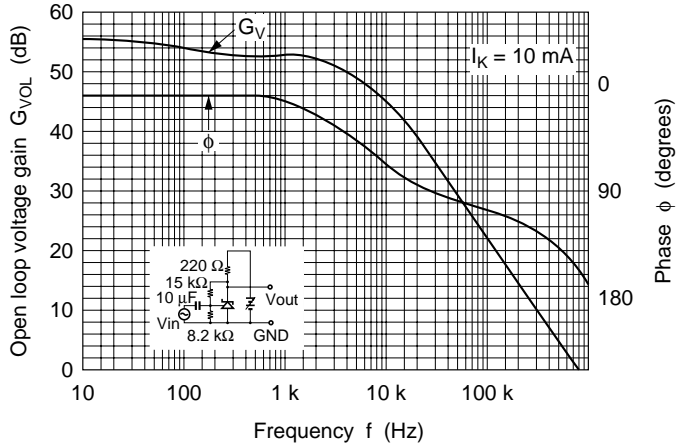
$$G = 20 \log \left( \frac{V_o}{V_i} \right) (\text{dB})$$

HA17431PJ/PAJ/FPJ/FPAJ/P/PA/UA/UPA/FP/FPA/PNA/PNAJ, HA17432UA/UPA

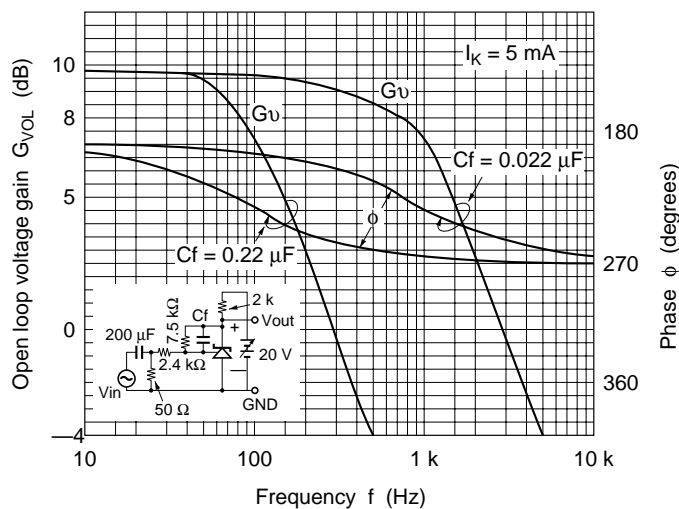
Oscillation Stability vs. Load Capacitance between Anode and Cathode

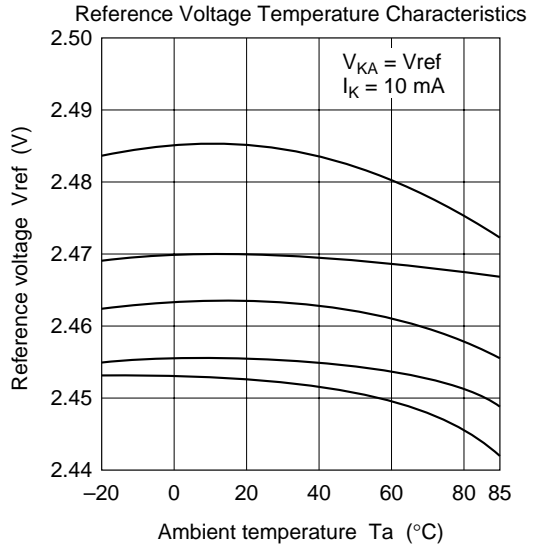
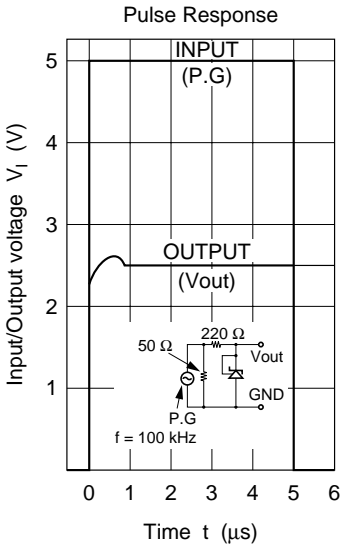
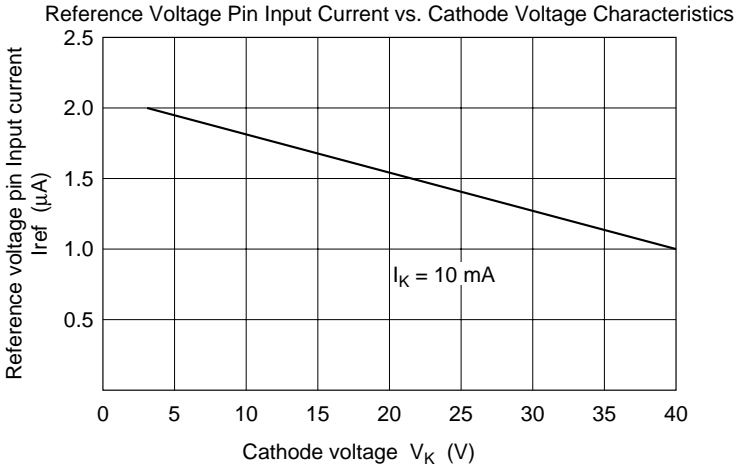


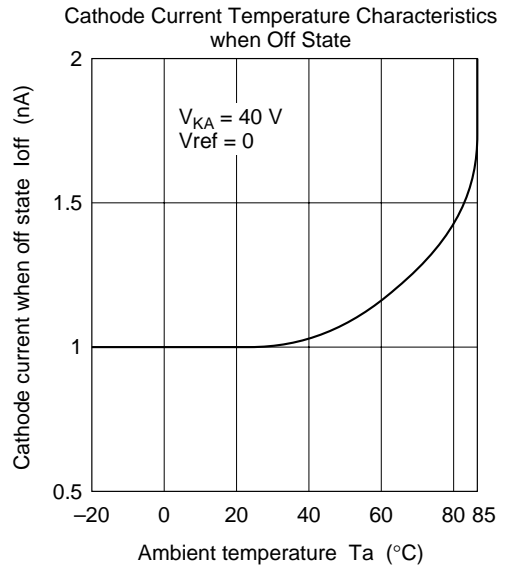
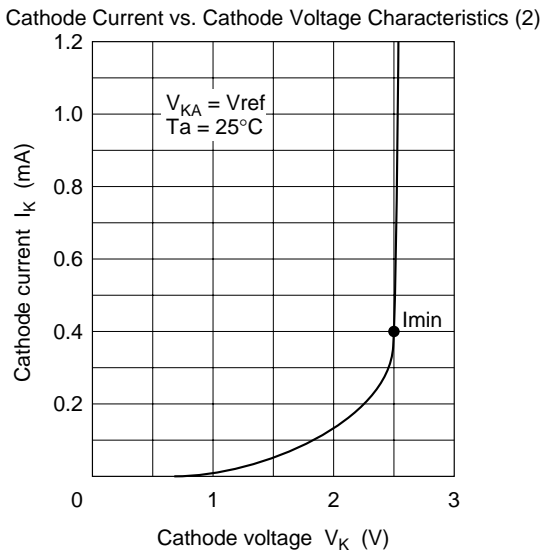
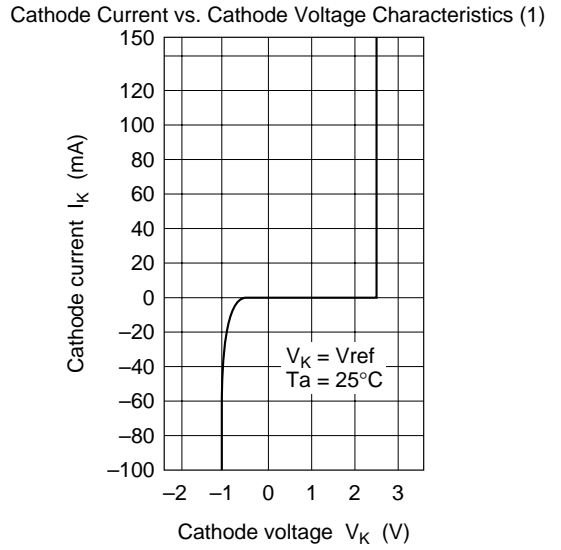
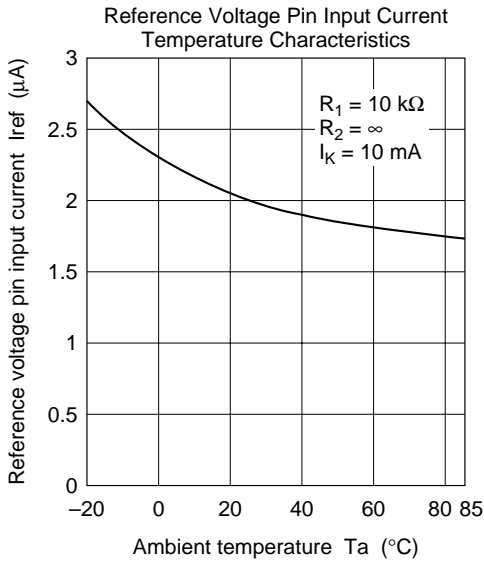
Open Loop Voltage Gain, Phase vs. Frequency Characteristics (1)  
(With no feedback capacitance)



Open Loop Voltage Gain, Phase vs. Frequency Characteristics (2)  
(When a feedback capacitance ( $C_f$ ) is provided)

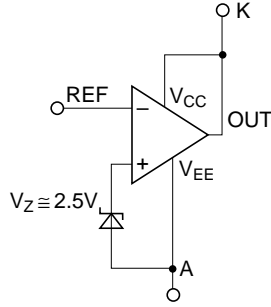






## Application Examples

As shown in the figure on the right, this IC operates as an inverting amplifier, with the REF pin as input pin. The open-loop voltage gain is given by the reciprocal of “reference voltage deviation by cathode voltage change” in the electrical specifications, and is approximately 50 to 60 dB. The REF pin has a high input impedance, with an input current  $I_{ref}$  of 3.8  $\mu\text{A}$  Typ (V version:  $I_{ref} = 2 \mu\text{A}$  Typ). The output impedance of the output pin K (cathode) is defined as dynamic impedance  $Z_{KA}$ , and  $Z_{KA}$  is low (0.2  $\Omega$ ) over a wide cathode current range. A (anode) is used at the minimum potential, such as ground.



**Figure 1 Operation Diagram**

## Application Hints

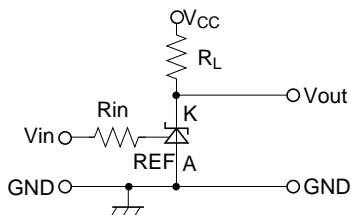
No.	Application Example	Description
1	<p>Reference voltage generation circuit</p>	<p>This is the simplest reference voltage circuit. The value of the resistance R is set so that cathode current <math>I_K \geq 1</math> mA.</p> <p>Output is fixed at <math>V_{out} \cong 2.5</math> V.</p> <p>The external capacitor <math>C_L</math> (<math>C_L \geq 3.3 \mu\text{F}</math>) is used to prevent oscillation in normal applications.</p>
2	<p>Variable output shunt regulator circuit</p>	<p>This is circuit 1 above with variable output provided.</p> <p>Here, <math>V_{out} \cong 2.5 \text{ V} \times \frac{(R_1 + R_2)}{R_2}</math></p> <p>Since the reference input current <math>I_{ref} = 3.8 \mu\text{A}</math> Typ (V version: <math>I_{ref} = 2 \mu\text{A}</math> Typ) flows through <math>R_1</math>, resistance values are chosen to allow the resultant voltage drop to be ignored.</p>

Application Hints (cont)

No. Application Example

Description

3 Single power supply inverting comparator circuit

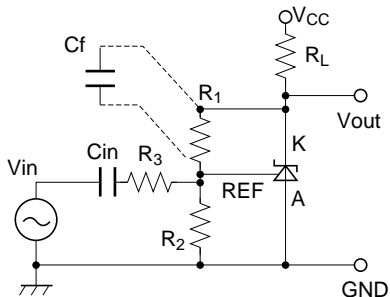


This is an inverting type comparator with an input threshold voltage of approximately 2.5 V. Rin is the REF pin protection resistance, with a value of several kΩ to several tens of kΩ.

RL is the load resistance, selected so that the cathode current  $I_K \geq 1$  mA when Vout is low.

Condition	Vin	Vout	IC
C1	Less than 2.5 V	V <sub>CC</sub> (V <sub>OH</sub> )	OFF
C2	2.5 V or more	Approx. 2 V (V <sub>OL</sub> )	ON

4 AC amplifier circuit



This is an AC amplifier with voltage gain  $G = -R_1 / (R_2/R_3)$ . The input is cut by capacitance Cin, so that the REF pin is driven by the AC input signal, centered on 2.5 V<sub>DC</sub>.

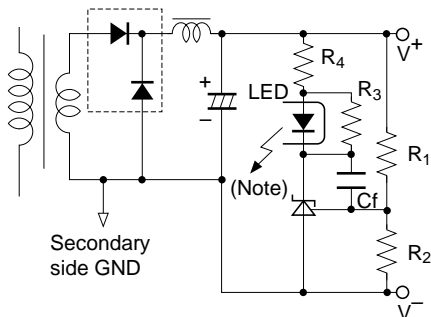
R<sub>2</sub> also functions as a resistance that determines the DC cathode potential when there is no input, but if the input level is low and there is no risk of Vout clipping to V<sub>CC</sub>, this can be omitted.

To change the frequency characteristic, Cf should be connected as indicated by the dotted line.

$$\text{Gain } G = \frac{R_1}{R_2 // R_3} \text{ (DC gain)}$$

$$\text{Cutoff frequency } f_c = \frac{1}{2\pi Cf (R_1 // R_2 // R_3)}$$

5 Switching power supply error amplification circuit



This circuit performs control on the secondary side of a transformer, and is often used with a switching power supply that employs a photocoupler for offlining.

The output voltage (between V+ and V-) is given by the following formula:

$$V_{out} \cong 2.5 \text{ V} \times \frac{(R_1 + R_2)}{R_2}$$

In this circuit, the gain with respect to the Vout error is as follows:

$$G = \frac{R_2}{(R_1 + R_2)} \times \left[ \text{HA17431 open loop gain} \right] \times \left[ \text{photocoupler total gain} \right]$$

- Note: LED : Light emitting diode in photocoupler  
 R3 : Bypass resistor to feed IK (>Imin) when LED current vanishes  
 R4 : LED protection resistance

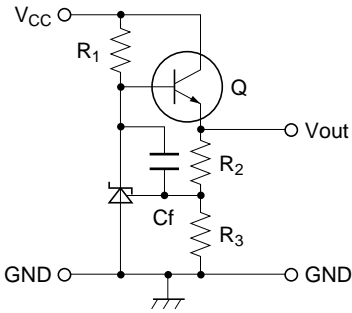
As stated earlier, the HA17431 open-loop gain is 50 to 60 dB.

## Application Hints (cont)

### No. Application Example

### Description

6 Constant voltage regulator circuit

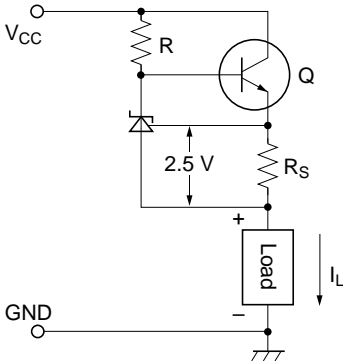


This is a 3-pin regulator with a discrete configuration, in which the output voltage

$$V_{out} = 2.5 \text{ V} \times \frac{(R_2 + R_3)}{R_3}$$

$R_1$  is a bias resistance for supplying the HA17431 cathode current and the output transistor Q base current.

7 Discharge type constant current circuit



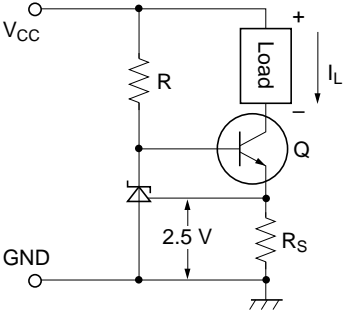
This circuit supplies a constant current of

$$I_L \cong \frac{2.5 \text{ V}}{R_S} \text{ [A]} \text{ into the load. Caution is required}$$

since the HA17431 cathode current is also superimposed on  $I_L$ .

The requirement in this circuit is that the cathode current must be greater than  $I_{min} = 1 \text{ mA}$ . The  $I_L$  setting therefore must be on the order of several mA or more.

8 Induction type constant current circuit



In this circuit, the load is connected on the collector side of transistor Q in circuit 7 above. In this case, the load floats from GND, but the HA17431 cathode current is not superimposed on  $I_L$ , so that  $I_L$  can be kept small (1 mA or less is possible). The constant current value is the same as for circuit 7 above:

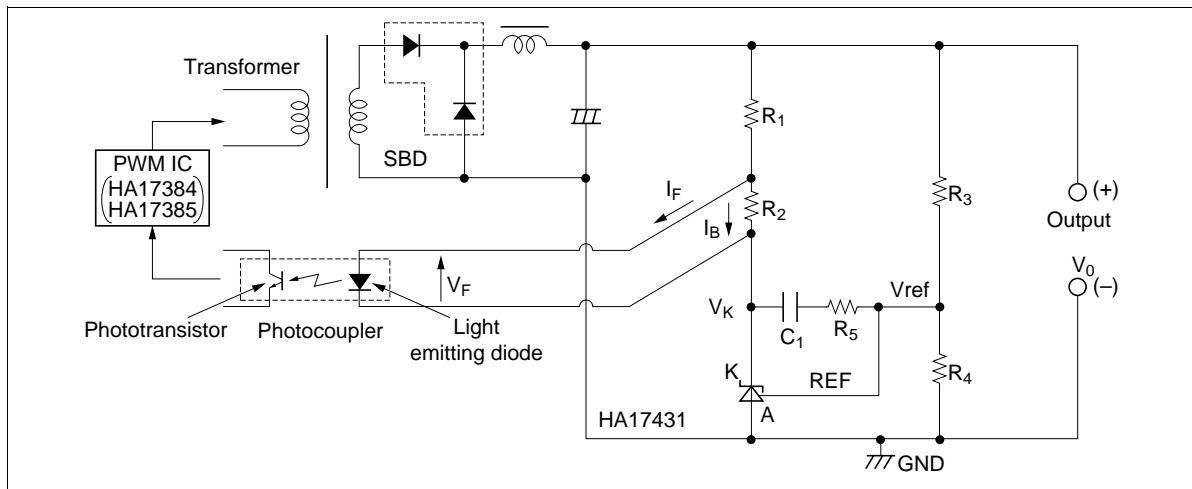
$$I_L \cong \frac{2.5 \text{ V}}{R_S} \text{ [A]}$$



**Design Guide for AC-DC SMPS (Switching Mode Power Supply)**

**Use of Shunt Regulator in Transformer Secondary Side Control**

This example is applicable to both forward transformers and flyback transformers. A shunt regulator is used on the secondary side as an error amplifier, and feedback to the primary side is provided via a photocoupler.



**Figure 2 Typical Shunt Regulator/Error Amplifier**

**Determination of External Constants for the Shunt Regulator**

**DC characteristic determination:** In figure 2,  $R_1$  and  $R_2$  are protection resistor for the light emitting diode in the photocoupler, and  $R_2$  is a bypass resistor to feed  $I_K$  minimum, and these are determined as shown below. The photocoupler specification should be obtained separately from the manufacturer. Using the parameters in figure 2, the following formulas are obtained:

$$R_1 = \frac{V_0 - V_F - V_K}{I_F + I_B}, R_2 = \frac{V_F}{I_B}$$

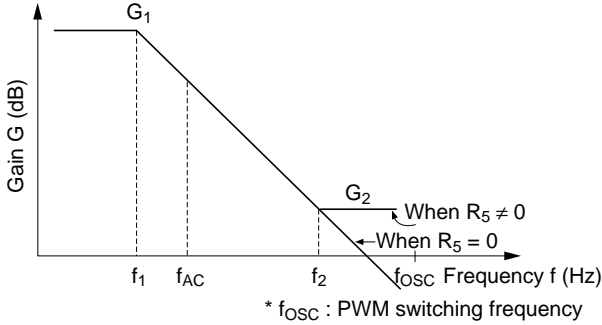
$V_K$  is the HA17431 operating voltage, and is set at around 3 V, taking into account a margin for fluctuation.  $R_2$  is the current shunt resistance for the light emitting diode, in which a bias current  $I_B$  of around 1/5  $I_F$  flows.

Next, the output voltage can be determined by  $R_3$  and  $R_4$ , and the following formula is obtained:

$$V_0 = \frac{R_3 + R_4}{R_4} \times V_{ref}, V_{ref} = 2.5 \text{ V Typ}$$

The absolute values of  $R_3$  and  $R_4$  are determined by the HA17431 reference input current  $I_{ref}$  and the AC characteristics described in the next section. The  $I_{ref}$  value is around 3.8  $\mu\text{A}$  Typ. (V version: 2  $\mu\text{A}$  Typ)

**AC characteristic determination:** This refers to the determination of the gain frequency characteristic of the shunt regulator as an error amplifier. Taking the configuration in figure 2, the error amplifier characteristic is as shown in figure 3.



**Figure 3 HA17431 Error Amplification Characteristic**

In Figure 3, the following formulas are obtained:

Gain

$$G_1 = G_0 \approx 50 \text{ dB to } 60 \text{ dB (determined by shunt regulator)}$$

$$G_2 = \frac{R_5}{R_3}$$

Corner frequencies

$$f_1 = 1/(2\pi C_1 G_0 R_3)$$

$$f_2 = 1/(2\pi C_1 R_5)$$

$G_0$  is the shunt regulator open-loop gain; this is given by the reciprocal of the reference voltage fluctuation  $\Delta V_{ref}/\Delta V_{KA}$ , and is approximately 50 dB.

**Practical Example**

Consider the example of a photocoupler, with an internal light emitting diode  $V_F = 1.05 \text{ V}$  and  $I_F = 2.5 \text{ mA}$ , power supply output voltage  $V_2 = 5 \text{ V}$ , and bias resistance  $R_2$  current of approximately  $1/5 I_F$  at  $0.5 \text{ mA}$ . If the shunt regulator  $V_K = 3 \text{ V}$ , the following values are found.

$$R_1 = \frac{5\text{V} - 1.05\text{V} - 3\text{V}}{2.5\text{mA} + 0.5\text{mA}} = 316(\Omega) \text{ (330}\Omega \text{ from E24 series)}$$

$$R_2 = \frac{1.05\text{V}}{0.5\text{mA}} = 2.1(\text{k}\Omega) \text{ (2.2k}\Omega \text{ from E24 series)}$$

Next, assume that  $R_3 = R_4 = 10 \text{ k}\Omega$ . This gives a  $5 \text{ V}$  output. If  $R_5 = 3.3 \text{ k}\Omega$  and  $C_1 = 0.022 \text{ }\mu\text{F}$ , the following values are found.

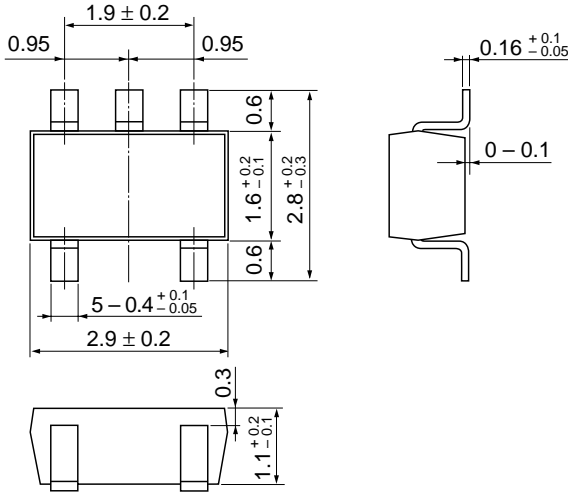
$$G_2 = 3.3 \text{ k}\Omega / 10 \text{ k}\Omega = 0.33 \text{ times } (-10 \text{ dB})$$

$$f_1 = 1 / (2 \times \pi \times 0.022 \text{ }\mu\text{F} \times 316 \times 10 \text{ k}\Omega) = 2.3 \text{ (Hz)}$$

$$f_2 = 1 / (2 \times \pi \times 0.022 \text{ }\mu\text{F} \times 3.3 \text{ k}\Omega) = 2.2 \text{ (kHz)}$$

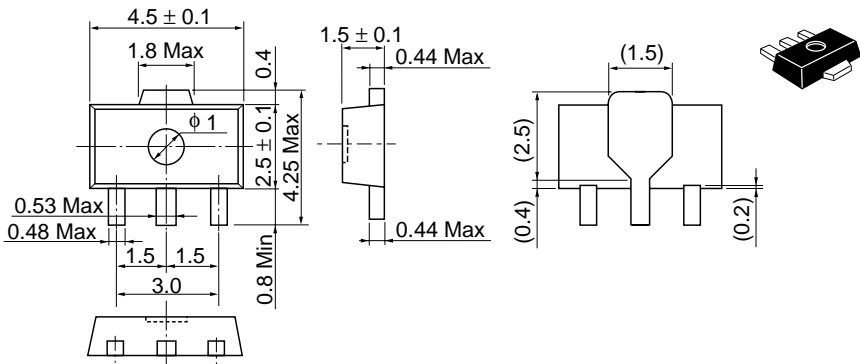
## Package Dimensions

Unit: mm



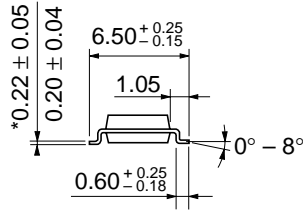
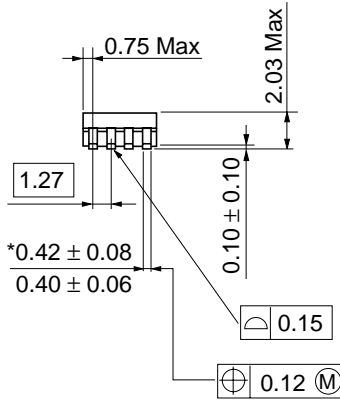
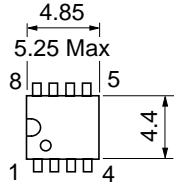
Hitachi Code	MPAK-5
JEDEC	—
EIAJ	—
Mass (reference value)	0.015 g

Unit: mm



Hitachi Code	UPAK
JEDEC	—
EIAJ	Conforms
Mass (reference value)	0.050 g

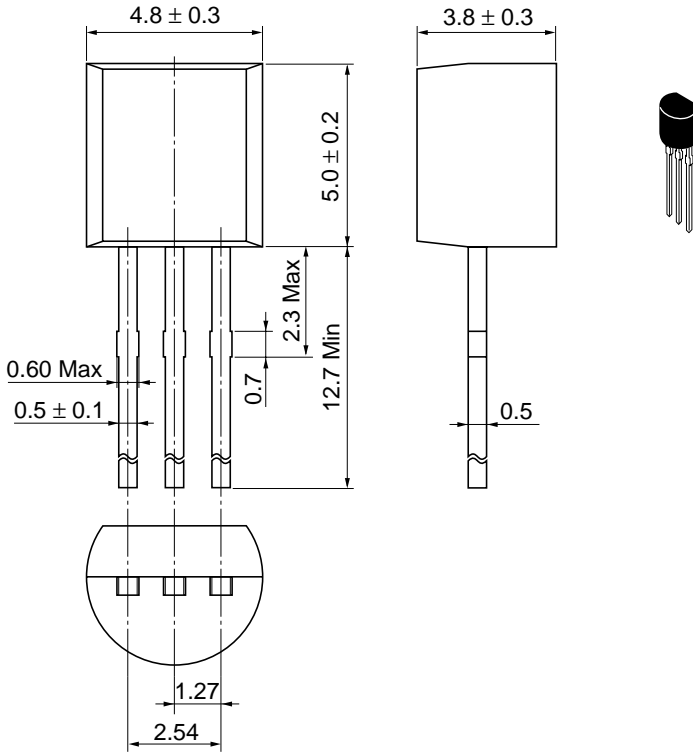
Unit: mm



\*Dimension including the plating thickness  
Base material dimension

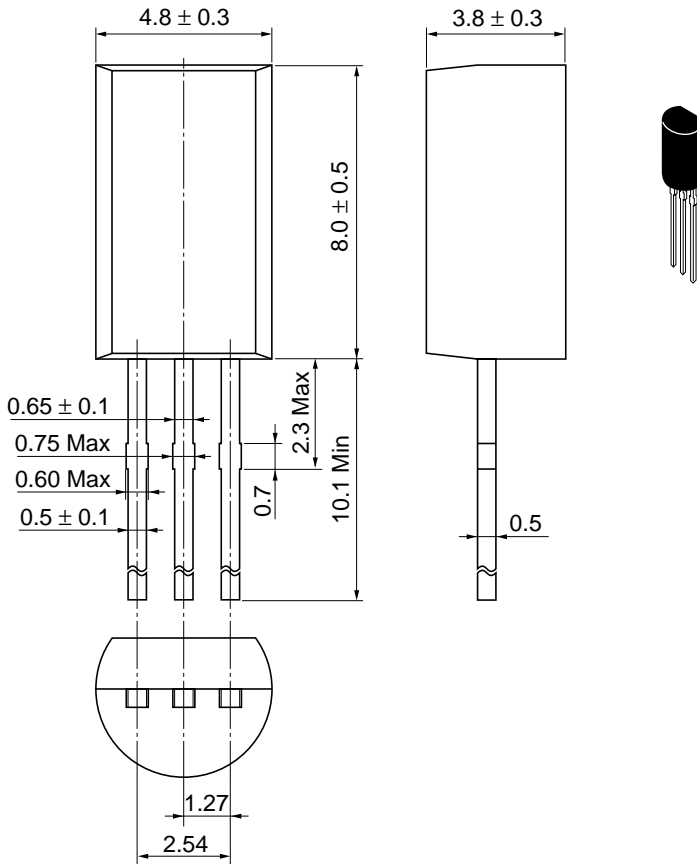
Hitachi Code	FP-8D
JEDEC	—
EIAJ	Conforms
Mass (reference value)	0.10 g

Unit: mm



Hitachi Code	TO-92 (1)
JEDEC	Conforms
EIAJ	Conforms
Mass (reference value)	0.25 g

Unit: mm



Hitachi Code	TO-92 Mod
JEDEC	—
EIAJ	Conforms
Mass (reference value)	0.35 g

## Cautions

1. Hitachi neither warrants nor grants licenses of any rights of Hitachi's or any third party's patent, copyright, trademark, or other intellectual property rights for information contained in this document. Hitachi bears no responsibility for problems that may arise with third party's rights, including intellectual property rights, in connection with use of the information contained in this document.
2. Products and product specifications may be subject to change without notice. Confirm that you have received the latest product standards or specifications before final design, purchase or use.
3. Hitachi makes every attempt to ensure that its products are of high quality and reliability. However, contact Hitachi's sales office before using the product in an application that demands especially high quality and reliability or where its failure or malfunction may directly threaten human life or cause risk of bodily injury, such as aerospace, aeronautics, nuclear power, combustion control, transportation, traffic, safety equipment or medical equipment for life support.
4. Design your application so that the product is used within the ranges guaranteed by Hitachi particularly for maximum rating, operating supply voltage range, heat radiation characteristics, installation conditions and other characteristics. Hitachi bears no responsibility for failure or damage when used beyond the guaranteed ranges. Even within the guaranteed ranges, consider normally foreseeable failure rates or failure modes in semiconductor devices and employ systemic measures such as fail-safes, so that the equipment incorporating Hitachi product does not cause bodily injury, fire or other consequential damage due to operation of the Hitachi product.
5. This product is not designed to be radiation resistant.
6. No one is permitted to reproduce or duplicate, in any form, the whole or part of this document without written approval from Hitachi.
7. Contact Hitachi's sales office for any questions regarding this document or Hitachi semiconductor products.

# HITACHI

## Hitachi, Ltd.

Semiconductor & Integrated Circuits.  
Nippon Bldg., 2-6-2, Ohte-machi, Chiyoda-ku, Tokyo 100-0004, Japan  
Tel: Tokyo (03) 3270-2111 Fax: (03) 3270-5109

URL      North America      : <http://semiconductor.hitachi.com/>  
             Europe                 : <http://www.hitachi-eu.com/hel/ecg>  
             Asia                         : <http://sicapac.hitachi-asia.com>  
             Japan                        : <http://www.hitachi.co.jp/Sicd/indx.htm>

## For further information write to:

Hitachi Semiconductor  
(America) Inc.  
179 East Tasman Drive,  
San Jose, CA 95134  
Tel: <1> (408) 433-1990  
Fax: <1> (408) 433-0223

Hitachi Europe GmbH  
Electronic Components Group  
Dornacher Straße 3  
D-85622 Feldkirchen, Munich  
Germany  
Tel: <49> (89) 9 9180-0  
Fax: <49> (89) 9 29 30 00

Hitachi Europe Ltd.  
Electronic Components Group.  
Whitebrook Park  
Lower Cookham Road  
Maidenhead  
Berkshire SL6 8YA, United Kingdom  
Tel: <44> (1628) 585000  
Fax: <44> (1628) 585160

Hitachi Asia Ltd.  
Hitachi Tower  
16 Collyer Quay #20-00,  
Singapore 049318  
Tel: <65>-538-6533/538-8577  
Fax : <65>-538-6933/538-3877  
URL : <http://www.hitachi.com.sg>

Hitachi Asia Ltd.  
(Taipei Branch Office)  
4/F, No. 167, Tun Hwa North Road,  
Hung-Kuo Building,  
Taipei (105), Taiwan  
Tel: <886>-(2)-2718-3666  
Fax : <886>-(2)-2718-8180  
Telex : 23222 HAS-TP  
URL : <http://www.hitachi.com.tw>

Hitachi Asia (Hong Kong) Ltd.  
Group III (Electronic Components)  
7/F., North Tower,  
World Finance Centre,  
Harbour City, Canton Road  
Tsim Sha Tsui, Kowloon,  
Hong Kong  
Tel : <852>-(2)-735-9218  
Fax : <852>-(2)-730-0281  
URL : <http://www.hitachi.com.hk>

Copyright © Hitachi, Ltd., 2000. All rights reserved. Printed in Japan.  
Colophon 2.0

# HITACHI