

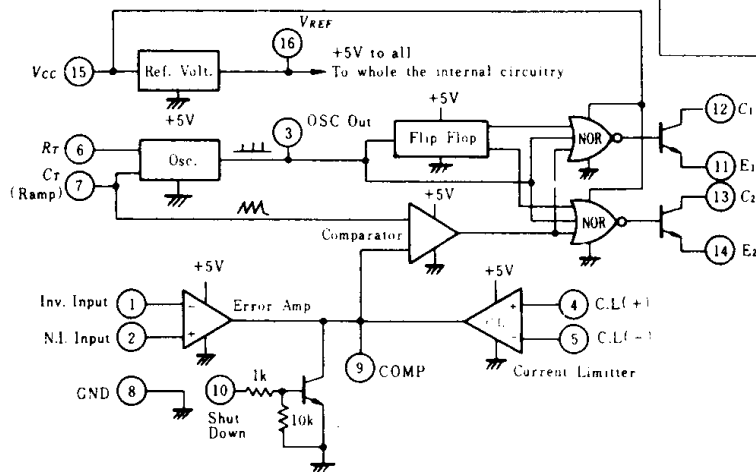
HA17524 Series

Switching Regulator Controller

FEATURES

- Pulse Width Modulation (PWM)
- Wide Oscillation Frequency Range 450kHz (typ)
- Low Quiescent Current 5mA typ
- Good Line Regulation (0.2% typ) and Load Regulation (0.4% typ)
- Provides independent output stage of 2 channels. Wide external circuit application including single end method and push-pull method.
- Reference Power Source Output Stage and Switching Output Stage include current limiting protection circuit.
- Compatible with SG3524

BLOCK DIAGRAM



ABSOLUTE MAXIMUM RATINGS:

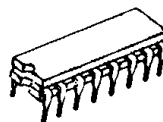
(Unless otherwise specified, $T_a = +25^\circ\text{C}$)

Item	Symbol	Rating	Unit	Note No
Supply Voltage	V_{CC}	40	V	1,2
Collector Output Current	I_c	100	mA	
Reference Output Current	I_{REF}	50	mA	
Current through C_r Terminal	I_{r}	5	mA	
Continuous Total Power Dissipation	P_T	600	mW	3
Operating Free-Air Temperature Range	T_{op}	-20 to +75	$^\circ\text{C}$	
Storage Temperature Range	Cerdip	-65 to +150	$^\circ\text{C}$	
	Plastic	-55 to +125		

The absolute maximum ratings are limiting values, to be applied individually, beyond which the device may be permanently damaged. Functional operation under any of these conditions is not guaranteed. Exposing a circuit to its absolute maximum rating for extended periods of time may affect the device's reliability.

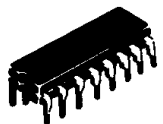
- Note
1. With respect to network ground terminal.
 2. The reference voltage can be given by connecting the V_{CC} and 5V reference output pins both to the Supply Voltage. In this configuration, $V_{CC} = 6V_{max}$.
 3. HA17524P: Value at $T_a \leq 52.7^\circ\text{C}$. In case of more than it, 8.3mW/ $^\circ\text{C}$ derating shall be performed.
HA17524G: Value at $T_a \leq 71^\circ\text{C}$. In case of more than it, 7.6mW/ $^\circ\text{C}$ derating shall be performed.

HA17524G



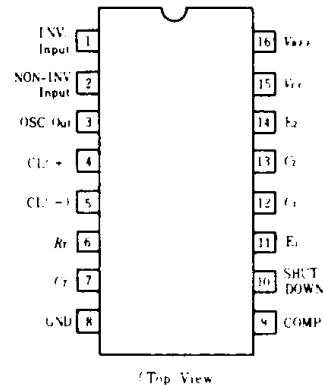
(DG-16)

HA17524P



(DP-16)

PIN ARRANGEMENT



Dissipation Derating Table

Package	Power Rating	Derating Factor	Above T_a
P	600mW	8.3mW/ $^\circ\text{C}$	52.7 $^\circ\text{C}$
G	600mW	7.6mW/ $^\circ\text{C}$	71 $^\circ\text{C}$



■ ELECTRICAL CHARACTERISTICS ($V_{CC}=20V$, $f=20kHz$, $T_a=25^\circ C$)

Item		Symbol	Test Conditions	min	typ	max	Unit
Regulator	Output Voltage	V_{REF}		4.6	5.0	5.4	V
	Input Regulation	$\delta V_{O_{load}}$	$V_{CC}=8$ to $40V$	—	10	30	mV
	Ripple Rejection	R_{RRJ}	$f=120Hz$	—	66	—	dB
	Output Regulation	$\delta V_{O_{load}}$	$I_{out}=0$ to $20mA$	—	20	50	mV
	Output Voltage Change With Output Temperature	$\delta V_{O}/\delta T_a$	$T_a=0$ to $+70^\circ C$	—	0.3	1.0	%
			$T_a=-20$ to $+75^\circ C$	—	0.4	1.36	%
Short-Circuit* Output Current	I_{OS}	$V_{REF}=0$	—	100	—	mA	
Error Amplifier	Input Offset Voltage	V_{IO}	$V_{IC}=2.5V$	—	2	10	mV
	Input Bias Current	I_I	$V_{IC}=2.5V$	—	2	10	μA
	Open-Loop Voltage Gain	A_{VD}		—	60	—	dB
	Common-Mode Input Voltage Range	V_{CM}	$T_a=25^\circ C$	1.8 to 3.4	—	—	V
	Common-Mode Rejection Ratio	CMR		—	70	—	dB
	Unity-Gain Bandwidth	BW		—	3	—	MHz
	Output Swing	V_{OPP}		0.5	—	3.8	V
Oscillator	OSC. Frequency	f	$C_T=0.001\mu F$, $R_T=2k\Omega$	—	450	—	kHz
	Standard Deviation of Frequency	Δf	$V_{CC}=8$ to $40V$, $R_T=1.8$ to $100k\Omega$ $C=Const$	—	5	—	%
	Frequency Change with Temperature	$\delta f/f_{osc}$	$V_{CC}=8$ to $40V$	—	—	1.0	%
			$T_a=0$ to $+70^\circ C$	—	5.0	10	%
			$T_a=-20$ to $+75^\circ C$	—	5.0	13.6	%
	Output Amplitude	$V_{I_{peak}}$	$3I_{in}$	—	3.5	—	V
Output Pulse Width	T_P	$C_T=0.01\mu F$, $3I_{in}$	—	0.5	—	μs	
Comparator	Maximum Duty Cycle	D_{max}		45	—	—	%
	Input Threshold Voltage	V_{IS0}	duty = 0	—	1.0	—	V
		V_{ISmax}	duty = max	—	3.5	—	V
	Input Bias Current	I_I		—	-1	—	μA
Current Limiter	Input Voltage Range	V_{IS}		-0.7 to +1.0	—	—	V
	Sense Voltage	V_S	$V(Pin9)=2V$, $T_a=25^\circ C$ $V(Pin2)-V(Pin1)\approx 50mV$	180	200	220	mV
	Sense Voltage Change with Temperature	$\delta V_S/\delta T_a$	$T_a=-20$ to $+75^\circ C$	—	0.2	—	mV/ $^\circ C$
Output	Collector-Emitter Breakdown Voltage	V_{CE}		40	—	—	V
	Collector Off-State Current	$I_{I_{max}}$	$V_{CE}=40V$	—	0.01	50	μA
	Collector-Emitter Saturation Voltage	$V_{CE(sat)}$	$I_C=20mA$	—	1	2	V
	Emitter Output Voltage	V_E	$V_{IC}=20V$, $I_I=-250\mu A$	17	18	—	V
	Turn-off Voltage Rise Time	t_r	$R_C=2k\Omega$	—	0.2	—	μs
	Turn-on Voltage Fall Time	t_f		—	0.1	—	μs
Total Device	Standby Current	I_{ST}	$V_{CC}=40V$, $V_2=2V$, Pins 1,4,7,8,9,11,14, grounded All other pins open.	—	5.0	10	mA

Note) *Duration of the short-circuit should not exceed one second.

APPLICATION NOTE

- Principal in HA17524 Operation

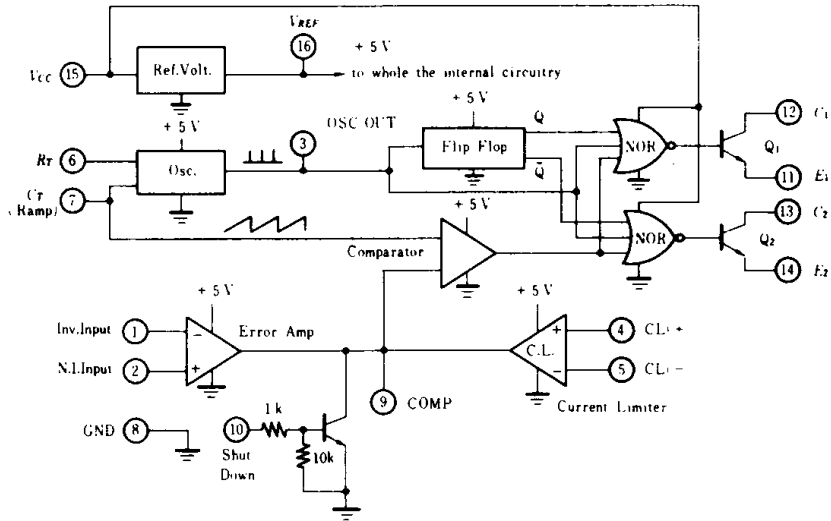


Fig. 1 HA17524 Block Diagram

HA17524 is a switching regulator circuit using Pulsewidth Modulating Method (P.W.M) constructed by the block shown in Fig. 1.

Timing resistance, \$R_T\$ and timing capacitance, \$C_T\$ control the oscillating frequency and the \$C_T\$ is charged by a constant current generated by the \$R_T\$. Lump signals (saw-teeth wave) at \$C_T\$ terminal generated in this oscillator is available for reference input signal to comparators which control the pulse-width.

Commonly connected outputs from the error-amplifier, the current limiter and the shut-down circuit is provided to the comparator, which enable to break output stage by input signal in any one of those circuits.

● Blocks Description

Oscillator; The oscillating frequency \$f\$ is calculated from the following equations. Fig. 3 shows one example.

$$f \approx 1.15 / (R_T \cdot C_T)$$

$$R_T = 1.8k\Omega \text{ to } 100k\Omega$$

$$C_T = 0.001 \text{ to } 0.1\mu F$$

$$f = 140\text{Hz to } 500\text{kHz}$$

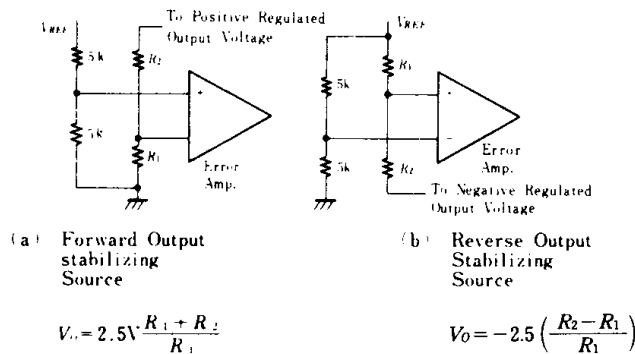


Fig. 2 Biasing in Error-Amplifier

As shown in Fig. 2 the reference voltage connects to non-inverted on inverted input terminal of error-amplifier via resistance divider.

The output voltage from the error-amplifier is compared with the lump signal of the Timing Capacitance \$C_T\$, as shown in Fig. 1 and comparator can provide a signal with modulated pulse width.

This signal, then, control output transistors \$Q_1\$ and \$Q_2\$, making an open loop to stabilize output voltage.

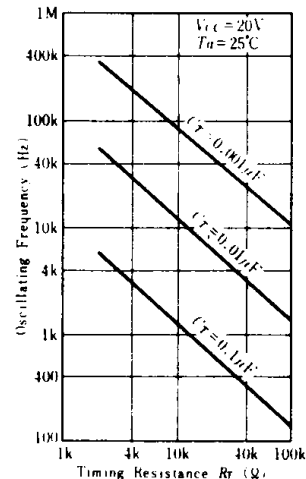


Fig. 3 Oscillating Frequency vs Timing Resistance

Then the lump wave shown in Fig. 4 is available at pin 7, C_T Terminal since the C_T is charged by the constant current I generated by the R_T .

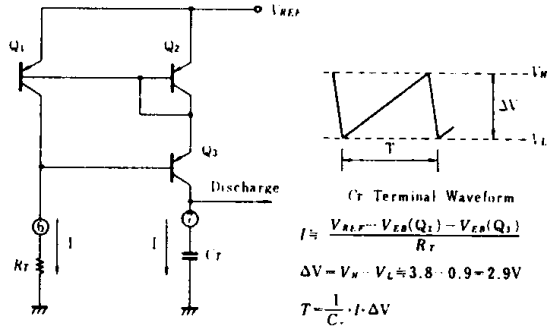


Fig. 4 Oscillating Circuit and C_T Terminal Waveform

The output pulse signal at oscillator is used as elements in Flip-flop circuit and (a synchronous signal of clock-pulse) switching. The pulse-width which can be controlled by the timing capacitor C_T as shown in Fig. 5 provides function to gain a dead time of output.

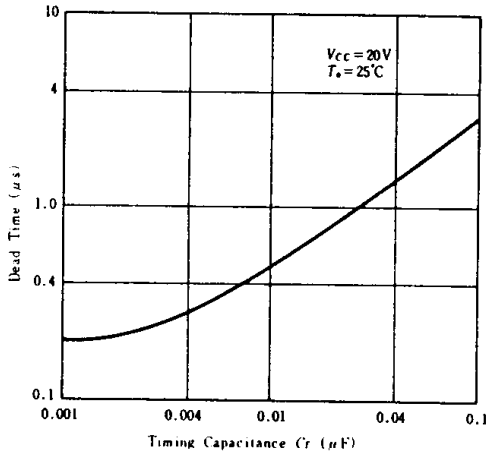


Fig. 5 Dead Time vs Timing Capacitance

Reference Voltage: The regulator (reference voltage: $V_{REF} = 5 \pm 0.4V$) is built in Integrated Circuit. It can be used as reference power supply of error amplifier which determines Output Voltage Output (V_{OUT}). And also, it is connected as bias source of another circuit in IC.

Error Amplifier: Biasing in error amplifier is shown in the Fig. 2. Input Applied Voltage is required to be set within the range of common-mode Input Voltage (1.8V to 3.4V). If resistor and capacitor are inserted between phase compensation terminal (Pin 9) and GND in series, phase compensation is available.

Current Limiter: Threshold Voltage (V_S) of sense amplifier for current limiter is calculated as follows;

$$\begin{aligned} V_S &= V_{BE}(Q_1) + I_1 R_2 - V_{BE}(Q_2) \\ &= I_1 R_2 \\ &= 200mV \text{ typ.} \end{aligned}$$

At Current limiter Sense Amp shown in the Fig. 6, when $V_+ - V_- \geq 200mV$, Q_1 turns "ON", Phase compensation terminal becomes low level and Output Switching element is cut off.

Fig. 7 shows an example of detecting current limit. As the range of Input Voltage is $-0.7V$ to $+1.0V$; detection output of current limit is provided from GND Line.

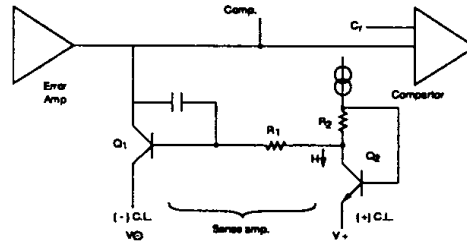
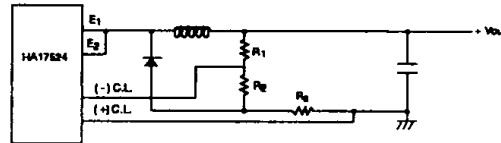


Fig. 7 An Example of detecting current limit



$$\begin{aligned} I_{O,max} &= \frac{1}{R_S} \left(V_{sense} + \frac{V_n R_2}{R_1 + R_2} \right) \\ I_{O,S} &= \frac{V_{sense}}{R_S} \\ V_{sense} &= 200mV \end{aligned}$$

● **Operating waveform at every part**

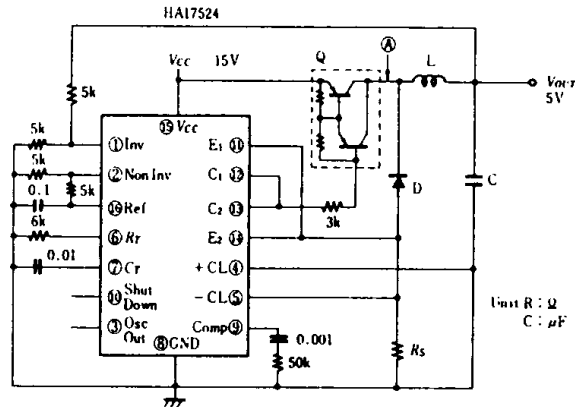
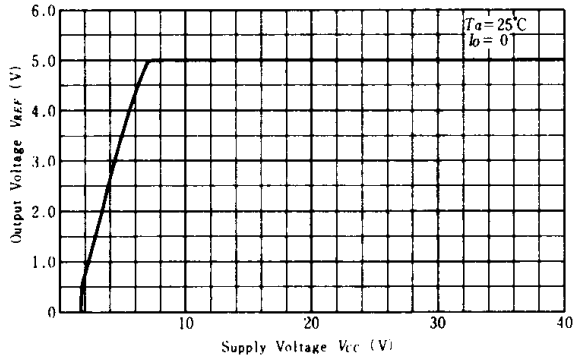
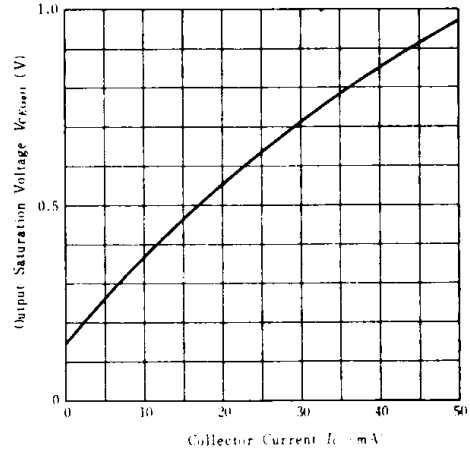


Fig. 8 Breakdown Voltage types Chopper Switching Regulator

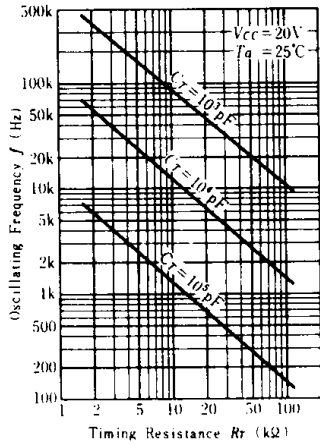
OUTPUT VOLTAGE VS. SUPPLY VOLTAGE



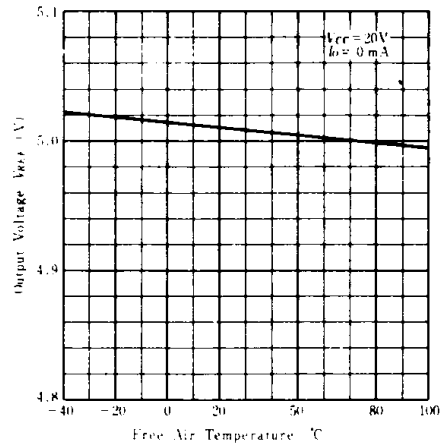
OUTPUT SATURATION VOLTAGE VS. COLLECTOR CURRENT



OSCILLATING FREQUENCY VS. TIMING RESISTANCE



OUTPUT VOLTAGE VS. FREE AIR TEMPERATURE



DEAD TIME VS. TIMING CAPACITANCE

