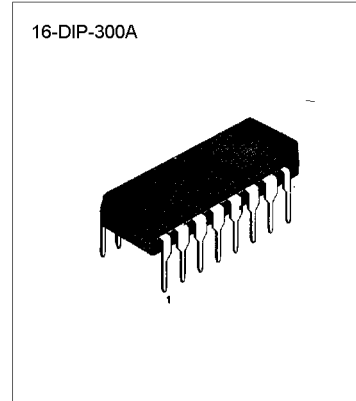


INTRODUCTION

The KA22261 is a monolithic integrated circuit consisting of a dual equalizer amplifier with REC AMP, and it is suitable for stereo radio cassettes.

FEATURES

- Dual equalizer amplifier with ALC circuit.
- High open loop voltage gain : 78dB (Typ).
- Recording amplifier available because of high open loop voltage gain.
- Not necessary diode or transistor for ALC.
- Good channel separation : 60dB (Typ).
- Good ALC response balance between channels.
- Wide operating supply voltage range : $V_{CC} = 6V \sim 15V$.



ORDERING INFORMATION

Device	Package	Operating Temperature
KA22261	16-DIP-300A	-20°C ~ +70°C

BLOCK DIAGRAM

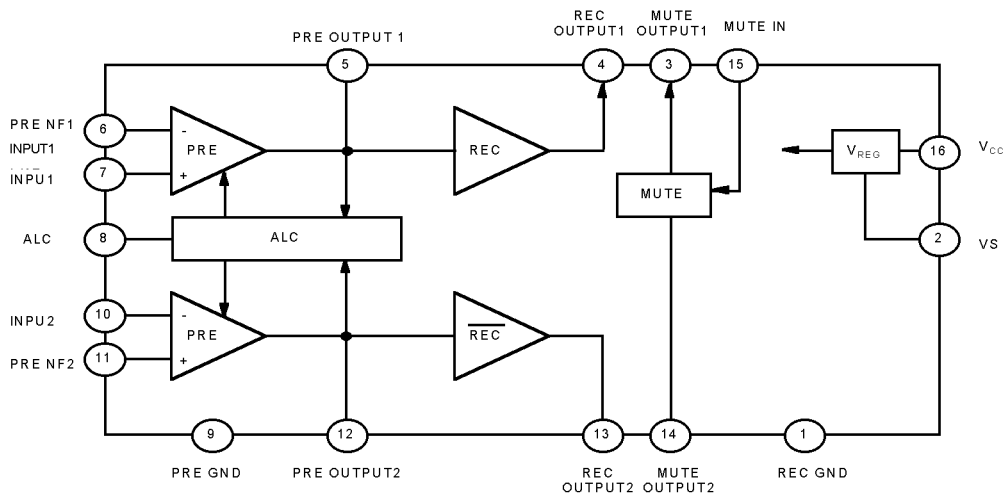


Fig 1.

ABSOLUTE MAXIMUM RATINGS (Ta = 25°C)

Characteristics	Symbol	Value	Unit
Supply Voltage	V _{CC}	16	V
Power Dissipation	P _D	750	W
Operating Temperature	T _{OPR}	-20 ~ +70	°C
Storage Temperature	T _{STG}	-40 ~ +150	°C

ELECTRICAL CHARACTERISTICS

 (Ta = 25°C, V_{CC} = 9V, f = 1KHz, unless otherwise specified)

Characteristics		Symbol	Test Condition	Min	Typ	Max	Unit
Quiescent Circuit Current		I _{CCQ}	V _I = 0		8.5	10.5	mA
PRE AMP	Open Loop Voltage Gain	G _{VO}	V _I = -80dbm	65	78		dB
	Output Voltage	V _{O1}	THD = 1%	0.5	0.8		V
	Total Harmonic Distortion	THD ₁	V _O = 0.2V		0.15	0.5	%
	Output Noise Voltage	V _{NO}	R _G = 2.2KΩ, NAB BW(-3dB) = 30Ha ~ 20KHz		0.26	0.6	mW
	Cross Talk	CT	R _G = 2.2KΩ	47	60		dB
REC AMP	Closed Loop Voltage Gain	G _{VC}	R _L = 10KΩ	12.7	14.7	16.7	dB
	Output Voltage	V _{O2}	THD = 1%	2.0	2.5		V
	Total Harmonic Distortion	THD ₂	V _O = 1.5V		0.3	1.0	%
	ALC Range (Note 1)	ΔV _{ALC}	V _I = -60dB, R _G = 2.2KΩ		45		dB
	ALC Distortion	THD _{ALC}	V _I = -20dBm, R _G = 2.2KΩ		0.3	1.0	V
	ALC Voltage	V _{O(ALC)}	V _I = -20dBm, R _G = 2.2KΩ	0.9	1.1	1.42	%
Muting Attenuation		ATT _{MUTE}		45	55		dB
ALC Balance		CB _{ALC}	V _I = -20dBm		0	2	dB

 *Note 1 : Input voltage range from V_I = -60dB to output voltage V_O = 3dB up.

TEST CIRCUIT

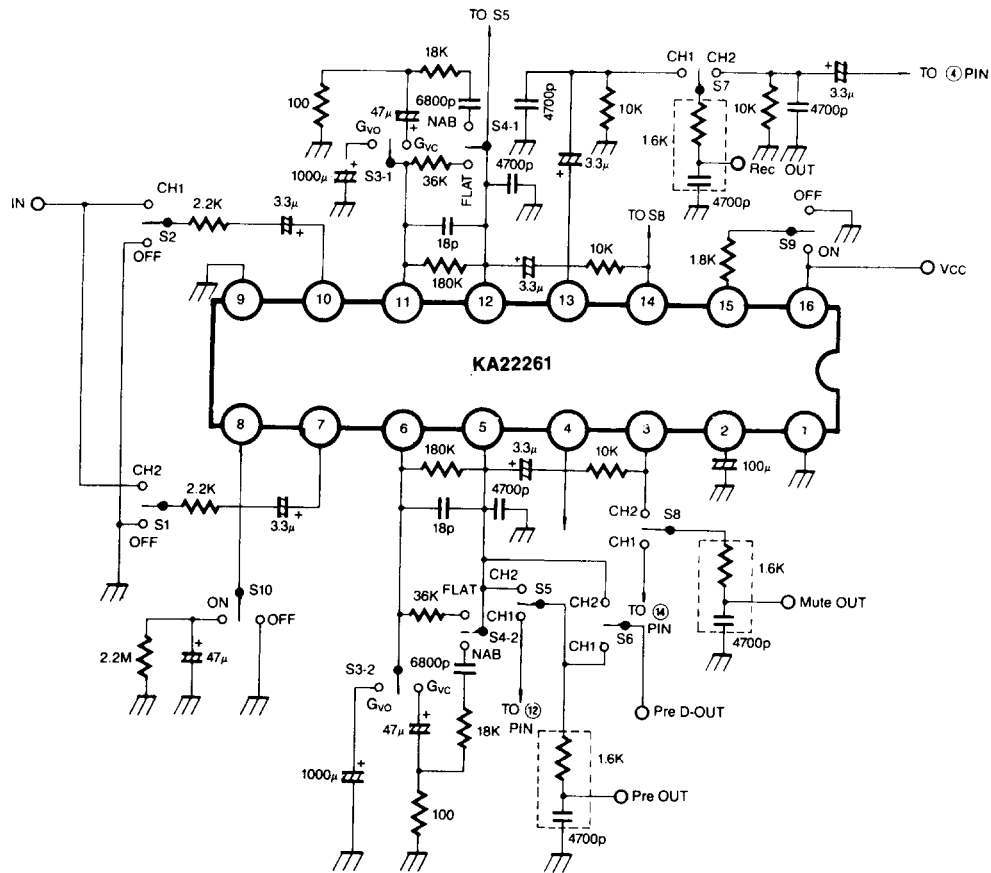


Fig. 2

