

AN78Lxx/AN78LxxM Series

3-pin positive output voltage regulator (100 mA type)

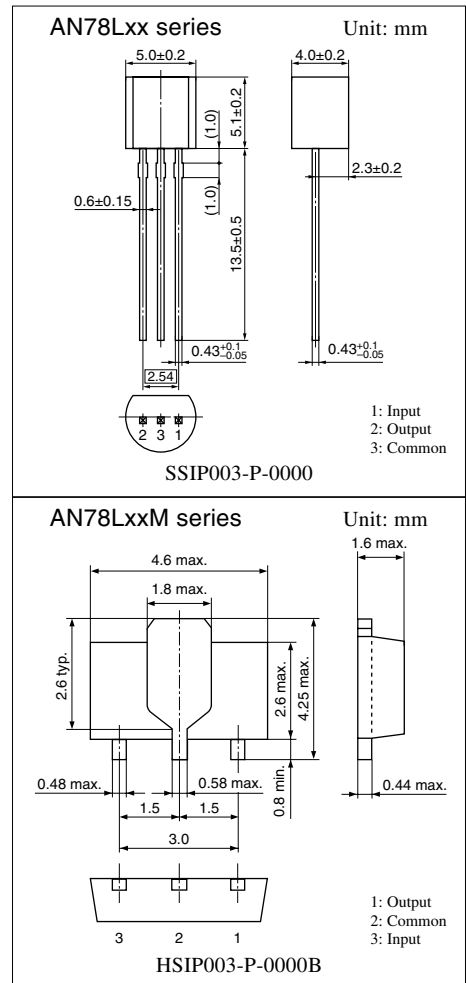
■ Overview

The AN78Lxx series and the AN78LxxM series are 3-pin fixed positive output type monolithic voltage regulator.

A stabilized fixed output voltage is obtained from an unstable DC input voltage without using any external parts. 12 types of fixed output voltage are available; 4V, 5V, 6V, 7V, 8V, 9V, 10V, 12V, 15V, 18V, 20V and 24V. They can be used widely as power circuits with a current capacity of up to 100mA.

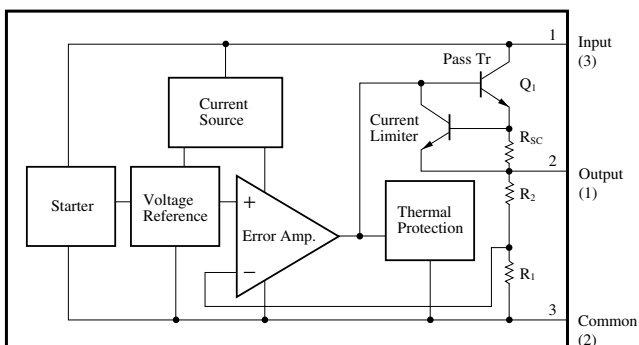
■ Features

- No external components
- Output voltage: 4V, 5V, 6V, 7V, 8V, 9V, 10V, 12V, 15V, 18V, 20V, 24V
- Built-in overcurrent limit circuit
- Built-in thermal overload protection circuit



Note) The packages (SSIP003-P-0000 and HSIP003-P-0000B) of this product will be changed to lead-free type (SSIP003-P-0000S and HSIP003-P-0000Q). See the new package dimensions section later of this datasheet.

■ Block Diagram (AN78Lxx series)



Note) The number in () shows the pin number for the AN78LxxM series.

■ Absolute Maximum Ratings at $T_a = 25^\circ\text{C}$

Parameter		Symbol	Rating	Unit
Input voltage		V_I	35 *1	V
			40 *2	V
Power dissipation		P_D	650 *3	mW
Operating ambient temperature		T_{opr}	-30 to +80	$^\circ\text{C}$
Storage temperature	AN78Lxx series	T_{stg}	-55 to +150	$^\circ\text{C}$
	AN78LxxM series		-55 to +125	

*1 AN78L04/M, AN78L05/M, AN78L06/M, AN78L07/M, AN78L08/M, AN78L09/M, AN78L10/M, AN78L12/M, AN78L15/M

*2 AN78L18/M, AN78L20/M, AN78L24/M

*3 Follow the derating curve. When T_j exceeds 150°C , the internal circuit cuts off the output.

AN78LxxM series is mounted on a standard board (glass epoxy: 20mm × 20mm × t1.7mm with Cu foil of 1cm² or more).

■ Electrical Characteristics at $T_a = 25^\circ\text{C}$

• AN78L04, AN78L04M (4V type)

Parameter	Symbol	Conditions	Min	Typ	Max	Unit
Output voltage	V_O	$T_j = 25^\circ\text{C}$	3.84	4	4.16	V
Output voltage tolerance	V_O	$V_I = 6.5$ to 19V, $I_O = 1$ to 70mA	3.8	—	4.2	V
Line regulation	REG_{IN}	$V_I = 6.5$ to 19V, $T_j = 25^\circ\text{C}$	—	50	145	mV
		$V_I = 7$ to 19V, $T_j = 25^\circ\text{C}$	—	40	95	mV
Load regulation	REG_L	$I_O = 1$ to 100mA, $T_j = 25^\circ\text{C}$	—	10	55	mV
		$I_O = 1$ to 40mA, $T_j = 25^\circ\text{C}$	—	4.5	30	mV
Bias current	I_{Bias}	$T_j = 25^\circ\text{C}$	—	2	3	mA
Bias current fluctuation to input	$\Delta I_{Bias(IN)}$	$V_I = 7$ to 19V, $T_j = 25^\circ\text{C}$	—	—	1	mA
Bias current fluctuation to load	$\Delta I_{Bias(L)}$	$I_O = 1$ to 40mA, $T_j = 25^\circ\text{C}$	—	—	0.1	mA
Output noise voltage	V_{no}	$f = 10\text{Hz}$ to 100kHz	—	40	—	μV
Ripple rejection ratio	RR	$V_I = 7$ to 17V, $I_O = 40\text{mA}$, $f = 120\text{Hz}$	48	58	—	dB
Minimum input/output voltage difference	$V_{DIF(min)}$	$T_j = 25^\circ\text{C}$	—	1.7	—	V
Output short-circuit current	$I_{O(Short)}$	$T_j = 25^\circ\text{C}$, $V_I = 35\text{V}$	—	140	—	mA
Output voltage temperature coefficient	$\Delta V_O/T_a$	$I_O = 5\text{mA}$, $T_j = 0$ to 125°C	—	-0.6	—	mV/ $^\circ\text{C}$

Note 1) The specified condition $T_j = 25^\circ\text{C}$ means that the test should be carried out within so short a test time (within 10ms) that the characteristic value drift due to the chip junction temperature rise can be ignored.

Note 2) Unless otherwise specified, $V_I = 9\text{V}$, $I_O = 40\text{mA}$, $C_I = 0.33\mu\text{F}$, $C_O = 0.1\mu\text{F}$, $T_j = 0$ to 125°C (AN78L04) and $T_j = 0$ to 100°C (AN78L04M)

■ Electrical Characteristics at $T_a = 25^\circ\text{C}$ (continued)

• AN78L05, AN78L05M (5V type)

Parameter	Symbol	Conditions	Min	Typ	Max	Unit
Output voltage	V_O	$T_j = 25^\circ\text{C}$	4.8	5	5.2	V
Output voltage tolerance	V_O	$V_I = 7.5$ to 20V , $I_O = 1$ to 70mA	4.75	—	5.25	V
Line regulation	REG_{IN}	$V_I = 7.5$ to 20V , $T_j = 25^\circ\text{C}$	—	55	150	mV
		$V_I = 8$ to 20V , $T_j = 25^\circ\text{C}$	—	45	100	mV
Load regulation	REG_{L}	$I_O = 1$ to 100mA , $T_j = 25^\circ\text{C}$	—	11	60	mV
		$I_O = 1$ to 40mA , $T_j = 25^\circ\text{C}$	—	5	30	mV
Bias current	I_{Bias}	$T_j = 25^\circ\text{C}$	—	2	3	mA
Bias current fluctuation to input	$\Delta I_{\text{Bias(IN)}}$	$V_I = 8$ to 20V , $T_j = 25^\circ\text{C}$	—	—	1	mA
Bias current fluctuation to load	$\Delta I_{\text{Bias(L)}}$	$I_O = 1$ to 40mA , $T_j = 25^\circ\text{C}$	—	—	0.1	mA
Output noise voltage	V_{no}	$f = 10\text{Hz}$ to 100kHz	—	40	—	μV
Ripple rejection ratio	RR	$V_I = 8$ to 18V , $I_O = 40\text{mA}$, $f = 120\text{Hz}$	47	57	—	dB
Minimum input/output voltage difference	$V_{\text{DIF(min)}}$	$T_j = 25^\circ\text{C}$	—	1.7	—	V
Output short-circuit current	$I_{\text{O(Short)}}$	$T_j = 25^\circ\text{C}$, $V_I = 35\text{V}$	—	140	—	mA
Output voltage temperature coefficient	$\Delta V_O/T_a$	$I_O = 5\text{mA}$, $T_j = 0$ to 125°C	—	-0.65	—	$\text{mV}/^\circ\text{C}$

Note 1) The specified condition $T_j = 25^\circ\text{C}$ means that the test should be carried out within so short a test time (within 10ms) that the characteristic value drift due to the chip junction temperature rise can be ignored.

Note 2) Unless otherwise specified, $V_I = 10\text{V}$, $I_O = 40\text{mA}$, $C_1 = 0.33\mu\text{F}$, $C_O = 0.1\mu\text{F}$, $T_j = 0$ to 125°C (AN78L05) and $T_j = 0$ to 100°C (AN78L05M)

• AN78L06, AN78L06M (6V type)

Parameter	Symbol	Conditions	Min	Typ	Max	Unit
Output voltage	V_O	$T_j = 25^\circ\text{C}$	5.76	6	6.24	V
Output voltage tolerance	V_O	$V_I = 8.5$ to 21V , $I_O = 1$ to 70mA	5.7	—	6.3	V
Line regulation	REG_{IN}	$V_I = 8.5$ to 21V , $T_j = 25^\circ\text{C}$	—	60	155	mV
		$V_I = 9$ to 21V , $T_j = 25^\circ\text{C}$	—	50	105	mV
Load regulation	REG_{L}	$I_O = 1$ to 100mA , $T_j = 25^\circ\text{C}$	—	12	65	mV
		$I_O = 1$ to 40mA , $T_j = 25^\circ\text{C}$	—	5.5	35	mV
Bias current	I_{Bias}	$T_j = 25^\circ\text{C}$	—	2	3	mA
Bias current fluctuation to input	$\Delta I_{\text{Bias(IN)}}$	$V_I = 9$ to 21V , $T_j = 25^\circ\text{C}$	—	—	1	mA
Bias current fluctuation to load	$\Delta I_{\text{Bias(L)}}$	$I_O = 1$ to 40mA , $T_j = 25^\circ\text{C}$	—	—	0.1	mA
Output noise voltage	V_{no}	$f = 10\text{Hz}$ to 100kHz	—	50	—	μV
Ripple rejection ratio	RR	$V_I = 9$ to 19V , $I_O = 40\text{mA}$, $f = 120\text{Hz}$	46	56	—	dB
Minimum input/output voltage difference	$V_{\text{DIF(min)}}$	$T_j = 25^\circ\text{C}$	—	1.7	—	V
Output short-circuit current	$I_{\text{O(Short)}}$	$T_j = 25^\circ\text{C}$, $V_I = 35\text{V}$	—	140	—	mA
Output voltage temperature coefficient	$\Delta V_O/T_a$	$I_O = 5\text{mA}$, $T_j = 0$ to 125°C	—	-0.7	—	$\text{mV}/^\circ\text{C}$

Note 1) The specified condition $T_j = 25^\circ\text{C}$ means that the test should be carried out within so short a test time (within 10ms) that the characteristic value drift due to the chip junction temperature rise can be ignored.

Note 2) Unless otherwise specified, $V_I = 11\text{V}$, $I_O = 40\text{mA}$, $C_1 = 0.33\mu\text{F}$, $C_O = 0.1\mu\text{F}$, $T_j = 0$ to 125°C (AN78L06) and $T_j = 0$ to 100°C (AN78L06M)

■ Electrical Characteristics at $T_a = 25^\circ\text{C}$ (continued)

• AN78L07, AN78L07M (7V type)

Parameter	Symbol	Conditions	Min	Typ	Max	Unit
Output voltage	V_O	$T_j = 25^\circ\text{C}$	6.72	7	7.28	V
Output voltage tolerance	V_O	$V_I = 9.5$ to 22V , $I_O = 1$ to 70mA	6.65	—	7.35	V
Line regulation	REG _{IN}	$V_I = 9.5$ to 22V , $T_j = 25^\circ\text{C}$	—	70	165	mV
		$V_I = 10$ to 22V , $T_j = 25^\circ\text{C}$	—	60	115	mV
Load regulation	REG _L	$I_O = 1$ to 100mA , $T_j = 25^\circ\text{C}$	—	13	75	mV
		$I_O = 1$ to 40mA , $T_j = 25^\circ\text{C}$	—	6	35	mV
Bias current	I_{Bias}	$T_j = 25^\circ\text{C}$	—	2	3	mA
Bias current fluctuation to input	$\Delta I_{\text{Bias(IN)}}$	$V_I = 10$ to 22V , $T_j = 25^\circ\text{C}$	—	—	1	mA
Bias current fluctuation to load	$\Delta I_{\text{Bias(L)}}$	$I_O = 1$ to 40mA , $T_j = 25^\circ\text{C}$	—	—	0.1	mA
Output noise voltage	V_{no}	$f = 10\text{Hz}$ to 100kHz	—	50	—	μV
Ripple rejection ratio	RR	$V_I = 10$ to 20V , $I_O = 40\text{mA}$, $f = 120\text{Hz}$	45	55	—	dB
Minimum input/output voltage difference	$V_{\text{DIF(min)}}$	$T_j = 25^\circ\text{C}$	—	1.7	—	V
Output short-circuit current	$I_{\text{O(Short)}}$	$T_j = 25^\circ\text{C}$, $V_I = 35\text{V}$	—	140	—	mA
Output voltage temperature coefficient	$\Delta V_O/T_a$	$I_O = 5\text{mA}$, $T_j = 0$ to 125°C	—	-0.75	—	$\text{mV}/^\circ\text{C}$

Note 1) The specified condition $T_j = 25^\circ\text{C}$ means that the test should be carried out within so short a test time (within 10ms) that the characteristic value drift due to the chip junction temperature rise can be ignored.

Note 2) Unless otherwise specified, $V_I = 12\text{V}$, $I_O = 40\text{mA}$, $C_I = 0.33\mu\text{F}$, $C_O = 0.1\mu\text{F}$, $T_j = 0$ to 125°C (AN78L07) and $T_j = 0$ to 100°C (AN78L07M)

• AN78L08, AN78L08M (8V type)

Parameter	Symbol	Conditions	Min	Typ	Max	Unit
Output voltage	V_O	$T_j = 25^\circ\text{C}$	7.7	8	8.3	V
Output voltage tolerance	V_O	$V_I = 10.5$ to 23V , $I_O = 1$ to 70mA	7.6	—	8.4	V
Line regulation	REG _{IN}	$V_I = 10.5$ to 23V , $T_j = 25^\circ\text{C}$	—	80	175	mV
		$V_I = 11$ to 23V , $T_j = 25^\circ\text{C}$	—	70	125	mV
Load regulation	REG _L	$I_O = 1$ to 100mA , $T_j = 25^\circ\text{C}$	—	15	80	mV
		$I_O = 1$ to 40mA , $T_j = 25^\circ\text{C}$	—	7	40	mV
Bias current	I_{Bias}	$T_j = 25^\circ\text{C}$	—	2	3	mA
Bias current fluctuation to input	$\Delta I_{\text{Bias(IN)}}$	$V_I = 11$ to 23V , $T_j = 25^\circ\text{C}$	—	—	1	mA
Bias current fluctuation to load	$\Delta I_{\text{Bias(L)}}$	$I_O = 1$ to 40mA , $T_j = 25^\circ\text{C}$	—	—	0.1	mA
Output noise voltage	V_{no}	$f = 10\text{Hz}$ to 100kHz	—	60	—	μV
Ripple rejection ratio	RR	$V_I = 11$ to 21V , $I_O = 40\text{mA}$, $f = 120\text{Hz}$	44	54	—	dB
Minimum input/output voltage difference	$V_{\text{DIF(min)}}$	$T_j = 25^\circ\text{C}$	—	1.7	—	V
Output short-circuit current	$I_{\text{O(Short)}}$	$T_j = 25^\circ\text{C}$, $V_I = 35\text{V}$	—	140	—	mA
Output voltage temperature coefficient	$\Delta V_O/T_a$	$I_O = 5\text{mA}$, $T_j = 0$ to 125°C	—	-0.8	—	$\text{mV}/^\circ\text{C}$

Note 1) The specified condition $T_j = 25^\circ\text{C}$ means that the test should be carried out within so short a test time (within 10ms) that the characteristic value drift due to the chip junction temperature rise can be ignored.

Note 2) Unless otherwise specified, $V_I = 14\text{V}$, $I_O = 40\text{mA}$, $C_I = 0.33\mu\text{F}$, $C_O = 0.1\mu\text{F}$, $T_j = 0$ to 125°C (AN78L08) and $T_j = 0$ to 100°C (AN78L08M)

■ Electrical Characteristics at $T_a = 25^\circ\text{C}$ (continued)

• AN78L09, AN78L09M (9V type)

Parameter	Symbol	Conditions	Min	Typ	Max	Unit
Output voltage	V_O	$T_j = 25^\circ\text{C}$	8.64	9	9.35	V
Output voltage tolerance	V_O	$V_I = 11.5$ to 24V , $I_O = 1$ to 70mA	8.55	—	9.45	V
Line regulation	REG_{IN}	$V_I = 11.5$ to 24V , $T_j = 25^\circ\text{C}$	—	90	190	mV
		$V_I = 12$ to 24V , $T_j = 25^\circ\text{C}$	—	80	140	mV
Load regulation	REG_{L}	$I_O = 1$ to 100mA , $T_j = 25^\circ\text{C}$	—	16	85	mV
		$I_O = 1$ to 40mA , $T_j = 25^\circ\text{C}$	—	8	45	mV
Bias current	I_{Bias}	$T_j = 25^\circ\text{C}$	—	2	3	mA
Bias current fluctuation to input	$\Delta I_{\text{Bias(IN)}}$	$V_I = 12$ to 24V , $T_j = 25^\circ\text{C}$	—	—	1	mA
Bias current fluctuation to load	$\Delta I_{\text{Bias(L)}}$	$I_O = 1$ to 40mA , $T_j = 25^\circ\text{C}$	—	—	0.1	mA
Output noise voltage	V_{no}	$f = 10\text{Hz}$ to 100kHz	—	65	—	μV
Ripple rejection ratio	RR	$V_I = 12$ to 22V , $I_O = 40\text{mA}$, $f = 120\text{Hz}$	43	53	—	dB
Minimum input/output voltage difference	$V_{\text{DIF(min)}}$	$T_j = 25^\circ\text{C}$	—	1.7	—	V
Output short-circuit current	$I_{\text{O(Short)}}$	$T_j = 25^\circ\text{C}$, $V_I = 35\text{V}$	—	140	—	mA
Output voltage temperature coefficient	$\Delta V_O/T_a$	$I_O = 5\text{mA}$, $T_j = 0$ to 125°C	—	-0.85	—	$\text{mV}/^\circ\text{C}$

Note 1) The specified condition $T_j = 25^\circ\text{C}$ means that the test should be carried out within so short a test time (within 10ms) that the characteristic value drift due to the chip junction temperature rise can be ignored.

Note 2) Unless otherwise specified, $V_I = 15\text{V}$, $I_O = 40\text{mA}$, $C_I = 0.33\mu\text{F}$, $C_O = 0.1\mu\text{F}$, $T_j = 0$ to 125°C (AN78L09) and $T_j = 0$ to 100°C (AN78L09M)

• AN78L10, AN78L10M (10V type)

Parameter	Symbol	Conditions	Min	Typ	Max	Unit
Output voltage	V_O	$T_j = 25^\circ\text{C}$	9.6	10	10.4	V
Output voltage tolerance	V_O	$V_I = 12.5$ to 25V , $I_O = 1$ to 70mA	9.5	—	10.5	V
Line regulation	REG_{IN}	$V_I = 12.5$ to 25V , $T_j = 25^\circ\text{C}$	—	100	210	mV
		$V_I = 13$ to 25V , $T_j = 25^\circ\text{C}$	—	90	160	mV
Load regulation	REG_{L}	$I_O = 1$ to 100mA , $T_j = 25^\circ\text{C}$	—	17	90	mV
		$I_O = 1$ to 40mA , $T_j = 25^\circ\text{C}$	—	9	45	mV
Bias current	I_{Bias}	$T_j = 25^\circ\text{C}$	—	2	3	mA
Bias current fluctuation to input	$\Delta I_{\text{Bias(IN)}}$	$V_I = 13$ to 25V , $T_j = 25^\circ\text{C}$	—	—	1	mA
Bias current fluctuation to load	$\Delta I_{\text{Bias(L)}}$	$I_O = 1$ to 40mA , $T_j = 25^\circ\text{C}$	—	—	0.1	mA
Output noise voltage	V_{no}	$f = 10\text{Hz}$ to 100kHz	—	70	—	μV
Ripple rejection ratio	RR	$V_I = 13$ to 23V , $I_O = 40\text{mA}$, $f = 120\text{Hz}$	42	52	—	dB
Minimum input/output voltage difference	$V_{\text{DIF(min)}}$	$T_j = 25^\circ\text{C}$	—	1.7	—	V
Output short-circuit current	$I_{\text{O(Short)}}$	$T_j = 25^\circ\text{C}$, $V_I = 35\text{V}$	—	140	—	mA
Output voltage temperature coefficient	$\Delta V_O/T_a$	$I_O = 5\text{mA}$, $T_j = 0$ to 125°C	—	-0.9	—	$\text{mV}/^\circ\text{C}$

Note 1) The specified condition $T_j = 25^\circ\text{C}$ means that the test should be carried out within so short a test time (within 10ms) that the characteristic value drift due to the chip junction temperature rise can be ignored.

Note 2) Unless otherwise specified, $V_I = 16\text{V}$, $I_O = 40\text{mA}$, $C_I = 0.33\mu\text{F}$, $C_O = 0.1\mu\text{F}$, $T_j = 0$ to 125°C (AN78L10) and $T_j = 0$ to 100°C (AN78L10M)

■ Electrical Characteristics at $T_a = 25^\circ\text{C}$ (continued)

• AN78L12, AN78L12M (12V type)

Parameter	Symbol	Conditions	Min	Typ	Max	Unit
Output voltage	V_O	$T_j = 25^\circ\text{C}$	11.5	12	12.5	V
Output voltage tolerance	V_O	$V_I = 14.5$ to 27V , $I_O = 1$ to 70mA	11.4	—	12.6	V
Line regulation	REG_{IN}	$V_I = 14.5$ to 27V , $T_j = 25^\circ\text{C}$	—	120	250	mV
		$V_I = 15$ to 27V , $T_j = 25^\circ\text{C}$	—	100	200	mV
Load regulation	REG_{L}	$I_O = 1$ to 100mA , $T_j = 25^\circ\text{C}$	—	20	100	mV
		$I_O = 1$ to 40mA , $T_j = 25^\circ\text{C}$	—	10	50	mV
Bias current	I_{Bias}	$T_j = 25^\circ\text{C}$	—	2	3.5	mA
Bias current fluctuation to input	$\Delta I_{\text{Bias(IN)}}$	$V_I = 15$ to 27V , $T_j = 25^\circ\text{C}$	—	—	1	mA
Bias current fluctuation to load	$\Delta I_{\text{Bias(L)}}$	$I_O = 1$ to 40mA , $T_j = 25^\circ\text{C}$	—	—	0.1	mA
Output noise voltage	V_{no}	$f = 10\text{Hz}$ to 100kHz	—	80	—	μV
Ripple rejection ratio	RR	$V_I = 15$ to 25V , $I_O = 40\text{mA}$, $f = 120\text{Hz}$	40	50	—	dB
Minimum input/output voltage difference	$V_{\text{DIF(min)}}$	$T_j = 25^\circ\text{C}$	—	1.7	—	V
Output short-circuit current	$I_{\text{O(Short)}}$	$T_j = 25^\circ\text{C}$, $V_I = 35\text{V}$	—	140	—	mA
Output voltage temperature coefficient	$\Delta V_O/T_a$	$I_O = 5\text{mA}$, $T_j = 0$ to 125°C	—	-1	—	$\text{mV}/^\circ\text{C}$

Note 1) The specified condition $T_j = 25^\circ\text{C}$ means that the test should be carried out within so short a test time (within 10ms) that the characteristic value drift due to the chip junction temperature rise can be ignored.

Note 2) Unless otherwise specified, $V_I = 19\text{V}$, $I_O = 40\text{mA}$, $C_1 = 0.33\mu\text{F}$, $C_O = 0.1\mu\text{F}$, $T_j = 0$ to 125°C (AN78L12) and $T_j = 0$ to 100°C (AN78L12M)

• AN78L15, AN78L15M (15V type)

Parameter	Symbol	Conditions	Min	Typ	Max	Unit
Output voltage	V_O	$T_j = 25^\circ\text{C}$	14.4	15	15.6	V
Output voltage tolerance	V_O	$V_I = 17.5$ to 30V , $I_O = 1$ to 70mA	14.25	—	15.75	V
Line regulation	REG_{IN}	$V_I = 17.5$ to 30V , $T_j = 25^\circ\text{C}$	—	130	300	mV
		$V_I = 18$ to 30V , $T_j = 25^\circ\text{C}$	—	110	250	mV
Load regulation	REG_{L}	$I_O = 1$ to 100mA , $T_j = 25^\circ\text{C}$	—	25	150	mV
		$I_O = 1$ to 40mA , $T_j = 25^\circ\text{C}$	—	12	75	mV
Bias current	I_{Bias}	$T_j = 25^\circ\text{C}$	—	2	3.5	mA
Bias current fluctuation to input	$\Delta I_{\text{Bias(IN)}}$	$V_I = 18$ to 30V , $T_j = 25^\circ\text{C}$	—	—	1	mA
Bias current fluctuation to load	$\Delta I_{\text{Bias(L)}}$	$I_O = 1$ to 40mA , $T_j = 25^\circ\text{C}$	—	—	0.1	mA
Output noise voltage	V_{no}	$f = 10\text{Hz}$ to 100kHz	—	90	—	μV
Ripple rejection ratio	RR	$V_I = 18$ to 28V , $I_O = 40\text{mA}$, $f = 120\text{Hz}$	38	48	—	dB
Minimum input/output voltage difference	$V_{\text{DIF(min)}}$	$T_j = 25^\circ\text{C}$	—	1.7	—	V
Output short-circuit current	$I_{\text{O(Short)}}$	$T_j = 25^\circ\text{C}$, $V_I = 35\text{V}$	—	140	—	mA
Output voltage temperature coefficient	$\Delta V_O/T_a$	$I_O = 5\text{mA}$, $T_j = 0$ to 125°C	—	-1.3	—	$\text{mV}/^\circ\text{C}$

Note 1) The specified condition $T_j = 25^\circ\text{C}$ means that the test should be carried out within so short a test time (within 10ms) that the characteristic value drift due to the chip junction temperature rise can be ignored.

Note 2) Unless otherwise specified, $V_I = 23\text{V}$, $I_O = 40\text{mA}$, $C_1 = 0.33\mu\text{F}$, $C_O = 0.1\mu\text{F}$, $T_j = 0$ to 125°C (AN78L15) and $T_j = 0$ to 100°C (AN78L15M)

■ Electrical Characteristics at $T_a = 25^\circ\text{C}$ (continued)

• AN78L18, AN78L18M (18V type)

Parameter	Symbol	Conditions	Min	Typ	Max	Unit
Output voltage	V_O	$T_j = 25^\circ\text{C}$	17.3	18	18.7	V
Output voltage tolerance	V_O	$V_I = 20.5$ to 33V , $I_O = 1$ to 70mA	17.1	—	18.9	V
Line regulation	REG_{IN}	$V_I = 20.5$ to 33V , $T_j = 25^\circ\text{C}$	—	45	300	mV
		$V_I = 21$ to 33V , $T_j = 25^\circ\text{C}$	—	35	250	mV
Load regulation	REG_{L}	$I_O = 1$ to 100mA , $T_j = 25^\circ\text{C}$	—	30	170	mV
		$I_O = 1$ to 40mA , $T_j = 25^\circ\text{C}$	—	15	85	mV
Bias current	I_{Bias}	$T_j = 25^\circ\text{C}$	—	2	3.5	mA
Bias current fluctuation to input	$\Delta I_{\text{Bias(IN)}}$	$V_I = 21$ to 33V , $T_j = 25^\circ\text{C}$	—	—	1	mA
Bias current fluctuation to load	$\Delta I_{\text{Bias(L)}}$	$I_O = 1$ to 40mA , $T_j = 25^\circ\text{C}$	—	—	0.1	mA
Output noise voltage	V_{no}	$f = 10\text{Hz}$ to 100kHz	—	150	—	μV
Ripple rejection ratio	RR	$V_I = 21$ to 31V , $I_O = 40\text{mA}$, $f = 120\text{Hz}$	36	46	—	dB
Minimum input/output voltage difference	$V_{\text{DIF(min)}}$	$T_j = 25^\circ\text{C}$	—	1.7	—	V
Output short-circuit current	$I_{\text{O(Short)}}$	$T_j = 25^\circ\text{C}$, $V_I = 35\text{V}$	—	140	—	mA
Output voltage temperature coefficient	$\Delta V_O/T_a$	$I_O = 5\text{mA}$, $T_j = 0$ to 125°C	—	-1.5	—	$\text{mV}/^\circ\text{C}$

Note 1) The specified condition $T_j = 25^\circ\text{C}$ means that the test should be carried out within so short a test time (within 10ms) that the characteristic value drift due to the chip junction temperature rise can be ignored.

Note 2) Unless otherwise specified, $V_I = 27\text{V}$, $I_O = 40\text{mA}$, $C_1 = 0.33\mu\text{F}$, $C_O = 0.1\mu\text{F}$, $T_j = 0$ to 125°C (AN78L18) and $T_j = 0$ to 100°C (AN78L18M)

• AN78L20, AN78L20M (20V type)

Parameter	Symbol	Conditions	Min	Typ	Max	Unit
Output voltage	V_O	$T_j = 25^\circ\text{C}$	19.2	20	20.8	V
Output voltage tolerance	V_O	$V_I = 22.5$ to 35V , $I_O = 1$ to 70mA	19	—	21	V
Line regulation	REG_{IN}	$V_I = 22.5$ to 35V , $T_j = 25^\circ\text{C}$	—	50	300	mV
		$V_I = 23$ to 35V , $T_j = 25^\circ\text{C}$	—	40	250	mV
Load regulation	REG_{L}	$I_O = 1$ to 100mA , $T_j = 25^\circ\text{C}$	—	35	180	mV
		$I_O = 1$ to 40mA , $T_j = 25^\circ\text{C}$	—	17	90	mV
Bias current	I_{Bias}	$T_j = 25^\circ\text{C}$	—	2	3.5	mA
Bias current fluctuation to input	$\Delta I_{\text{Bias(IN)}}$	$V_I = 23$ to 35V , $T_j = 25^\circ\text{C}$	—	—	1	mA
Bias current fluctuation to load	$\Delta I_{\text{Bias(L)}}$	$I_O = 1$ to 40mA , $T_j = 25^\circ\text{C}$	—	—	0.1	mA
Output noise voltage	V_{no}	$f = 10\text{Hz}$ to 100kHz	—	170	—	μV
Ripple rejection ratio	RR	$V_I = 23$ to 33V , $I_O = 40\text{mA}$, $f = 120\text{Hz}$	34	44	—	dB
Minimum input/output voltage difference	$V_{\text{DIF(min)}}$	$T_j = 25^\circ\text{C}$	—	1.7	—	V
Output short-circuit current	$I_{\text{O(Short)}}$	$T_j = 25^\circ\text{C}$, $V_I = 35\text{V}$	—	140	—	mA
Output voltage temperature coefficient	$\Delta V_O/T_a$	$I_O = 5\text{mA}$, $T_j = 0$ to 125°C	—	-1.7	—	$\text{mV}/^\circ\text{C}$

Note 1) The specified condition $T_j = 25^\circ\text{C}$ means that the test should be carried out within so short a test time (within 10ms) that the characteristic value drift due to the chip junction temperature rise can be ignored.

Note 2) Unless otherwise specified, $V_I = 29\text{V}$, $I_O = 40\text{mA}$, $C_1 = 0.33\mu\text{F}$, $C_O = 0.1\mu\text{F}$, $T_j = 0$ to 125°C (AN78L20) and $T_j = 0$ to 100°C (AN78L20M)

■ Electrical Characteristics at $T_a = 25^\circ\text{C}$ (continued)

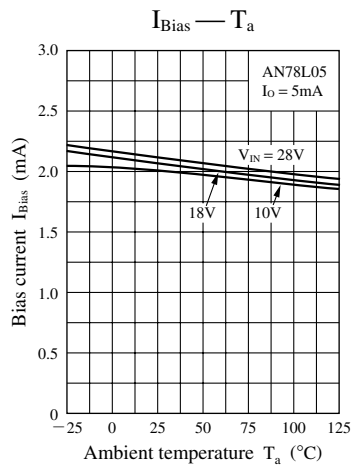
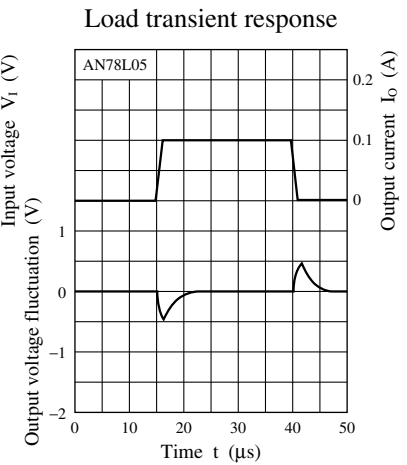
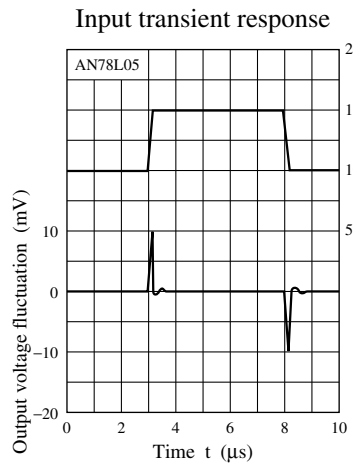
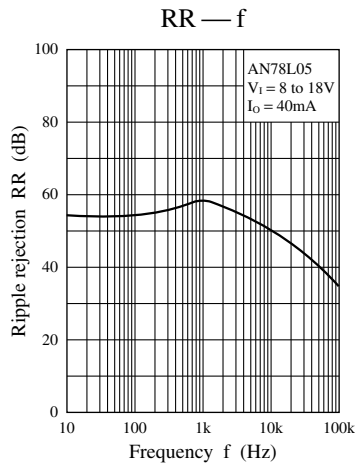
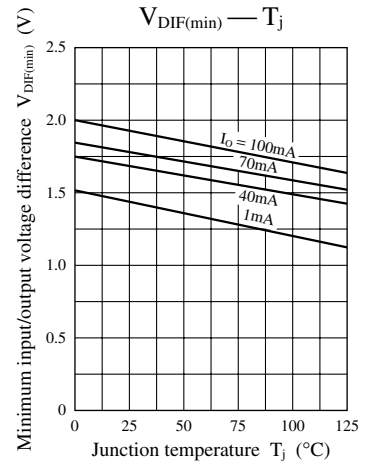
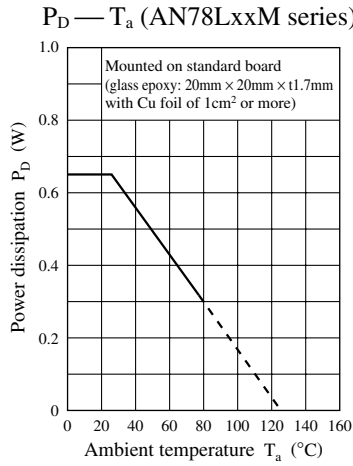
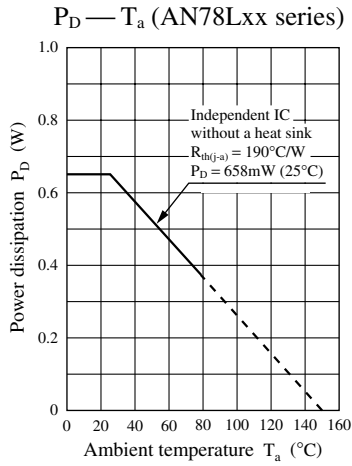
• AN78L24, AN78L24M (24V type)

Parameter	Symbol	Conditions	Min	Typ	Max	Unit
Output voltage	V_O	$T_j = 25^\circ\text{C}$	23	24	25	V
Output voltage tolerance	V_O	$V_I = 26.5$ to 39V , $I_O = 1$ to 70mA	22.8	—	25.2	V
Line regulation	REG_{IN}	$V_I = 26.5$ to 39V , $T_j = 25^\circ\text{C}$	—	60	300	mV
		$V_I = 27$ to 39V , $T_j = 25^\circ\text{C}$	—	50	250	mV
Load regulation	REG_{L}	$I_O = 1$ to 100mA , $T_j = 25^\circ\text{C}$	—	40	200	mV
		$I_O = 1$ to 40mA , $T_j = 25^\circ\text{C}$	—	20	100	mV
Bias current	I_{Bias}	$T_j = 25^\circ\text{C}$	—	2	3.5	mA
Bias current fluctuation to input	$\Delta I_{\text{Bias(IN)}}$	$V_I = 27$ to 39V , $T_j = 25^\circ\text{C}$	—	—	1	mA
Bias current fluctuation to load	$\Delta I_{\text{Bias(L)}}$	$I_O = 1$ to 40mA , $T_j = 25^\circ\text{C}$	—	—	0.1	mA
Output noise voltage	V_{no}	$f = 10\text{Hz}$ to 100kHz	—	200	—	μV
Ripple rejection ratio	RR	$V_I = 27$ to 37V , $I_O = 40\text{mA}$, $f = 120\text{Hz}$	34	44	—	dB
Minimum input/output voltage difference	$V_{\text{DIF(min)}}$	$T_j = 25^\circ\text{C}$	—	1.7	—	V
Output short-circuit current	$I_{\text{O(Short)}}$	$T_j = 25^\circ\text{C}$, $V_I = 35\text{V}$	—	140	—	mA
Output voltage temperature coefficient	$\Delta V_O/T_a$	$I_O = 5\text{mA}$, $T_j = 0$ to 125°C	—	-2	—	$\text{mV}/^\circ\text{C}$

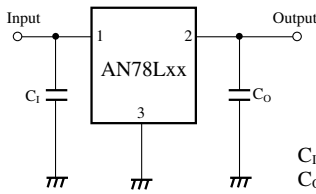
Note 1) The specified condition $T_j = 25^\circ\text{C}$ means that the test should be carried out within so short a test time (within 10ms) that the characteristic value drift due to the chip junction temperature rise can be ignored.

Note 2) Unless otherwise specified, $V_I = 33\text{V}$, $I_O = 40\text{mA}$, $C_I = 0.33\mu\text{F}$, $C_O = 0.1\mu\text{F}$, $T_j = 0$ to 125°C (AN78L24) and $T_j = 0$ to 100°C (AN78L24M)

■ Main Characteristics



■ Basic Regulator Circuit



C₁ is necessary when the input line is long.
C_O improves the transient response.

■ Usage Notes

1. Cautions for a basic circuit

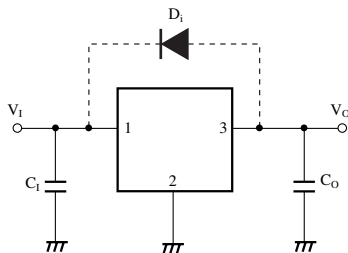


Figure 1

C₁: When a wiring from a smoothing circuit to a three-pin regulator is long, it is likely to oscillate at output. A capacitor of 0.1μF to 0.47μF should be connected near an input pin.

C_O: When any sudden change of load current is likely to occur, connect an electrolytic capacitor of 10μF to 100μF to improve a transitional response of output voltage.

D₁: Normally unnecessary. But add it in the case that there is a residual voltage at the output capacitor C_O even after switching off the supply power because a current is likely to flow into an output pin of the IC and damage the IC.

2. Other caution items

1) Short-circuit between the input pin and GND pin

If the input pin is short-circuited to GND or is cut off when a large capacitance capacitor has been connected to the IC's load, a voltage of a capacitor connected to an output pin is applied between input/output of the IC and this likely results in damage of the IC. It is necessary, therefore, to connect a diode, as shown in figure 2, to counter the reverse bias between input/output pins.

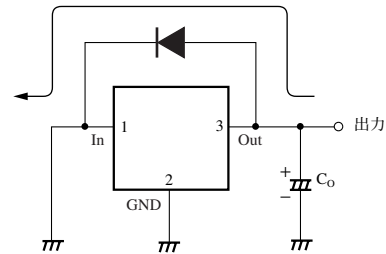
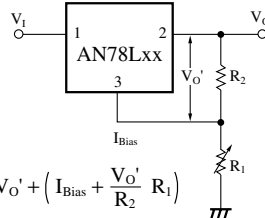
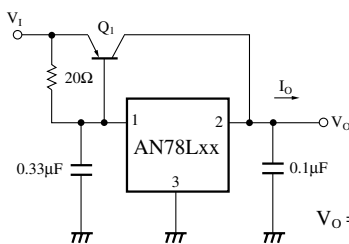


Figure 2

2) Floating of GND pin

If a GND pin is made floating in an operating mode, an unstabilized input voltage is outputted. In this case, a thermal protection circuit inside the IC does not normally operate. In this state, if the load is short-circuited or overloaded, it is likely to damage the IC.

■ Application Circuit Examples

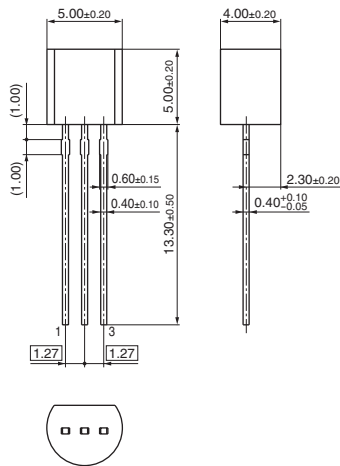


$$V_O = V_{O'} + \left(I_{Bias} + \frac{V_{O'}}{R_2} \right) R_1$$

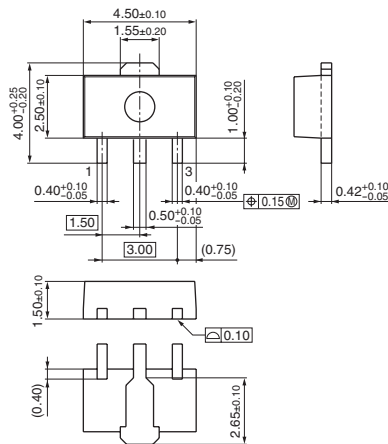
Note) V_O varies due to sample to sample variation of I_{Bias}.
Never fail to adjust individually with R₁.

■ New Package Dimensions (Unit: mm)

- SSIP003-P-0000S (Lead-free package)



- HSIP003-P-0000Q (Lead-free package)



Request for your special attention and precautions in using the technical information and semiconductors described in this material

- (1) An export permit needs to be obtained from the competent authorities of the Japanese Government if any of the products or technologies described in this material and controlled under the "Foreign Exchange and Foreign Trade Law" is to be exported or taken out of Japan.
- (2) The technical information described in this material is limited to showing representative characteristics and applied circuit examples of the products. It does not constitute the warranting of industrial property, the granting of relative rights, or the granting of any license.
- (3) The products described in this material are intended to be used for standard applications or general electronic equipment (such as office equipment, communications equipment, measuring instruments and household appliances).
Consult our sales staff in advance for information on the following applications:
 - Special applications (such as for airplanes, aerospace, automobiles, traffic control equipment, combustion equipment, life support systems and safety devices) in which exceptional quality and reliability are required, or if the failure or malfunction of the products may directly jeopardize life or harm the human body.
 - Any applications other than the standard applications intended.
- (4) The products and product specifications described in this material are subject to change without notice for reasons of modification and/or improvement. At the final stage of your design, purchasing, or use of the products, therefore, ask for the most up-to-date Product Standards in advance to make sure that the latest specifications satisfy your requirements.
- (5) When designing your equipment, comply with the guaranteed values, in particular those of maximum rating, the range of operating power supply voltage and heat radiation characteristics. Otherwise, we will not be liable for any defect which may arise later in your equipment.
Even when the products are used within the guaranteed values, redundant design is recommended, so that such equipment may not violate relevant laws or regulations because of the function of our products.
- (6) When using products for which dry packing is required, observe the conditions (including shelf life and after-unpacking standby time) agreed upon when specification sheets are individually exchanged.
- (7) No part of this material may be reprinted or reproduced by any means without written permission from our company.

Please read the following notes before using the datasheets

- A. These materials are intended as a reference to assist customers with the selection of Panasonic semiconductor products best suited to their applications.
Due to modification or other reasons, any information contained in this material, such as available product types, technical data, and so on, is subject to change without notice.
Customers are advised to contact our semiconductor sales office and obtain the latest information before starting precise technical research and/or purchasing activities.
- B. Panasonic is endeavoring to continually improve the quality and reliability of these materials but there is always the possibility that further rectifications will be required in the future. Therefore, Panasonic will not assume any liability for any damages arising from any errors etc. that may appear in this material.
- C. These materials are solely intended for a customer's individual use.
Therefore, without the prior written approval of Panasonic, any other use such as reproducing, selling, or distributing this material to a third party, via the Internet or in any other way, is prohibited.