

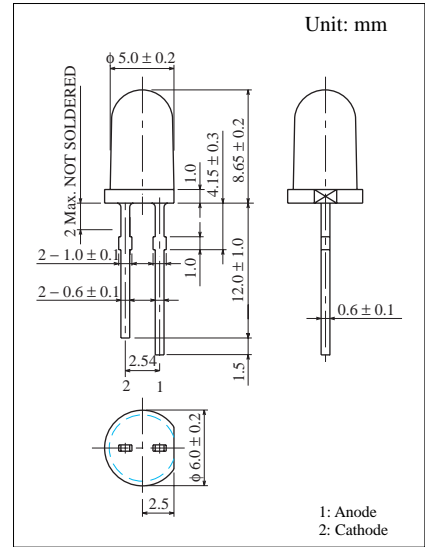
丸形 Round Type
φ 5.0 mm Series

Conventional Part No.	Global Part No.	Lighting Color
LN21RAL(U)	LNG201RDA	Red
LN21RCAL(U)	LNG201LDA	Red
LN21WAL(U)	LNG201WDA	Red
LN21CAL(U)	LNG201CDA	Red

■ 絶対最大定格 Absolute Maximum Ratings ($T_a = 25^\circ\text{C}$)

Lighting Color	P_D (mW)	I_F (mA)	I_{FP} (mA)*	V_R (V)	T_{opr} ($^\circ\text{C}$)	T_{stg} ($^\circ\text{C}$)
Red	70	30	150	3	-25 ~ +85	-30 ~ +100

I_{FP} の条件は duty 10% Pulse width 1 msec. The condition of I_{FP} is duty 10%, Pulse width 1 msec



■ 電気的光学的特性 Electro-Optical Characteristics ($T_a = 25^\circ\text{C}$)

Conventional Part No.	Lighting Color	Lens Color	I_O		I_F	V_F		λ_P	$\Delta\lambda$	I_F	I_R	
			Typ	Min		Typ	Max				Max	V_R
LN21RAL(U)	Red	Red Diffused	50	20	20	1.8	2.6	665	20	20	100	3
LN21RCAL(U)	Red	Red Clear	85	30	20	1.8	2.6	665	20	20	100	3
LN21WAL(U)	Red	White Diffused	50	20	20	1.8	2.6	665	20	20	100	3
LN21CAL(U)	Red	Clear	85	30	20	1.8	2.6	665	20	20	100	3
Unit	—	—	mcd	mcd	mA	V	V	nm	nm	mA	μA	V

