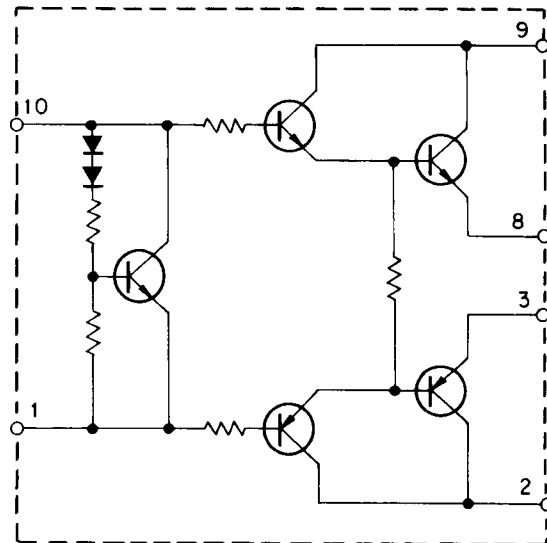


| | | | |
|--------------------|--|-------------|-------------------------|
| APPLICATION | 50W MIN. AF POWER AMPLIFIER OUTPUT STAGE (D. P. P.) | NAME | STK-0050 (A) |
| MODEL | SX-780 | TYPE | HYBRID LINEAR IC |

EQUIVALENT CIRCUIT



PIN FUNCTION

| Pin No. | Function |
|---------|-----------------------|
| 1 | Input (-) |
| 2 | Negative power supply |
| 3 | Output |
| 4 | NC |
| 5 | |
| 6 | |
| 7 | |
| 8 | Output |
| 9 | Positive power supply |
| 10 | Input (+) |

STK