

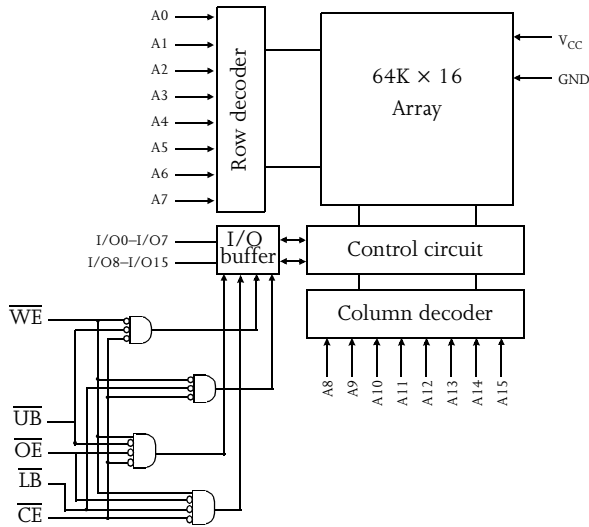


5V/3.3V 64K X 16 CMOS SRAM

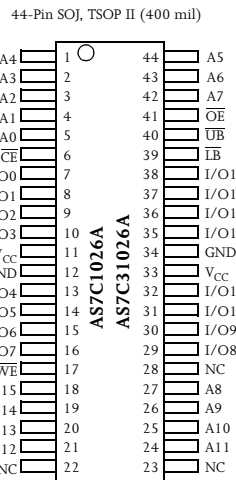
Features

- AS7C1026A (5V version)
- AS7C31026A (3.3V version)
- Industrial and commercial versions
- Organization: 65,536 words × 16 bits
- Center power and ground pins for low noise
- High speed
 - 10/12/15/20 ns address access time
 - 3/3/4/5 ns output enable access time
- Low power consumption: ACTIVE
 - 660 mW (AS7C1026A) / max @ 10 ns
 - 324 mW (AS7C31026A) / max @ 10 ns
- Low power consumption: STANDBY
 - 55 mW (AS7C1026A) / max CMOS I/O
 - 36 mW (AS7C31026A) / max CMOS I/O
- Latest 6T 0.25u CMOS technology
- 2.0V data retention
- Easy memory expansion with \overline{CE} , \overline{OE} inputs
- TTL-compatible, three-state I/O
- JEDEC standard packaging
 - 44-pin 400 mil SOJ
 - 44-pin 400 mil TSOP II
 - 48-ball 6 mm × 8 mm CSP mBGA
- ESD protection ≥ 2000 volts
- Latch-up current ≥ 200 mA

Logic block diagram



Pin arrangement



48-CSP mini Ball-Grid-Array Package

	1	2	3	4	5	6
A	\overline{LB}	\overline{OE}	A ₀	A ₁	A ₂	NC
B	I/O8	\overline{UB}	A ₃	A ₄	\overline{CE}	I/O0
C	I/O9	I/O10	A ₅	A ₆	I/O1	I/O2
D	V _{SS}	I/O11	NC	A ₇	I/O3	V _{DD}
E	V _{DD}	I/O12	NC	NC	I/O4	V _{SS}
F	I/O14	I/O13	A ₁₄	A ₁₅	I/O5	I/O6
G	I/O15	NC	A ₁₂	A ₁₃	\overline{WE}	I/O7
H	NC	A ₈	A ₉	A ₁₀	A ₁₁	NC

Selection guide

		AS7C1026A-10 AS7C31026A-10	AS7C1026A-12 AS7C31026A-12	AS7C1026A-15 AS7C31026A-15	AS7C1026A-20 AS7C31026A-20	Unit
Maximum address access time		10	12	15	20	ns
Maximum output enable access time		3	3	4	5	ns
Maximum operating current	AS7C1026A	120	110	100	100	mA
	AS7C31026A	90	80	80	80	mA
Maximum CMOS standby current	AS7C1026A	10	10	10	15	mA
	AS7C31026A	10	10	10	15	mA



Functional description

The AS7C1026A and AS7C31026A are high-performance CMOS 1,048,576-bit Static Random Access Memory (SRAM) devices organized as 65,536 words \times 16 bits. They are designed for memory applications where fast data access, low power, and simple interfacing are desired.

Equal address access and cycle times (t_{AA} , t_{RC} , t_{WC}) of 10/12/15/20 ns with output enable access times (t_{OE}) of 3/3/4/5 ns are ideal for high-performance applications.

When \overline{CE} is high the devices enter standby mode. The AS7C1026A is guaranteed not to exceed 55 mW power consumption in CMOS standby mode. The devices also offer 2.0V data retention.

A write cycle is accomplished by asserting write enable (\overline{WE}) and chip enable (\overline{CE}). Data on the input pins I/O0–I/O15 is written on the rising edge of \overline{WE} (write cycle 1) or \overline{CE} (write cycle 2). To avoid bus contention, external devices should drive I/O pins only after outputs have been disabled with output enable (\overline{OE}) or write enable (\overline{WE}).

A read cycle is accomplished by asserting output enable (\overline{OE}) and chip enable (\overline{CE}), with write enable (\overline{WE}) high. The chips drive I/O pins with the data word referenced by the input address. When either chip enable or output enable is inactive, or write enable is active, output drivers stay in high-impedance mode.

The devices provide multiple center power and ground pins, and separate byte enable controls, allowing individual bytes to be written and read. \overline{LB} controls the lower bits, I/O0–I/O7, and \overline{UB} controls the higher bits, I/O8–I/O15.

All chip inputs and outputs are TTL-compatible, and operation is from a single 5V supply (AS7C1026A) or 3.3V supply (AS7C31026A). The device is packaged in common industry standard packages. Chip scale BGA packaging, easy to use in manufacturing, provides the smallest possible footprint. This 48-ball JEDEC-registered package has a ball pitch of 0.75 mm and external dimensions of 8 mm \times 6 mm.

Absolute maximum ratings

Parameter		Symbol	Min	Max	Unit
Voltage on V_{CC} relative to GND	AS7C1026A	V_{t1}	-0.50	+7.0	V
	AS7C31026A	V_{t1}	-0.50	+5.0	V
Voltage on any pin relative to GND	Both	V_{t2}	-0.50	$V_{CC} + 0.50$	V
Power dissipation	Both	P_D	–	1.0	W
Storage temperature (plastic)	Both	T_{stg}	-65	+150	$^{\circ}C$
Ambient temperature with VCC applied	Both	T_{bias}	-55	+125	$^{\circ}C$
DC current into outputs (low)	Both	I_{OUT}	–	20	mA

Note: Stresses greater than those listed under Absolute Maximum Ratings may cause permanent damage to the device. This is a stress rating only and functional operation of the device at these or any other conditions outside those indicated in the operational sections of this specification is not implied. Exposure to absolute maximum rating conditions for extended periods may affect reliability.

Truth table

\overline{CE}	\overline{WE}	\overline{OE}	\overline{LB}	\overline{UB}	I/O0–I/O7	I/O8–I/O15	Mode
H	X	X	X	X	High Z	High Z	Standby (I_{SB}), I_{SBI})
L	H	L	L	H	D_{OUT}	High Z	Read I/O0–I/O7 (I_{CC})
L	H	L	H	L	High Z	D_{OUT}	Read I/O8–I/O15 (I_{CC})
L	H	L	L	L	D_{OUT}	D_{OUT}	Read I/O0–I/O15 (I_{CC})
L	L	X	L	L	D_{IN}	D_{IN}	Write I/O0–I/O15 (I_{CC})
L	L	X	L	H	D_{IN}	High Z	Write I/O0–I/O7 (I_{CC})
L	L	X	H	L	High Z	D_{IN}	Write I/O8–I/O15 (I_{CC})
L	H	H	X	X	High Z	High Z	Output disable (I_{CC})
L	X	X	H	H	High Z	High Z	

Key: H = High, L = Low, X = don't care.



Recommended operating conditions

Parameter	Device	Symbol	Min	Nominal	Max	Unit
Supply voltage	AS7C1026A	V_{CC}	4.5	5.0	5.5	V
	AS7C31026A	V_{CC}	3.0	3.3	3.6	V
Input voltage	AS7C1026A	V_{IH}	2.2	–	$V_{CC} + 0.5$	V
	AS7C31026A	V_{IH}	2.0	–	$V_{CC} + 0.5$	V
	Both	V_{IL}^{\dagger}	-0.5	–	0.8	V
Ambient operating temperature	commercial	T_A	0	–	70	°C
	industrial	T_A	-40	–	85	°C

[†] V_{IL} min. = -3.0V for pulse width less than $t_{RC}/2$.

DC operating characteristics (over the operating range)¹

Parameter	Sym	Test conditions	Device	-10		-12		-15		-20		Unit
				Min	Max	Min	Max	Min	Max	Min	Max	
Input leakage current	$ I_{II} $	$V_{CC} = \text{Max}$ $V_{IN} = \text{GND to } V_{CC}$	Both	–	1	–	1	–	1	–	1	μA
Output leakage current	$ I_{LO} $	$V_{CC} = \text{Max}$ $\overline{CE} = V_{IH}$, $V_{OUT} = \text{GND to } V_{CC}$	Both	–	1	–	1	–	1	–	1	μA
Operating power supply current	I_{CC}	$V_{CC} = \text{Max}$, $\overline{CE} \leq V_{IL}$, outputs open, $f = f_{Max} = 1/t_{RC}$	AS7C1026A	–	120	–	110	–	100	–	100	mA
			AS7C31026A	–	90	–	80	–	80	–	80	mA
Standby power supply current	I_{SB}	$V_{CC} = \text{Max}$, $\overline{CE} \leq V_{IL}$, outputs open, $f = f_{Max} = 1/t_{RC}$	AS7C1026A	–	30	–	25	–	20	–	20	mA
			AS7C31026A	–	30	–	25	–	20	–	20	
	I_{SB1}	$V_{CC} = \text{Max}$, $\overline{CE} \geq V_{CC} - 0.2V$, $V_{IN} \leq \text{GND} + 0.2V$ or $V_{IN} \geq V_{CC} - 0.2V$, $f = 0$	AS7C1026A	–	10	–	10	–	10	–	15	mA
			AS7C31026A	–	10	–	10	–	10	–	15	
Output voltage	V_{OL}	$I_{OL} = 8 \text{ mA}$, $V_{CC} = \text{Min}$	AS7C1026A	–	0.4	–	0.4	–	0.4	–	0.4	V
	V_{OH}	$I_{OH} = -4 \text{ mA}$, $V_{CC} = \text{Min}$	AS7C31026A	2.4	–	2.4	–	2.4	–	2.4	–	V
Data retention current	I_{CCDR}	$V_{CC} = 2.0V$ $\overline{CE} \geq V_{CC} - 0.2V$ $V_{IN} \geq V_{CC} - 0.2V$ or $V_{IN} \leq 0.2V$	AS7C1026A		1		1		1		5	mA
			AS7C31026A		1		1		1		5	mA

Capacitance ($f = 1\text{MHz}$, $T_a = 25 \text{ }^\circ\text{C}$, $V_{CC} = \text{NOMINAL}$)²

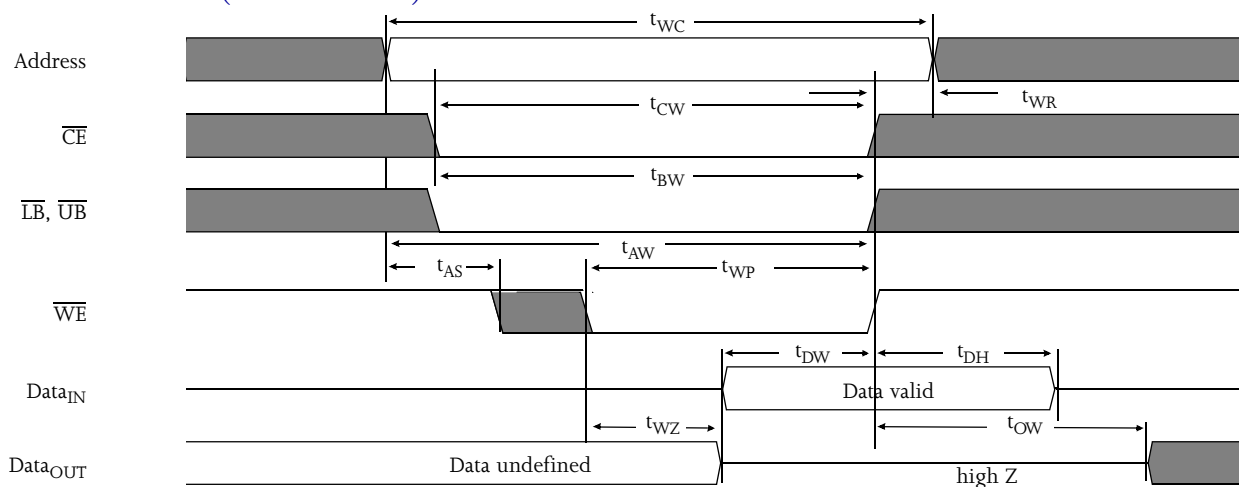
Parameter	Symbol	Signals	Test conditions	Max	Unit
Input capacitance	C_{IN}	A, \overline{CE} , \overline{WE} , \overline{OE} , \overline{LB} , \overline{UB}	$V_{IN} = 0V$	5	pF
I/O capacitance	$C_{I/O}$	I/O	$V_{IN} = V_{OUT} = 0V$	7	pF



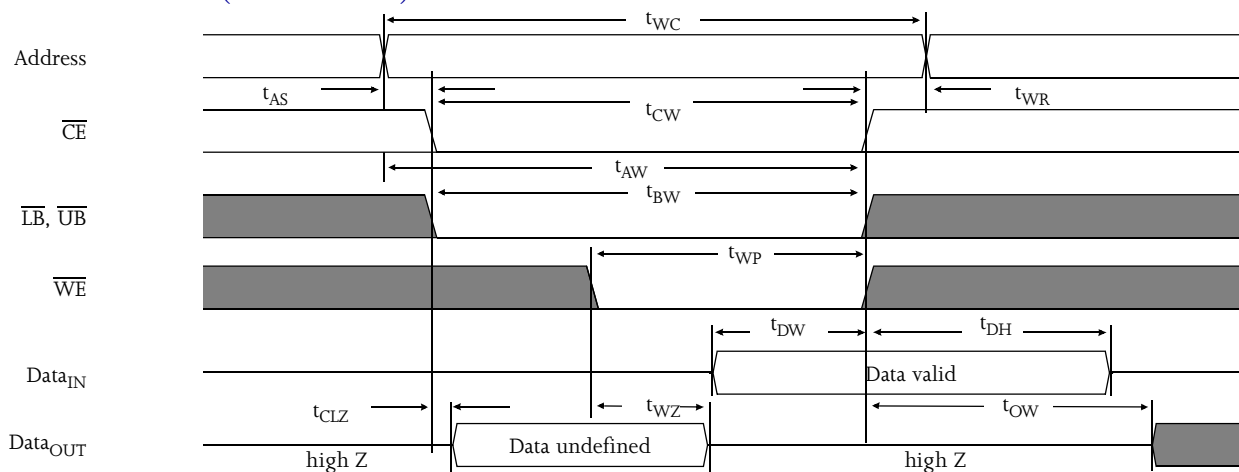
Write cycle (over the operating range) ¹¹

Parameter	Symbol	-10		-12		-15		-20		Unit	Notes
		Min	Max	Min	Max	Min	Max	Min	Max		
Write cycle time	t_{WC}	10	–	12	–	15	–	20	–	ns	
Chip enable (\overline{CE}) to write end	t_{CW}	8	–	10	–	12	–	12	–	ns	
Address setup to write end	t_{AW}	8	–	9	–	10	–	12	–	ns	
Address setup time	t_{AS}	0	–	0	–	0	–	0	–	ns	
Write pulse width	t_{WP}	7	–	8	–	9	–	12	–	ns	
Address hold from end of write	t_{AH}	0	–	0	–	0	–	0	–	ns	
Data valid to write end	t_{DW}	5	–	6	–	8	–	10	–	ns	
Data hold time	t_{DH}	0	–	0	–	0	–	0	–	ns	5
Write enable to output in high Z	t_{WZ}	–	6	–	6	–	6	–	8	ns	4, 5
Output active from write end	t_{OW}	1	–	1	–	1	–	2	–	ns	4, 5
Byte select low to end of write	t_{BW}	8	–	10	–	12	–	12	–	ns	

Write waveform 1 (\overline{WE} controlled) ^{10,11}



Write waveform 2 (\overline{CE} controlled) ^{10,11}

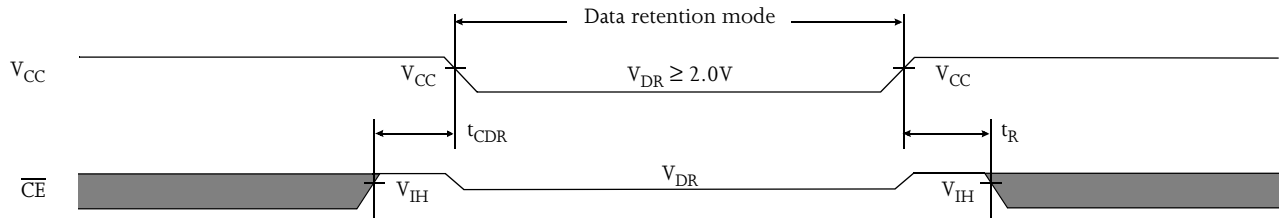




Data retention characteristics (over the operating range)

Parameter	Symbol	Test conditions	Min	Max	Unit
V_{CC} for data retention	V_{DR}	$V_{CC} = 2.0V$ $\overline{CE} \geq V_{CC} - 0.2V$ $V_{IN} \geq V_{CC} - 0.2V$ or $V_{IN} \leq 0.2V$	2.0	–	V
Data retention current	I_{CCDR}		–	1	ma
Chip deselect to data retention time	t_{CDR}		0	–	ns
Operation recovery time	t_R		t_{RC}	–	ns
Input leakage current	$ I_{LI} $		–	1	μA

Data retention waveform



AC test conditions

- Output load: see Figure B or Figure C.
- Input pulse level: GND to 3.0V. See Figure A.
- Input rise and fall times: 2 ns. See Figure A.
- Input and output timing reference levels: 1.5V.

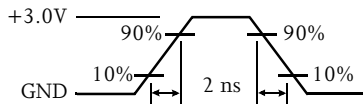


Figure A: Input pulse

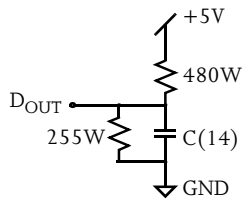


Figure B: 5V Output load

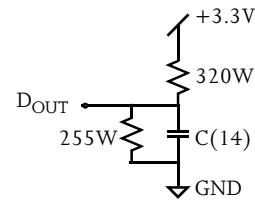
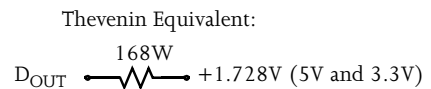


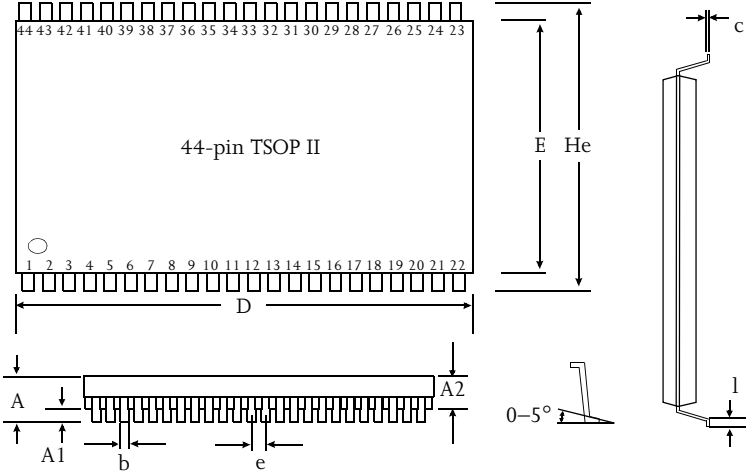
Figure C: 3.3V Output load

Notes

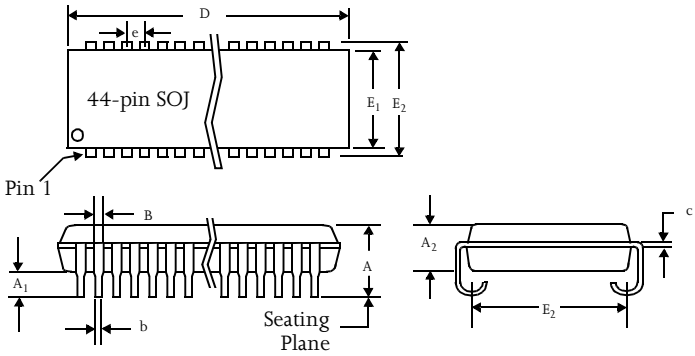
- 1 During V_{CC} power-up, a pull-up resistor to V_{CC} on \overline{CE} is required to meet I_{SB} specification.
- 2 This parameter is sampled, but not 100% tested.
- 3 For test conditions, see AC Test Conditions, Figures A, B, and C.
- 4 These parameters are specified with $C_L = 5pF$, as in Figures B or C. Transition is measured ± 500 mV from steady-state voltage.
- 5 This parameter is guaranteed, but not tested.
- 6 \overline{WE} is High for read cycle.
- 7 \overline{CE} and \overline{OE} are Low for read cycle.
- 8 Address valid prior to or coincident with \overline{CE} transition Low.
- 9 All read cycle timings are referenced from the last valid address to the first transitioning address.
- 10 \overline{CE} or \overline{WE} must be High during address transitions. Either \overline{CE} or \overline{WE} asserting high terminates a write cycle.
- 11 All write cycle timings are referenced from the last valid address to the first transitioning address.
- 12 Not applicable.
- 13 $C = 30pF$, except all high Z and low Z parameters where $C = 5pF$.



Package dimensions



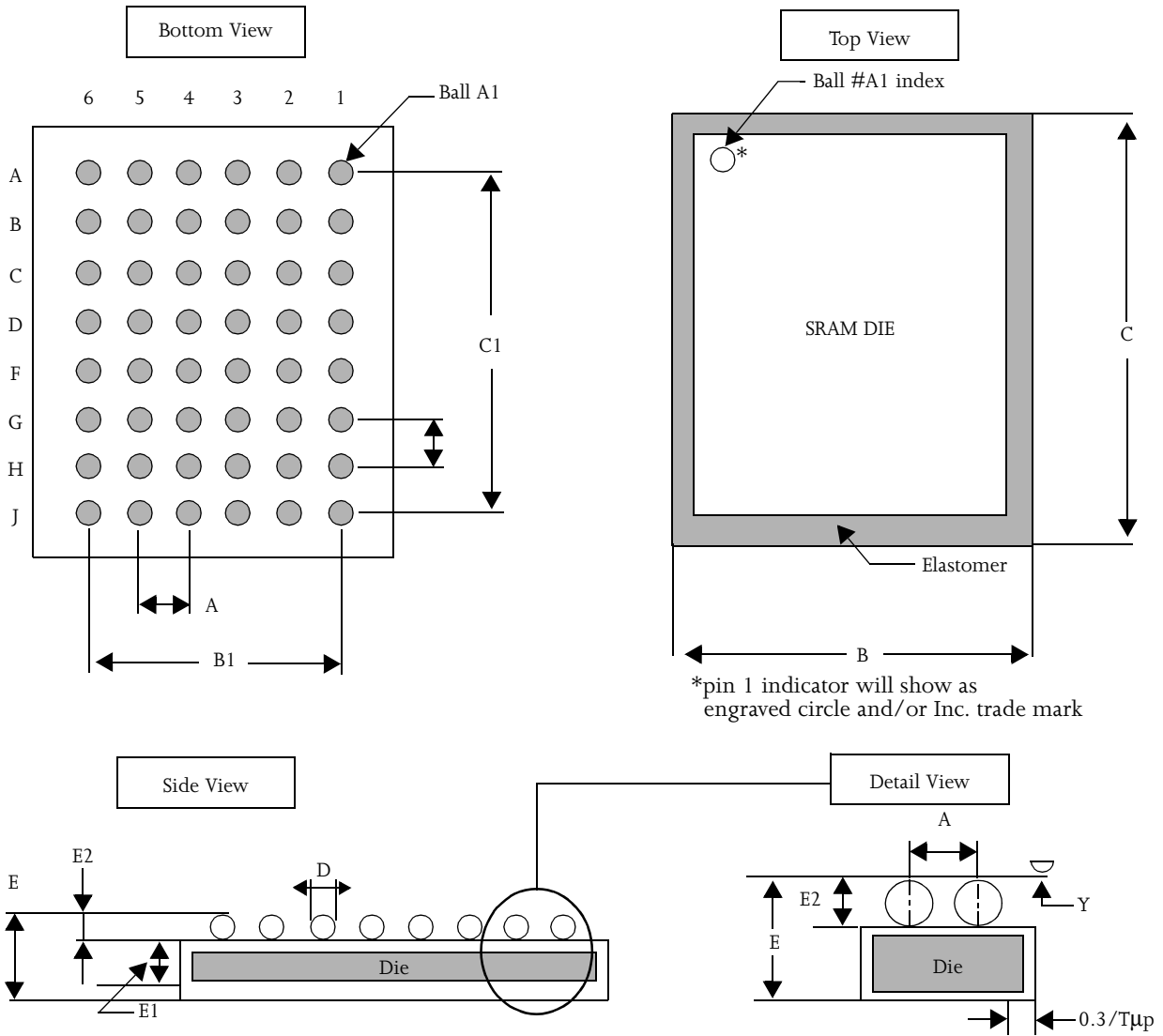
	44-pin TSOP II	
	Min (mm)	Max (mm)
A		1.2
A1	0.05	
A2	0.95	1.05
b	0.30	0.45
c	0.127 (typical)	
D	18.28	18.54
E	10.03	10.29
He	11.56	11.96
e	0.80 (typical)	
l	0.40	0.60



	44-pin SOJ 400 mil	
	Min (in)	Max (in)
A	0.128	0.148
A ₁	0.025	—
A ₂	0.105	1.115
B	0.026	0.032
b	0.015	0.020
c	0.007	0.013
D	1.120	1.130
E	0.370 NOM	
E ₁	0.395	0.405
E ₂	0.435	0.445
e	0.050 NOM	



48-ball FBGA



	Minimum	Typical	Maximum
A	–	0.75	–
B	5.90	8.00	8.10
B1	–	3.75	–
C	7.90	8.00	8.10
C1	–	5.25	–
D	–	0.35	–
E	–	–	1.20
E1	–	0.68	–
E2	0.22	0.25	0.27
Y	–	–	0.08

Notes

- 1 Bump counts: 48 (8 row x 6 column).
- 2 Pitch: (x,y) = 0.75 mm x 0.75 mm (typ).
- 3 Units: millimeters.
- 4 All tolerance are +/- 0.050 unless otherwise specified.
- 5 Typ: typical.
- 6 Y is coplanarity: 0.08 (max).



Ordering codes

Package \ Access time	Volt/Temp	10 ns	12 ns	15 ns	20 ns
Plastic SOJ, 400 mil	5V commercial	AS7C1026A-10JC	AS7C1026A-12JC	AS7C1026A-15JC	AS7C1026A-20JC
	5V industrial	AS7C1026A-10JI	AS7C1026A-12JI	AS7C1026A-15JI	AS7C1026A-20JI
	3.3V commercial	AS7C31026A-10JC	AS7C31026A-12JC	AS7C31026A-15JC	AS7C31026A-20JC
TSOP II, 18.4×10.2 mm	5V commercial	AS7C1026A-10TC	AS7C1026A-12TC	AS7C1026A-15TC	AS7C1026A-20TC
	3.3V commercial	AS7C31026A-10TC	AS7C31026A-12TC	AS7C31026A-15TC	AS7C31026A-20TC
	3.3V industrial	AS7C31026A-10TI	AS7C31026A-12TI	AS7C31026A-15TI	AS7C31026A-20TI
CSP BGA, 8×6 mm	5V commercial	AS7C1026A-10BC	AS7C1026A-12BC	AS7C1026A-15BC	AS7C1026A-20BC
	3.3V commercial	AS7C31026A-10BC	AS7C31026A-12BC	AS7C31026A-15BC	AS7C31026A-20BC
	3.3V industrial	AS7C31026A-10BI	AS7C31026A-12BI	AS7C31026A-15BI	AS7C31026A-20BI

Part numbering system

AS7C	X	1026	-XX	X	C
SRAM prefix	Blank=5V CMOS 3=3.3V CMOS	Device number	Access time	Package: J=SOJ 400 mil T=TSOP type 2, 18.4 × 10.2 mm B=CSP BGA, 8 × 6 mm	Temperature range, C= Commercial: 0° C to 70° C I= Industrial: -40° C to 85° C