



**QUICKSWITCH® PRODUCTS**  
**HIGH-SPEED CMOS**  
**QUICKSWITCH**  
**DUAL 4:1 MUX/DEMUX**

**IDTQS3253**

**FEATURES:**

- Enhanced N channel FET with no inherent diode to Vcc
- 5Ω bidirectional switches connect inputs to outputs
- Pin compatible with the 74F253, 74FCT253, and 74ALS253T
- Zero propagation delay, zero ground bounce
- Undershoot clamp diodes on all switch and control inputs
- TTL-compatible control inputs
- Available in SOIC, QSOP, and S1 packages

**APPLICATIONS:**

- Logic replacement
- Video, audio, graphics switching, muxing
- Hot-swapping, hot-docking
- Voltage translation (5V to 3.3V)
- Power conservation
- Bus funneling

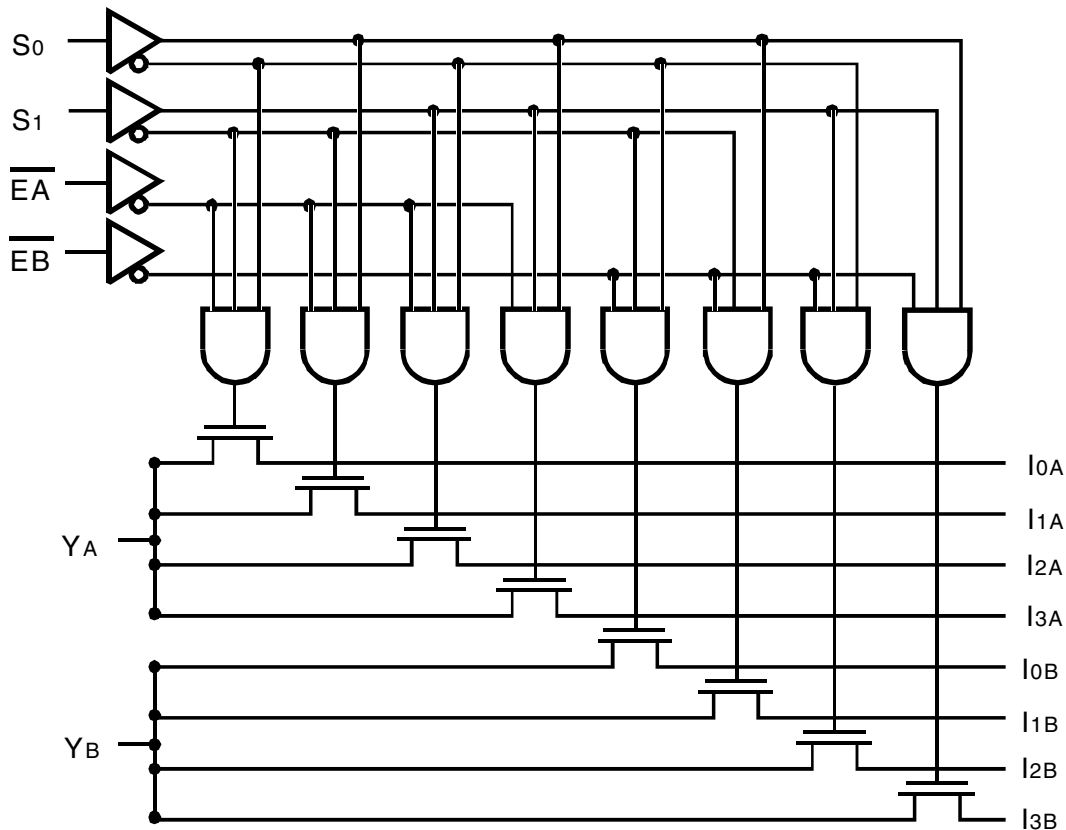
**DESCRIPTION:**

The QS3253 is a high-speed CMOS TTL-compatible dual 4:1 multiplexer/demultiplexer with 3-state outputs. The QS3253 is function and pinout compatible version of the 74F253, 74FCT253, and the 74ALS/AS/LS253 dual 4:1 multiplexers. The low ON resistance of the QS3253 allows inputs to be connected to outputs without adding propagation delay and without generating additional ground bounce noise.

Mux/Demux devices provide an order of magnitude faster speed than equivalent logic devices.

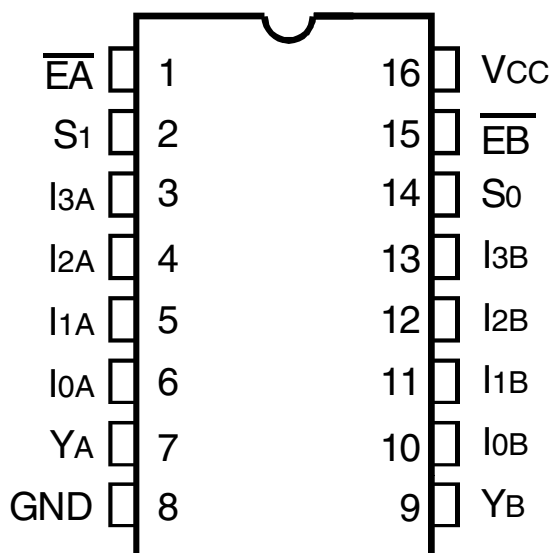
The QS3253 is characterized for operation at -40°C to +85°C.

**FUNCTIONAL BLOCK DIAGRAM**



The IDT logo is a registered trademark of Integrated Device Technology, Inc.

## PIN CONFIGURATION



SOIC/ QSOP/ S1  
TOP VIEW

## ABSOLUTE MAXIMUM RATINGS<sup>(1)</sup>

| Symbol               | Description                                       | Max         | Unit |
|----------------------|---|-------------|------|
| VTERM <sup>(2)</sup> | Supply Voltage to Ground                          | -0.5 to +7  | V    |
| VTERM <sup>(3)</sup> | DC Switch Voltage V <sub>s</sub>                  | -0.5 to +7  | V    |
| VTERM <sup>(3)</sup> | DC Input Voltage V <sub>IN</sub>                  | -0.5 to +7  | V    |
| VAC                  | AC Input Voltage (pulse width ≤ 20ns)             | -3          | V    |
| I <sub>OUT</sub>     | DC Output Current                                 | 120         | mA   |
| P <sub>MAX</sub>     | Maximum Power Dissipation (T <sub>A</sub> = 85°C) | 0.5         | W    |
| T <sub>STG</sub>     | Storage Temperature                               | -65 to +150 | °C   |

### NOTE:

- Stresses greater than those listed under ABSOLUTE MAXIMUM RATINGS may cause permanent damage to the device. This is a stress rating only and functional operation of the device at these or any other conditions above those indicated in the operational sections of this specification is not implied. Exposure to absolute maximum rating conditions for extended periods may affect reliability.
- V<sub>CC</sub> terminals.
- All terminals except V<sub>CC</sub>.

## CAPACITANCE (T<sub>A</sub> = +25°C, f = 1MHz, V<sub>IN</sub> = 0V, V<sub>OUT</sub> = 0V)

| Pins                                 |       | Typ. | Max. <sup>(1)</sup> | Unit |
|--------------------------------------|-------|------|---------------------|------|
| Control Inputs                       |       | 4    | 5                   | pF   |
| Quickswitch Channels<br>(Switch OFF) | Demux | 5    | 7                   | pF   |
|                                      | Mux   | 14   | 16                  |      |

### NOTE:

- This parameter is guaranteed but not production tested.

## PIN DESCRIPTION

| Pin Names                         | I/O | Description   |
|-----------------------------------|-----|---------------|
| I <sub>xx</sub>                   | I   | Data Inputs   |
| S <sub>0</sub> - S <sub>2</sub>   | I   | Select Inputs |
| $\overline{EA}$ , $\overline{EB}$ | I   | Enable Input  |
| YA, YB                            | O   | Data Output   |

## FUNCTION TABLE<sup>(1)</sup>

| Enable          |                 | Select         |                | Outputs         |                 | Function             |
|-----------------|-----------------|----------------|----------------|-----------------|-----------------|----------------------|
| $\overline{EA}$ | $\overline{EB}$ | S <sub>1</sub> | S <sub>0</sub> | YA              | YB              |                      |
| H               | X               | X              | X              | Hi-Z            | X               | Disconnected         |
| X               | H               | X              | X              | X               | Hi-Z            | Disconnected         |
| L               | L               | L              | L              | I <sub>0A</sub> | I <sub>0B</sub> | S <sub>1-0</sub> = 0 |
| L               | L               | L              | H              | I <sub>1A</sub> | I <sub>1B</sub> | S <sub>1-0</sub> = 1 |
| L               | L               | H              | L              | I <sub>2A</sub> | I <sub>2B</sub> | S <sub>1-0</sub> = 2 |
| L               | L               | H              | H              | I <sub>3A</sub> | I <sub>3B</sub> | S <sub>1-0</sub> = 3 |

### NOTE:

- H = HIGH Voltage Level  
L = LOW Voltage Level  
X = Don't Care  
Z = High-Impedence

## DC ELECTRICAL CHARACTERISTICS OVER OPERATING RANGE

Following Conditions Apply Unless Otherwise Specified:

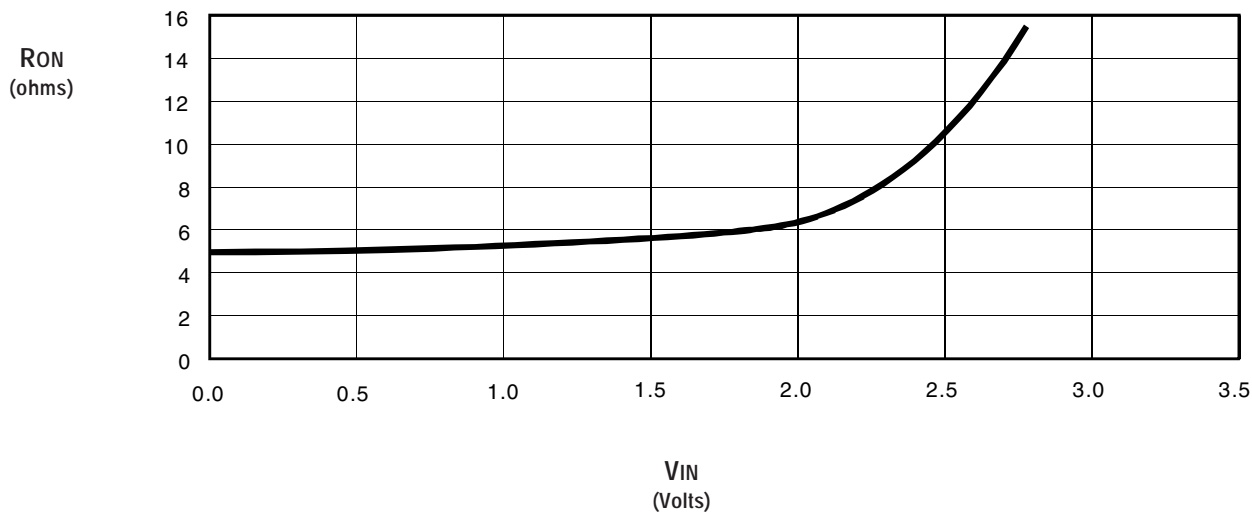
Industrial:  $T_A = -40^{\circ}\text{C}$  to  $+85^{\circ}\text{C}$ ,  $V_{CC} = 5.0\text{V} \pm 5\%$

| Symbol   | Parameter                              | Test Conditions  | Min. | Typ. <sup>(1)</sup> | Max.    | Unit          |
|----------|--|--|------|---------------------|---------|---------------|
| $V_{IH}$ | Input HIGH Level                       | Guaranteed Logic HIGH for Control Pins                             | 2    | —                   | —       | V             |
| $V_{IL}$ | Input LOW Level                        | Guaranteed Logic LOW for Control Pins                              | —    | —                   | 0.8     | V             |
| $I_{IN}$ | Input Leakage Current (Control Inputs) | $0\text{V} \leq V_{IN} \leq V_{CC}$                                | —    | —                   | $\pm 1$ | $\mu\text{A}$ |
| $I_{OZ}$ | Off-State Output Current (Hi-Z)        | $0\text{V} \leq V_{OUT} \leq V_{CC}$                               | —    | —                   | $\pm 1$ | $\mu\text{A}$ |
| RON      | Switch ON Resistance                   | $V_{CC} = \text{Min.}, V_{IN} = 0\text{V}, I_{ON} = 30\text{mA}$   | —    | 5                   | 7       | $\Omega$      |
|          |  | $V_{CC} = \text{Min.}, V_{IN} = 2.4\text{V}, I_{ON} = 15\text{mA}$ | —    | 10                  | 15      |               |
| VP       | Pass Voltage <sup>(2)</sup>            | $V_{IN} = V_{CC} = 5\text{V}, I_{OUT} = -5\mu\text{A}$             | 3.7  | 4                   | 4.2     | V             |

**NOTES:**

1. Typical values are at  $V_{CC} = 5.0\text{V}$ ,  $T_A = 25^{\circ}\text{C}$ .
2. Pass Voltage is guaranteed but not production tested.

### TYPICAL ON RESISTANCE VS $V_{IN}$ AT $V_{CC} = 5\text{V}$



## POWER SUPPLY CHARACTERISTICS

| Symbol           | Parameter  | Test Conditions <sup>(1)</sup>   | Max. | Unit   |
|------------------|--|--|------|--------|
| I <sub>CCQ</sub> | Quiescent Power Supply Current                             | V <sub>CC</sub> = Max., V <sub>IN</sub> = GND or V <sub>CC</sub> , f = 0               | 3    | μA     |
| ΔI <sub>CC</sub> | Power Supply Current per Control Input HIGH <sup>(2)</sup> | V <sub>CC</sub> = Max., V <sub>IN</sub> = 3.4V, f = 0                                  | 1.5  | mA     |
| I <sub>CCD</sub> | Dynamic Power Supply Current per MHz <sup>(3)</sup>        | V <sub>CC</sub> = Max., I and Y pins open<br>Control Inputs Toggling at 50% Duty Cycle | 0.25 | mA/MHz |

### NOTES:

- For conditions shown as Min. or Max., use the appropriate values specified under DC Electrical Characteristics.
- Per TLL driven input (V<sub>IN</sub> = 3.4V, control inputs only). I and Y pins do not contribute to ΔI<sub>CC</sub>.
- This current applies to the control inputs only and represents the current required to switch internal capacitance at the specified frequency. The I and Y inputs generate no significant AC or DC currents as they transition. This parameter is guaranteed but not production tested.

## SWITCHING CHARACTERISTICS OVER OPERATING RANGE

T<sub>A</sub> = -40°C to +85°C, V<sub>CC</sub> = 5.0V ± 5%;

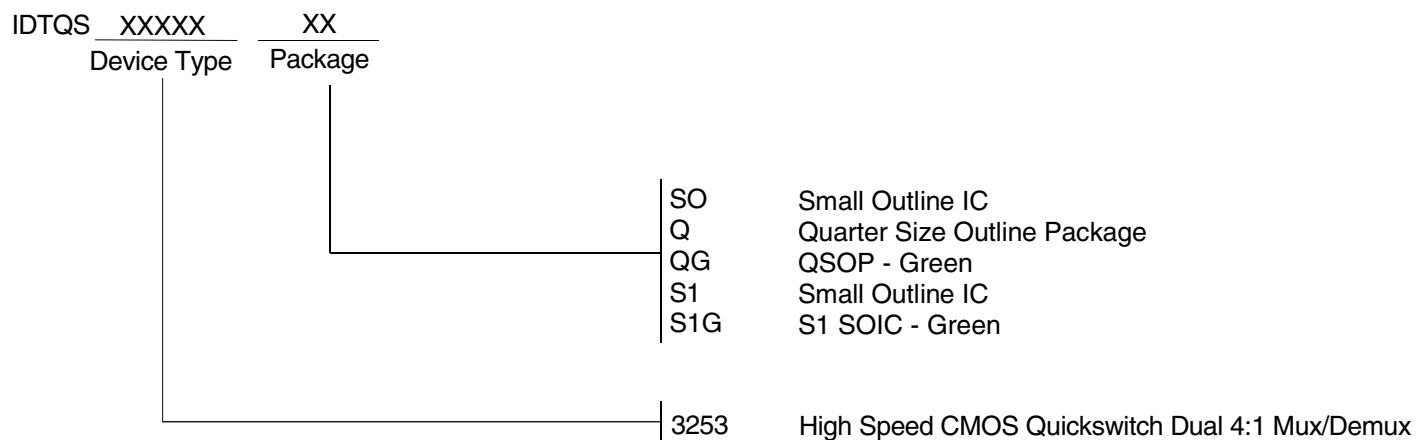
C<sub>LOAD</sub> = 50pF, R<sub>LOAD</sub> = 500Ω unless otherwise noted.

| Symbol           | Parameter                               | Min. <sup>(1)</sup> | Typ. | Max. | Unit |
|------------------|---|---------------------|------|------|------|
| t <sub>PLH</sub> | Data Propagation Delay <sup>(2,3)</sup> | —                   | —    | 0.25 | ns   |
| t <sub>PHL</sub> | I <sub>x</sub> to Y                     | —                   | —    | —    | —    |
| t <sub>PZL</sub> | Switch Turn-on Delay                    | 0.5                 | —    | 6.6  | ns   |
| t <sub>PZH</sub> | S <sub>x</sub> to Y                     | —                   | —    | —    | —    |
| t <sub>PZL</sub> | Switch Turn-on Delay                    | 0.5                 | —    | 6    | ns   |
| t <sub>PZH</sub> | $\bar{E}_x$ to Y                        | —                   | —    | —    | —    |
| t <sub>PLZ</sub> | Switch Turn-off Delay <sup>(2)</sup>    | 0.5                 | —    | 6    | ns   |
| t <sub>PHZ</sub> | $\bar{E}_x$ to Y, S <sub>x</sub> to Y   | —                   | —    | —    | —    |

### NOTES:

- Minimums are guaranteed but not production tested.
- This parameter is guaranteed but not production tested.
- The bus switch contributes no propagation delay other than the RC delay of the ON resistance of the switch and the load capacitance. The time constant for the switch alone is of the order of 0.25ns for C<sub>L</sub> = 50pF. Since this time constant is much smaller than the rise and fall times of typical driving signals, it adds very little propagation delay to the system. Propagation delay of the bus switch, when used in a system, is determined by the driving circuit on the driving side of the switch and its interaction with the load on the driven side.

## ORDERING INFORMATION



**CORPORATE HEADQUARTERS**  
2975 Stender Way  
Santa Clara, CA 95054

**for SALES:**  
800-345-7015 or 408-727-6116  
fax: 408-492-8674  
www.idt.com

**for Tech Support:**  
logichelp@idt.com  
(408) 654-6459