

SURFACE MOUNT SWITCHING DIODES

VOLTAGE 100 Volts **POWER** 410 - 500 mW

FEATURES

- Fast switching Speed
- Electrically Identical to Standard JEDEC
- High Conductance
- Surface Mount Package Ideally Suited for Automatic Insertion
- Flat package SOD-123 in stead mini-MELF package.

MECHANICAL DATA

Case: SOD-123, Plastic

Terminals: Solderable per MIL-STD-202, Method 208

Approx. Weight:0.01 gram



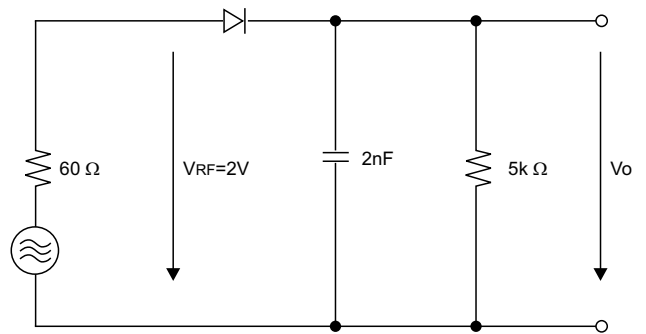
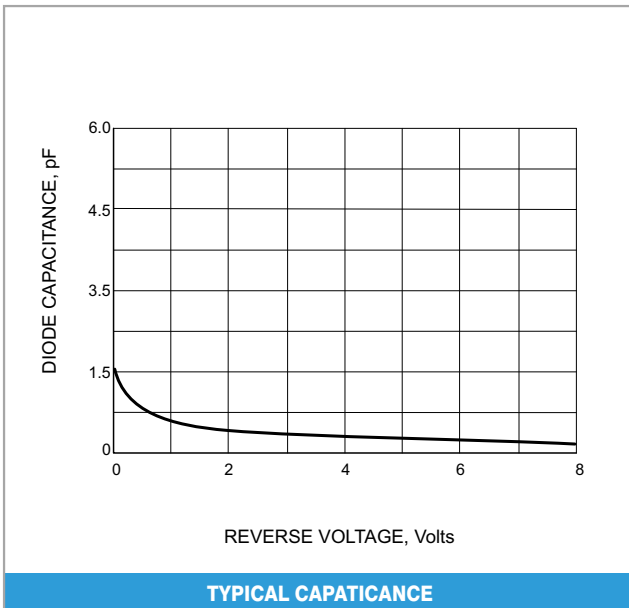
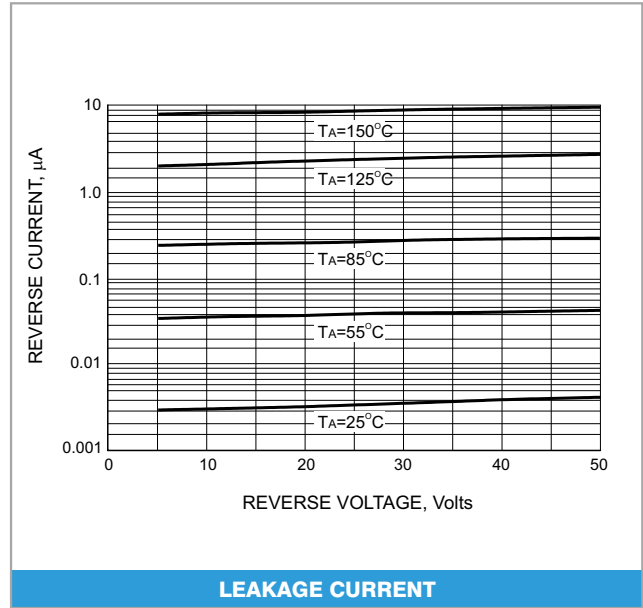
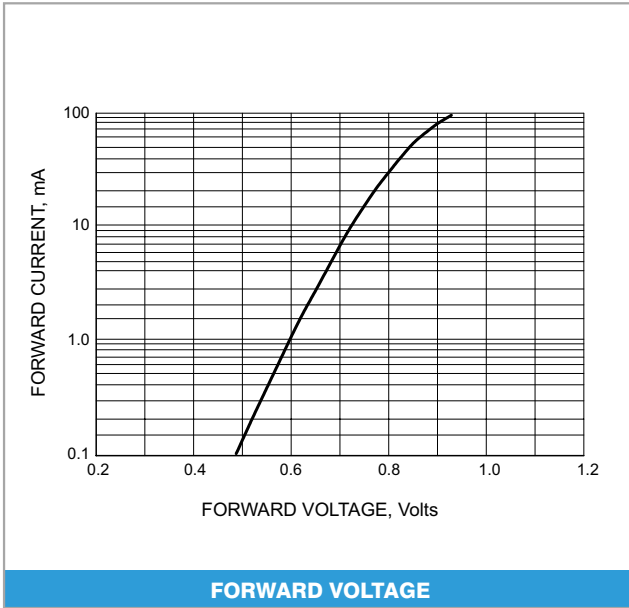
MAXIMUM RATINGS AND ELECTRICAL CHARACTERISTICS

PARAMETER	SYMBOL	1N4148W	1N4448W	UNITS
Reverse Voltage	V_R	75	75	V
Peak Reverse Voltage	V_{RM}	100	100	V
Maximum RMS Voltage	V_{RMS}	50	50	V
Maximum DC Blocking Voltage	V_{DC}	75	75	V
Maximum Average Forward Current at $T_a=25^{\circ}C$	I_{AV}	150	150	mA
Peak Forward Surge Current, 8.3ms single half sine-wave superimposed on rated load (JEDEC method)	I_{FSM}	2.0	4.0	A
Power Dissipation Derate Above $25^{\circ}C$	P_{TOT}	410	500	mW
Maximum Forward Voltage @ $I_F=10\text{ mA}$ @ $I_F=5\text{ mA}$	V_F	1.0 -	1.0 0.72	V
Maximum DC Reverse Current at Rated DC Blocking Voltage $T_J= 25^{\circ}C$	I_R	2.5	2.5	μA
Typical Junction Capacitance(Notes1)	C_J	4.0	4.0	pF
Maximum Reverse Recovery (Notes2)	T_{RR}	4.0	4.0	ns
Maximum Thermal Resistance	$R_{\theta JA}$	450	450	$^{\circ}C / W$
Storage Temperature Range	T_J	-55 TO +125		$^{\circ}C$

NOTE:

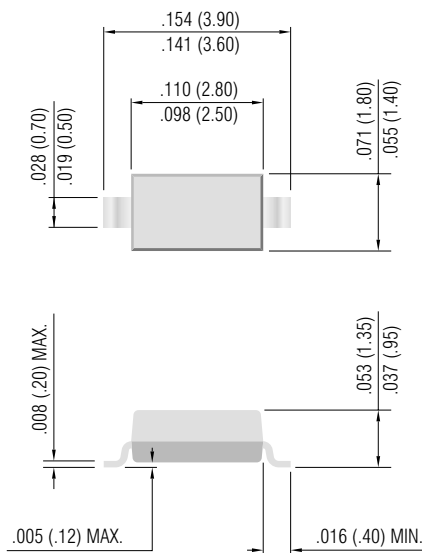
1. C_J at $V_R=0$, $f=1\text{MHZ}$

2.From $I_F=10\text{mA}$ to $I_R=1\text{mA}$, $V_R=6\text{Volts}$, $R_L=100\Omega$



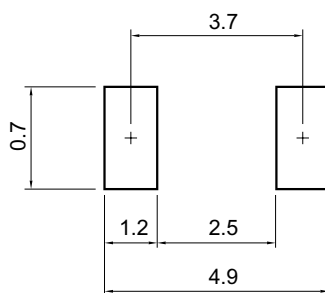
RECTIFICATION EFFCENCY MEASUREMENT CIRCUIT

SOD-123



Dimensions in inches and (millimeters)

Suggested Mounting Pad Layout



Dimensions in (millimeters)

© Copyright Panjit International Inc. 2001

All rights are reserved. Reproduction in whole or in part is prohibited without the prior written consent of the copyright owner.

The information presented in this document does not form part of any quotation or contract, is believed to be accurate and reliable and may be changed without notice. No liability will be accepted by the publisher for any consequence of its use.

Publication thereof does not convey nor imply any license under patent or other industrial or intellectual property rights.

PanJit International Inc.

TEL:886-7-6213121 Fax:886-7-6213129 Internet: <http://www.panjit.com.tw> email: sales@panjit.com.tw