

APA3010PYC PURE YELLOW

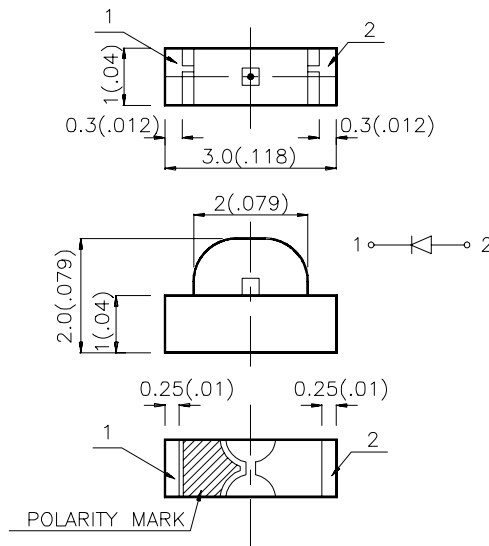
Features

- 3.0mmx1.0mm SMT LED, 2.0mm THICKNESS.
- LOW POWER CONSUMPTION.
- WIDE VIEWING ANGLE.
- IDEAL FOR BACKLIGHT AND INDICATOR.
- VARIOUS COLORS AND LENS TYPES AVAILABLE.
- PACKAGE : 2000PCS / REEL.

Description

The Pure Yellow source color devices are made with Gallium Arsenide Phosphide on Gallium Phosphide Yellow Light Emitting Diode.

Package Dimensions



Notes:

1. All dimensions are in millimeters (inches).
2. Tolerance is $\pm 0.15(0.006)$ unless otherwise noted.
3. Lead spacing is measured where the lead emerge package.
4. Specifications are subject to change without notice.

Selection Guide

| Part No. | Dice | Lens Type | Iv (mcd) @ 20 mA | | Viewing Angle |
|------------|-------------------------|-------------|---------------------|------|------------------|
| | | | Min. | Typ. | 2θ1/2 |
| APA3010PYC | PURE YELLOW (GaAsP/GaP) | WATER CLEAR | 3 | 5 | 120° |

Note:

1. θ1/2 is the angle from optical centerline where the luminous intensity is 1/2 the optical centerline value.

Electrical / Optical Characteristics at T_A=25°C

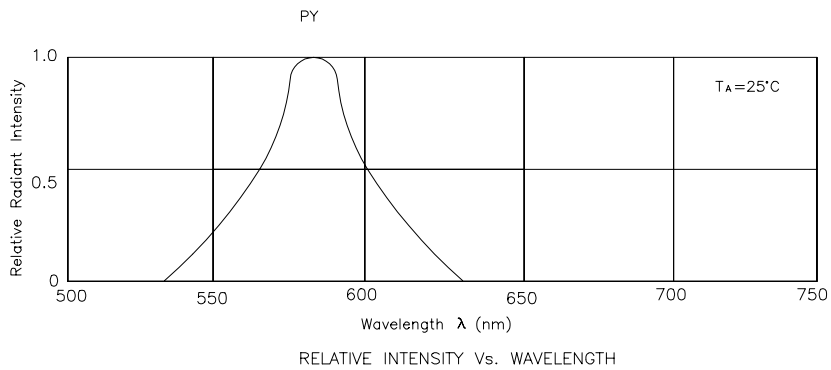
| Symbol | Parameter | Device | Typ. | Max. | Units | Test Conditions |
|-------------------|-------------------------|-------------|------|------|-------|---------------------------|
| λ _{peak} | Peak Wavelength | Pure Yellow | 583 | | nm | IF=20mA |
| λ _D | Dominate Wavelength | Pure Yellow | 585 | | nm | IF=20mA |
| Δλ _{1/2} | Spectral Line Halfwidth | Pure Yellow | 35 | | nm | IF=20mA |
| C | Capacitance | Pure Yellow | 55 | | pF | V _F =0V;f=1MHz |
| V _F | Forward Voltage | Pure Yellow | 2.1 | 2.5 | V | IF=20mA |
| I _R | Reverse Current | Pure Yellow | | 10 | μA | V _R = 5V |

Absolute Maximum Ratings at T_A=25°C

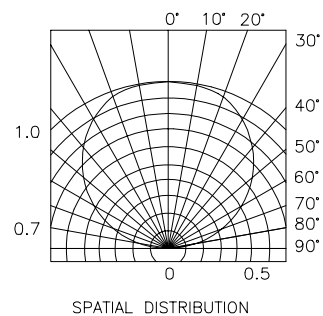
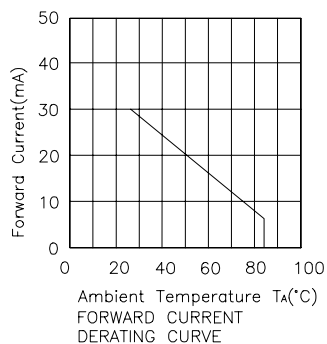
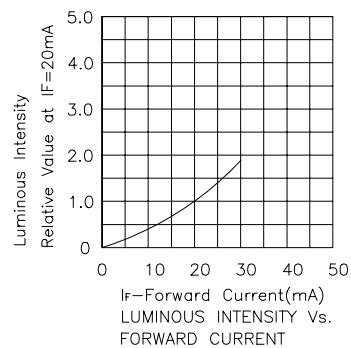
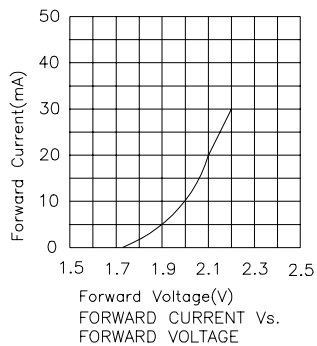
| Parameter | Pure Yellow | Units |
|-------------------------------|----------------|-------|
| Power dissipation | 105 | mW |
| DC Forward Current | 30 | mA |
| Peak Forward Current [1] | 140 | mA |
| Reverse Voltage | 5 | V |
| Operating/Storage Temperature | -40°C To +85°C | |

Note:

1. 1/10 Duty Cycle, 0.1ms Pulse Width.

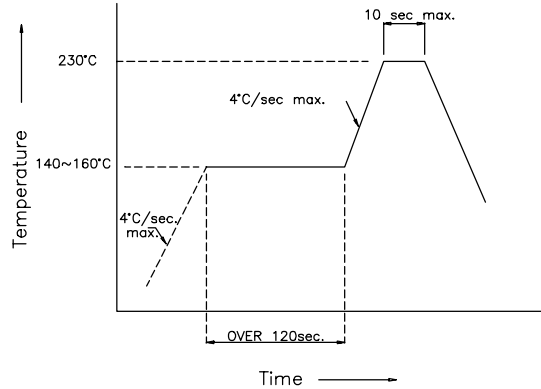


Pure Yellow APA3010PYC

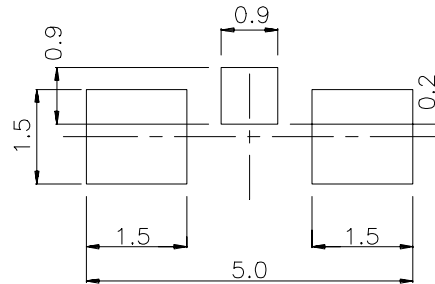


APA3010PYC SMT Reflow Soldering Instructions

Number of reflow process shall be less than 2 times and cooling process to normal temperature is required between first and second soldering process.



Recommended Soldering Pattern (Units : mm)



Tape Specifications (Units : mm)

