



# SRA1620 THRU SRA1660

## 16.0 AMPS. Schottky Barrier Rectifiers



Voltage Range  
20 to 60 Volts  
Current  
16.0 Amperes

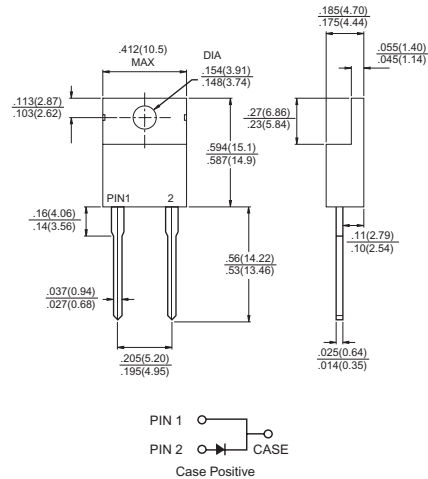
### Features

- ✧ Low forward voltage drop
- ✧ High current capability
- ✧ High reliability
- ✧ High surge current capability

### Mechanical Data

- ✧ Cases: TO-220A molded plastic
- ✧ Epoxy: UL 94V-O rate flame retardant
- ✧ Terminals: Leads solderable per MIL-STD-202, Method 208 guaranteed
- ✧ Polarity: As marked
- ✧ High temperature soldering guaranteed: 260°C/10 seconds.25", (6.35mm) from case.
- ✧ Weight: 2.24 grams

### TO-220A



**Dimensions in inches and (millimeters)**

### Maximum Ratings and Electrical Characteristics

Rating at 25°C ambient temperature unless otherwise specified.

Single phase, half wave, 60 Hz, resistive or inductive load.

For capacitive load, derate current by 20%

Type Number	Symbol	SR 1620	SRA 1630	SRA 1640	SRA 1650	SRA 1660	Units
Maximum Recurrent Peak Reverse Voltage	$V_{RRM}$	20	30	40	50	60	V
Maximum RMS Voltage	$V_{RMS}$	14	21	28	35	42	V
Maximum DC Blocking Voltage	$V_{DC}$	20	30	40	50	60	V
Maximum Average Forward Rectified Current See Fig. 1	$I_{(AV)}$	16.0					A
Peak Forward Surge Current, 8.3 ms Single Half Sine-wave Superimposed on Rated Load (JEDEC method)	$I_{FSM}$	275					A
Maximum Instantaneous Forward Voltage @ 16.0A	$V_F$	0.55		0.70			V
Maximum D.C. Reverse Current @ $T_c=25^\circ\text{C}$ at Rated DC Blocking Voltage @ $T_c=100^\circ\text{C}$	$I_R$	1.0 50					mA mA
Typical Thermal Resistance (Note 1)	$R\theta_{JC}$	5.0					°C/W
Typical Junction Capacitance (Note 2)	$C_j$	700			550		pF
Operating Junction Temperature Range	$T_J$	-65 to +125			-65 to +150		°C
Storage Temperature Range	$T_{STG}$	-65 to +150					°C

Notes: 1. Mounted on Heatsink Size of 2 in x 3 in x 0.25 in Al-Plate.

2. Measured at 1MHz and Applied Reverse Voltage of 4.0V D.C.

## RATINGS AND CHARACTERISTIC CURVES (SRA1620 THRU SRA1660)

FIG.1- MAXIMUM FORWARD CURRENT DERATING CURVE

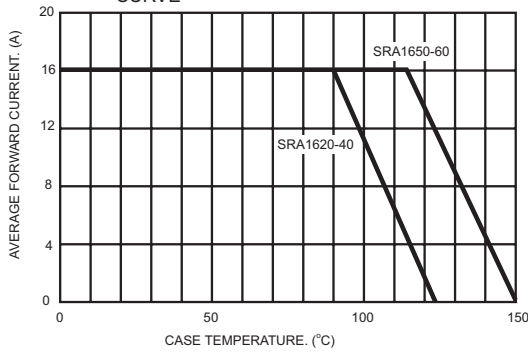


FIG.2- TYPICAL REVERSE CHARACTERISTICS

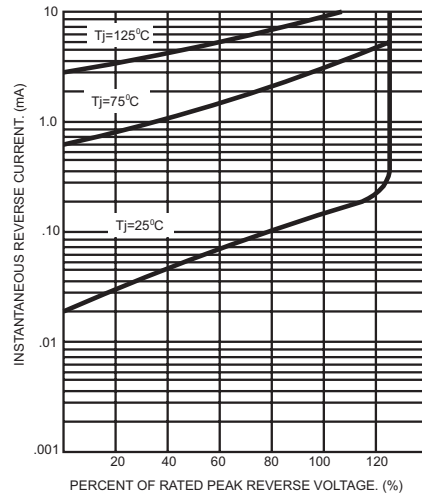


FIG.3- MAXIMUM NON-REPETITIVE FORWARD SURGE CURRENT

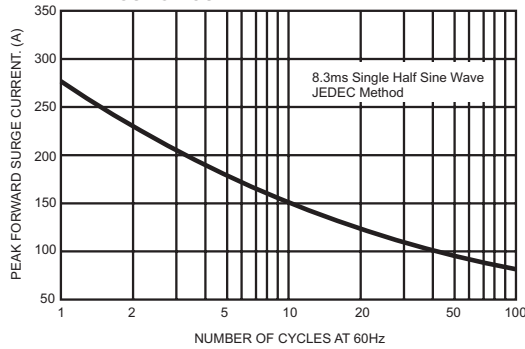


FIG.5- TYPICAL FORWARD CHARACTERISTICS

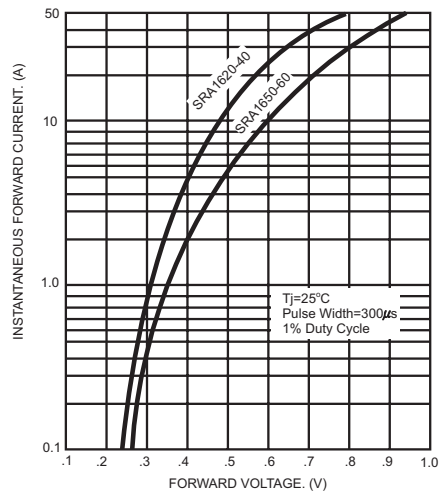


FIG.4- TYPICAL JUNCTION CAPACITANCE

