

## SILICON NPN TRANSISTORS

- STMicroelectronics PREFERRED SALESTYPES
- NPN TRANSISTOR

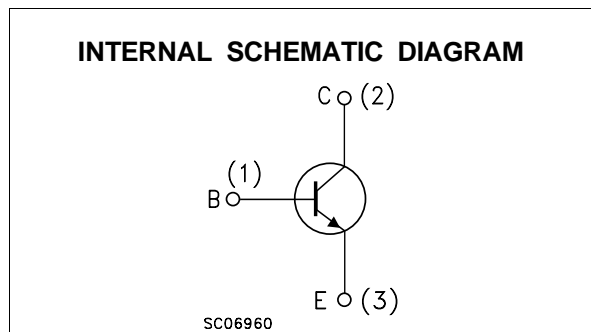
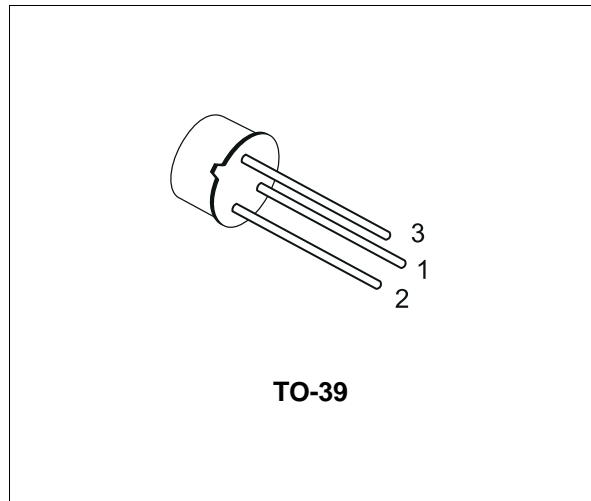
### APPLICATIONS

- GENERAL PURPOSE SWITCHING
- GENERAL PURPOSE AMPLIFIERS

### DESCRIPTION

The 2N5681, 2N5682 are high voltage silicon epitaxial planar NPN transistors in Jedec TO-39 metal case intended for use as drivers for high power transistors in general purpose, amplifier and switching applications.

The 2N5682 complementary PNP type is 2N5680.



### ABSOLUTE MAXIMUM RATINGS

Symbol	Parameter	Value		Unit
		2N5681	2N5682	
$V_{CBO}$	Collector-Base Voltage ( $I_E = 0$ )	100	120	V
$V_{CEO}$	Collector-Emitter Voltage ( $I_B = 0$ )	100	120	V
$V_{EBO}$	Emitter-Base Voltage ( $I_C = 0$ )	4		V
$I_C$	Collector Current	1		A
$I_B$	Base Current	0.5		A
$P_{tot}$	Total Dissipation at $T_c \leq 25\text{ }^\circ\text{C}$	10		W
$P_{tot}$	Total Dissipation at $T_{amb} \leq 50\text{ }^\circ\text{C}$	1		W
$T_{stg}$	Storage Temperature	-65 to 200		$^\circ\text{C}$
$T_j$	Max. Operating Junction Temperature	200		$^\circ\text{C}$

## 2N5681 / 2N5682

### THERMAL DATA

R <sub>thj-case</sub>	Thermal Resistance Junction-case	Max	17.5	°C/W
R <sub>thj-amb</sub>	Thermal Resistance Junction-ambient	Max	175	°C/W

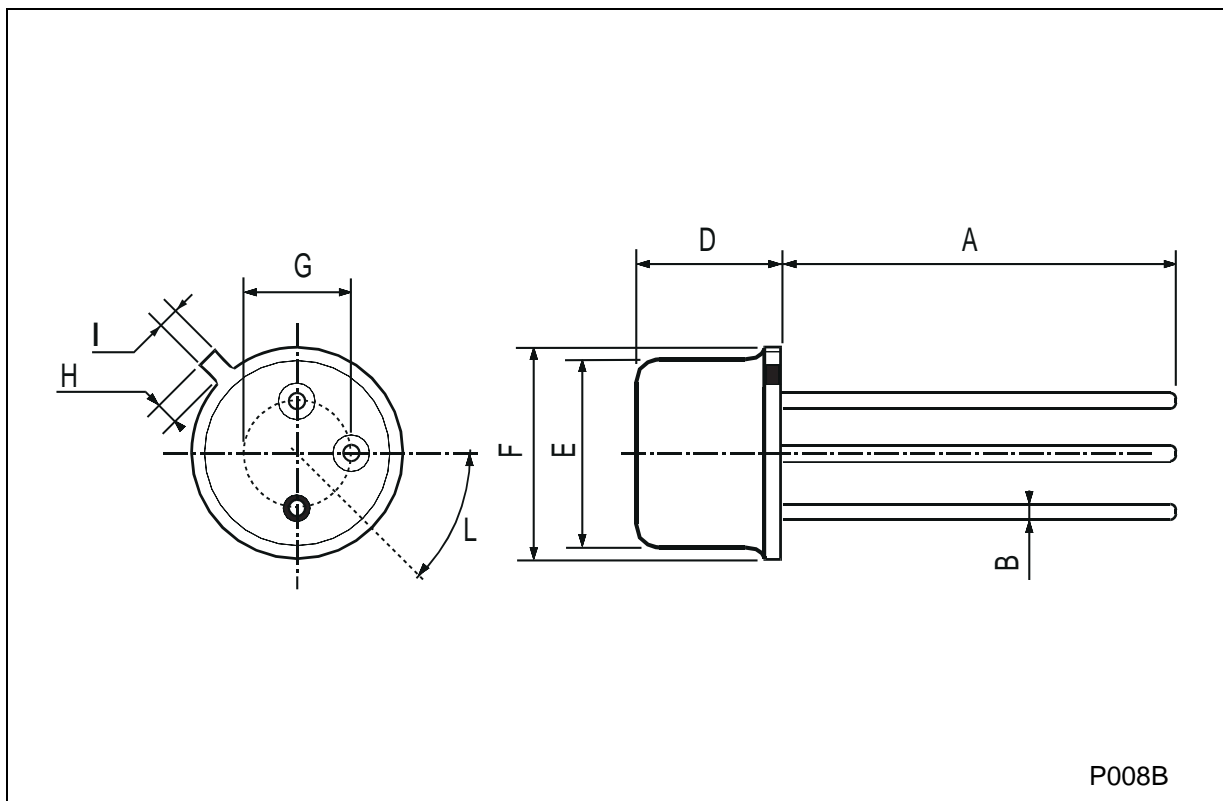
### ELECTRICAL CHARACTERISTICS (T<sub>case</sub> = 25 °C unless otherwise specified)

Symbol	Parameter	Test Conditions	Min.	Typ.	Max.	Unit
I <sub>CEV</sub>	Collector Cut-off Current (V <sub>BE</sub> = -1.5V)	for <b>2N5681</b> V <sub>CE</sub> = 100 V for <b>2N5682</b> V <sub>CE</sub> = 120 V T <sub>c</sub> = 150 °C for <b>2N5681</b> V <sub>CE</sub> = 100 V for <b>2N5682</b> V <sub>CE</sub> = 120 V			1 1 1 1	μA μA μA μA
I <sub>CBO</sub>	Collector Cut-off Current (I <sub>E</sub> = 0)	for <b>2N5681</b> V <sub>CB</sub> = 100 V for <b>2N5682</b> V <sub>CB</sub> = 120 V			1 1	μA μA
I <sub>CEO</sub>	Collector Cut-off Current (I <sub>B</sub> = 0)	for <b>2N5681</b> V <sub>CB</sub> = 70 V for <b>2N5682</b> V <sub>CB</sub> = 80 V			10 10	μA μA
I <sub>EBO</sub>	Emitter Cut-off Current (I <sub>C</sub> = 0)	V <sub>EB</sub> = 4 V			1	μA
V <sub>CEO(sus)*</sub>	Collector-Emitter Sustaining Voltage	I <sub>C</sub> = 10 mA for <b>2N5681</b> for <b>2N5682</b>	100 120			V V
V <sub>CE(sat)*</sub>	Collector-Emitter Saturation Voltage	I <sub>C</sub> = 250 mA I <sub>B</sub> = 25 mA I <sub>C</sub> = 500 mA I <sub>B</sub> = 50 mA I <sub>C</sub> = 1 A I <sub>B</sub> = 200 mA			0.6 1 2	V V V
V <sub>BE*</sub>	Base-Emitter Voltage	I <sub>C</sub> = 250 mA V <sub>CE</sub> = 2 V			1	V
h <sub>FE*</sub>	DC Current Gain	I <sub>C</sub> = 250 mA V <sub>CE</sub> = 2 V I <sub>C</sub> = 1 A V <sub>CE</sub> = 2 V	40 5		150	
h <sub>fe</sub>	Small Signal Current Gain	I <sub>C</sub> = 0.2 A V <sub>CE</sub> = 1.5 V f = 1KHz	40			
f <sub>T</sub>	Transition frequency	I <sub>C</sub> = 100 mA V <sub>CE</sub> = 10 V f = 10MHz	30			MHz
C <sub>CBO</sub>	Collector Base Capacitance	I <sub>E</sub> = 0 V <sub>CB</sub> = 20 V f = 1MHz			50	pF

\* Pulsed: Pulse duration = 300 μs, duty cycle 1.5 %

## TO-39 MECHANICAL DATA

DIM.	mm			inch		
	MIN.	TYP.	MAX.	MIN.	TYP.	MAX.
A	12.7			0.500		
B			0.49			0.019
D			6.6			0.260
E			8.5			0.334
F			9.4			0.370
G	5.08			0.200		
H			1.2			0.047
I			0.9			0.035
L	45° (typ.)					



Information furnished is believed to be accurate and reliable. However, STMicroelectronics assumes no responsibility for the consequences of use of such information nor for any infringement of patents or other rights of third parties which may result from its use. No license is granted by implication or otherwise under any patent or patent rights of STMicroelectronics. Specification mentioned in this publication are subject to change without notice. This publication supersedes and replaces all information previously supplied. STMicroelectronics products are not authorized for use as critical components in life support devices or systems without express written approval of STMicroelectronics.

The ST logo is a trademark of STMicroelectronics

© 2000 STMicroelectronics – Printed in Italy – All Rights Reserved

STMicroelectronics GROUP OF COMPANIES

Australia - Brazil - China - Finland - France - Germany - Hong Kong - India - Italy - Japan - Malaysia - Malta - Morocco - Singapore - Spain - Sweden - Switzerland - United Kingdom - U.S.A.

<http://www.st.com>