

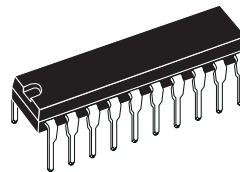


L4972A L4972AD

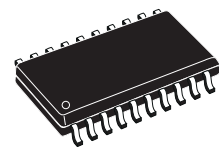
2A SWITCHING REGULATOR

- 2A OUTPUT CURRENT
- 5.1V TO 40V OUTPUT VOLTAGE RANGE
- 0 TO 90% DUTY CYCLE RANGE
- INTERNAL FEED-FORWARD LINE REG.
- INTERNAL CURRENT LIMITING
- PRECISE 5.1V \pm 2% ON CHIP REFERENCE
- RESET AND POWER FAIL FUNCTIONS
- INPUT/OUTPUT SYNC PIN
- UNDER VOLTAGE LOCK OUT WITH HYS-TERETIC TURN-ON
- PWM LATCH FOR SINGLE PULSE PER PE-RIOD
- VERY HIGH EFFICIENCY
- SWITCHING FREQUENCY UP TO 200KHZ
- THERMAL SHUTDOWN
- CONTINUOUS MODE OPERATION

MULTIPOWER BCD TECHNOLOGY



POWERDIP
(16 + 2 + 2)



SO20

ORDERING NUMBERS : L4972A (Powerdip)
L4972AD (SO20)

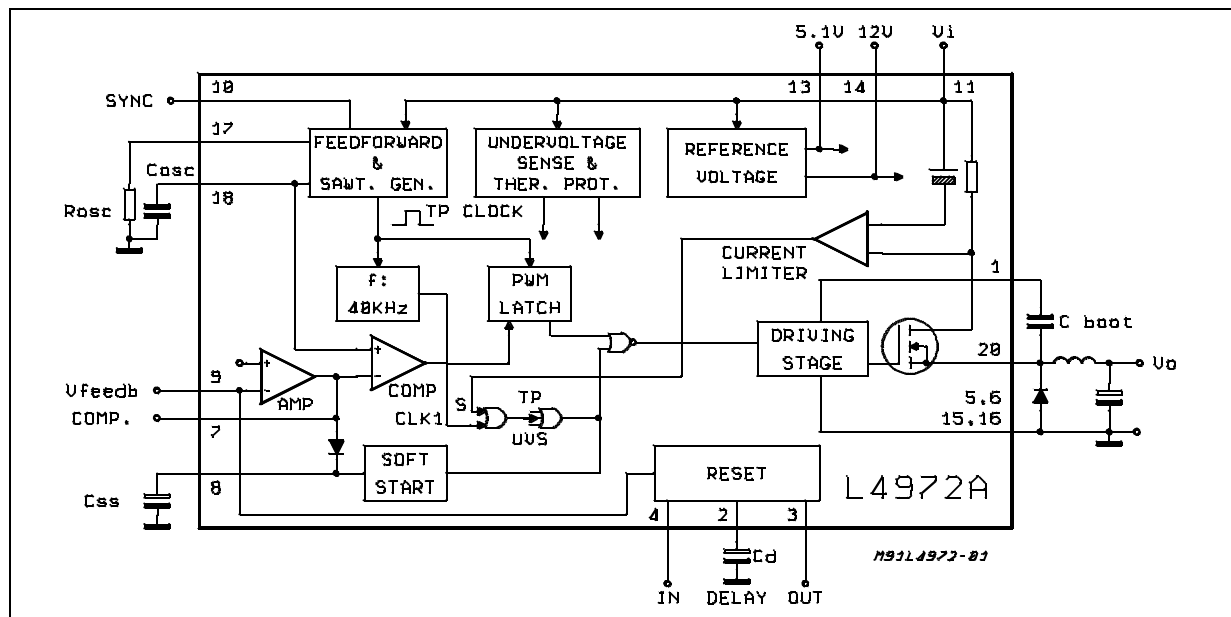
DESCRIPTION

The L4972A is a stepdown monolithic power switching regulator delivering 2A at a voltage variable from 5.1 to 40V.

Realized with BCD mixed technology, the device uses a DMOS output transistor to obtain very high efficiency and very fast switching times. Features of

the L4972A include reset and power fail for micro-processors, feed forward line regulation, soft start, limiting current and thermal protection. The device is mounted in a Powerdip 16 + 2 + 2 and SO20 large plastic packages and requires few external components. Efficient operation at switching frequencies up to 200KHz allows reduction in the size and cost of external filter component.

BLOCK DIAGRAM



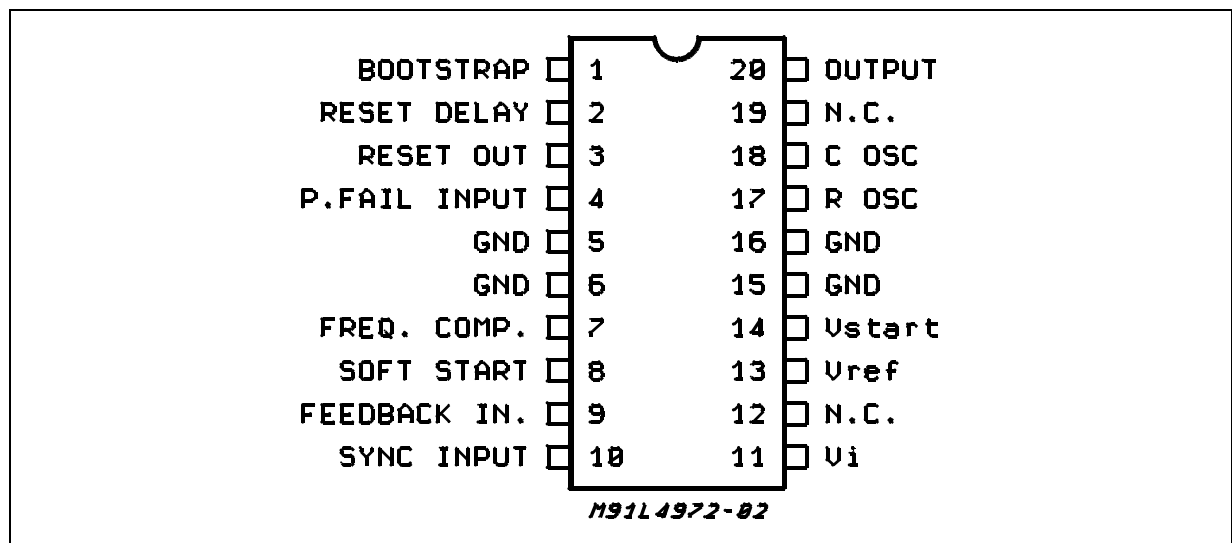
L4972A-L4972AD

ABSOLUTE MAXIMUM RATINGS

| Symbol | Parameter | Value | Unit |
|--------------------------------------------------------------------|-----------------------------------------------------------------------------------------------------------|--------------------------|--------|
| V ₁₁ | Input Voltage | 55 | V |
| V ₁₁ | Input Operating Voltage | 50 | V |
| V ₂₀ | Output DC Voltage | -1 | V |
| | Output Peak Voltage at t = 0.1μs f = 200khz | -5 | V |
| I ₂₀ | Maximum Output Current | Internally Limited | |
| V ₁ | Bootstrap Voltage | 65 | V |
| | Bootstrap Operating Voltage | V ₁₁ + 15 | V |
| V ₄ , V ₈ | Input Voltage at Pins 4, 12 | 12 | V |
| V ₃ | Reset Output Voltage | 50 | V |
| I ₃ | Reset Output Sink Current | 50 | mA |
| V ₂ , V ₇ , V ₉ , V ₁₀ | Input Voltage at Pin 2, 7, 9, 10 | 7 | V |
| I ₂ | Reset Delay Sink Current | 30 | mA |
| I ₇ | Error Amplifier Output Sink Current | 1 | A |
| I ₈ | Soft Start Sink Current | 30 | mA |
| P _{tot} | Total Power Dissipation at T _{PINS} ≤ 90°C at T _{amb} = 70°C (No copper area on PCB) | 5 / 3.75(*) 1.3/1 (*) | W W |
| T _J , T _{stg} | Junction and Storage Temperature | -40 to 150 | °C |

(*) SO-20

PIN CONNECTION (top view)



THERMAL DATA

| Symbol | Parameter | | Powerdip | SO-20 |
|------------------------|-------------------------------------|-----|----------|--------|
| R _{th j-pins} | Thermal Resistance Junction-Pins | max | 12°C/W | 16°C/W |
| R _{th j-amb} | Thermal Resistance Junction-ambient | max | 60°C/W | 80°C/W |

PIN FUNCTIONS

| N° | Name | Function |
|----------------|------------------------|---------------------------------------------------------------------------------------------------------------------------------------------------------------------------------------------------------------------------------------|
| 1 | BOOTSTRAP | A C_{boot} capacitor connected between this terminal and the output allows to drive properly the internal D-MOS transistor. |
| 2 | RESET DELAY | A C_d capacitor connected between this terminal and ground determines the reset signal delay time. |
| 3 | RESET OUT | Open Collector Reset/power Fail Signal Output. This output is high when the supply and the output voltages are safe. |
| 4 | RESET INPUT | Input of Power Fail Circuit. The threshold is 5.1V. It may be connected via a divider to the input for power fail function. It must be connected to the pin 14 an external 30K Ω resistor when power fail signal not required. |
| 5, 6 15, 16 | GROUND | Common Ground Terminal |
| 7 | FREQUENCY COMPENSATION | A series RC network connected between this terminal and ground determines the regulation loop gain characteristics. |
| 8 | SOFT START | Soft Start Time Constant. A capacitor is connected between this terminal and ground to define the soft start time constant. |
| 9 | FEEDBACK INPUT | The Feedback Terminal of the Regulation Loop. The output is connected directly to this terminal for 5.1V operation; It is connected via a divider for higher voltages. |
| 10 | SYNC INPUT | Multiple L4972A's are synchronized by connecting pin 10 inputs together or via an external syncr. pulse. |
| 11 | SUPPLY VOLTAGE | Unregulated Input Voltage. |
| 12, 19 | N.C. | Not Connected. |
| 13 | V_{ref} | 5.1V V_{ref} Device Reference Voltage. |
| 14 | V_{start} | Internal Start-up Circuit to Drive the Power Stage. |
| 17 | OSCILLATOR | R_{osc} - External resistor connected to ground determines the constant charging current of C_{osc} . |
| 18 | OSCILLATOR | C_{osc} - External capacitor connected to ground determines (with R_{osc}) the switching frequency. |
| 20 | OUTPUT | Regulator Output. |

CIRCUIT OPERATION

The L4972A is a 2A monolithic stepdown switching regulator working in continuous mode realized in the new BCD Technology. This technology allows the integration of isolated vertical DMOS power transistors plus mixed CMOS/Bipolar transistors.

The device can deliver 2A at an output voltage adjustable from 5.1V to 40V and contains diagnostic and control functions that make it particularly suitable for microprocessor based systems.

BLOCK DIAGRAM

The block diagram shows the DMOS power transistors and the PWM control loop. Integrated functions include a reference voltage trimmed to 5.1V \pm 2%, soft start, undervoltage lockout, oscillator with feedforward control, pulse by pulse current limit, thermal shutdown and finally the reset and power fail circuit. The reset and power fail circuit provides an output signal for a microprocessor indicating the status of the system.

Device turn on is around 11V with a typical 1V hysteresis, this threshold provides a correct voltage for the driving stage of the DMOS gate and the hysteresis prevents instabilities.

An external bootstrap capacitor charge to 12V by an internal voltage reference is needed to provide correct gate drive to the power DMOS. The driving circuit is able to source and sink peak currents of around 0.5A to the gate of the DMOS transistor. A typical switching time of the current in the DMOS transistor is 50ns. Due to the fast commutation switching frequencies up to 200kHz are possible.

The PWM control loop consists of a sawtooth oscillator, error amplifier, comparator, latch and the output stage. An error signal is produced by comparing the output voltage with the precise 5.1V \pm 2% on chip reference. This error signal is then compared with the sawtooth oscillator in order to generate fixed frequency pulse width modulated drive for the output stage. A PWM latch is included to eliminate multiple pulsing within a period even in noisy environments.

The gain and stability of the loop can be adjusted by

an external RC network connected to the output of the error amplifier. A voltage feedforward control has been added to the oscillator, this maintains superior line regulation over a wide input voltage range. Closing the loop directly gives an output voltage of 5.1V, higher voltages are obtained by inserting a voltage divider.

At turn on, output overcurrents are prevented by the soft start function (fig. 2). The error amplifier is initially clamped by an external capacitor, C_{ss} , and allowed to rise linearly under the charge of an internal constant current source.

Output overload protection is provided by a current limit circuit. The load current is sensed by a internal metal resistor connected to a comparator. When the load current exceeds a preset threshold, the output of the comparator sets a flip flop which turns off the power DMOS. The next clock pulse, from an internal 40kHz oscillator, will reset the flip flop and the power DMOS will again conduct. This current protection method, ensures a constant current output when the system is overloaded or short circuited and limits the switching frequency, in this condition, to 40kHz. The Reset and Power fail circuit (fig. 4), generates an output signal when the supply voltage exceeds a threshold programmed by an external voltage divider. The reset signal, is generated with a delay time programmed by a external capacitor on the delay pin. When the supply voltage falls below the threshold or the output voltage goes below 5V, the reset output goes low immediately. The reset output is an open drain.

Fig. 4A shows the case when the supply voltage is higher than the threshold, but the output voltage is not yet 5V.

Fig. 4B shows the case when the output is 5.1V, but the supply voltage is not yet higher than the fixed threshold.

The thermal protection disables circuit operation when the junction temperature reaches about 150°C and has a hysteresis to prevent unstable conditions.

Figure 1 : Feedforward Waveform.

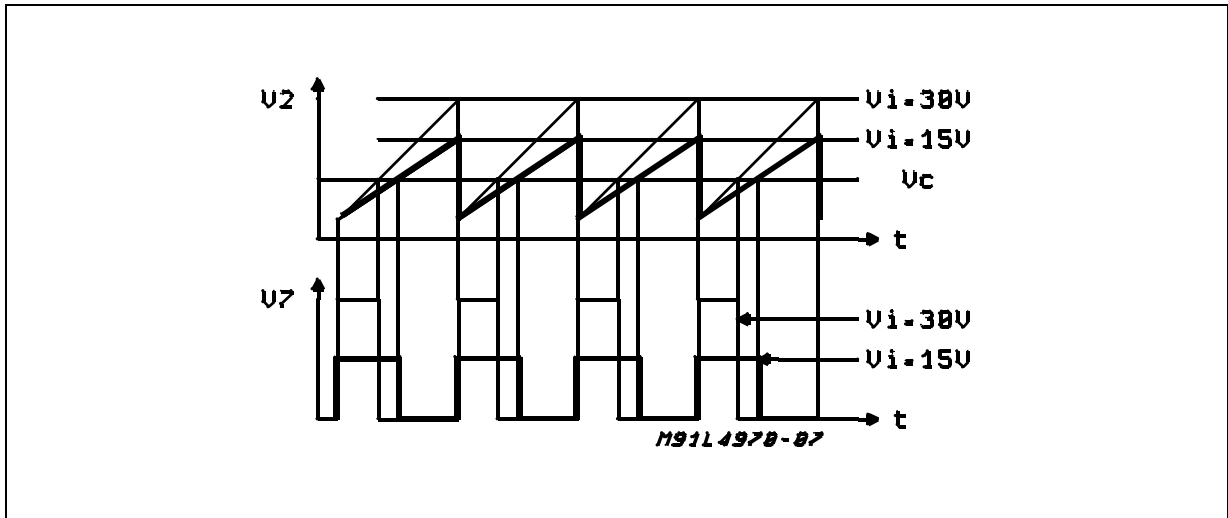


Figure 2 : Soft Start Function.

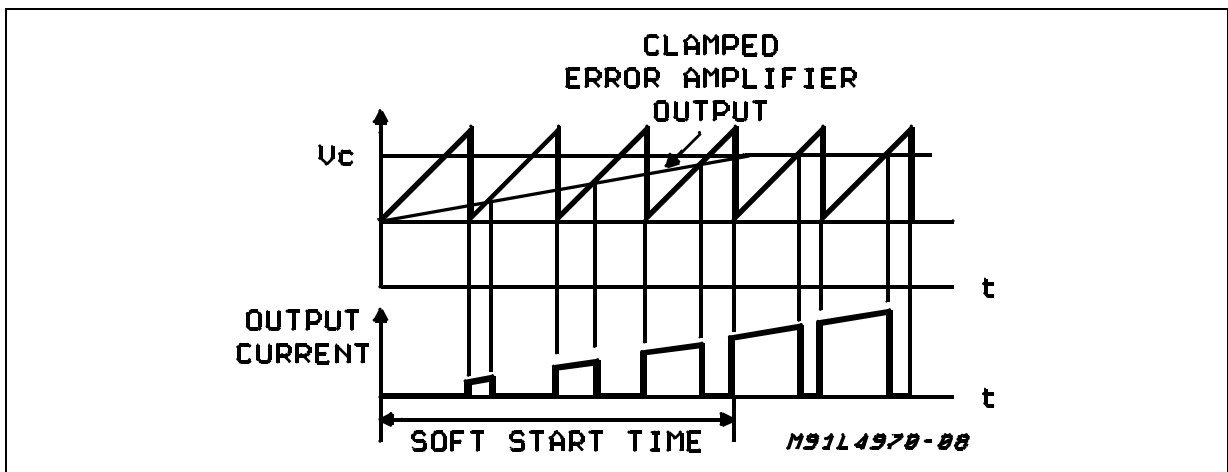


Figure 3 : Limiting Current Function.

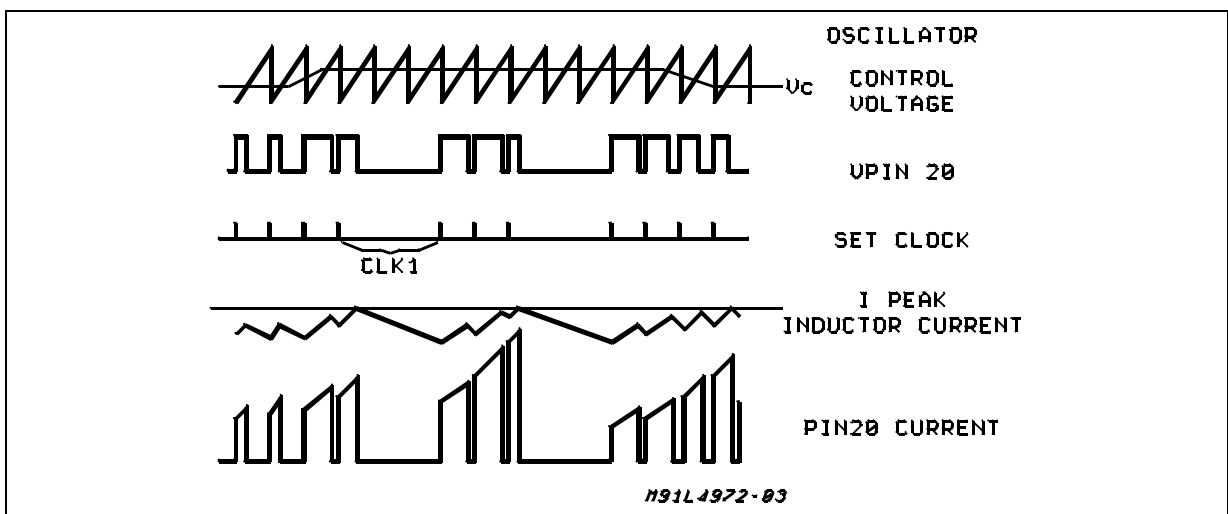
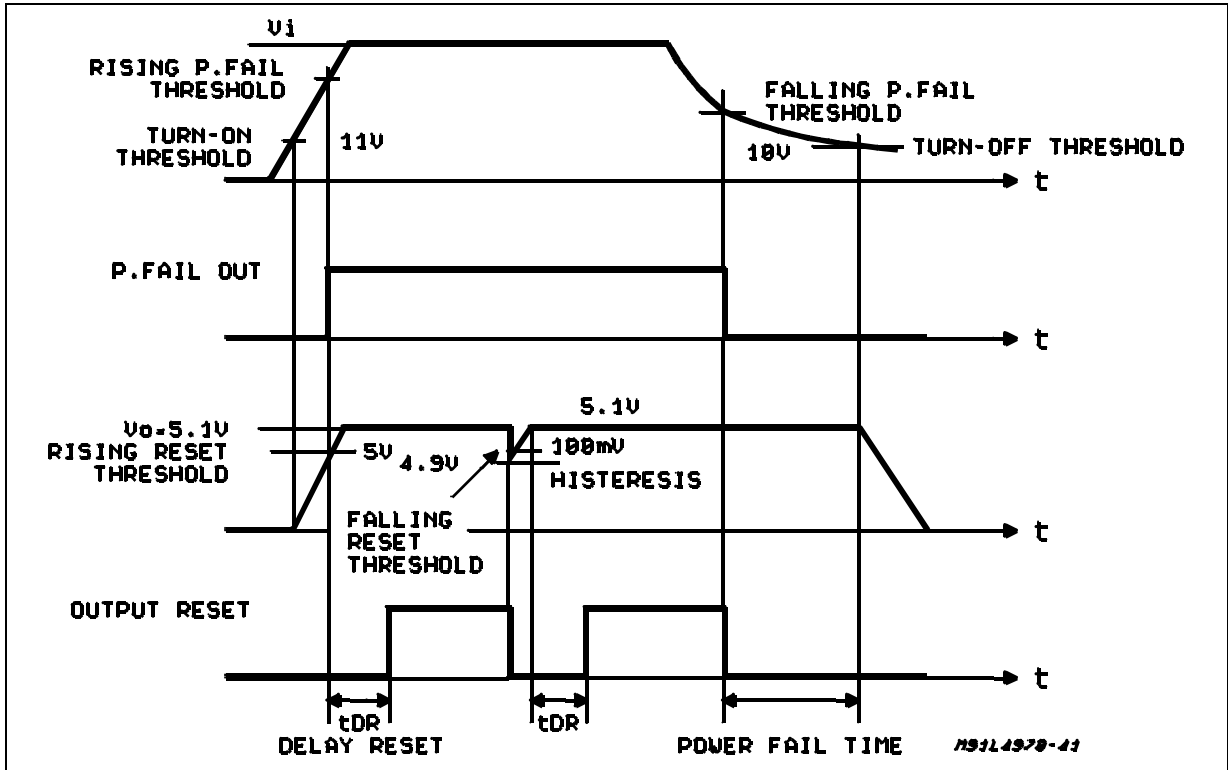
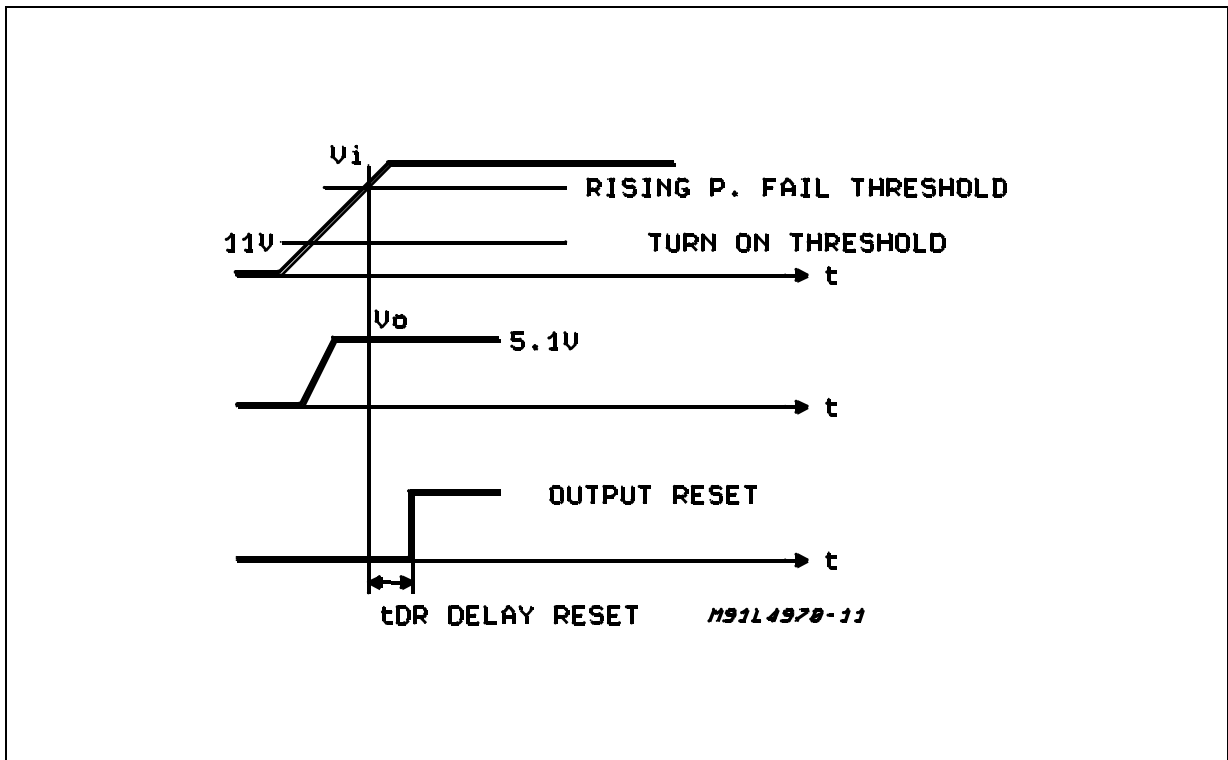


Figure 4 : Reset and Power Fail Functions.

A



B



ELECTRICAL CHARACTERISTICS (refer to the test circuit, $T_J = 25^\circ\text{C}$, $V_i = 35\text{V}$, $R_4 = 30\text{K}\Omega$, $C_9 = 2.7\text{nF}$, $f_{\text{sw}} = 100\text{KHz}$ typ, unless otherwise specified)

DYNAMIC CHARACTERISTICS

| Symbol | Parameter | Test Conditions | Min. | Typ. | Max. | Unit | Fig. |
|-----------------------|----------------------------------------------|-------------------------------------------------------------------------------------------|------|----------|------|--------|------|
| V_i | Input Volt. Range (pin 11) | $V_o = V_{\text{ref}}$ to 40V $I_o = 2\text{A}$ (**) | 15 | | 50 | V | 5 |
| V_o | Output Voltage | $V_i = 15\text{V}$ to 50V $I_o = 1\text{A}$; $V_o = V_{\text{ref}}$ | 5 | 5.1 | 5.2 | V | 5 |
| ΔV_o | Line Regulation | $V_i = 15\text{V}$ to 50V $I_o = 0.5\text{A}$; $V_o = V_{\text{ref}}$ | | 12 | 30 | mV | |
| ΔV_o | Load Regulation | $V_o = V_{\text{ref}}$ $I_o = 0.5\text{A}$ to 2A | | 7 | 20 | mV | |
| V_d | Dropout Voltage between Pin 11 and 20 | $I_o = 2\text{A}$ | | 0.25 | 0.4 | V | |
| I_{20L} | Max Limiting Current | $V_i = 15\text{V}$ to 50V $V_o = V_{\text{ref}}$ to 40V | 2.5 | 2.8 | 3.5 | A | |
| η | Efficiency (*) | $I_o = 2\text{A}$, $f = 100\text{KHz}$ $V_o = V_{\text{ref}}$ $V_o = 12\text{V}$ | 75 | 85 90 | | % % | |
| SVR | Supply Voltage Ripple Rejection | $V_i = 2\text{VRMS}$; $I_o = 1\text{A}$ $f = 100\text{Hz}$; $V_o = V_{\text{ref}}$ | 56 | 60 | | dB | 5 |
| f | Switching Frequency | | 90 | 100 | 110 | KHz | 5 |
| $\Delta f/\Delta V_i$ | Voltage Stability of Switching Frequency | $V_i = 15\text{V}$ to 45V | | 2 | 6 | % | 5 |
| $\Delta f/T_j$ | Temperature Stability of Switching Frequency | $T_j = 0$ to 125°C | | 1 | | % | 5 |
| f_{max} | Maximum Operating Switching Frequency | $V_o = V_{\text{ref}}$ $R_4 = 15\text{K}\Omega$ $I_o = 2\text{A}$ $C_9 = 2.2\text{nF}$ | 200 | | | KHz | 5 |

(*) Only for DIP version (**) Pulse testing with a low duty cycle

V_{ref} SECTION (pin 13)

| Symbol | Parameter | Test Condition | Min. | Typ. | Max. | Unit | Fig. |
|----------------------------------|---------------------------------------------------|------------------------------------------------|------|------|------|----------------------|------|
| V_{13} | Reference Voltage | | 5 | 5.1 | 5.2 | V | 7 |
| ΔV_{13} | Line Regulation | $V_i = 15\text{V}$ to 50V | | 10 | 25 | mV | 7 |
| ΔV_{13} | Load Regulation | $I_{13} = 0$ to 1mA | | 20 | 40 | mV | 7 |
| $\frac{\Delta V_{13}}{\Delta T}$ | Average Temperature Coefficient Reference Voltage | $T_j = 0^\circ\text{C}$ to 125°C | | 0.4 | | mV/ $^\circ\text{C}$ | 7 |
| $I_{13 \text{ short}}$ | Short Circuit Current Limit | $V_{13} = 0$ | | 70 | | mA | 7 |

V_{START} SECTION (pin 15)

| Symbol | Parameter | Test Condition | Min. | Typ. | Max. | Unit | Fig. |
|------------------------|-----------------------------|----------------------|------|------|------|------|------|
| V_{14} | Reference Voltage | | 11.4 | 12 | 12.6 | V | 7 |
| ΔV_{14} | Line Regulation | $V_i = 15$ to 50V | | 0.6 | 1.4 | V | 7 |
| ΔV_{14} | Load Regulation | $I_{14} = 0$ to 1mA | | 50 | 200 | mV | 7 |
| $I_{14 \text{ short}}$ | Short Circuit Current Limit | $V_{15} = 0\text{V}$ | | 80 | | mA | 7 |

L4972A-L4972AD

ELECTRICAL CHARACTERISTICS (continued)

DC CHARACTERISTICS

| Symbol | Parameter | Test Condition | Min. | Typ. | Max. | Unit | Fig. |
|--------------|--------------------------|------------------------------------|------|------|------|------|------|
| V_{11on} | Turn-on Threshold | | 10 | 11 | 12 | V | 7A |
| V_{11Hyst} | Turn-off Hysteresys | | | 1 | | V | 7A |
| I_{11Q} | Quiescent Current | $V_8 = 0$; $S1 = D$ | | 13 | 19 | mA | 7A |
| I_{11OQ} | Operating Supply Current | $V_8 = 0$; $S1 = B$; $S2 = B$ | | 16 | 23 | mA | 7A |
| I_{20L} | Out Leak Current | $V_i = 55V$; $S3 = A$; $V_8 = 0$ | | | 2 | mA | 7A |

SOFT START (pin 8)

| Symbol | Parameter | Test Condition | Min. | Typ. | Max. | Unit | Fig. |
|--------|---------------------------|--------------------------------------------------------------------|------|------|----------|---------|----------|
| I_8 | Soft Start Source Current | $V_8 = 3V$; $V_9 = 0V$ | 80 | 115 | 150 | μA | 7B |
| V_8 | Output Saturation Voltage | $I_8 = 20mA$; $V_{11} = 10V$ $I_8 = 200\mu A$; $V_{11} = 10V$ | | | 1 0.7 | V V | 7B 7B |

ERROR AMPLIFIER

| Symbol | Parameter | Test Condition | Min. | Typ. | Max. | Unit | Fig. |
|-----------|--------------------------|---------------------------------------------|------|------|------|---------|------|
| V_{7H} | High Level Out Voltage | $I_7 = 100\mu A$; $S1 = C$ $V_9 = 4.7V$ | 6 | | | V | 7C |
| V_{7L} | Low Level Out Voltage | $I_7 = 100\mu A$; $S1 = C$ $V_9 = 5.3V$ | | | 1.2 | V | 7C |
| I_{7H} | Source Output Current | $V_7 = 1V$; $V_7 = 4.7V$ | 100 | 150 | | μA | 7C |
| $-I_{7L}$ | Sink Output Current | $V_7 = 6V$; $V_9 = 5.3V$ | 100 | 150 | | μA | 7C |
| I_9 | Input Bias Current | $S1 = B$; $R_S = 10K\Omega$ | | 0.4 | 3 | μA | 7C |
| G_V | DC Open Loop Gain | $S1 = A$; $R_S = 10\Omega$ | 60 | | | dB | 7C |
| SVR | Supply Voltage Rejection | $15 < V_i < 50V$ | 60 | 80 | | dB | 7C |
| V_{OS} | Input Offset Voltage | $R_S = 50\Omega$ $S1 = A$ | | 2 | 10 | mV | 7C |

RAMP GENERATOR (pin 18)

| Symbol | Parameter | Test Condition | Min. | Typ. | Max. | Unit | Fig. |
|----------|-------------------|----------------------------------------------|------|------------|------|---------|----------|
| V_{18} | Ramp Valley | $S1 = B$; $S2 = B$ | 1.2 | 1.5 | | V | 7A |
| V_{18} | Ramp Peak | $S1 = B$ $V_i = 15V$ $S2 = B$ $V_i = 45V$ | | 2.5 5.5 | | V V | 7A 7A |
| I_{18} | Min. Ramp Current | $S1 = A$; $I_{17} = 100\mu A$ | | 270 | 300 | μA | 7A |
| I_{18} | Max. Ramp Current | $S1 = A$; $I_{17} = 1mA$ | 2.4 | 2.7 | | mA | 7A |

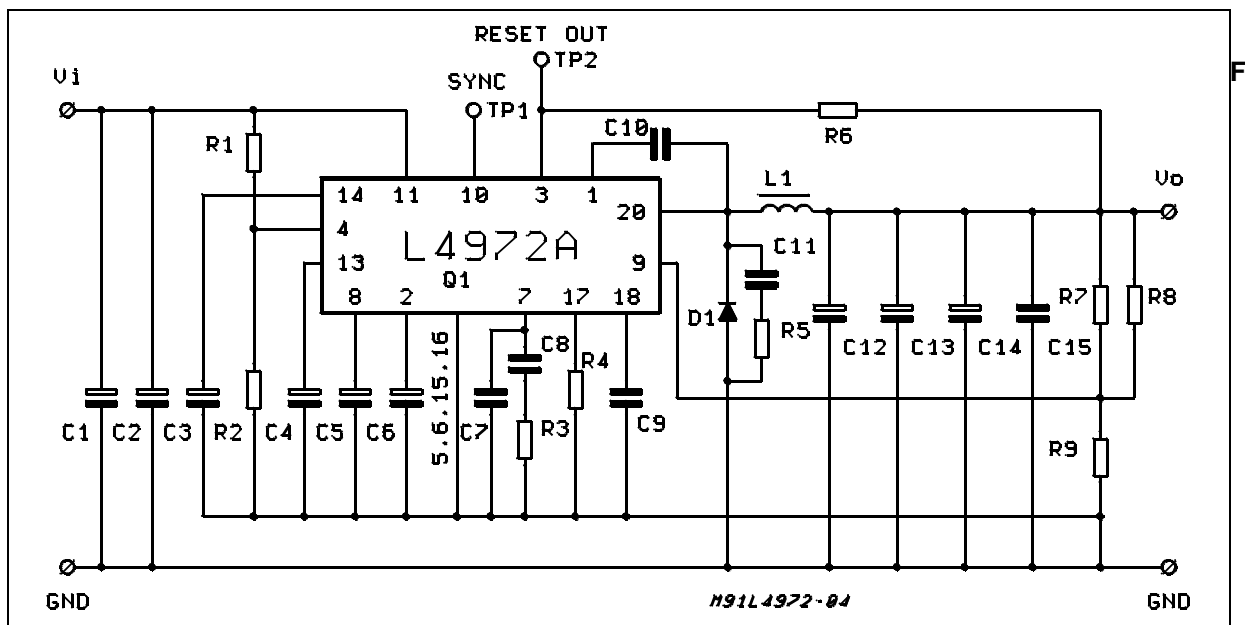
SYNC FUNCTION (pin 10)

| Symbol | Parameter | Test Condition | Min. | Typ. | Max. | Unit | Fig. |
|-----------|-------------------------------------------|----------------------------------------------------------------------|------|------|------|---------|------|
| V_{10} | Low Input Voltage | $V_i = 15V$ to $50V$; $V_8 = 0$; $S1 = B$; $S2 = B$; $S4 = B$ | -0.3 | | 0.9 | V | 7A |
| V_{10} | High Input voltage | $V_8 = 0$; $S1 = B$; $S2 = B$; $S4 = B$ | 2.5 | | 5.5 | V | 7A |
| I_{10L} | Sync Input Current with Low Input Voltage | $V_{10} = V_{18} = 0.9V$; $S4 = B$; $S1 = B$; $S2 = B$ | | | 0.4 | mA | 7A |
| I_{10H} | Input Current with High Input Voltage | $V_{10} = 2.5V$ | | | 1.5 | mA | 7A |
| V_{10} | Output Amplitude | | 4 | 5 | | V | - |
| t_w | Output Pulse Width | $V_{thr} = 2.5V$ | 0.3 | 0.5 | 0.8 | μs | - |

ELECTRICAL CHARACTERISTICS (continued)

RESET AND POWER FAIL FUNCTIONS

| Symbol | Parameter | Test Conditions | Min. | Typ. | Max. | Unit | Fig. |
|------------------|-----------------------------------|--------------------------------------------------------------------------------------|-----------------------|-----------------------|-----------------------|---------|------|
| V _{9R} | Rising Threshold Voltage (pin 9) | V _i = 15 to 50V V ₄ = 5.3V | V _{ref} -130 | V _{ref} -100 | V _{ref} -80 | V mV | 7D |
| V _{9F} | Falling Threshold Voltage (pin 9) | V _i = 15 to 50V V ₄ = 5.3V | 4.77 | V _{ref} -200 | V _{ref} -160 | V mV | 7D |
| V _{2H} | Delay High Threshold Volt. | V _i = 15 to 50V V ₄ = 5.3V V ₉ = V ₁₃ | 4.95 | 5.1 | 5.25 | V | 7D |
| V _{2L} | Delay Low Threshold Volt. | V _i = 15 to 50V V ₄ = 4.7V V ₉ = V ₁₃ | 1 | 1.1 | 1.2 | V | 7D |
| I _{2SO} | Delay Source Current | V ₄ = 5.3V; V ₂ = 3V | 30 | 60 | 80 | μA | 7D |
| I _{2SI} | Delay Source Sink Current | V ₄ = 4.7V; V ₂ = 3V | 10 | | | mA | 7D |
| V _{3S} | Output Saturation Voltage | I ₃ = 15mA; S1 = B V ₄ = 4.7V | | | 0.4 | V | 7D |
| I ₃ | Output Leak Current | V ₃ = 50V; S1 = A | | | 100 | μA | 7D |
| V _{4R} | Rising Threshold Voltage | V ₉ = V ₁₃ | 4.95 | 5.1 | 5.25 | V | 7D |
| V _{4H} | Hysteresis | | 0.4 | 0.5 | 0.6 | V | 7D |
| I ₄ | Input Bias Current | | | 1 | 3 | μA | 7D |



TYPICAL PERFORMANCES (using evaluation board) :

$\eta = 83\%$ (V_i = 35V ; V_o = VREF ; I_o = 2A ; f_{sw} = 100KHz)

V_o RIPPLE = 30mV (at 1A)

Line regulation = 12mV (V_i = 15 to 50V)

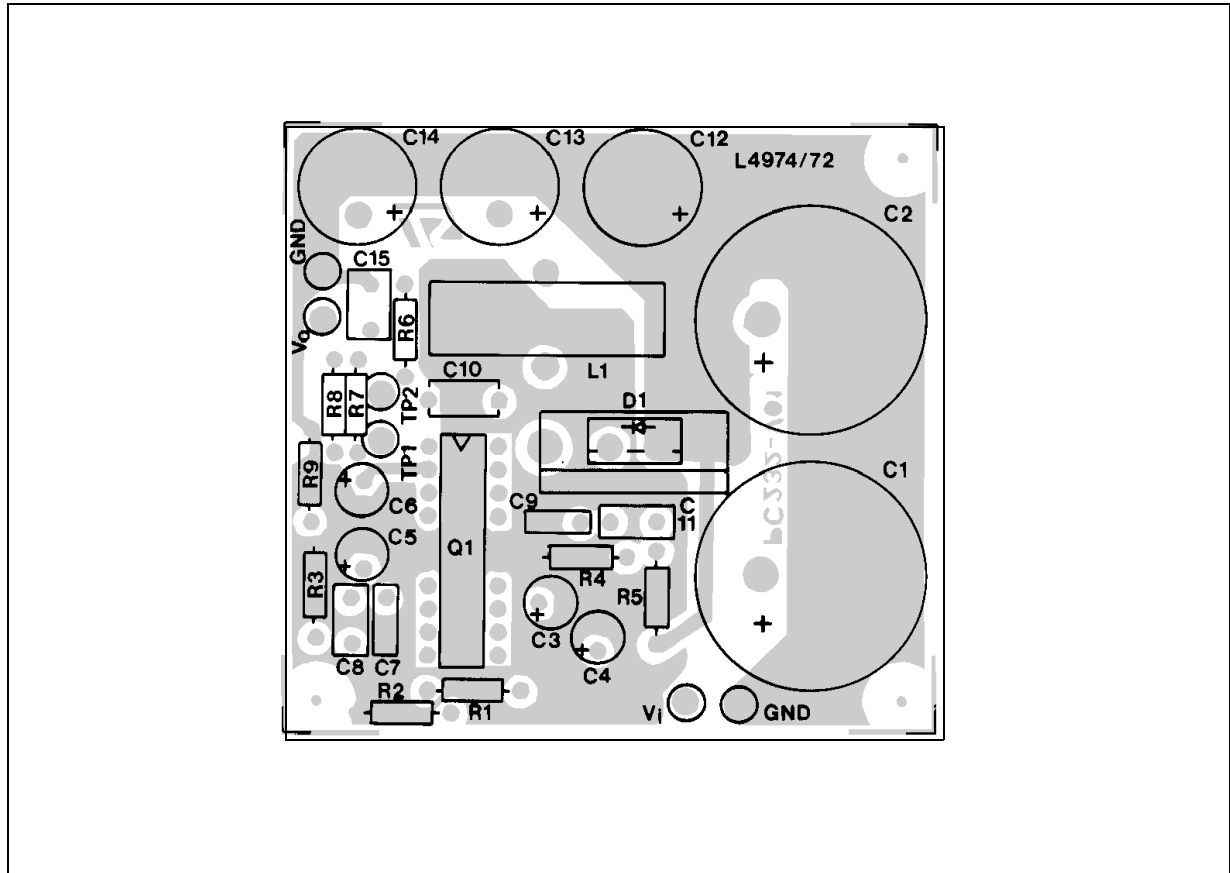
Load regulation = 7mV (I_o = 0.5 to 2A)

for component values Refer to the fig. 5 (Part list).



L4972A-L4972AD

Figure 6a : Component Layout of fig.5 (1 : 1 scale). Evaluation Board Available (only for DIP version)



PART LIST

R₁ = 30K Ω
 R₂ = 10K Ω
 R₃ = 15K Ω
 R₄ = 30K Ω
 R₅ = 22 Ω
 R₆ = 4.7K Ω
 R₇ = see table A
 R₈ = OPTION
 R₉ = 4.7K Ω

* C₁ = C₂ = 1000 μ F 63V EYF (ROE)
 C₃ = C₄ = C₅ = C₆ = 2,2 μ F 50V
 C₇ = 390pF Film
 C₈ = 22nF MKT 1837 (ERO)
 C₉ = 2.7nF KP 1830 (ERO)
 C₁₀ = 0.33 μ F Film
 C₁₁ = 1nF

** C₁₂ = C₁₃ = C₁₄ = 100 μ F 40V EKR (ROE)
 C₁₅ = 1 μ F Film

D1 = SB 560 (OR EQUIVALENT)

L1 = 150 μ H
 core 58310 MAGNETICS
 45 TURNS 0.91mm (AWG 19)
 COGEMA 949181

* 2 capacitors in parallel to increase input RMS current capability.
 * * 3 capacitors in parallel to reduce total output ESR.

Table A

| V ₀ | R ₉ | R ₇ |
|----------------|----------------|----------------|
| 12V | 4.7k Ω | 6.2k Ω |
| 15V | 4.7k Ω | 9.1k Ω |
| 18V | 4.7k Ω | 12 Ω |
| 24V | 4.7k Ω | 18 Ω |

Note:

In the Test and Application Circuit for L4972D are not mounted C₂, C₁₄ and R₈.

Table B

SUGGESTED BOOSTRAP CAPACITORS

| Operating Frequency | Bootstrap Cap.c10 |
|---------------------|-------------------|
| f = 20KHz | \geq 680nF |
| f = 50KHz | \geq 470nF |
| f = 100KHz | \geq 330nF |
| f = 200KHz | \geq 220nF |
| f = 500KHz | \geq 100nF |

Figure 6b: P.C. Board and Component Layout of the Circuit of Fig. 5. (1:1 scale)

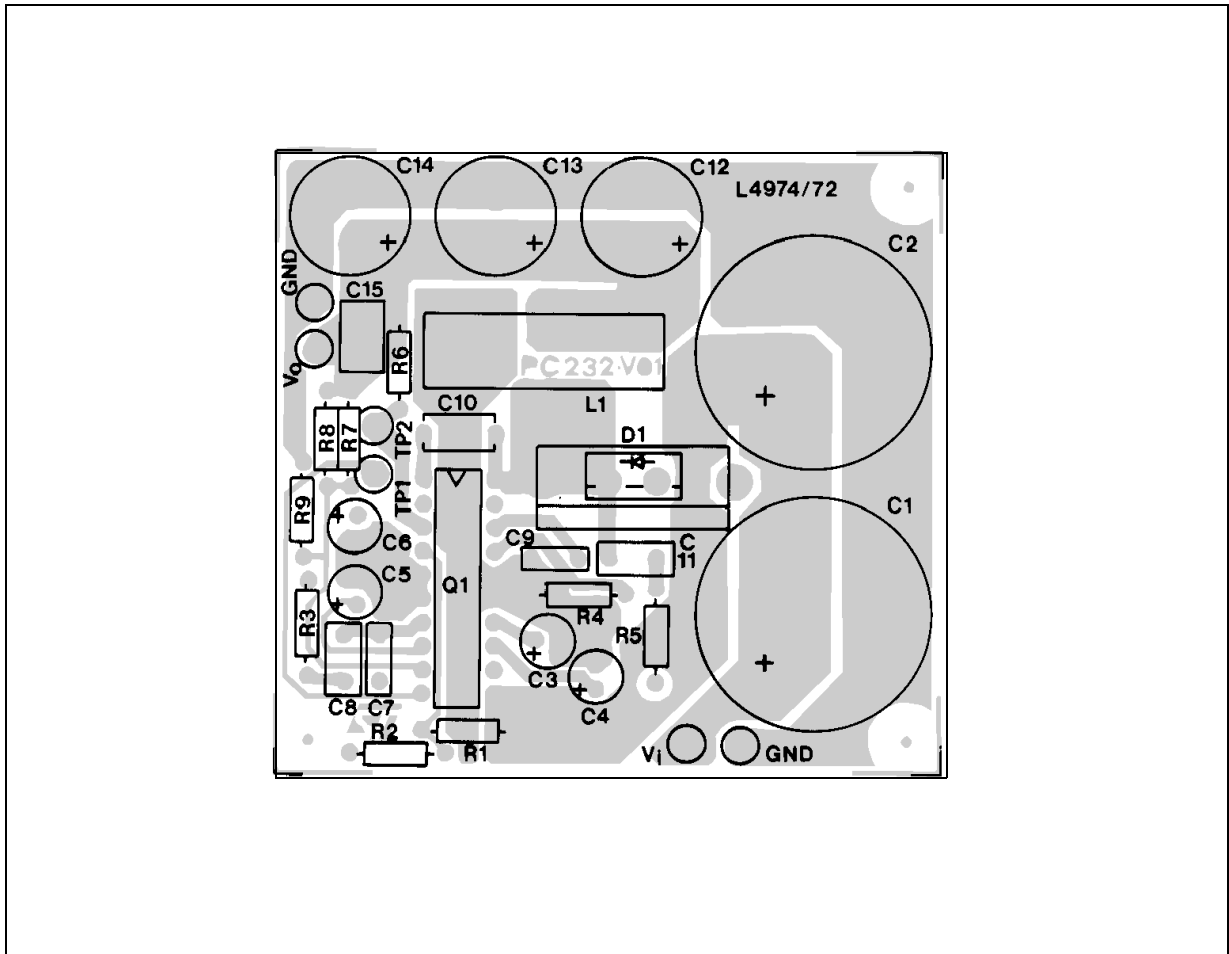


Figure 7 : DC Test Circuits.

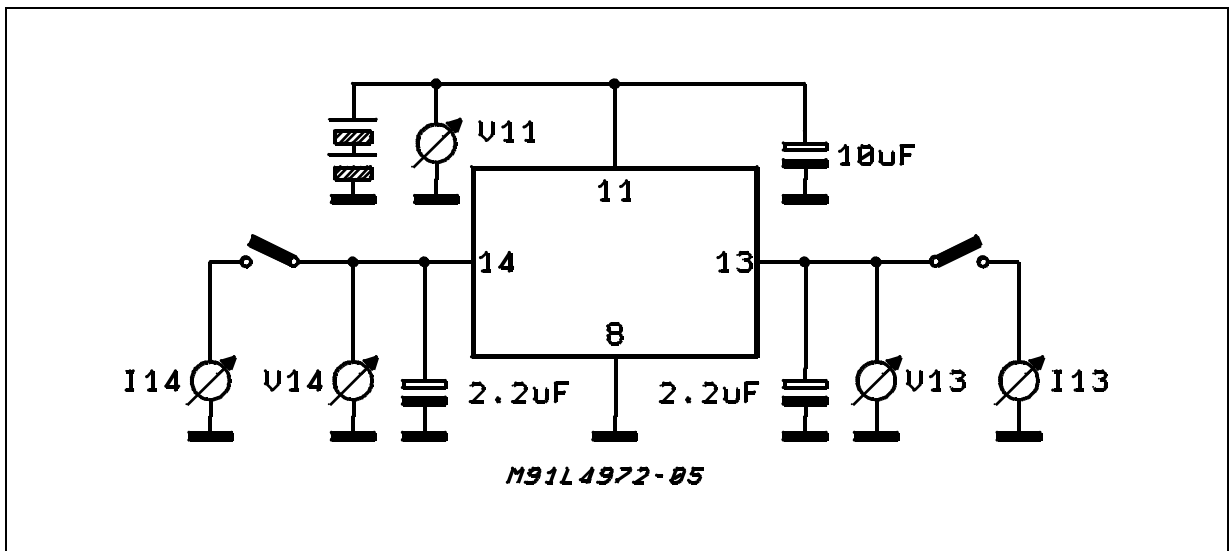


Figure 7A.

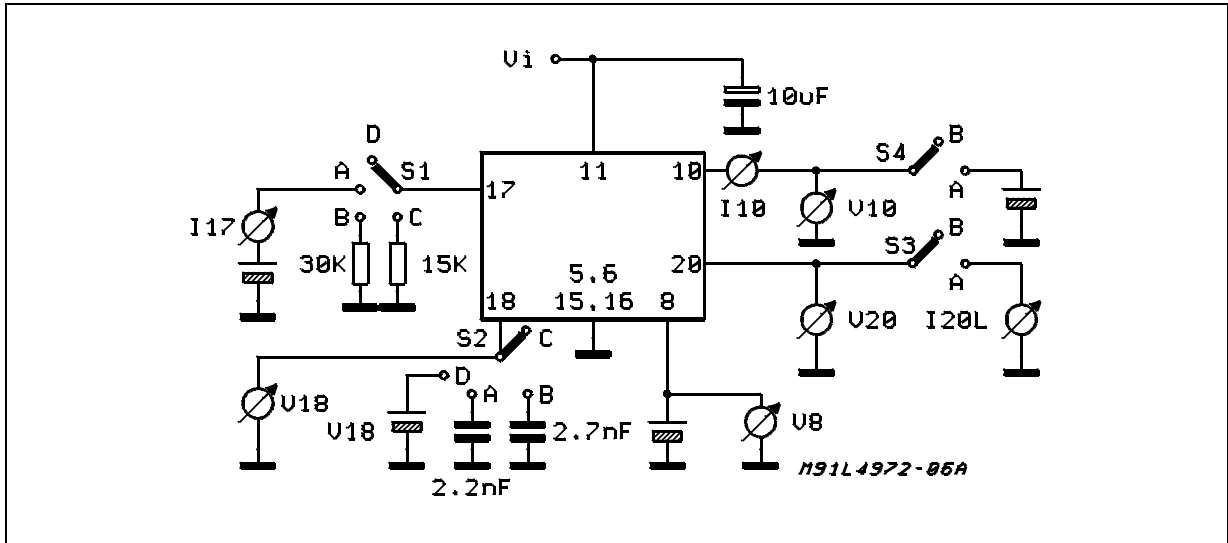


Figure 7B.

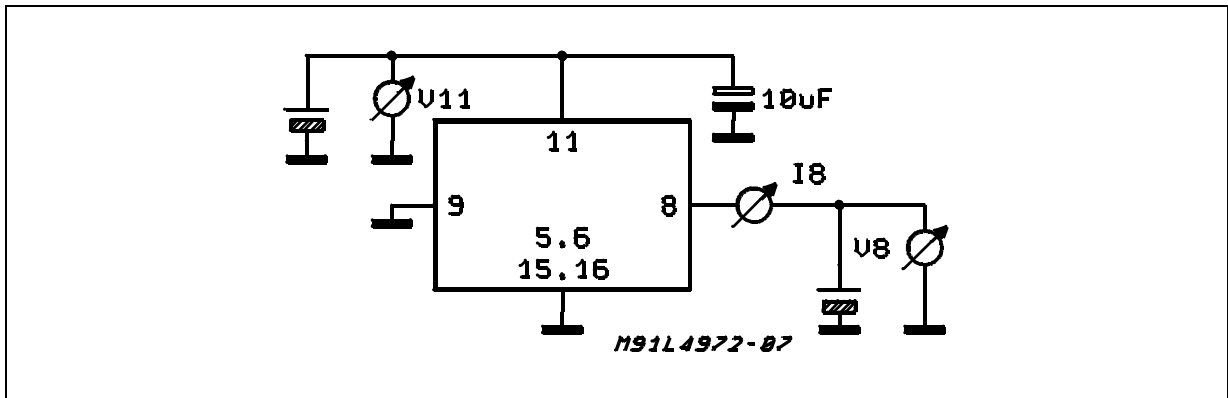


Figure 7C.

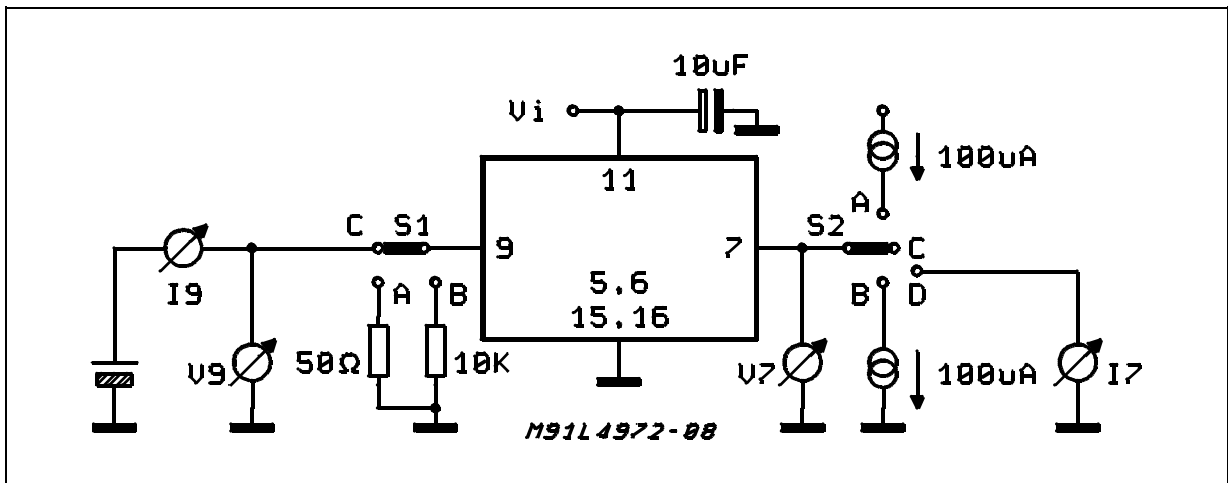


Figure 7D.

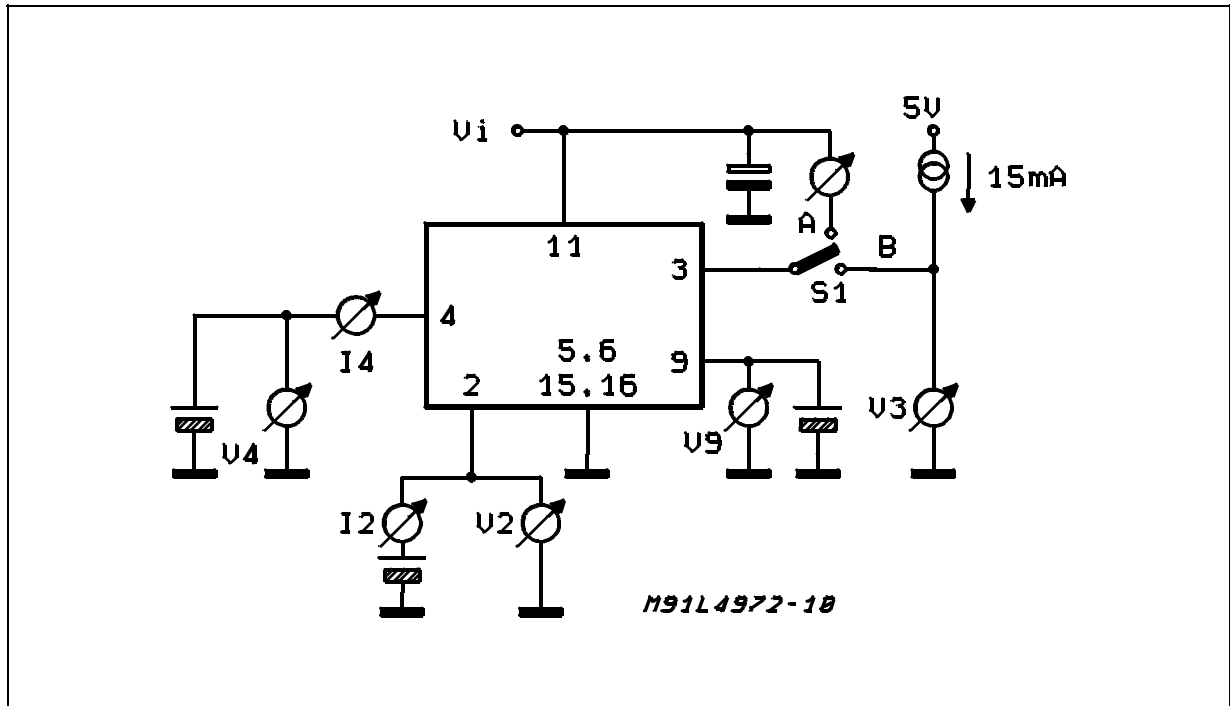


Figure 8 : Quiescent Drain Current vs. Supply Voltage (0% duty cycle - see fig. 7A).

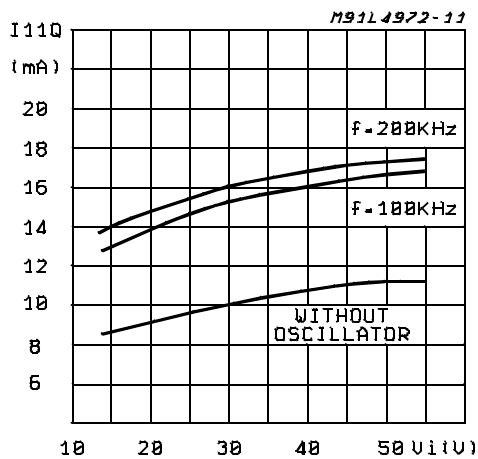


Figure 9 : Quiescent Drain Current vs. Junction Temperature (0% duty cycle).

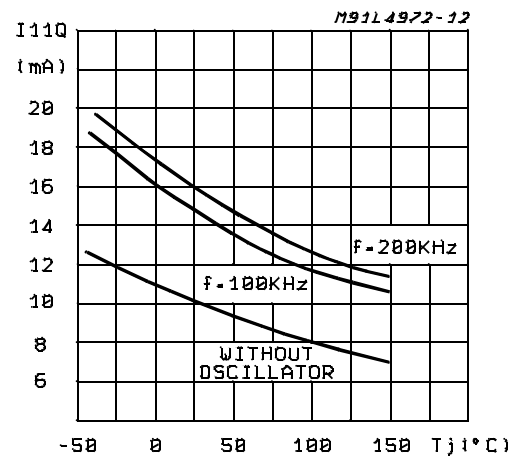


Figure 10 : Quiescent Drain Current vs. Duty Cycle.

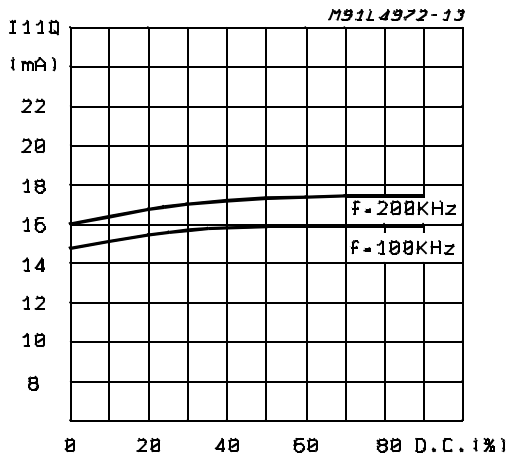


Figure 11 : Reference Voltage (pin 13) vs. Vi (see fig. 7).

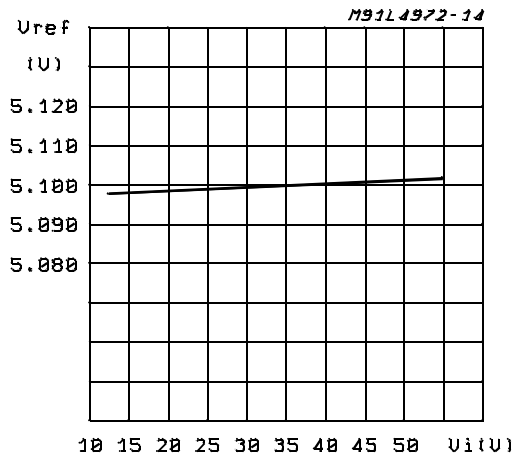


Figure 12 : Reference Voltage (pin 13) vs. Junction Temperature (see fig. 7).

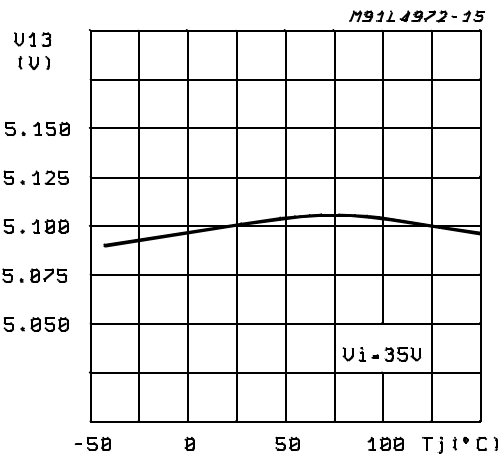


Figure 13 : Reference Voltage (pin 14) vs. Vi (see fig. 7).

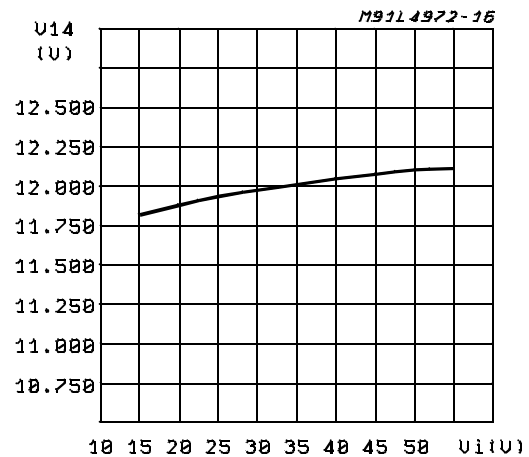


Figure 14 : Reference Voltage (pin 14) vs. Junction Temperature (see fig. 7).

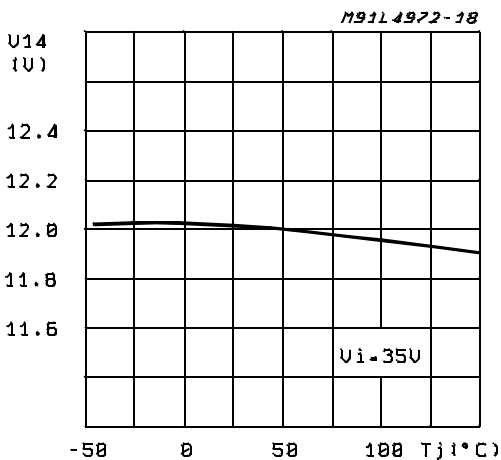


Figure 15 : Reference Voltage 5.1V (pin 13) Supply Voltage Ripple Rejection vs. Fre-

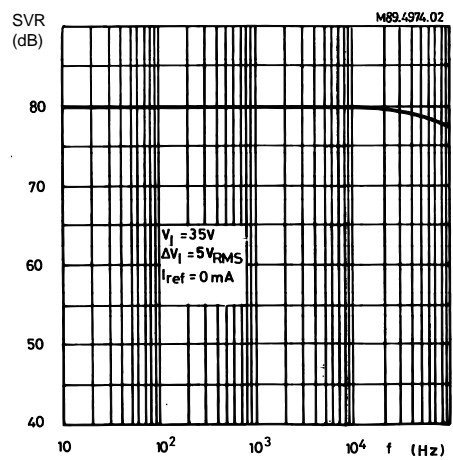


Figure 16 : Switching Frequency vs. Input Voltage (see fig. 5).

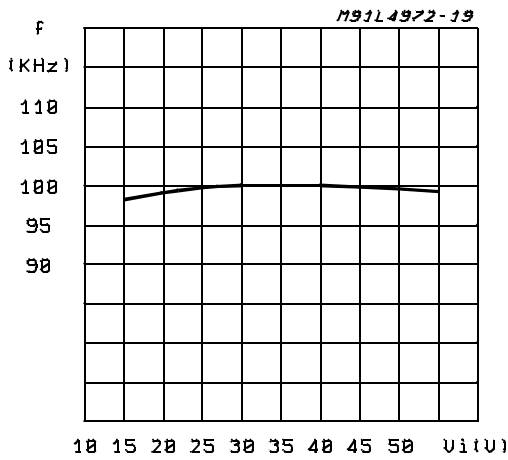


Figure 17 : Switching Frequency vs. Junction Temperature (see fig. 5).

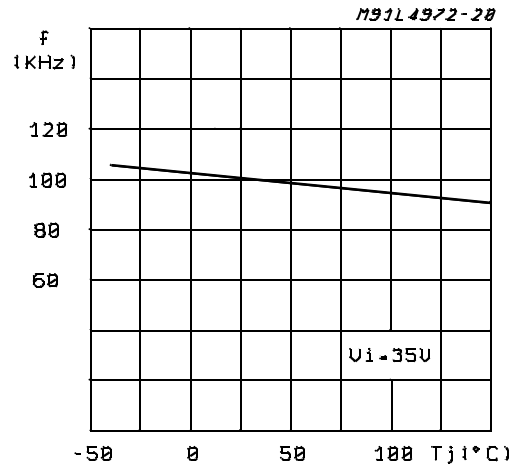


Figure 18 : Switching Frequency vs. R4 (see fig.5).

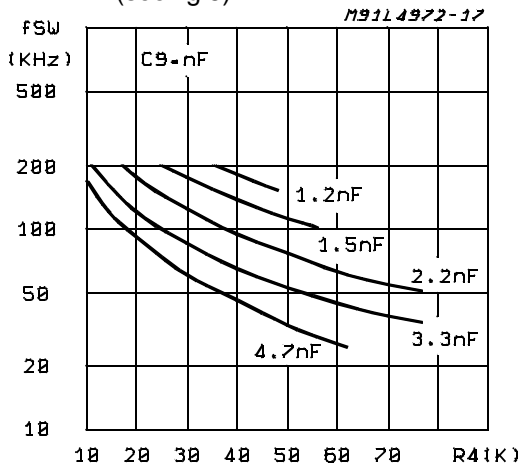


Figure 19 : Maximum Duty Cycle vs. Frequency.

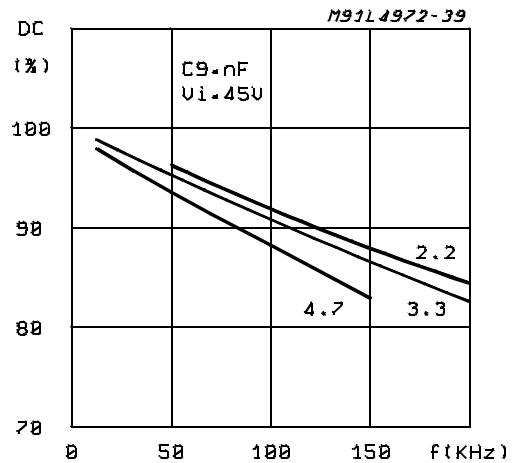


Figure 20 : Supply Voltage Ripple Rejection vs. Frequency (see fig. 5).

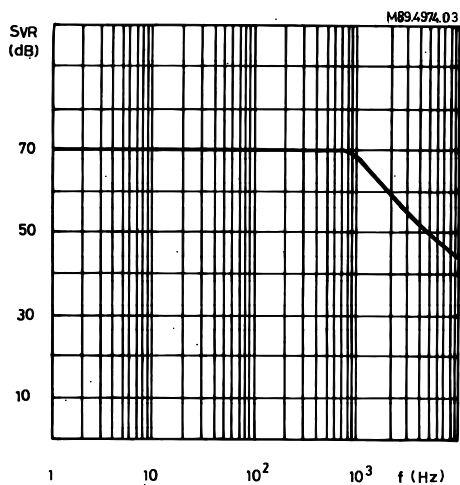


Figure 21 : Efficiency vs. Output Voltage.

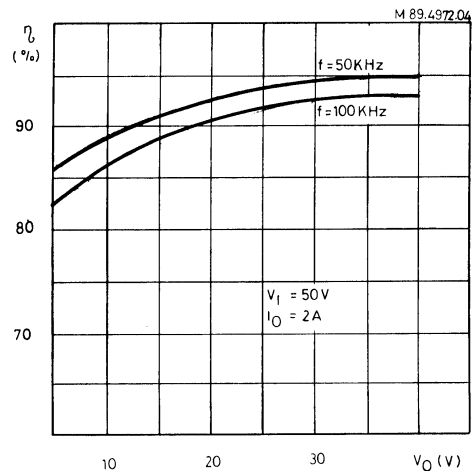


Figure 22 : Line Transient Response (see fig. 5).

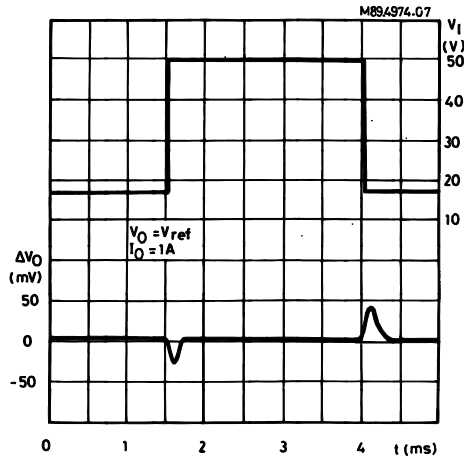


Figure 23 : Load Transient Response (see fig. 5).

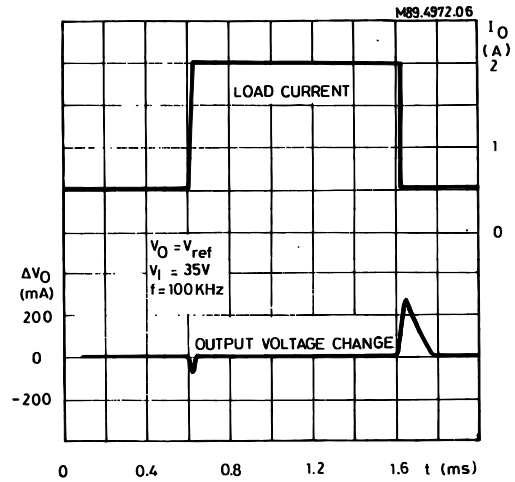


Figure 24 : Dropout Voltage between Pin 11 and Pin 20 vs. Current at Pin 20.

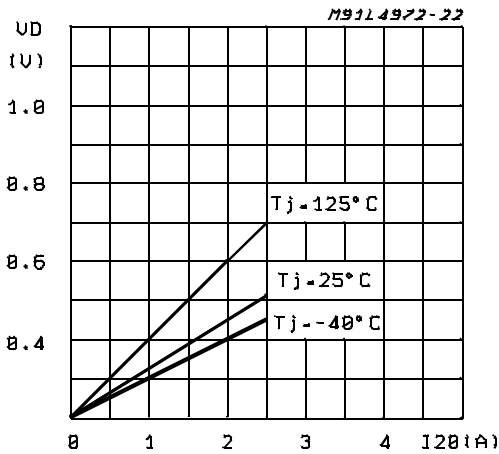


Figure 25 : Dropout Voltage between Pin 11 and Pin 20 vs. Junction Temperature.

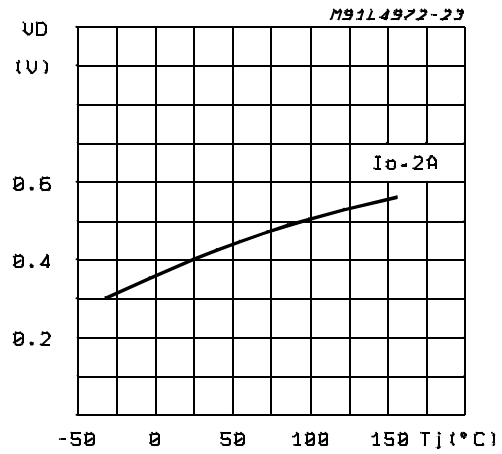


Figure 26 : Power Dissipation (device only) vs. Input Voltage.

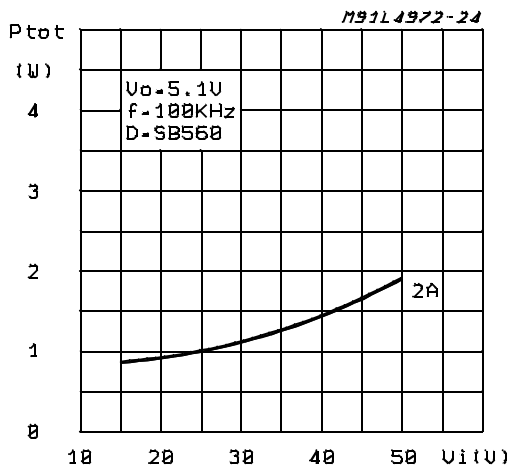


Figure 27 : Power Dissipation (device only) vs. Input Voltage.

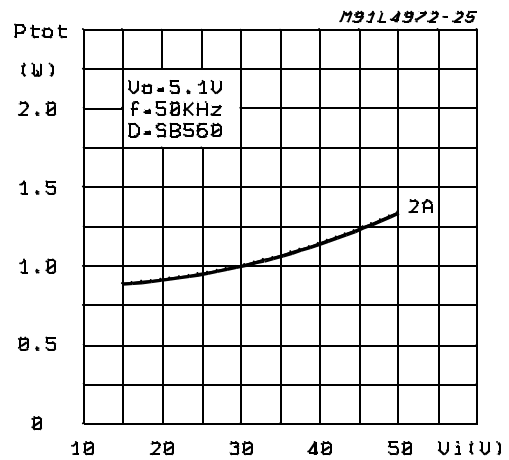


Figure 28 : Power Dissipation (device only) vs. Output Voltage.

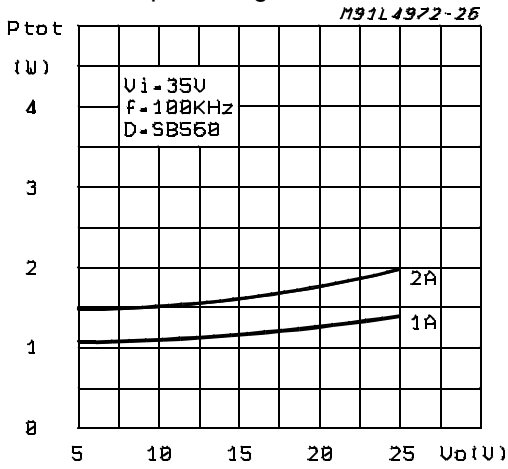


Figure 29 : Power Dissipation (device only) vs. Output Voltage.

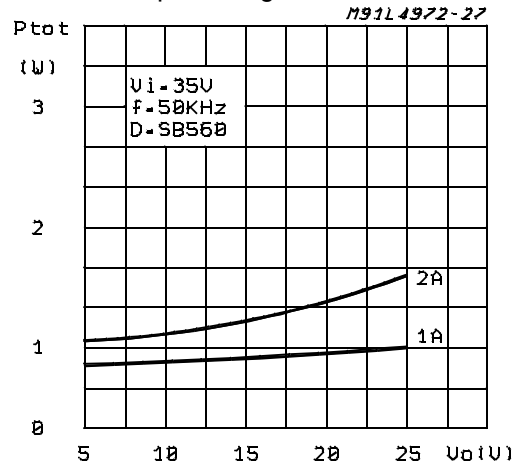


Figure 30 : Power Dissipation (device only) vs. Output Current.

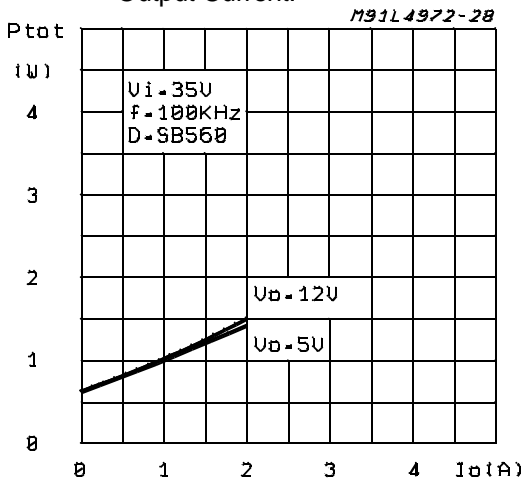


Figure 31 : Power Dissipation (device only) vs. Output Current.

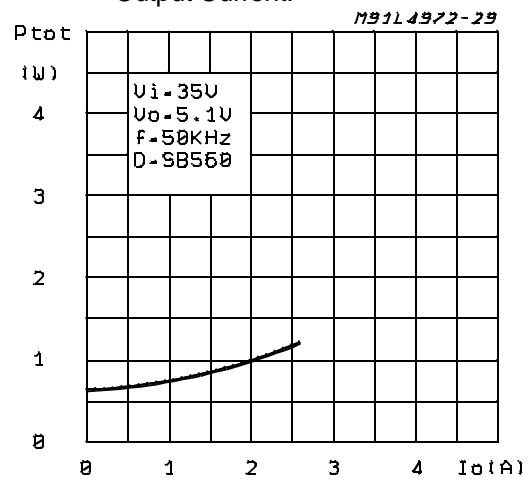


Figure 32 : Efficiency vs. Output Current.

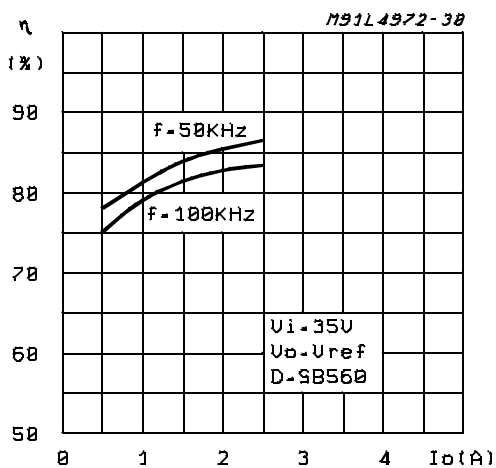


Figure 33 : Test PCB Thermal Characteristic.

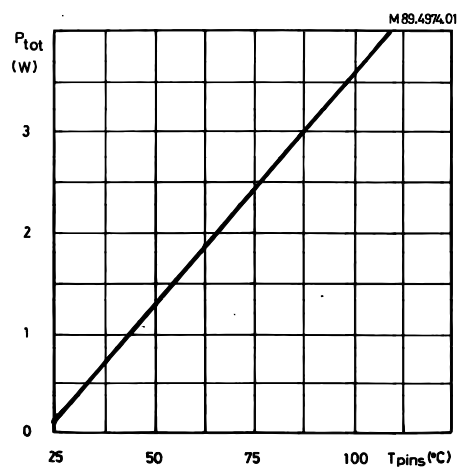


Figure 34 : Junction to Ambient Thermal Resistance vs. Area on Board Heatsink (DIP 16+2+2)

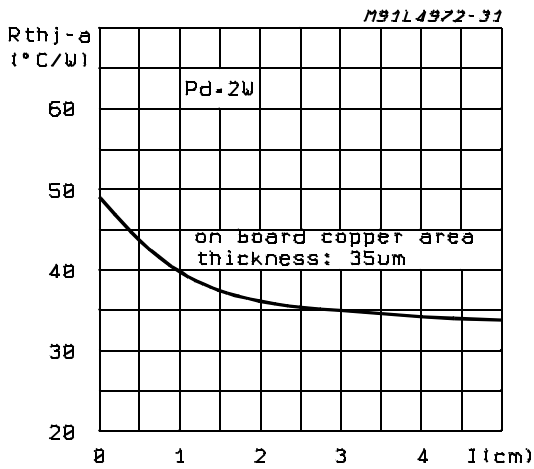


Figure 35: Junction to Ambient Thermal Resistance vs. Area on Board Heatsink (SO20)

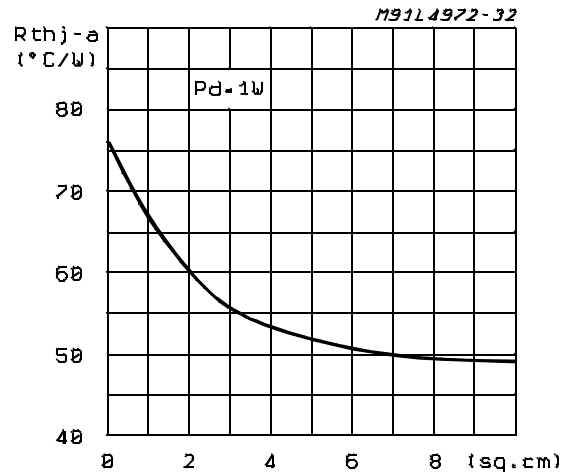


Figure 36: Maximum Allowable Power Dissipation vs. Ambient Temperature (Powerdip)

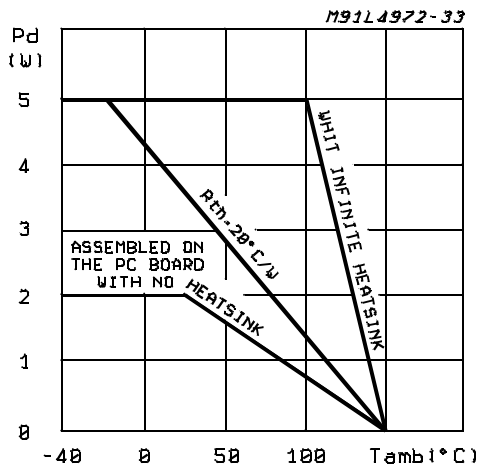


Figure 37: Maximum Allowable Power Dissipation vs. Ambient Temperature (SO20)

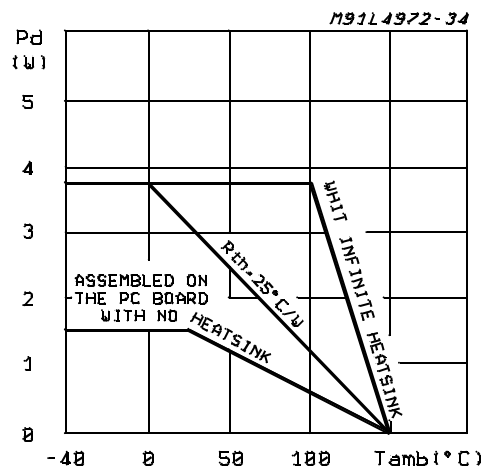


Figure 38: Open Loop Frequency and Phase of Error Amplifier (see fig. 7C).

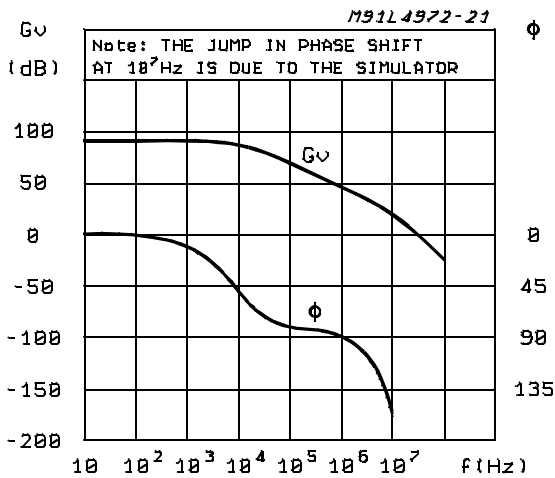


Figure 39 : 2A – 5.1V Low Cost Application Circuit.

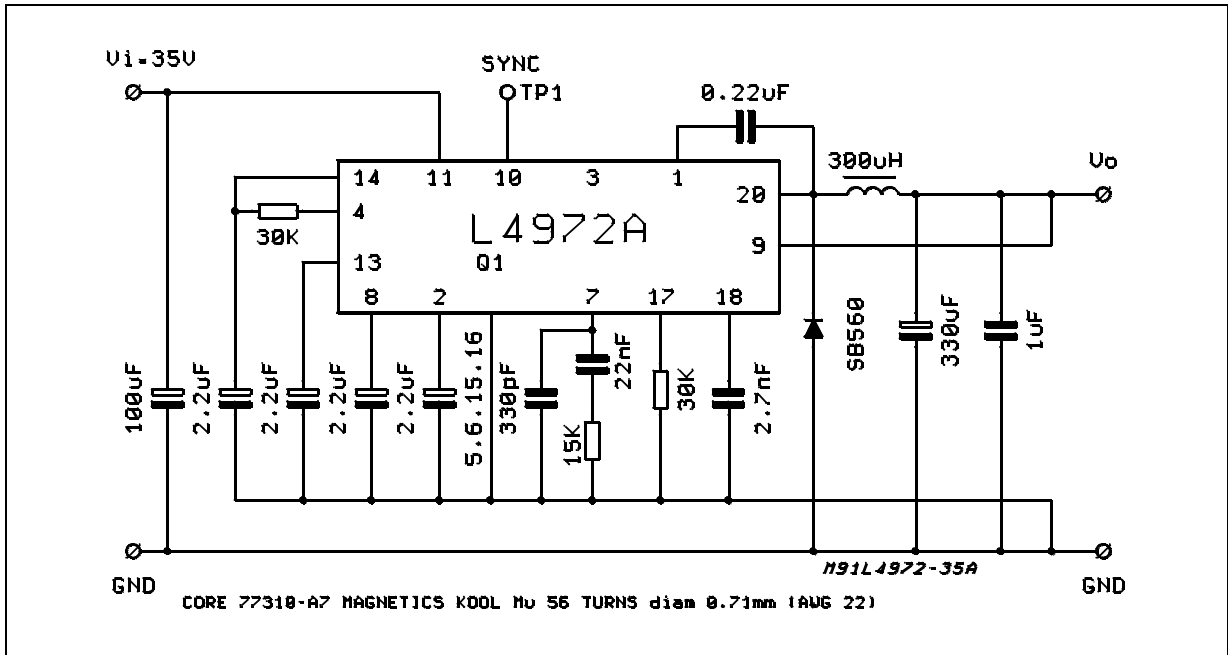
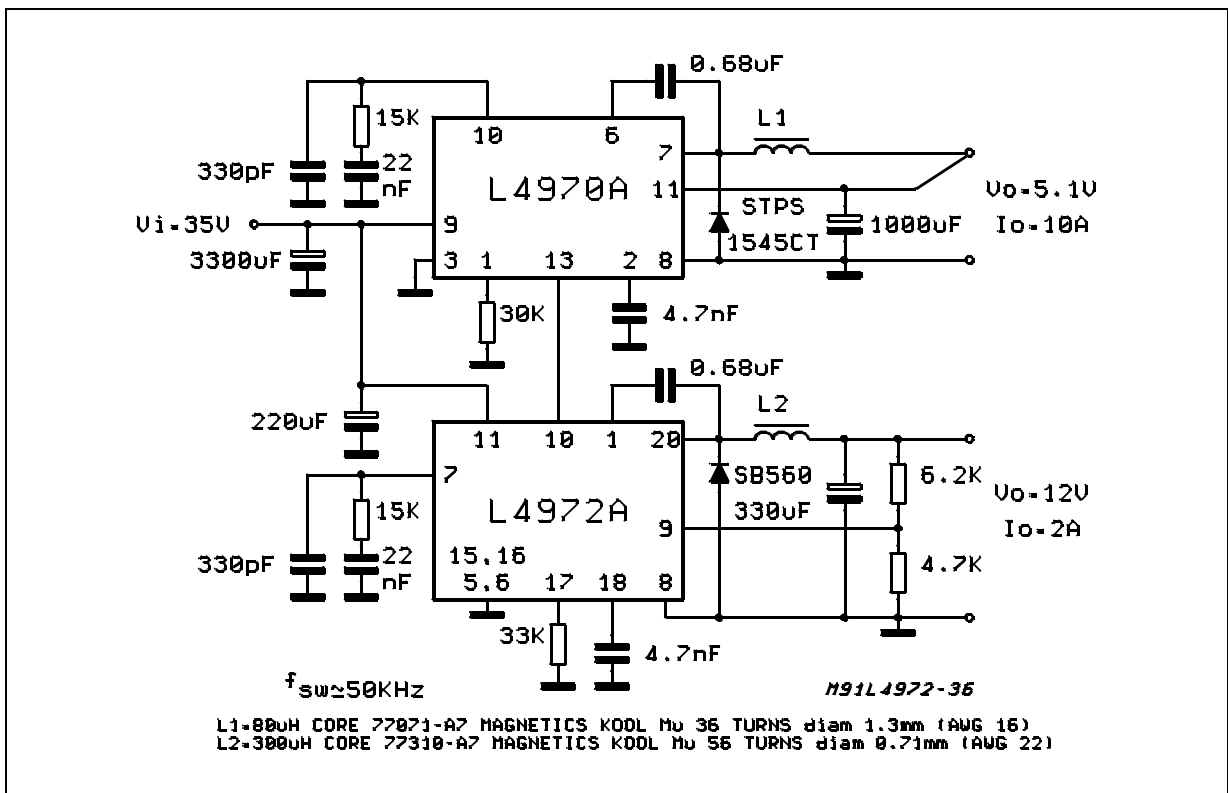


Figure 40 : A 5.1V/12V Multiple Supply. Note the Synchronization between the L4972A and L4970A.



L4972A-L4972AD

Figure 41 : L4972A's Sync. Example.

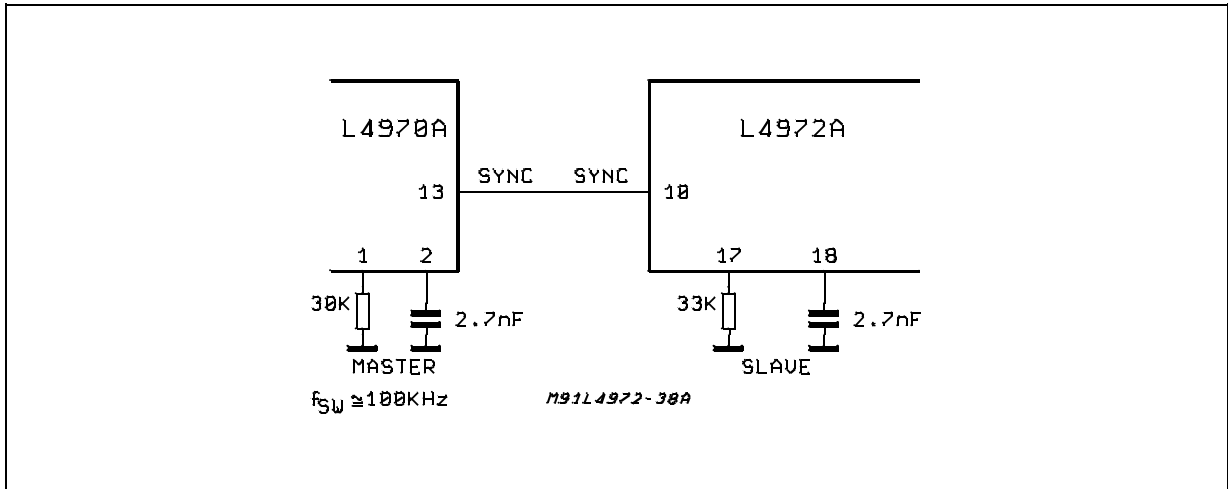
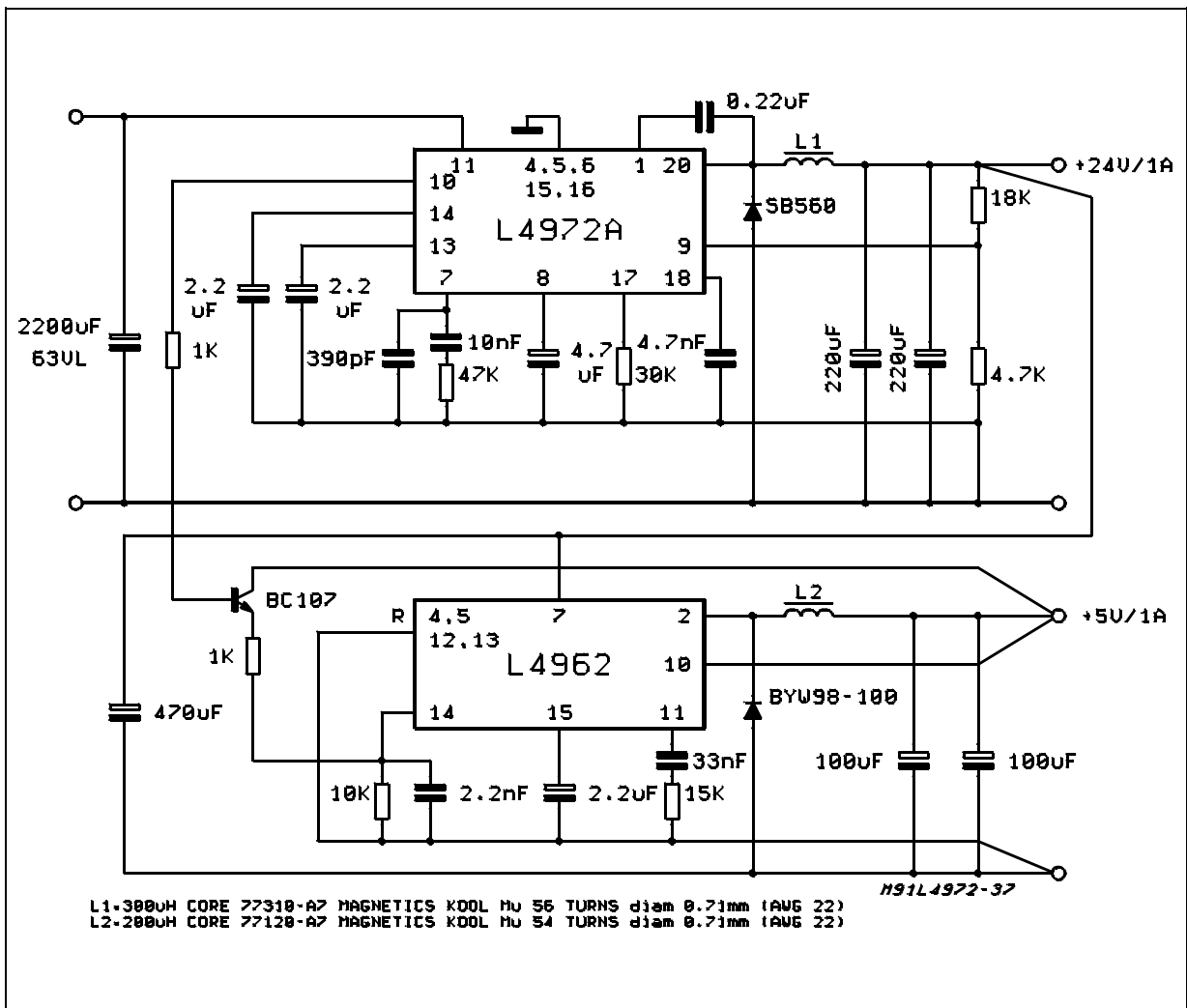
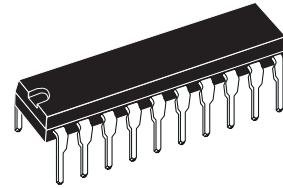


Figure 42: 1A/24V Multiple Supply. Note the synchronization between the L4972A and L4962

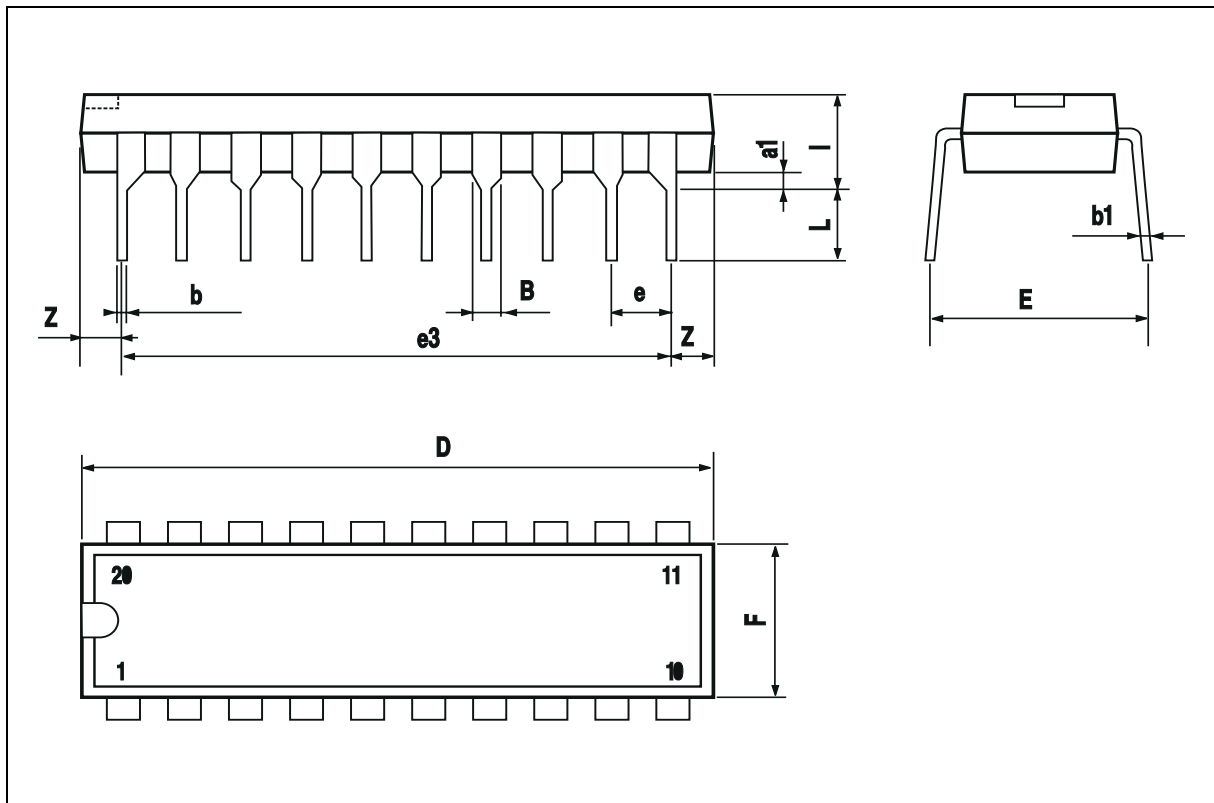


| DIM. | mm | | | inch | | |
|------|------|-------|-------|-------|-------|-------|
| | MIN. | TYP. | MAX. | MIN. | TYP. | MAX. |
| a1 | 0.51 | | | 0.020 | | |
| B | 0.85 | | 1.40 | 0.033 | | 0.055 |
| b | | 0.50 | | | 0.020 | |
| b1 | 0.38 | | 0.50 | 0.015 | | 0.020 |
| D | | | 24.80 | | | 0.976 |
| E | | 8.80 | | | 0.346 | |
| e | | 2.54 | | | 0.100 | |
| e3 | | 22.86 | | | 0.900 | |
| F | | | 7.10 | | | 0.280 |
| I | | | 5.10 | | | 0.201 |
| L | | 3.30 | | | 0.130 | |
| Z | | | 1.27 | | | 0.050 |

OUTLINE AND MECHANICAL DATA



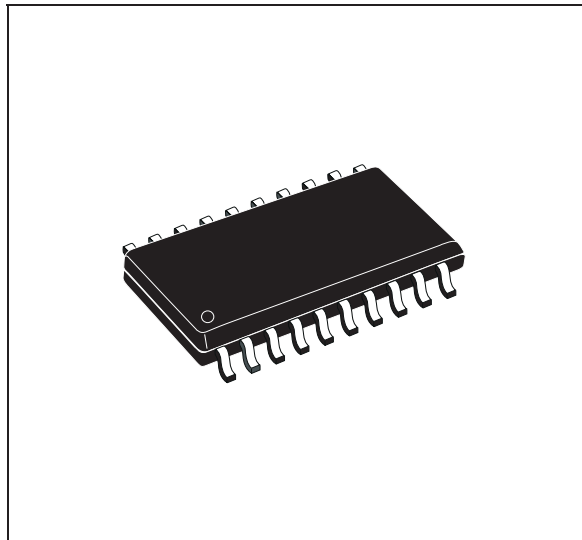
Powerdip 20



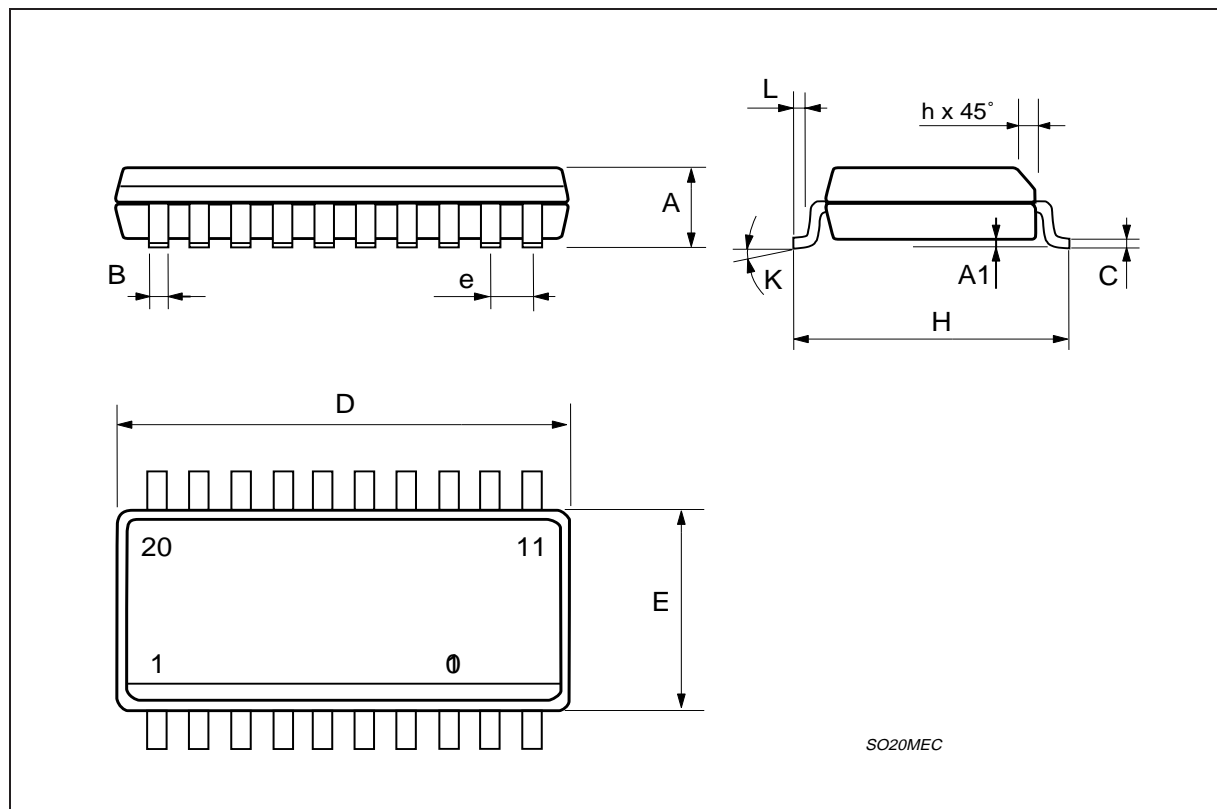
L4972A-L4972AD

| DIM. | mm | | | inch | | |
|------|--------------------|------|-------|-------|-------|-------|
| | MIN. | TYP. | MAX. | MIN. | TYP. | MAX. |
| A | 2.35 | | 2.65 | 0.093 | | 0.104 |
| A1 | 0.1 | | 0.3 | 0.004 | | 0.012 |
| B | 0.33 | | 0.51 | 0.013 | | 0.020 |
| C | 0.23 | | 0.32 | 0.009 | | 0.013 |
| D | 12.6 | | 13 | 0.496 | | 0.512 |
| E | 7.4 | | 7.6 | 0.291 | | 0.299 |
| e | | 1.27 | | | 0.050 | |
| H | 10 | | 10.65 | 0.394 | | 0.419 |
| h | 0.25 | | 0.75 | 0.010 | | 0.030 |
| L | 0.4 | | 1.27 | 0.016 | | 0.050 |
| K | 0° (min.)8° (max.) | | | | | |

OUTLINE AND MECHANICAL DATA



SO20



SO20MEC

Information furnished is believed to be accurate and reliable. However, STMicroelectronics assumes no responsibility for the consequences of use of such information nor for any infringement of patents or other rights of third parties which may result from its use. No license is granted by implication or otherwise under any patent or patent rights of STMicroelectronics. Specification mentioned in this publication are subject to change without notice. This publication supersedes and replaces all information previously supplied. STMicroelectronics products are not authorized for use as critical components in life support devices or systems without express written approval of STMicroelectronics.

The ST logo is a registered trademark of STMicroelectronics
© 2000 STMicroelectronics – Printed in Italy – All Rights Reserved
STMicroelectronics GROUP OF COMPANIES

Australia - Brazil - China - Finland - France - Germany - Hong Kong - India - Italy - Japan - Malaysia - Malta - Morocco -
Singapore - Spain - Sweden - Switzerland - United Kingdom - U.S.A.

<http://www.st.com>