

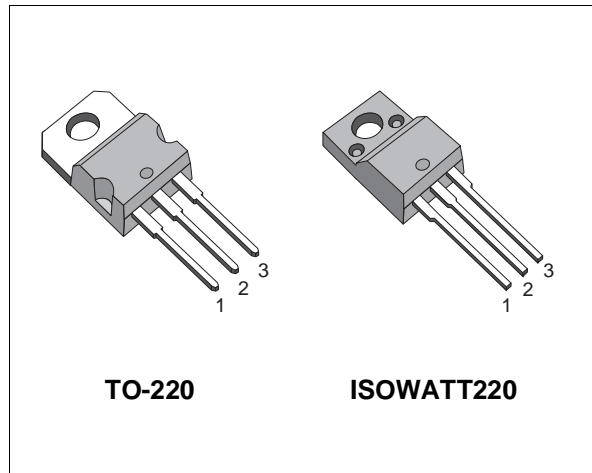
## N - CHANNEL ENHANCEMENT MODE LOW THRESHOLD POWER MOS TRANSISTOR

| TYPE        | V <sub>DSS</sub> | R <sub>DS(on)</sub> | I <sub>D</sub> |
|-------------|------------------|---------------------|----------------|
| STP21N06L   | 60 V             | < 0.085 Ω           | 21 A           |
| STP21N06LFI | 60 V             | < 0.085 Ω           | 14 A           |

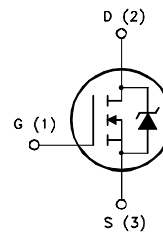
- TYPICAL R<sub>DS(on)</sub> = 0.065 Ω
- AVALANCHE RUGGED TECHNOLOGY
- 100% AVALANCHE TESTED
- REPETITIVE AVALANCHE DATA AT 100°C
- LOW GATE CHARGE
- LOGIC LEVEL COMPATIBLE INPUT
- 175 °C OPERATING TEMPERATURE
- APPLICATION ORIENTED CHARACTERIZATION

### APPLICATIONS

- HIGH CURRENT, HIGH SPEED SWITCHING
- SOLENOID AND RELAY DRIVERS
- REGULATORS
- DC-DC & DC-AC CONVERTERS
- MOTOR CONTROL, AUDIO AMPLIFIERS
- AUTOMOTIVE ENVIRONMENT (INJECTION, ABS, AIR-BAG, LAMPDRIVERS, Etc.)



### INTERNAL SCHEMATIC DIAGRAM



### ABSOLUTE MAXIMUM RATINGS

| Symbol              | Parameter   | Value      |             | Unit |
|---------------------|---|------------|-------------|------|
|                     |   | STP21N06L  | STP21N06LFI |      |
| V <sub>DS</sub>     | Drain-source Voltage (V <sub>GS</sub> = 0)            | 60         |             | V    |
| V <sub>DGR</sub>    | Drain- gate Voltage (R <sub>GS</sub> = 20 kΩ)         | 60         |             | V    |
| V <sub>GS</sub>     | Gate-source Voltage                                   | ± 15       |             | V    |
| I <sub>D</sub>      | Drain Current (continuous) at T <sub>c</sub> = 25 °C  | 21         | 14          | A    |
| I <sub>D</sub>      | Drain Current (continuous) at T <sub>c</sub> = 100 °C | 14         | 9           | A    |
| I <sub>DM</sub> (●) | Drain Current (pulsed)                                | 84         | 84          | A    |
| P <sub>tot</sub>    | Total Dissipation at T <sub>c</sub> = 25 °C           | 80         | 35          | W    |
|                     | Derating Factor                                       | 0.53       | 0.23        | W/°C |
| V <sub>ISO</sub>    | Insulation Withstand Voltage (DC)                     | —          | 2000        | V    |
| T <sub>stg</sub>    | Storage Temperature                                   | -65 to 175 |             | °C   |
| T <sub>j</sub>      | Max. Operating Junction Temperature                   | 175        |             | °C   |

(●) Pulse width limited by safe operating area

**THERMAL DATA**

|                       |  |     | TO-220 | ISOWATT220 |      |
|-----------------------|--|-----|--------|------------|------|
| R <sub>thj-case</sub> | Thermal Resistance Junction-case               | Max | 1.88   | 4.29       | °C/W |
| R <sub>thj-amb</sub>  | Thermal Resistance Junction-ambient            | Max | 62.5   |            | °C/W |
| R <sub>thc-sink</sub> | Thermal Resistance Case-sink                   | Typ | 0.5    |            | °C/W |
| T <sub>l</sub>        | Maximum Lead Temperature For Soldering Purpose |     | 300    |            | °C   |

**AVALANCHE CHARACTERISTICS**

| Symbol          | Parameter  | Max Value | Unit |
|-----------------|--|-----------|------|
| I <sub>AR</sub> | Avalanche Current, Repetitive or Not-Repetitive (pulse width limited by T <sub>j</sub> max, δ < 1%)                          | 21        | A    |
| E <sub>AS</sub> | Single Pulse Avalanche Energy (starting T <sub>j</sub> = 25 °C, I <sub>D</sub> = I <sub>AR</sub> , V <sub>DD</sub> = 25 V)   | 80        | mJ   |
| E <sub>AR</sub> | Repetitive Avalanche Energy (pulse width limited by T <sub>j</sub> max, δ < 1%)  | 20        | mJ   |
| I <sub>AR</sub> | Avalanche Current, Repetitive or Not-Repetitive (T <sub>c</sub> = 100 °C, pulse width limited by T <sub>j</sub> max, δ < 1%) | 14        | A    |

**ELECTRICAL CHARACTERISTICS** (T<sub>case</sub> = 25 °C unless otherwise specified)

OFF

| Symbol               | Parameter   | Test Conditions  | Min. | Typ. | Max.        | Unit     |
|----------------------|---|--|------|------|-------------|----------|
| V <sub>(BR)DSS</sub> | Drain-source Breakdown Voltage                        | I <sub>D</sub> = 250 μA V <sub>GS</sub> = 0  | 60   |      |             | V        |
| I <sub>DSS</sub>     | Zero Gate Voltage Drain Current (V <sub>GS</sub> = 0) | V <sub>DS</sub> = Max Rating<br>V <sub>DS</sub> = Max Rating x 0.8 T <sub>c</sub> = 125 °C |      |      | 250<br>1000 | μA<br>μA |
| I <sub>GSS</sub>     | Gate-body Leakage Current (V <sub>DS</sub> = 0)       | V <sub>GS</sub> = ± 15 V   |      |      | ± 100       | nA       |

ON (\*)

| Symbol              | Parameter                         | Test Conditions  | Min. | Typ.  | Max.          | Unit   |
|---------------------|-----------------------------------|--|------|-------|---------------|--------|
| V <sub>GS(th)</sub> | Gate Threshold Voltage            | V <sub>DS</sub> = V <sub>GS</sub> I <sub>D</sub> = 250 μA  | 1    | 1.6   | 2.5           | V      |
| R <sub>DS(on)</sub> | Static Drain-source On Resistance | V <sub>GS</sub> = 5 V I <sub>D</sub> = 10.5 A<br>V <sub>GS</sub> = 5 V I <sub>D</sub> = 10.5 A T <sub>c</sub> = 100 °C |      | 0.065 | 0.085<br>0.17 | Ω<br>Ω |
| I <sub>D(on)</sub>  | On State Drain Current            | V <sub>DS</sub> > I <sub>D(on)</sub> x R <sub>DS(on)max</sub><br>V <sub>GS</sub> = 10 V                                | 21   |       |               | A      |

**DYNAMIC**

| Symbol              | Parameter                    | Test Conditions   | Min. | Typ. | Max. | Unit |
|---------------------|------------------------------|---|------|------|------|------|
| g <sub>fs</sub> (*) | Forward Transconductance     | V <sub>DS</sub> > I <sub>D(on)</sub> x R <sub>DS(on)max</sub> I <sub>D</sub> = 10.5 A | 6    | 15   |      | S    |
| C <sub>iss</sub>    | Input Capacitance            | V <sub>DS</sub> = 25 V f = 1 MHz V <sub>GS</sub> = 0                                  |      | 700  | 1000 | pF   |
| C <sub>oss</sub>    | Output Capacitance           |   |      | 250  | 350  | pF   |
| C <sub>rss</sub>    | Reverse Transfer Capacitance |   |      | 70   | 100  | pF   |

**ELECTRICAL CHARACTERISTICS** (continued)

**SWITCHING ON**

| Symbol                        | Parameter  | Test Conditions  | Min. | Typ.          | Max.      | Unit           |
|-------------------------------|--|--|------|---------------|-----------|----------------|
| $t_{d(on)}$<br>$t_r$          | Turn-on Time<br>Rise Time                                    | $V_{DD} = 30\text{ V}$ $I_D = 10.5\text{ A}$<br>$R_G = 50\ \Omega$ $V_{GS} = 5\text{ V}$<br>(see test circuit, figure 3) |      | 65<br>370     | 95<br>530 | ns<br>ns       |
| $(di/dt)_{on}$                | Turn-on Current Slope  | $V_{DD} = 40\text{ V}$ $I_D = 21\text{ A}$<br>$R_G = 50\ \Omega$ $V_{GS} = 5\text{ V}$<br>(see test circuit, figure 5)   |      | 130           |           | A/ $\mu$ s     |
| $Q_g$<br>$Q_{gs}$<br>$Q_{gd}$ | Total Gate Charge<br>Gate-Source Charge<br>Gate-Drain Charge | $V_{DD} = 40\text{ V}$ $I_D = 21\text{ A}$ $V_{GS} = 5\text{ V}$   |      | 18<br>6<br>10 | 26        | nC<br>nC<br>nC |

**SWITCHING OFF**

| Symbol        | Parameter             | Test Conditions  | Min. | Typ. | Max. | Unit |
|---------------|-----------------------|--|------|------|------|------|
| $t_{r(Voff)}$ | Off-voltage Rise Time | $V_{DD} = 40\text{ V}$ $I_D = 21\text{ A}$                               |      | 70   | 100  | ns   |
| $t_f$         | Fall Time             | $R_G = 50\ \Omega$ $V_{GS} = 5\text{ V}$<br>(see test circuit, figure 5) |      | 100  | 150  | ns   |
| $t_c$         | Cross-over Time       |  |      | 180  | 260  | ns   |

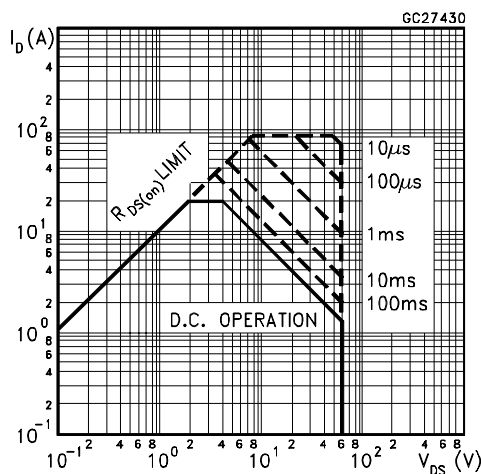
**SOURCE DRAIN DIODE**

| Symbol                            | Parameter  | Test Conditions   | Min. | Typ.            | Max.     | Unit               |
|-----------------------------------|--|---|------|-----------------|----------|--------------------|
| $I_{SD}$<br>$I_{SDM}(\bullet)$    | Source-drain Current<br>Source-drain Current (pulsed)                        |   |      |                 | 21<br>84 | A<br>A             |
| $V_{SD} (*)$                      | Forward On Voltage   | $I_{SD} = 21\text{ A}$ $V_{GS} = 0$   |      |                 | 1.6      | V                  |
| $t_{rr}$<br>$Q_{rr}$<br>$I_{RRM}$ | Reverse Recovery Time<br>Reverse Recovery Charge<br>Reverse Recovery Current | $I_{SD} = 21\text{ A}$ $di/dt = 100\text{ A}/\mu\text{s}$<br>$V_{DD} = 30\text{ V}$ $T_j = 150\text{ }^\circ\text{C}$<br>(see test circuit, figure 5) |      | 65<br>0.13<br>4 |          | ns<br>$\mu$ C<br>A |

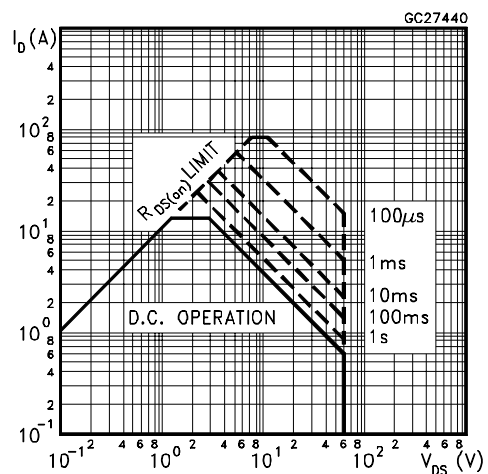
(\*) Pulsed: Pulse duration = 300  $\mu$ s, duty cycle 1.5 %

( $\bullet$ ) Pulse width limited by safe operating area

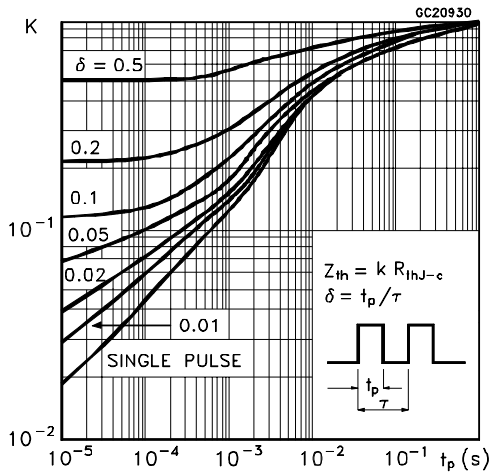
**Safe Operating Areas**



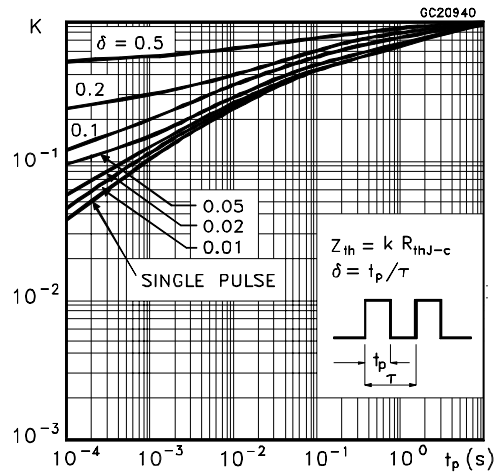
**Safe Operating Areas**



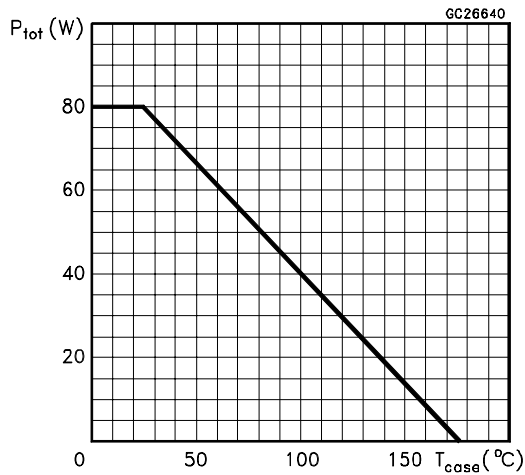
Thermal Impedance For TO-220



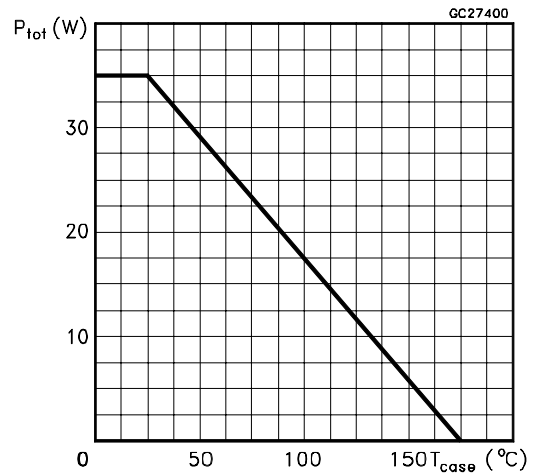
Thermal Impedance For ISOWATT220



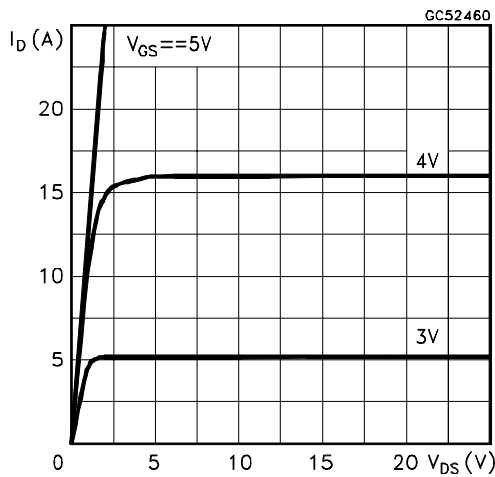
Derating Curve For TO-220



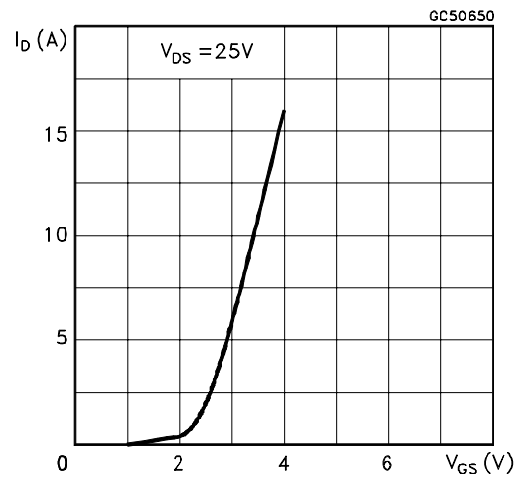
Derating Curve For ISOWATT220



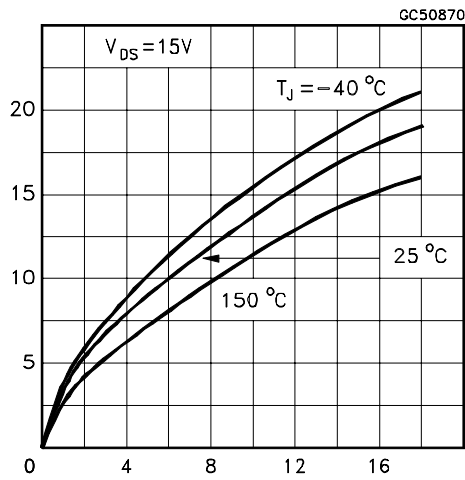
Output Characteristics



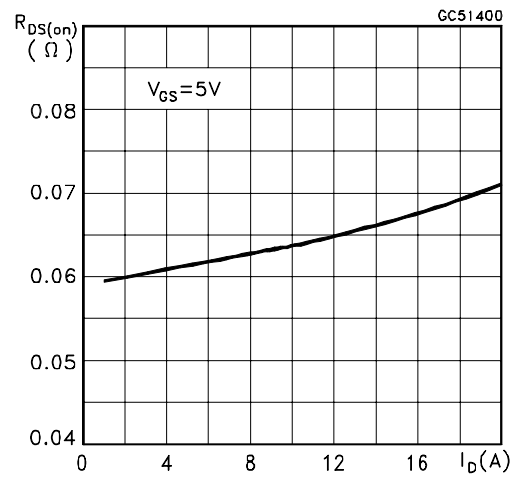
Transfer Characteristics



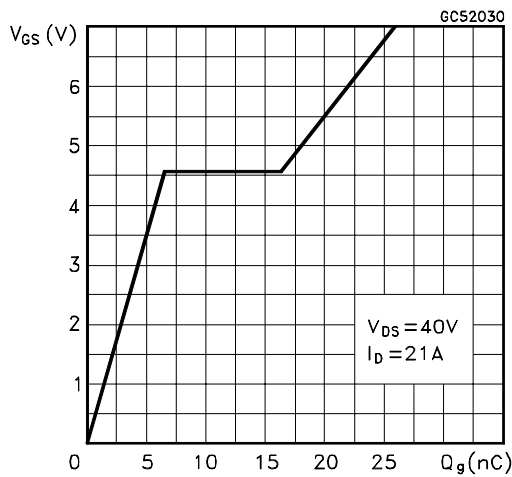
Transconductance



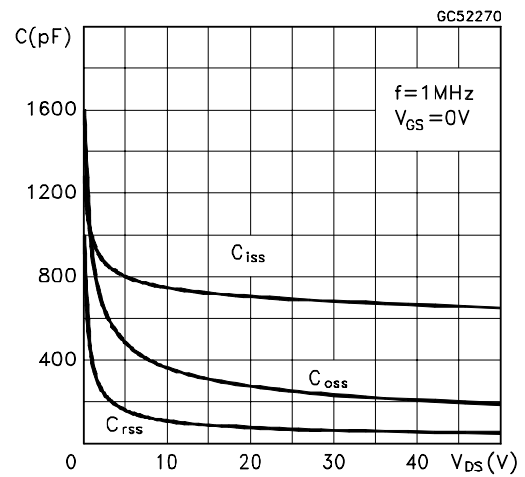
Static Drain-source On Resistance



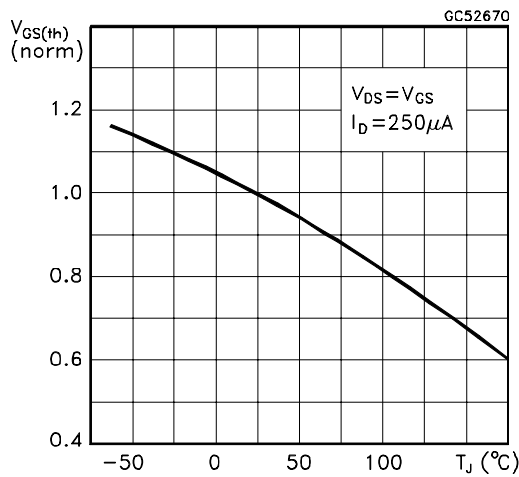
Gate Charge vs Gate-source Voltage



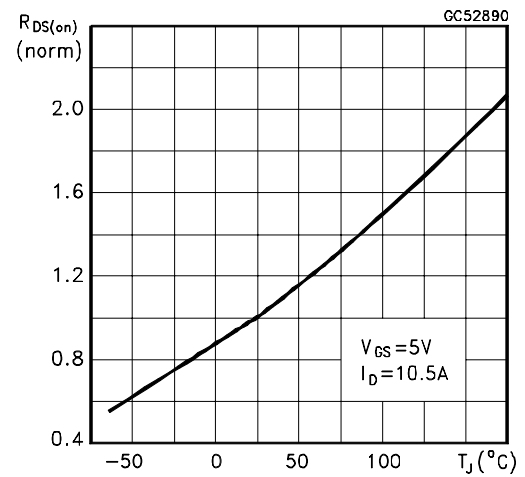
Capacitance Variations



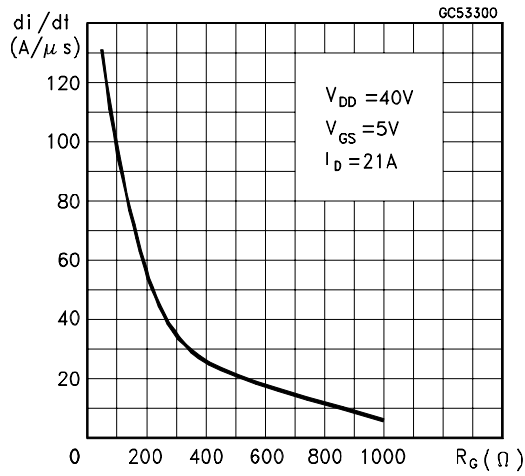
Normalized Gate Threshold Voltage vs Temperature



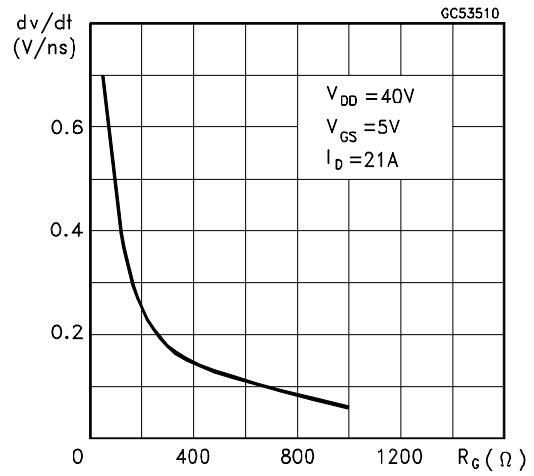
Normalized On Resistance vs Temperature



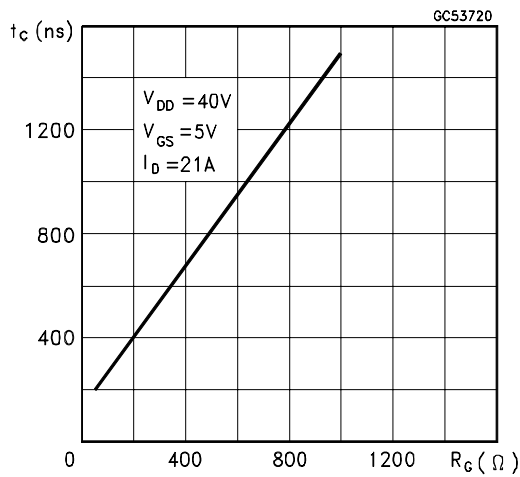
Turn-on Current Slope



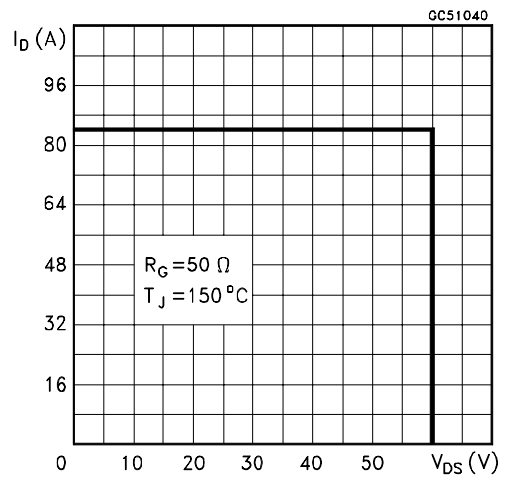
Turn-off Drain-source Voltage Slope



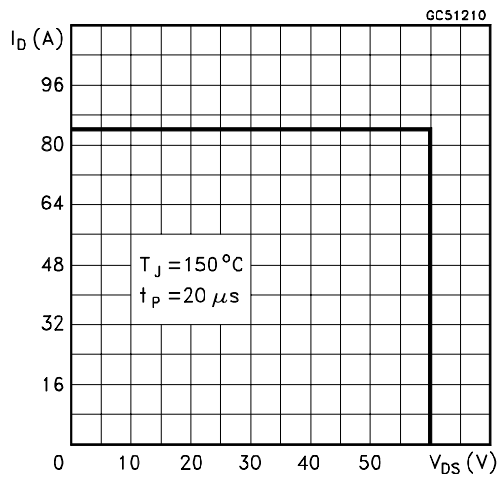
Cross-over Time



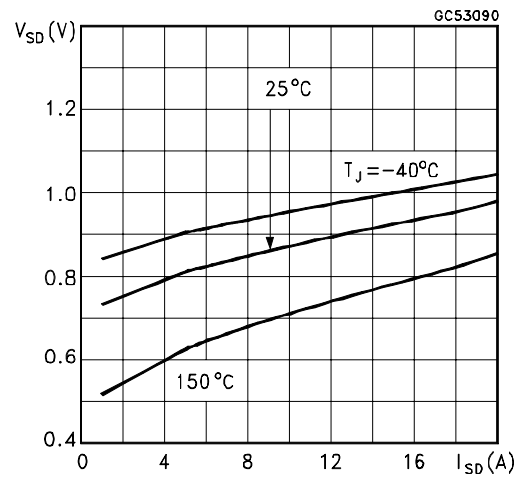
Switching Safe Operating Area



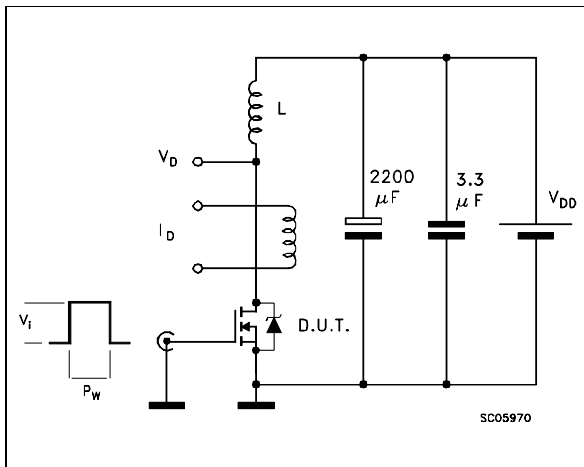
Accidental Overload Area



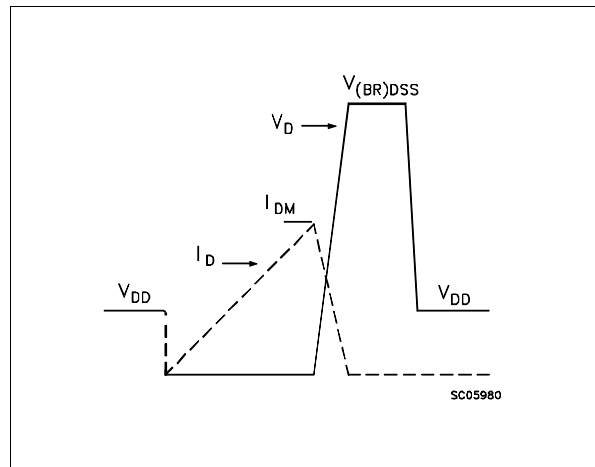
Source-drain Diode Forward Characteristics



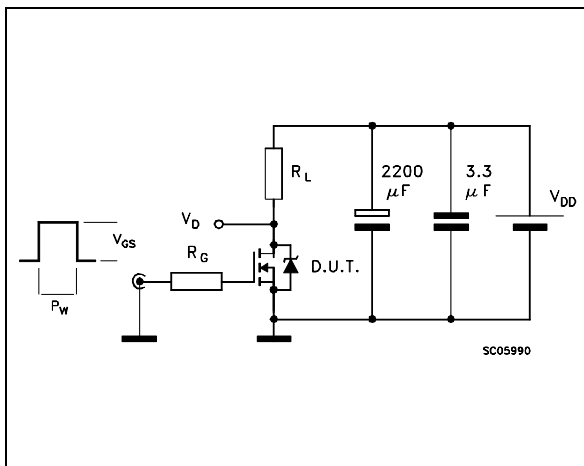
**Fig. 1: Unclamped Inductive Load Test Circuits**



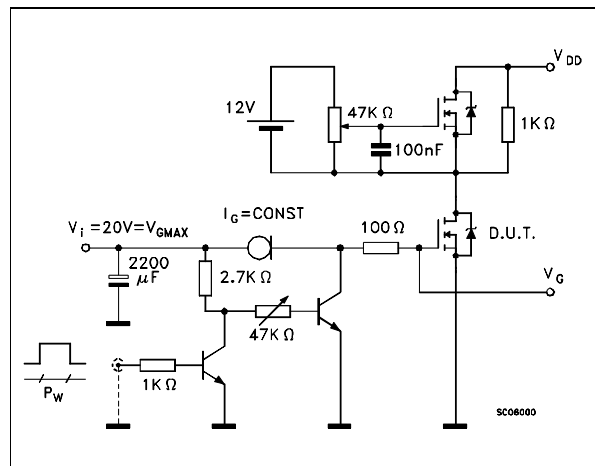
**Fig. 2: Unclamped Inductive Waveforms**



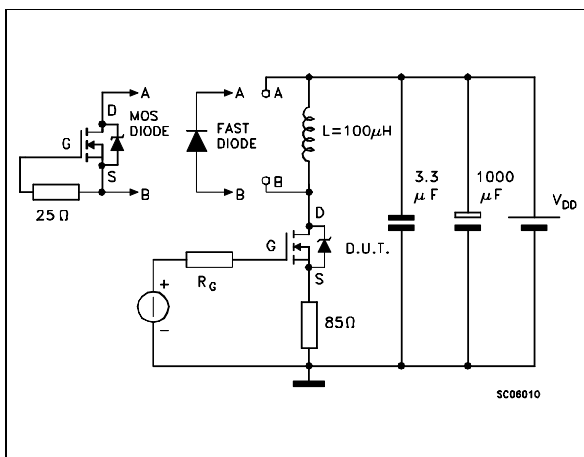
**Fig. 3: Switching Times Test Circuits For Resistive Load**



**Fig. 4: Gate Charge Test Circuit**

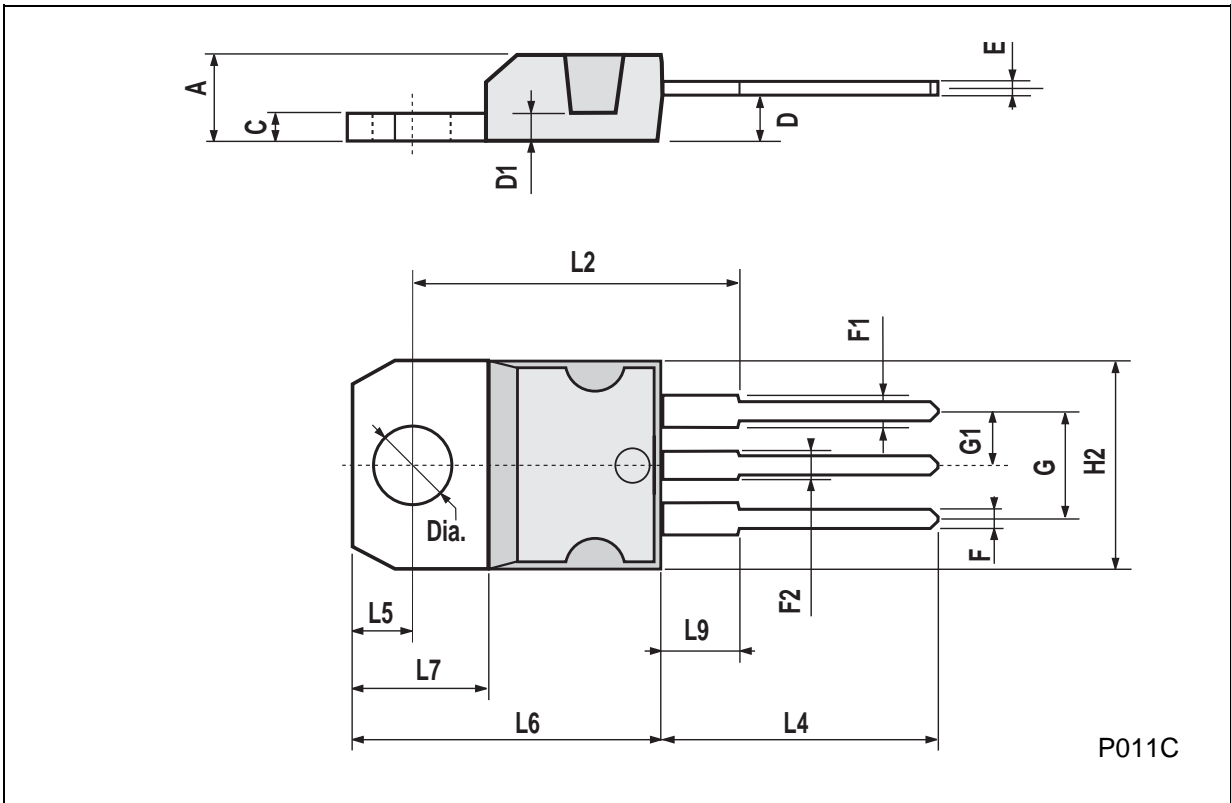


**Fig. 5: Test Circuit For Inductive Load Switching And Diode Reverse Recovery Time**



**TO-220 MECHANICAL DATA**

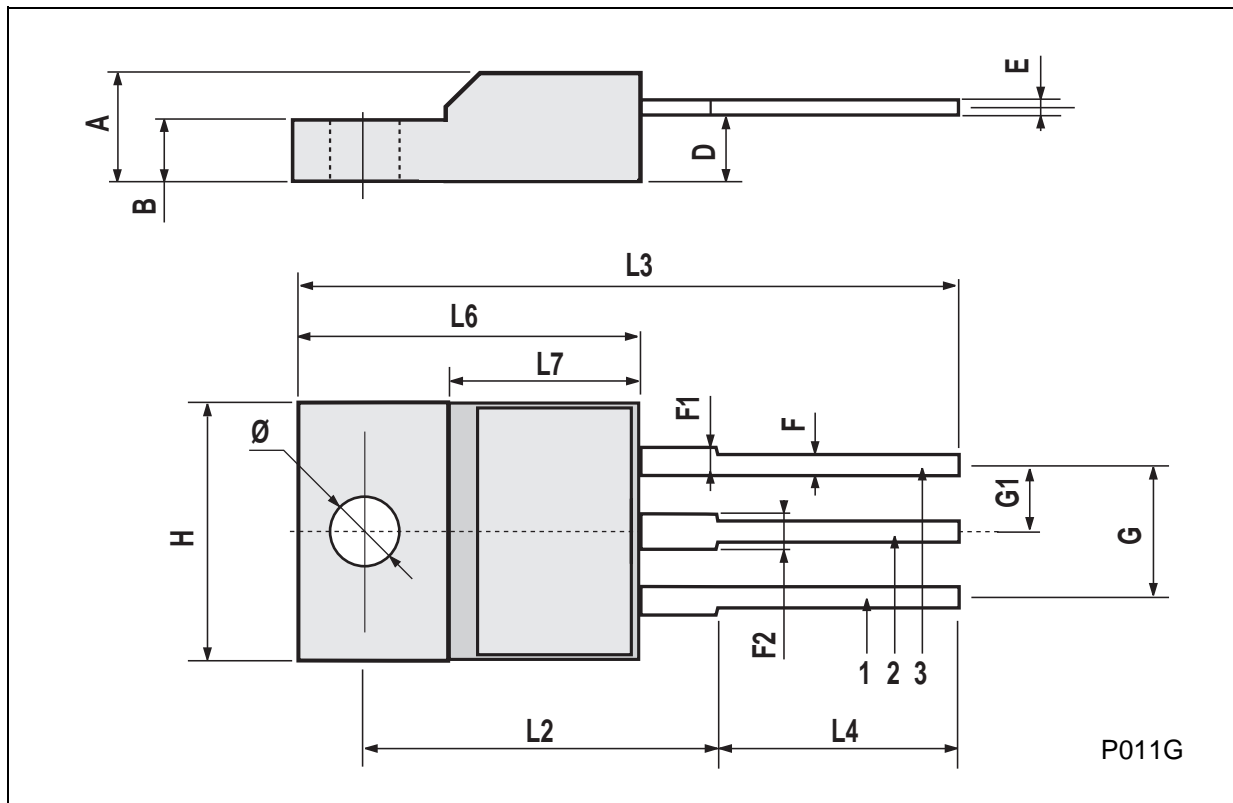
| DIM. | mm    |      |       | inch  |       |       |
|------|-------|------|-------|-------|-------|-------|
|      | MIN.  | TYP. | MAX.  | MIN.  | TYP.  | MAX.  |
| A    | 4.40  |      | 4.60  | 0.173 |       | 0.181 |
| C    | 1.23  |      | 1.32  | 0.048 |       | 0.051 |
| D    | 2.40  |      | 2.72  | 0.094 |       | 0.107 |
| D1   |       | 1.27 |       |       | 0.050 |       |
| E    | 0.49  |      | 0.70  | 0.019 |       | 0.027 |
| F    | 0.61  |      | 0.88  | 0.024 |       | 0.034 |
| F1   | 1.14  |      | 1.70  | 0.044 |       | 0.067 |
| F2   | 1.14  |      | 1.70  | 0.044 |       | 0.067 |
| G    | 4.95  |      | 5.15  | 0.194 |       | 0.203 |
| G1   | 2.4   |      | 2.7   | 0.094 |       | 0.106 |
| H2   | 10.0  |      | 10.40 | 0.393 |       | 0.409 |
| L2   |       | 16.4 |       |       | 0.645 |       |
| L4   | 13.0  |      | 14.0  | 0.511 |       | 0.551 |
| L5   | 2.65  |      | 2.95  | 0.104 |       | 0.116 |
| L6   | 15.25 |      | 15.75 | 0.600 |       | 0.620 |
| L7   | 6.2   |      | 6.6   | 0.244 |       | 0.260 |
| L9   | 3.5   |      | 3.93  | 0.137 |       | 0.154 |
| DIA. | 3.75  |      | 3.85  | 0.147 |       | 0.151 |





## ISOWATT220 MECHANICAL DATA

| DIM. | mm   |      |      | inch  |       |       |
|------|------|------|------|-------|-------|-------|
|      | MIN. | TYP. | MAX. | MIN.  | TYP.  | MAX.  |
| A    | 4.4  |      | 4.6  | 0.173 |       | 0.181 |
| B    | 2.5  |      | 2.7  | 0.098 |       | 0.106 |
| D    | 2.5  |      | 2.75 | 0.098 |       | 0.108 |
| E    | 0.4  |      | 0.7  | 0.015 |       | 0.027 |
| F    | 0.75 |      | 1    | 0.030 |       | 0.039 |
| F1   | 1.15 |      | 1.7  | 0.045 |       | 0.067 |
| F2   | 1.15 |      | 1.7  | 0.045 |       | 0.067 |
| G    | 4.95 |      | 5.2  | 0.195 |       | 0.204 |
| G1   | 2.4  |      | 2.7  | 0.094 |       | 0.106 |
| H    | 10   |      | 10.4 | 0.393 |       | 0.409 |
| L2   |      | 16   |      |       | 0.630 |       |
| L3   | 28.6 |      | 30.6 | 1.126 |       | 1.204 |
| L4   | 9.8  |      | 10.6 | 0.385 |       | 0.417 |
| L6   | 15.9 |      | 16.4 | 0.626 |       | 0.645 |
| L7   | 9    |      | 9.3  | 0.354 |       | 0.366 |
| Ø    | 3    |      | 3.2  | 0.118 |       | 0.126 |



Information furnished is believed to be accurate and reliable. However, SGS-THOMSON Microelectronics assumes no responsibility for the consequences of use of such information nor for any infringement of patents or other rights of third parties which may result from its use. No license is granted by implication or otherwise under any patent or patent rights of SGS-THOMSON Microelectronics. Specifications mentioned in this publication are subject to change without notice. This publication supersedes and replaces all information previously supplied. SGS-THOMSON Microelectronics products are not authorized for use as critical components in life support devices or systems without express written approval of SGS-THOMSON Microelectronics.

© 1994 SGS-THOMSON Microelectronics - All Rights Reserved

SGS-THOMSON Microelectronics GROUP OF COMPANIES

Australia - Brazil - France - Germany - Hong Kong - Italy - Japan - Korea - Malaysia - Malta - Morocco - The Netherlands -  
Singapore - Spain - Sweden - Switzerland - Taiwan - Thailand - United Kingdom - U.S.A