



STX715

NPN MEDIUM POWER TRANSISTOR

| Type | Marking |
|--------|---------|
| STX715 | X715 |

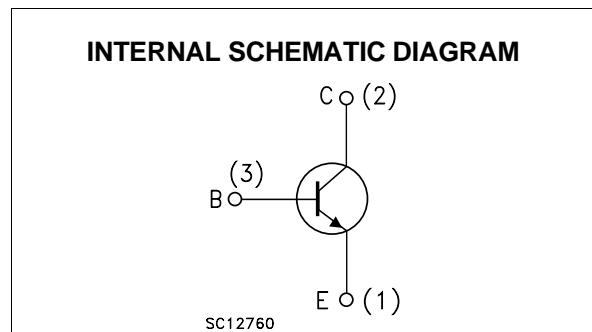
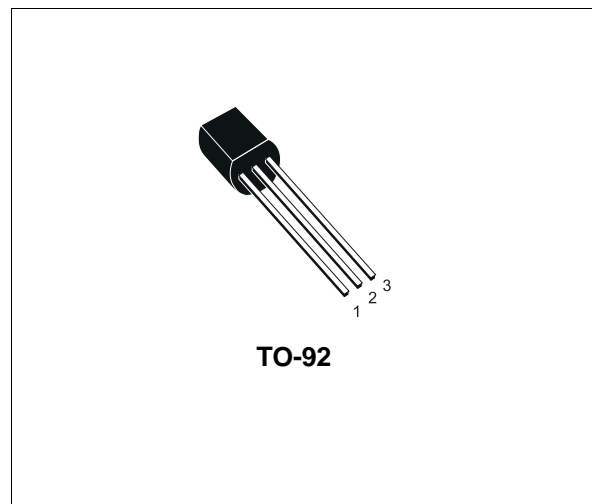
- DEVICE SUITABLE FOR THROUGH-HOLE PCB ASSEMBLY

APPLICATIONS

- VOLTAGE REGULATION
- RELAY DRIVER
- GENERIC SWITCH

DESCRIPTION

The STX715 is a NPN transistor manufactured using Planar Technology resulting in rugged high performance devices.



ABSOLUTE MAXIMUM RATINGS

| Symbol | Parameter | Value | Unit |
|-----------|---|------------|------|
| V_{CBO} | Collector-Base Voltage ($I_E = 0$) | 140 | V |
| V_{CEO} | Collector-Emitter Voltage ($I_B = 0$) | 80 | V |
| V_{EBO} | Emitter-Base Voltage ($I_C = 0$) | 5 | V |
| I_C | Collector Current | 1.5 | A |
| I_{CM} | Collector Peak Current ($t_p < 5$ ms) | 2 | A |
| I_B | Base Current | 0.3 | A |
| I_{BM} | Base Peak Current ($t_p < 5$ ms) | 0.6 | A |
| P_{tot} | Total Dissipation at $T_{amb} = 25$ °C | 0.9 | W |
| T_{stg} | Storage Temperature | -65 to 150 | °C |
| T_j | Max. Operating Junction Temperature | 150 | °C |

STX715

THERMAL DATA

| | | | | |
|-----------------------|-------------------------------------|-----|------|------|
| R _{thj-case} | Thermal Resistance Junction-case | Max | 44.6 | °C/W |
| R _{thj-amb} | Thermal Resistance Junction-ambient | Max | 139 | °C/W |

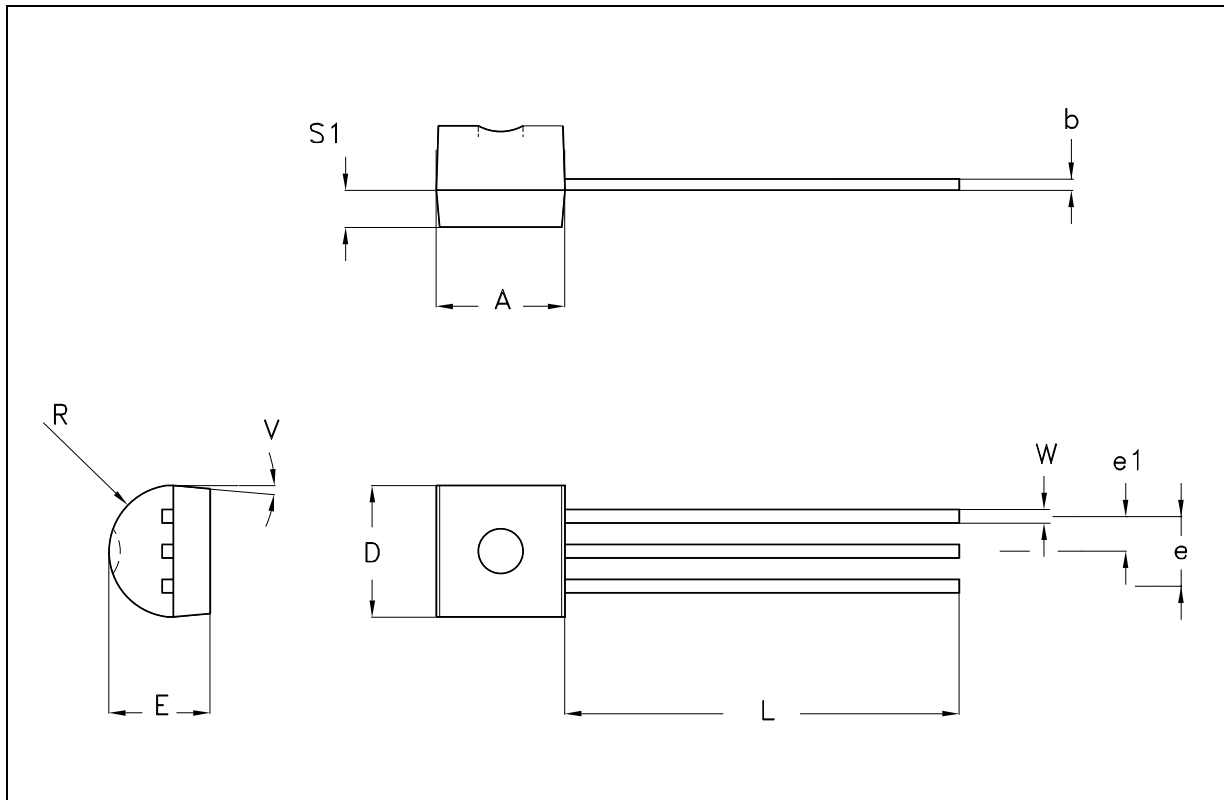
ELECTRICAL CHARACTERISTICS (T_{case} = 25 °C unless otherwise specified)

| Symbol | Parameter | Test Conditions | Min. | Typ. | Max. | Unit |
|------------------------|---|--|---|-----------------|-------------|--------|
| I _{CES} | Collector Cut-off Current (V _{BE} = 0) | V _{CE} = 140 V | | | 500 | μA |
| I _{CEO} | Collector Cut-off Current (I _B = 0) | V _{CE} = 80 V | | | 1 | mA |
| I _{EBO} | Emitter Cut-off Current (I _C = 0) | V _{EB} = 5 V | | | 100 | μA |
| V _{CEO(sus)*} | Collector-Emitter Sustaining Voltage (I _B = 0) | I _C = 10 mA | 80 | | | V |
| V _{CE(sat)*} | Collector-Emitter Saturation Voltage | I _C = 100 mA I _C = 1 A | I _B = 10 mA I _B = 100 mA | | 0.25 0.5 | V V |
| V _{BE(sat)*} | Base-Emitter Saturation Voltage | I _C = 100 mA I _C = 1 A | I _B = 10 mA I _B = 100 mA | | 1 1.1 | V V |
| h _{FE*} | DC Current Gain | I _C = 100 mA I _C = 500 mA I _C = 1 A | V _{CE} = 2 V V _{CE} = 2 V V _{CE} = 2 V | 140 80 40 | | |
| f _T | Transition Frequency | I _C = 0.1 A | V _{CE} = 10 V | | 50 | MHz |

* Pulsed: Pulse duration = 300 μs, duty cycle 1.5 %

TO-92 MECHANICAL DATA

| DIM. | mm | | | inch | | |
|------|----------|------|----------|----------|------|----------|
| | MIN. | TYP. | MAX. | MIN. | TYP. | MAX. |
| A | 4.32 | | 4.95 | 0.170 | | 0.195 |
| b | 0.36 | | 0.51 | 0.014 | | 0.020 |
| D | 4.45 | | 4.95 | 0.175 | | 0.194 |
| E | 3.30 | | 3.94 | 0.130 | | 0.155 |
| e | 2.41 | | 2.67 | 0.095 | | 0.105 |
| e1 | 1.14 | | 1.40 | 0.045 | | 0.055 |
| L | 12.70 | | 15.49 | 0.500 | | 0.609 |
| R | 2.16 | | 2.41 | 0.085 | | 0.094 |
| S1 | 1.14 | | 1.52 | 0.045 | | 0.059 |
| W | 0.41 | | 0.56 | 0.016 | | 0.022 |
| V | 4 degree | | 6 degree | 4 degree | | 6 degree |



Information furnished is believed to be accurate and reliable. However, STMicroelectronics assumes no responsibility for the consequences of use of such information nor for any infringement of patents or other rights of third parties which may result from its use. No license is granted by implication or otherwise under any patent or patent rights of STMicroelectronics. Specification mentioned in this publication are subject to change without notice. This publication supersedes and replaces all information previously supplied. STMicroelectronics products are not authorized for use as critical components in life support devices or systems without express written approval of STMicroelectronics.

The ST logo is a trademark of STMicroelectronics

© 2002 STMicroelectronics – Printed in Italy – All Rights Reserved

STMicroelectronics GROUP OF COMPANIES

Australia - Brazil - Canada - China - Finland - France - Germany - Hong Kong - India - Israel - Italy - Japan - Malaysia - Malta - Morocco - Singapore - Spain - Sweden - Switzerland - United Kingdom - United States.

<http://www.st.com>