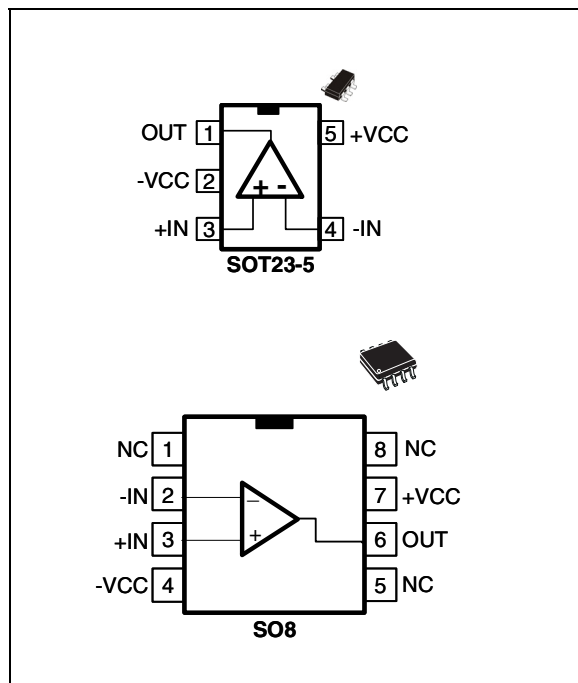


320-MHz Single Supply Video Amplifier Negative In/Out Rail

PRELIMINARY DATA

- Gain flatness of 110MHz
- Bandwidth: 320MHz
- Single supply operation down to 3V
- Tested on 5V power supply
- Negative input & output rail
- Very low harmonic distortion
- Slew rate: 400V/μs typ., 290V/μs min.
- Input noise: 3nV/√Hz
- Specified for 150Ω load

Pin Connections (top view)



Description

The TSH341 is a video operational amplifier of 320MHz bandwidth for only 9.3mA of quiescent current. This allows to achieve a gain flatness of 110MHz. Its structure features a very high slew rate of 290V/μs minimum guaranteed by test. With a very good THD associated to these characteristics the TSH341 is particularly intended in the high quality video systems.

The TSH341 is available in tiny SOT23-5 and SO8 plastic packages for size saving consideration.

Applications

- High end video systems
- High definition TV (HDTV)
- Broadcast video
- Multimedia products

Order Codes

Part Number	Temperature Range	Package	Packaging	Marking
TSH341ILT	-40°C to +85°C	SOT23-5	Tape & Reel	K307
TSH341ID		SO-8	Tube	TSH351I
TSH341IDT			Tape & Reel	TSH351I

1 Absolute Maximum Ratings

Table 1. Key parameters and their absolute maximum ratings

Symbol	Parameter	Value	Unit
V _{CC}	Supply voltage ¹	6	V
V _{id}	Differential Input Voltage ²	TBD	V
V _{in}	Input Voltage Range ³	TBD	V
T _{oper}	Operating Free Air Temperature Range	-40 to +85	°C
T _{std}	Storage Temperature	-65 to +150	°C
T _j	Maximum Junction Temperature	150	°C
R _{thjc}	Thermal Resistance Junction to Case SOT23-5 SO8	80 28	°C/W
R _{thja}	Thermal Resistance Junction to Ambient Area SOT23-5 SO8	250 175	°C/W
P _{max.}	Maximum Power Dissipation (@ Ta=25°C) for Tj=150°C SOT23-5 SO8	500 715	mW
ESD	CDM: Charged Device Model	TBD	kV
	HBM: Human Body Model	TBD	kV
	MM: Machine Model	TBD	V
	Output Short Circuit	4	

- 1) All voltage values, except differential voltage are with respect to network terminal.
- 2) Differential voltage are non-inverting input terminal with respect to the inverting input terminal.
- 3) The magnitude of input and output voltage must never exceed V_{CC} +0.3V.
- 4) An output current limitation protects the circuit from transient currents. Short-circuits can cause excessive heating. Destructive dissipation can result from short circuit on amplifiers.

Table 2. Operating Conditions

Symbol	Parameter	Value	Unit
V _{CC}	Power Supply Voltage	3 to 5.5 ¹	V
V _{icm}	Common Mode Input Voltage	-0.4 to 3	V

- 1) Tested in full production at 0V/5V single power supply

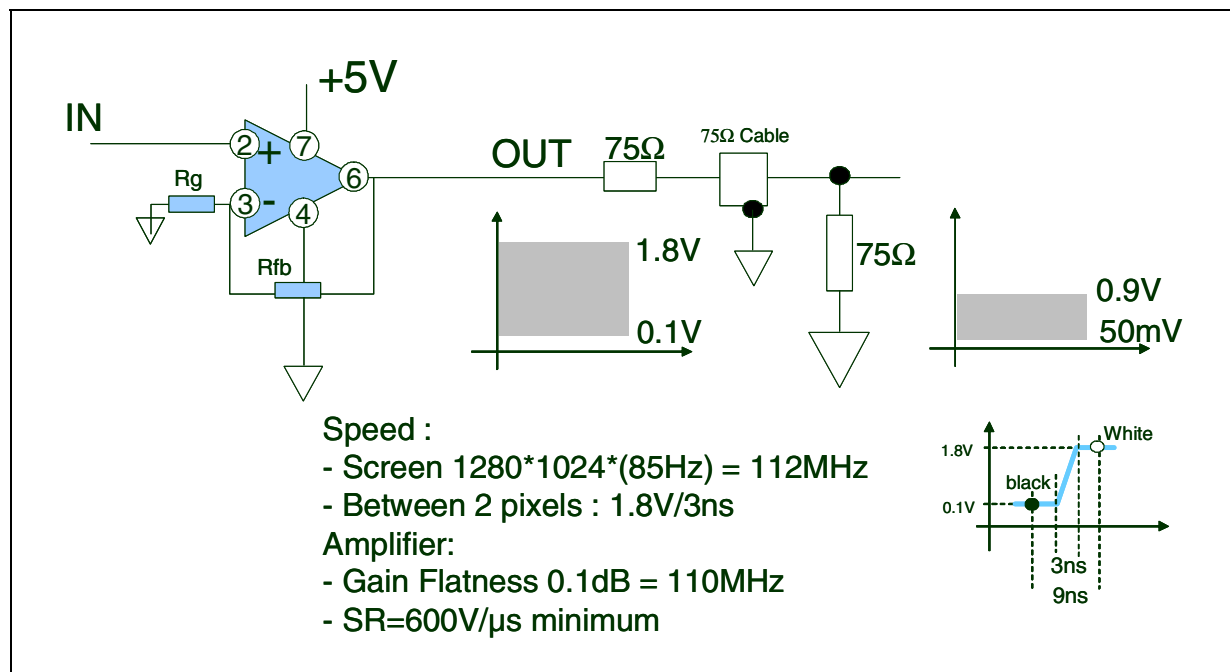
2 Electrical Characteristics

Table 3. $V_{CC} = +5V$, $T_{amb} = 25^{\circ}C$ (unless otherwise specified)

Symbol	Parameter	Test Condition	Min.	Typ.	Max.	Unit
DC PERFORMANCE						
V_{io}	Input Offset Voltage	T_{amb} , $V_{icm}=0.6V$		0.9	7	mV
		$-40^{\circ}C < T_{amb} < +85^{\circ}C$		8		
ΔV_{io}	V_{io} drift vs. Temperature	$-40^{\circ}C < T_{amb} < +85^{\circ}C$		TBD		$\mu V/^{\circ}C$
I_{ib}	Non Inverting Input Bias Current	T_{amb} , $V_{icm}=0.6V$		-6	-16	μA
		$-40^{\circ}C < T_{amb} < +85^{\circ}C$		-32		
A_{VD}	Open Loop Gain	$\Delta V_{OUT}=2V$, $R_L=150\Omega$	TBD	TBD	0	dB
CMR	Common Mode Rejection Ratio $20 \log (\Delta V_{icm}/\Delta V_{io})$	$\Delta V_{icm} = 2V$		-90		dB
		$-40^{\circ}C < T_{amb} < +85^{\circ}C$		TBD		
SVR	Supply Voltage Rejection Ratio $20 \log (\Delta V_{cc}/\Delta V_{io})$	$\Delta V_{cc}=4V$ to $5V$, $V_{icm}=0.6V$		-86		dB
		$-40^{\circ}C < T_{amb} < +85^{\circ}C$		TBD		
PSR	Power Supply Rejection Ratio $20 \log (\Delta V_{cc}/\Delta V_{out})$	$\Delta V_{cc}=200mVp-p$, $F=1MHz$		-77		dB
		$-40^{\circ}C < T_{amb} < +85^{\circ}C$		TBD		
R_{IN}	Input Resistance			TBD	0	Ω
C_{IN}	Input Capacitance			TBD	0	pF
ICC	Total Supply Current	No Load, $V_{icm}=0.6V$		9.3	12.7	mA
DYNAMIC PERFORMANCE and OUTPUT CHARACTERISTIC						
Bw	-3dB Bandwidth	Small Signal $V_{OUT}=20mVp$ Gain=1, $V_{icm}=0.6V$, $R_L=150\Omega$	178	327		MHz
	Gain Flatness @ 0.1dB	Small Signal $V_{OUT}=20mVp$ Gain=1, $V_{icm}=0.6V$, $R_L=150\Omega$		65		
FPBW	Full Power Bandwidth	$V_{icm}=2V$, $V_{OUT} = 2Vp-p$, Gain=1, $R_L = 150\Omega$	TBD	TBD		MHz
SR	Slew Rate	$V_{OUT}=2Vp-p$, $R_L=150\Omega$, Gain=1,		TBD		$V/\mu s$
V_{OH}	High Level Output Voltage	$R_L = 150\Omega$	3.8	3.87		V
V_{OL}	Low Level Output Voltage	$R_L = 150\Omega$		45	52	mV
I_{OUT}	Output Short Circuit Current	T_{amb}	50	95		mA
		$-40^{\circ}C < T_{amb} < +85^{\circ}C$		42		
ΔG	Differential Gain	$R_L = 150\Omega$		0.005		%
DF	Differential Phase	$R_L = 150\Omega$		0.005		$^{\circ}$
NOISE AND DISTORTION						
eN	Equivalent Input Noise Voltage	$F = 100kHz$		7		nV/\sqrt{Hz}
iN	Equivalent Input Noise Current (+)	$F = 100kHz$		TBD		pA/\sqrt{Hz}
HD2	2nd Harmonic Distortion	$V_{OUT}= 2Vp-p$, $R_L = 150\Omega$ Gain=2, $F= 10MHz$,		-70		dBc
HD3	3rd Harmonic Distortion	$V_{OUT}= 2Vp-p$, $R_L = 150\Omega$ Gain=2, $F= 10MHz$,		-57		dBc

3 Application Schematic

Figure 1. High-end video driver

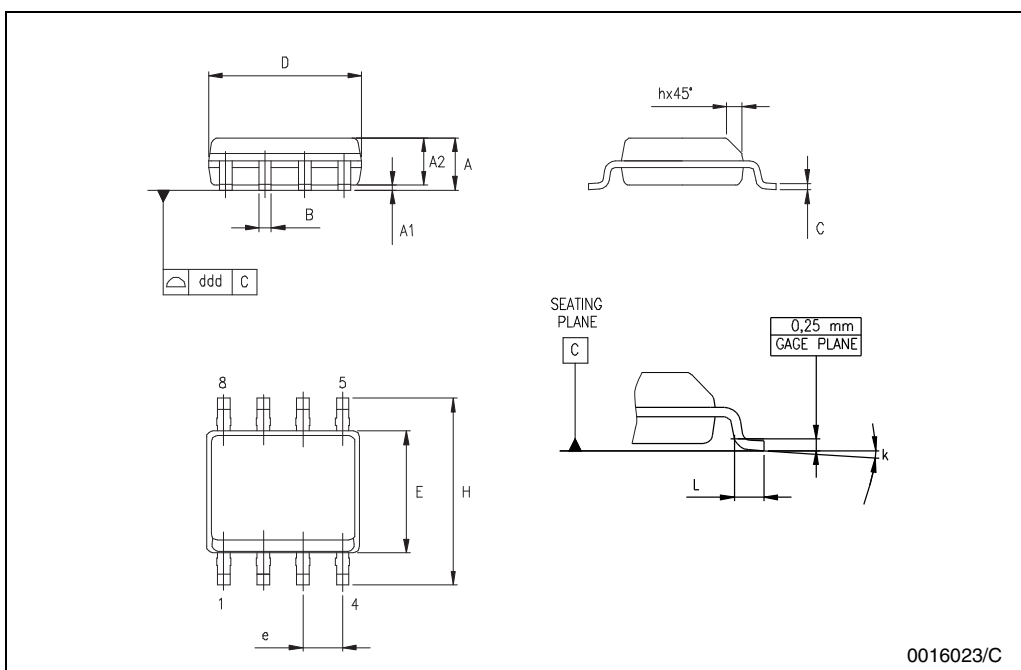


4 Package Mechanical Data

4.1 SO-8 Package

SO-8 MECHANICAL DATA

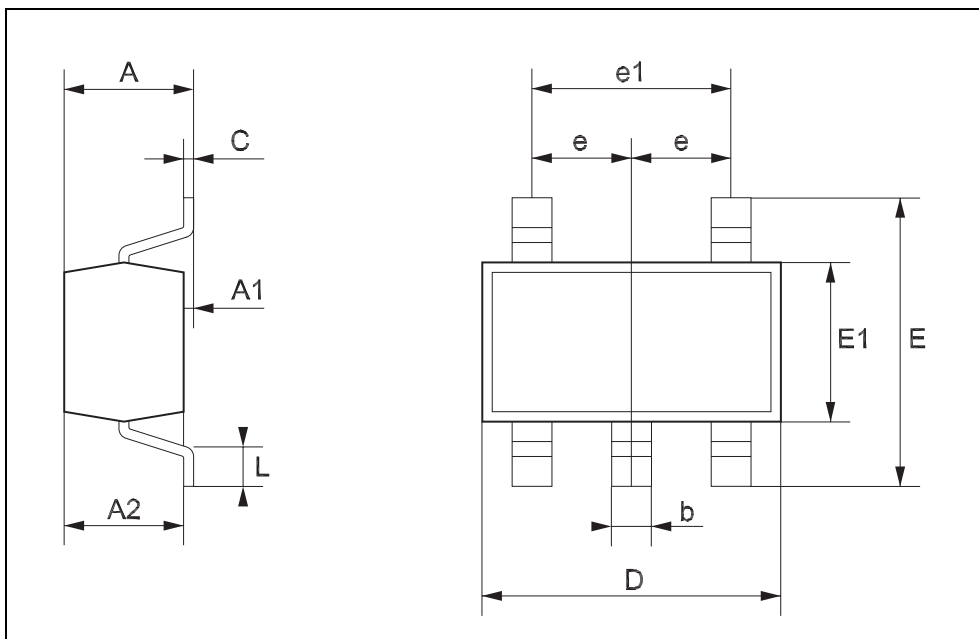
DIM.	mm.			inch		
	MIN.	TYP.	MAX.	MIN.	TYP.	MAX.
A	1.35		1.75	0.053		0.069
A1	0.10		0.25	0.04		0.010
A2	1.10		1.65	0.043		0.065
B	0.33		0.51	0.013		0.020
C	0.19		0.25	0.007		0.010
D	4.80		5.00	0.189		0.197
E	3.80		4.00	0.150		0.157
e		1.27			0.050	
H	5.80		6.20	0.228		0.244
h	0.25		0.50	0.010		0.020
L	0.40		1.27	0.016		0.050
k	8° (max.)					
ddd			0.1			0.04



4.2 5 pins - Tiny Package (SOT23)

SOT23-5L MECHANICAL DATA

DIM.	mm.			mils		
	MIN.	TYP.	MAX.	MIN.	TYP.	MAX.
A	0.90		1.45	35.4		57.1
A1	0.00		0.15	0.0		5.9
A2	0.90		1.30	35.4		51.2
b	0.35		0.50	13.7		19.7
C	0.09		0.20	3.5		7.8
D	2.80		3.00	110.2		118.1
E	2.60		3.00	102.3		118.1
E1	1.50		1.75	59.0		68.8
e		0.95			37.4	
e1		1.9			74.8	
L	0.35		0.55	13.7		21.6



5 Revision History

Date	Revision	Description of Changes
01 Jan. 2005	1	First release corresponding to Preliminary Data version of datasheet.

Information furnished is believed to be accurate and reliable. However, STMicroelectronics assumes no responsibility for the consequences of use of such information nor for any infringement of patents or other rights of third parties which may result from its use. No license is granted by implication or otherwise under any patent or patent rights of STMicroelectronics. Specifications mentioned in this publication are subject to change without notice. This publication supersedes and replaces all information previously supplied. STMicroelectronics products are not authorized for use as critical components in life support devices or systems without express written approval of STMicroelectronics.

The ST logo is a registered trademark of STMicroelectronics
All other names are the property of their respective owners

© 2005 STMicroelectronics - All rights reserved

STMicroelectronics group of companies

Australia - Belgium - Brazil - Canada - China - Czech Republic - Finland - France - Germany - Hong Kong - India - Israel - Italy - Japan -
Malaysia - Malta - Morocco - Singapore - Spain - Sweden - Switzerland - United Kingdom - United States of America
www.st.com