

MAXIM

+3.3V, 622Mbps SDH/SONET Laser Driver with Automatic Power Control

General Description

The MAX3668 is a complete, +3.3V laser driver with automatic power control (APC) circuitry for SDH/SONET applications up to 622Mbps. It accepts differential PECL inputs, provides bias and modulation currents, and operates over a temperature range of -40°C to +85°C.

An APC feedback loop is incorporated to maintain a constant average optical power over temperature and lifetime. The wide modulation current range of 5mA to 75mA and bias current of 1mA to 80mA are easy to program, making this product ideal for use in various SDH/SONET applications.

The MAX3668 also provides enable control and a failure-monitor output to indicate when the APC loop is unable to maintain the average optical power. The MAX3668 is available in a 5mm 32-pin TQFP package as well as in dice.

Applications

622Mbps SDH/SONET Access Nodes

Laser Driver Transmitters

Section Regenerators

Features

- ◆ Single +3.3V or +5.0V Operation
- ◆ 38mA Supply Current at +3.3V
- ◆ Programmable Modulation Current from 5mA to 75mA
- ◆ Programmable Bias Current from 1mA to 80mA
- ◆ Rise/Fall Time <200ps
- ◆ Automatic Average Power Control with Failure Monitor
- ◆ Complies with ANSI, ITU, and Bellcore SONET/SDH Specifications
- ◆ Enable Control

Ordering Information

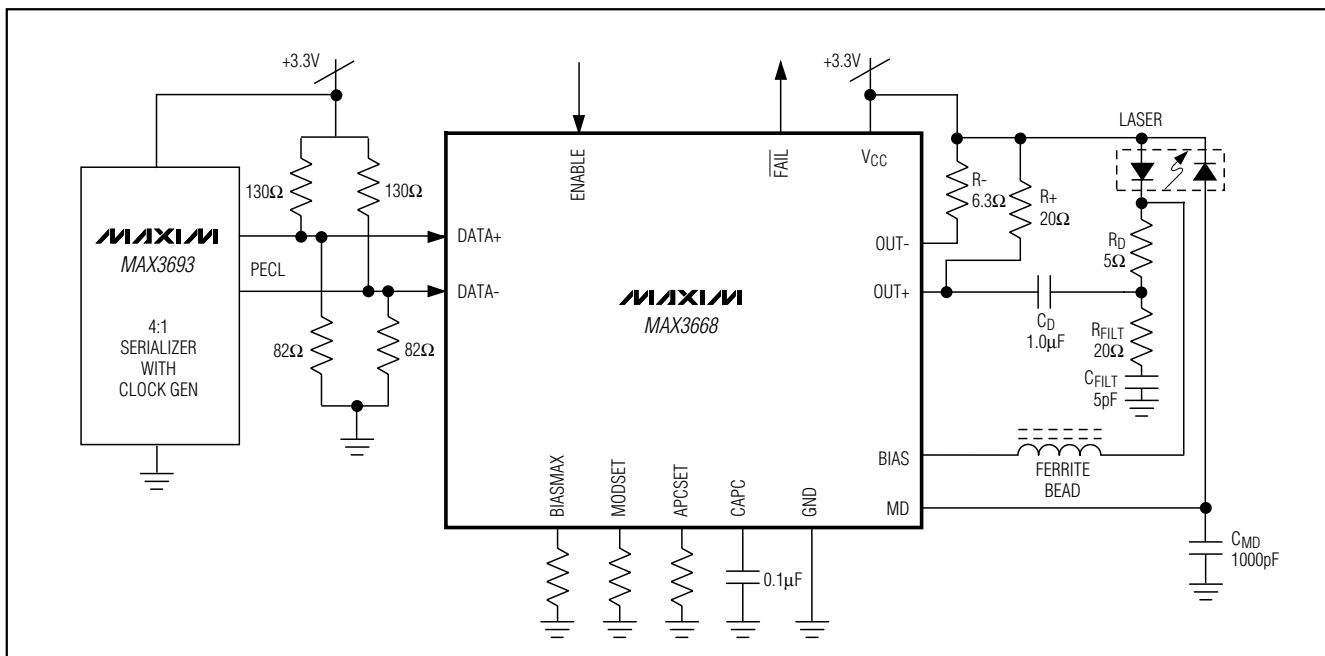
PART	TEMP. RANGE	PIN-PACKAGE
MAX3668EHJ	-40°C to +85°C	32 TQFP (5mm x 5mm)
MAX3668E/D	(see Note)	Dice*

Note: Dice are designed to operate over a -40°C to +140°C junction temperature (T_j) range, but are tested and guaranteed at $T_A = +25^\circ\text{C}$.

*Contact factory for availability.

Pin Configuration appears at end of data sheet.

Typical Operating Circuit



† Covered by U.S. Patent numbers 5,802,089 and 5,883,910

MAXIM

Maxim Integrated Products 1

For pricing, delivery, and ordering information, please contact Maxim/Dallas Direct! at 1-888-629-4642, or visit Maxim's website at www.maxim-ic.com.

MAX3668†

+3.3V, 622Mbps SDH/SONET Laser Driver with Automatic Power Control

ABSOLUTE MAXIMUM RATINGS

Supply Voltage, V_{CC}	-0.5V to +7.0V	Voltage at BIAS	+1.0V to ($V_{CC} + 0.5V$)
Current into BIAS	-20mA to +150mA	Continuous Power Dissipation ($T_A = +85^\circ\text{C}$)	32-Pin TQFP (derate 14.3mW/ $^\circ\text{C}$ above $+85^\circ\text{C}$).....
Current into OUT+, OUT-	-20mA to +100mA	Operating Junction Temperature Range	-55 $^\circ\text{C}$ to +150 $^\circ\text{C}$
Current into MD	-5mA to +5mA	Processing Temperature (Die)	+400 $^\circ\text{C}$
Voltage at DATA+, DATA-, ENABLE, FAIL	-0.5V to ($V_{CC} + 0.5V$)	Storage Temperature Range	-65 $^\circ\text{C}$ to +165 $^\circ\text{C}$
Voltage at OUT+, OUT-	+1.5V to ($V_{CC} + 1.5V$)	Lead Temperature (soldering, 10s)	+300 $^\circ\text{C}$
Voltage at MODSET, APCSET, BIASMUX, CAPC	-0.5V to +3.0V		

Stresses beyond those listed under "Absolute Maximum Ratings" may cause permanent damage to the device. These are stress ratings only, and functional operation of the device at these or any other conditions beyond those indicated in the operational sections of the specifications is not implied. Exposure to absolute maximum rating conditions for extended periods may affect device reliability.

DC ELECTRICAL CHARACTERISTICS

($V_{CC} = +3.14V$ to $+5.5V$, $T_A = -40^\circ\text{C}$ to $+85^\circ\text{C}$, unless otherwise noted. Typical values are at $V_{CC} = +3.3V$, $T_A = +25^\circ\text{C}$.) (Note 1)

PARAMETER	SYMBOL	CONDITIONS		MIN	TYP	MAX	UNITS
Supply Current		(Note 2)			38	60	mA
Bias Current Range	I_{BIAS}	$V_{BIAS} = V_{CC} - 1.6V$		1		80	mA
Bias Off Current		ENABLE = low (Note 3)				100	μA
Bias Current Stability		APC open loop	$I_{BIAS} = 80\text{mA}$		390		ppm/ $^\circ\text{C}$
			$I_{BIAS} = 1\text{mA}$		920		
Bias Current Absolute Accuracy		APC open loop		-15		15	%
Differential Input Voltage	V_{ID}	Figure 1		200		1600	mVp-p
Common-Mode Input Voltage	V_{ICM}	PECL compatible		$V_{CC} - 1.49$	$V_{CC} - 1.32$	$V_{CC} - V_{ID}/4$	V
DATA+, DATA- Input Current	I_{IN}			-1		10	μA
Monitor Diode Current Stability		(Note 4)	$I_{MD} = 1\text{mA}$	-480	10	480	ppm/ $^\circ\text{C}$
			$I_{MD} = 18\mu\text{A}$ (Note 5)		70		
Monitor Diode Current Absolute Accuracy				-15		15	%
DC Monitor Diode Current	I_{MD}			18		1000	μA
Monitor Diode Input Voltage (MD Pin)	V_{MD}				0.8		V
TTL Input High Voltage	V_{IH}			2.0			V
TTL Input Low Voltage	V_{IL}					0.8	V
TTL Output High Voltage (FAIL)	V_{OH}	Sourcing 50 μA		2.4	$V_{CC} - 0.3$	V_{CC}	V
TTL Output Low Voltage (FAIL)	V_{OL}	Sinking 100 μA		0.1		0.44	V

+3.3V, 622Mbps SDH/SONET Laser Driver with Automatic Power Control

MAX3668

AC ELECTRICAL CHARACTERISTICS

($V_{CC} = +3.14V$ to $+5.5V$, load as shown in Figure 2, $T_A = -40^{\circ}C$ to $+85^{\circ}C$, unless otherwise noted. Typical values are at $V_{CC} = +3.3V$, $T_A = +25^{\circ}C$.) (Note 6)

PARAMETER	SYMBOL	CONDITIONS	MIN	TYP	MAX	UNITS
Modulation Current Range	I_{MOD}	(Note 7)	5		75	mA
Modulation Off Current		ENABLE = low (Note 3)			200	μA
Modulation Current Stability		$I_{MOD} = 75mA$	-620	175	620	ppm/ $^{\circ}C$
		$I_{MOD} = 5mA$ (Note 5)		300		
Modulation Current Absolute Accuracy			-15		15	%
Output Rise/Fall Time	$t_{R/F}$	20% to 80%, $R_L = 10\Omega \parallel 20\Omega$ load	$I_{MOD} = 5mA$	100	200	ps
			$I_{MOD} = 75mA$	230	375	
Jitter Generation (peak-to-peak)		(Note 8)			100	ps
Pulse-Width Distortion (peak-to-peak)		(Notes 9, 10)	$I_{MOD} = 5mA$	70	155	ps
			$I_{MOD} = 75mA$	10	135	
Enable/Start-Up Delay		Open loop		250		ns
Maximum Consecutive Identical Digits at 622Mbps	CID		80			Bits

Note 1: Characteristics at $-40^{\circ}C$ are guaranteed by design and characterization. Dice are tested at $T_A = +25^{\circ}C$ only.

Note 2: Tested with $R_{MODSET} = 5.11k\Omega$ ($I_{MOD} \approx 38mA$), $R_{BIASMAX} = 4.56k\Omega$ ($I_{BIAS} \approx 52mA$), excluding I_{BIAS} and I_{MOD} .

Note 3: Both the bias and modulation currents will be disabled if any of the current set pins are shorted to ground.

Note 4: This assumes that the laser to monitor diode transfer function does not change with temperature.

Note 5: See *Typical Operating Characteristics* for worst-case distributions.

Note 6: AC characteristics are guaranteed by design and characterization.

Note 7: Total I_{MOD} out of $OUT+$. Refer to the *Design Procedure* for information regarding current delivered to the laser.

Note 8: Input signal is a 622Mbps, 2^{13} - 1 PRBS with 80 inserted zeros.

Note 9: Input signal is a 622Mbps, 11110000 pattern.

Note 10: PWD = (wider pulse - narrower pulse) / 2.

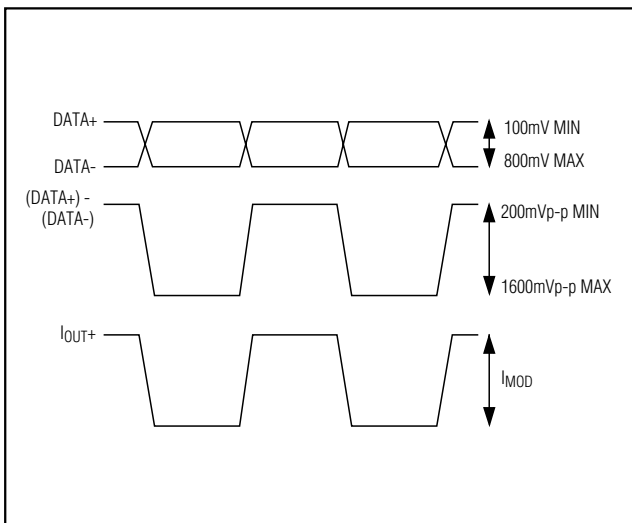


Figure 1. Required Input Signal and Output Polarity

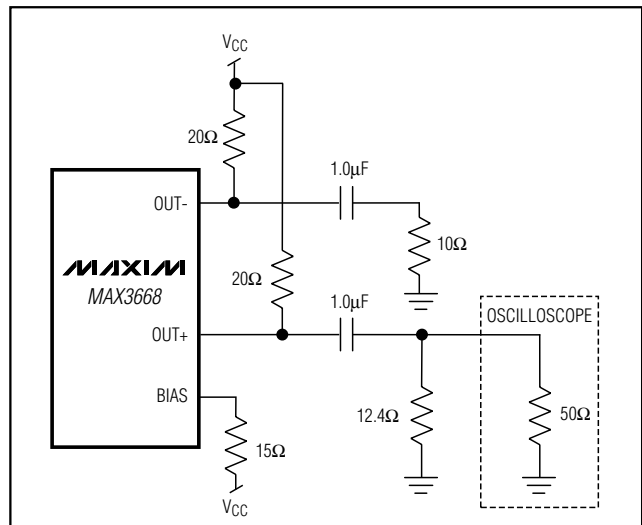


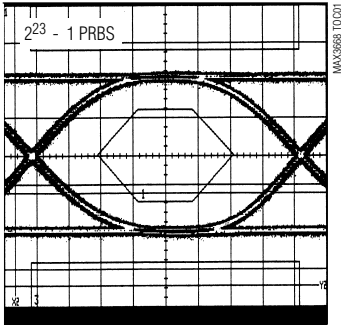
Figure 2. Output Termination for Characterization

+3.3V, 622Mbps SDH/SONET Laser Driver with Automatic Power Control

Typical Operating Characteristics

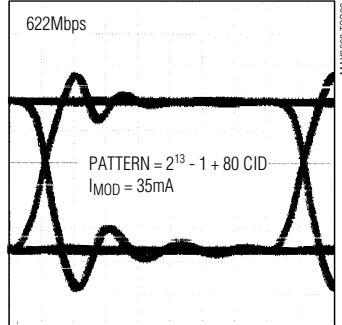
(VCC = +3.3V, TA = +25°C, unless otherwise noted.)

**EYE DIAGRAM
(622Mbps, 1300nm LASER
WITH 467MHz FILTER)**



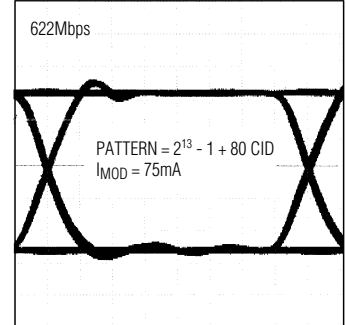
193ps/div

**EYE DIAGRAM
(IMOD = 35mA)**



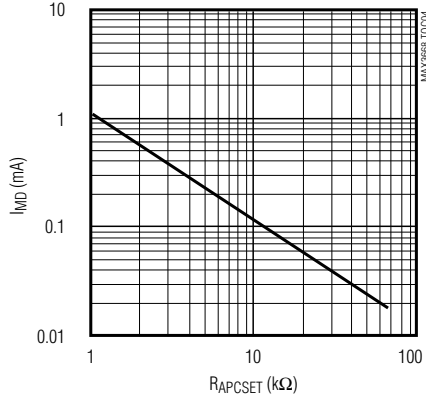
200ps/div

**EYE DIAGRAM
(IMOD = 75mA)**

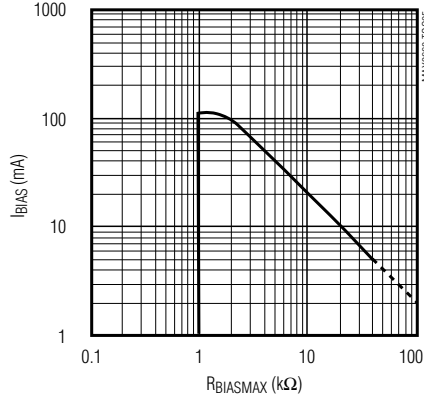


200ps/div

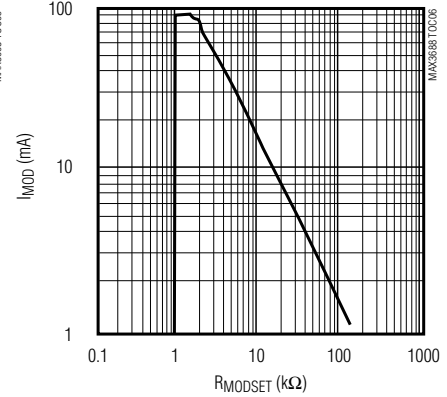
**MONITOR DIODE CURRENT
vs. APC SET RESISTOR**



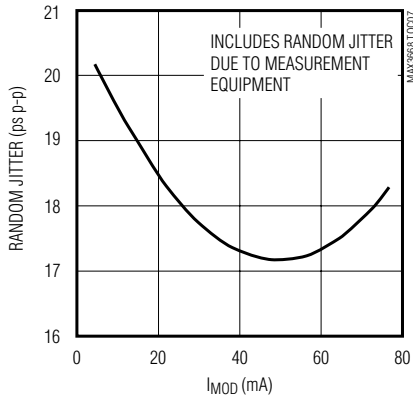
**BIAS CURRENT vs.
MAXIMUM BIAS SET RESISTOR**



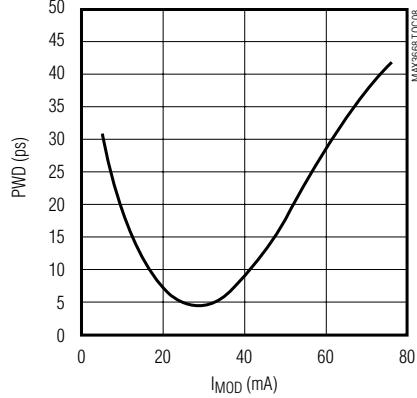
**MODULATION CURRENT
vs. MODULATION SET RESISTOR**



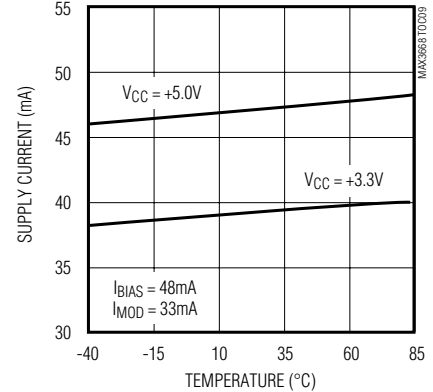
**RANDOM JITTER
vs. MODULATION CURRENT**



**PULSE-WIDTH DISTORTION
vs. MODULATION CURRENT**



**SUPPLY CURRENT
vs. TEMPERATURE**

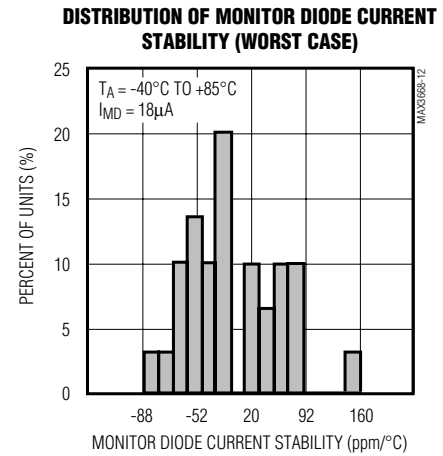
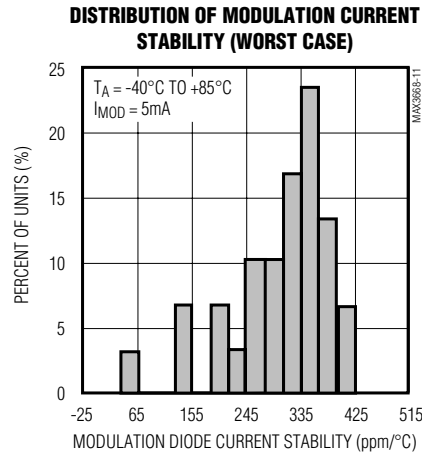
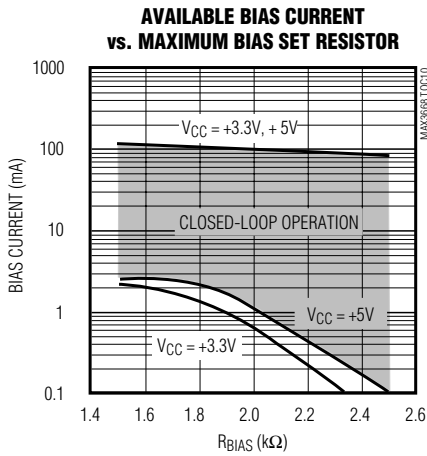


+3.3V, 622Mbps SDH/SONET Laser Driver with Automatic Power Control

MAX3668

Typical Operating Characteristics (continued)

($V_{CC} = +3.3V$, $T_A = +25^\circ C$, unless otherwise noted.)



Pin Description

PIN	NAME	FUNCTION
1, 2, 6, 15, 17, 20, 24	V_{CC}	Positive Supply Voltage
3	DATA+	Positive PECL Data Input
4	DATA-	Negative PECL Data Input
5, 7, 8, 10, 14, 21, 22, 30	GND	Ground
9	ENABLE	TTL/CMOS Enable Input. High for normal operation, low to disable laser bias and modulation currents. Internally pulled high.
11	FAIL	TTL Output. Indicates APC failure when low. Internally pulled high through a 6k Ω resistor.
12, 13, 26, 27, 28	N.C.	No Connection. Leave unconnected.
16	BIAS	Laser Bias Current Output. Isolate from laser with a ferrite bead.
18	OUT+	Positive Modulation Current Output. I_{MOD} flows into this pad when the input signal is high. Connect this pad to AC coupling network.
19	OUT-	Negative Modulation Current Output. I_{MOD} flows into this pad when the input signal is low. Connect this pad to V_{CC} through a 6.3 Ω resistor.
23	MD	Monitor Photodiode Connection. Connect this pad to the monitor photodiode anode. A capacitor to ground is required to filter high-speed AC monitor photocurrent.
25	CAPC	APC Compensation Capacitor. A 0.1 μF capacitor connected from this pad to ground controls the dominant pole of the automatic power control (APC) feedback loop.
29	APCSET	APC Set Resistor. A resistor connected from this pad to ground sets the desired average optical power. The resulting current is equal to the desired DC monitor diode current. Connect a 100k Ω resistor from this pad to ground if APC is not used.
31	MODSET	Modulation Set Resistor. A resistor from this pad to ground sets the laser modulation current.
32	BIASMAX	Maximum Bias Set Resistor. A resistor from this pad to ground sets the maximum laser bias current. The APC function can subtract from this maximum value but cannot add to it. This resistor controls the bias-current level when the APC loop is not used.

+3.3V, 622Mbps SDH/SONET Laser Driver with Automatic Power Control

Automatic Power Control

To maintain constant average optical power, the MAX3668 incorporates an APC loop to compensate for the changes in laser threshold current over temperature and lifetime. A back-facet photodiode mounted in the laser package is used to convert the optical power into a photocurrent. The APC loop adjusts the laser bias current so the monitor current is matched to a reference current set by R_{APCSET}. The time constant of the APC loop is determined by an external capacitor (C_{APC}). To eliminate the pattern-dependent jitter associated with the APC loop-time constant and to guarantee loop stability, the recommended value for C_{APC} is 0.1μF.

When the APC loop is functioning, the maximum allowable bias current is set by an external resistor, R_{BIASMAX}. An APC failure flag (FAIL) is set low when the bias current can no longer be adjusted to achieve the desired average optical power.

APC closed-loop operation requires the user to set three currents with external resistors connected between ground and BIASMAX, MODSET, and APCSET. Detailed guidelines for these resistor settings are described in the *Design Procedure* section.

Open-Loop Operation

If necessary, the MAX3668 is fully operational without APC. In this case, the laser current is directly set by two external resistors connected from ground to BIASMAX and MODSET. Connect a 100kΩ resistor from APCSET to ground and leave MD open for open-loop operation.

Enable Control

The MAX3668 incorporates a laser driver enable function. When ENABLE is low, both the bias and modulation currents are off. The typical laser enable time is 250ns.

APC Failure Monitor

The MAX3668 provides an APC failure monitor (TTL/CMOS) to indicate an APC loop tracking failure. FAIL is set low when the APC loop can no longer adjust the bias current to maintain the desired monitor current. This output is internally pulled up to V_{CC} through a 6kΩ resistor.

Table 1. Optical Power Definition

PARAMETER	SYMBOL	RELATION
Average Power	P _{AVE}	P _{AVE} = (P ₀ + P ₁) / 2
Extinction Ratio	r _e	r _e = P ₁ / P ₀
Optical Power High	P ₁	P ₁ = 2P _{AVE} · r _e / (r _e + 1)
Optical Power Low	P ₀	P ₀ = 2P _{AVE} / (r _e + 1)
Optical Amplitude	P _{p-p}	P _{p-p} = 2P _{AVE} (r _e - 1) / (r _e + 1)
Laser Slope Efficiency	η	η = P _{p-p} / I _{MOD}
Modulation Current	I _{MOD}	I _{MOD} = P _{p-p} / η

Short-Circuit Protection

The MAX3668 provides short-circuit protection for the modulation, bias, and monitor current sources. If either BIASMAX, MODSET, or APCSET is shorted to ground, the bias and modulation outputs will be turned off.

Design Procedure

When designing a laser transmitter, the optical output is usually expressed in terms of average power and extinction ratio. Table 1 gives the relationships that are helpful in converting between the optical average power and the modulation current. These relationships are valid if the average duty cycle of the optical waveform is 50%.

Programming the Modulation Current

In addition to being a function of R_{MODSET}, the modulation current delivered to the laser (I_{MODL}) also depends on the values of the series damping resistor (R_D), the shunt compensation resistance (R_{FILT}), and the laser diode's resistance (see *Typical Operating Circuit*).

The modulation current (assuming C_{FILT} << C_D) into the laser diode can be represented by the following:

$$I_{MODL} = I_{MOD} \left[\frac{20\Omega}{20\Omega + (R_D + r_{LASER})} \right]$$

Assuming R_D = 5Ω and r_{LASER} = 5Ω, this equation is simplified to:

$$I_{MODL} = I_{MOD}(0.67)$$

For R_D = 5.0Ω and a laser resistance of approximately 5Ω, refer to the Modulation Current vs. Modulation Set Resistor graph in the *Typical Operating Characteristics* and select the value of R_{MODSET} that corresponds to the required current at +25°C.

Programming the Bias Current

When using the MAX3668 in open-loop operation, the bias current is determined by the R_{BIASMAX} resistor. To select this resistor, determine the required bias current at +25°C. Refer to the Bias Current vs. Maximum Bias Set Resistor graph in the *Typical Operating Characteristics* and select the value of R_{BIASMAX} that corresponds to the required current at +25°C.

When using the MAX3668 in closed-loop operation, the R_{BIASMAX} resistor sets the maximum bias current available to the laser diode over temperature and life. The APC loop can subtract from this maximum value but cannot add to it. Refer to the Bias Current vs. Maximum Bias Set Resistor graph in the *Typical Operating Characteristics* and select the value of R_{BIASMAX} that corresponds to the end-of-life bias current at +85°C.

+3.3V, 622Mbps SDH/SONET Laser Driver with Automatic Power Control

Programming the APC Loop

When the MAX3668's APC feature is used, program the average optical power by adjusting the APCSET resistor. To select this resistor, determine the desired monitor current to be maintained over temperature and life. Refer to the Monitor Diode Current vs. APC Set Resistor graph in the *Typical Operating Characteristics* and select the value of R_{APCSET} that corresponds to the required current.

Interfacing with the Laser Diode

To minimize optical output aberrations due to the laser parasitic inductance, an RC shunt network may be used (see *Typical Operating Circuit*). If R_L represents the laser diode resistance, the recommended total resistance for $R_D + R_L$ is 10Ω . Starting values for coaxial lasers are $R_{FILT} = 20\Omega$ and $C_{FILT} = 5pF$. R_{FILT} and C_{FILT} should be experimentally adjusted to optimize the output waveform. A bypass capacitor should also be placed as close to the laser anode as possible for best performance.

Pattern-Dependent Jitter (PDJ)

When transmitting NRZ data with long strings of consecutive identical digits (CID), LF droop can contribute to pattern-dependent jitter. To minimize this pattern-dependent jitter, two external components must be properly chosen: capacitor C_{APC} , which dominates the APC loop time constant; and AC-coupling capacitor C_D .

To filter out noise effects and guarantee loop stability, the recommended value for C_{APC} is $0.1\mu F$. This results in an APC loop bandwidth of 20kHz. Consequently, the pattern-dependent jitter associated with an APC loop time constant can be ignored.

The time constant associated with the DC blocking capacitor on I_{MOD} will have an effect on PDJ. It is important that this time constant produce minimum droop for long consecutive bit streams.

Referring to Figure 4, the droop resulting from long time periods without transitions can be represented by the following equation:

$$(100\% - \text{DROOP}) = e^{-\frac{t}{\tau}}$$

AC coupling of I_{MOD} results in a discharge level for τ that is equal to P_{AVG} . An overall droop of 6% relative to P_{p-p} equates to a 12% droop relative to P_{AVG} . To ensure a droop of less than 12% (6% relative to P_{p-p}), this equation can be solved for τ as follows:

$$\tau = \frac{-t}{\ln(1 - 0.12)} = 7.8t$$

If t_1 equals 80 consecutive unit intervals without a transition, the time constant associated with the DC blocking capacitor needs to be longer than:

$$\tau_{AC} \geq R_{AC}C_D = 7.8 (80 \text{ bits}) (1.6\text{ns/bit}) = 1.0\mu s$$

R_{FILT} can be ignored for $C_{FILT} \ll C_D$, therefore the estimated value of R_{AC} is:

$$R_{AC} = 20\Omega \parallel (R_D + r_{LASER})$$

Assuming $R_D = 5\Omega$, and $r_{LASER} = 5\Omega$:

$$R_{AC} = 6.7\Omega$$

with $C_D = 1.0\mu F$, $\tau_{AC} = 6.7\mu s$.

Input Termination Requirement

The MAX3668 data inputs are PECL-compatible. However, it is not necessary to drive the MAX3668 with a standard PECL signal. As long as the specified common-mode voltage and differential voltage swings are met, the MAX3668 will operate properly.

Calculate Power Consumption

The total power dissipation of the MAX3668 can be estimated by the following:

$$P = V_{CC} \times I_{CC} + (V_{CC} - V_f) \times I_{BIAS} + I_{MOD} (V_{CC} - 20\Omega \times I_{MOD} / 2)$$

where I_{BIAS} is the maximum bias current set by $R_{BIAS-MAX}$, I_{MOD} is the modulation current, and V_f is the typical laser forward voltage.

Applications Information

The following is an example of how to set up the MAX3668.

Select Laser

A communication-grade laser should be selected for 622Mbps applications. Assume the laser output average power is $P_{AVE} = 0\text{dBm}$, the minimum extinction

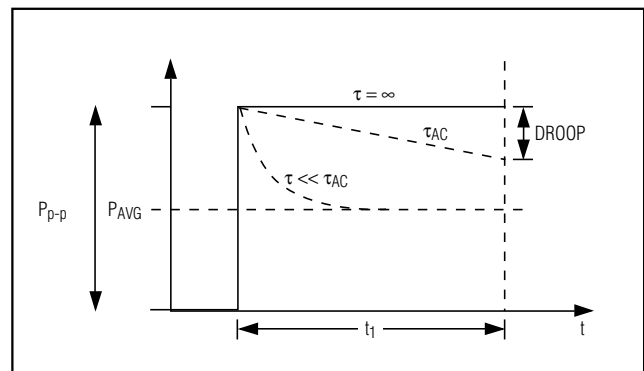


Figure 4. Droop

+3.3V, 622Mbps SDH/SONET Laser Driver with Automatic Power Control

ratio is $r_e = 6.6$ (8.2dB), the operating temperature is -40°C to $+85^{\circ}\text{C}$, and the laser diode has the following characteristics:

Wavelength:	$\lambda = 1.3\mu\text{m}$
Threshold Current:	$I_{\text{TH}} = 22\text{mA}$ at $+25^{\circ}\text{C}$
Threshold Temperature Coefficient:	$\beta_{\text{TH}} = 1.3\%/^{\circ}\text{C}$
Laser to Monitor Transfer:	$\rho_{\text{MON}} = 0.2\text{A/W}$
Laser Slope Efficiency:	$\eta = 0.05\text{mW/mA}$ at $+25^{\circ}\text{C}$

Determine R_{APCSET}

The desired monitor diode current is estimated by $I_{\text{MD}} = P_{\text{AVE}} \times \rho_{\text{MON}} = 200\mu\text{A}$. The Monitor Diode Current vs. APC Set Resistor graph in the *Typical Operating Characteristics* shows that R_{APCSET} should be $6\text{k}\Omega$.

Determine R_{MODSET}

To achieve a minimum extinction ratio (r_e) of 6.6 over temperature and lifetime, calculate the required extinction ratio at $+25^{\circ}\text{C}$. Assuming $r_e = 20$, the peak-to-peak optical power $P_{\text{p-p}} = 1.81\text{mW}$ according to Table 1. The required modulation current is $1.81(\text{mW}) / 0.05(\text{mW/mA}) = 36.2\text{mA}$. The Modulation Current vs. Modulation Set Resistor graph in the (*see Typical Operating Characteristics*) shows that R_{MODSET} should be $5\text{k}\Omega$.

Determine R_{BIASMAX}

Calculate the maximum threshold current ($I_{\text{TH}}(\text{MAX})$) at $T_A = +85^{\circ}\text{C}$ and end of life. Assuming $I_{\text{TH}}(\text{MAX}) = 50\text{mA}$, the maximum bias current should be:

$$I_{\text{BIAS}} = I_{\text{TH}}(\text{MAX}) + I_{\text{MOD}} / 2$$

In this example, $I_{\text{BIAS}} = 68.1\text{mA}$. The Bias Current vs. Maximum Bias Set Resistor graph in the *Typical Operating Characteristics* shows that R_{BIASMAX} should be $3\text{k}\Omega$.

Modulation Current More than 50mA

To drive modulation currents greater than 50mA at 3.3V, external pull-up inductors (Figure 5) should be used to DC-bias the modulation output at V_{CC} . Such a configuration isolates the laser forward voltage from the output circuitry and allows the output at $\text{OUT}+$ to swing above and below the supply voltage V_{CC} .

At +5V power supply, the headroom voltage for the MAX3668 is significantly improved. In this case, it is possible to achieve a modulation current of more than 50mA (using resistor pull-ups as shown in the *Typical Operating Circuit*). The MAX3668 can also be DC-coupled to a laser diode when operating at +5V supply; the voltage at $\text{OUT}+$ should be $\geq 2.0\text{V}$ for proper operation.

Wire Bonding Die

For high current density and reliable operation, the MAX3668 uses gold metalization. Make connections to the die with gold wire only, using ball-bonding techniques. Wedge bonding is not recommended. Die-pad size is 4 mils ($100\mu\text{m}$) square, and die thickness is 12 mils ($300\mu\text{m}$) mils.

Layout Considerations

To minimize inductance, keep the connections between the MAX3668 output pins and LD as close as possible. Optimize the laser diode performance by placing a bypass capacitor as close as possible to the laser anode. Use good high-frequency layout techniques and multilayer boards with uninterrupted ground planes to minimize EMI and crosstalk.

Laser Safety and IEC 825

Using the MAX3668 laser driver alone does not ensure that a transmitter design is compliant with IEC 825. The entire transmitter circuit and component selections must be considered. Customers must determine the level of fault tolerance required by their application, recognizing that Maxim products are not designed or authorized for use as components in systems intended for surgical implant into the body, for applications intended to support or sustain life, or for any other application where the failure of a Maxim product could create a situation where personal injury or death may occur.

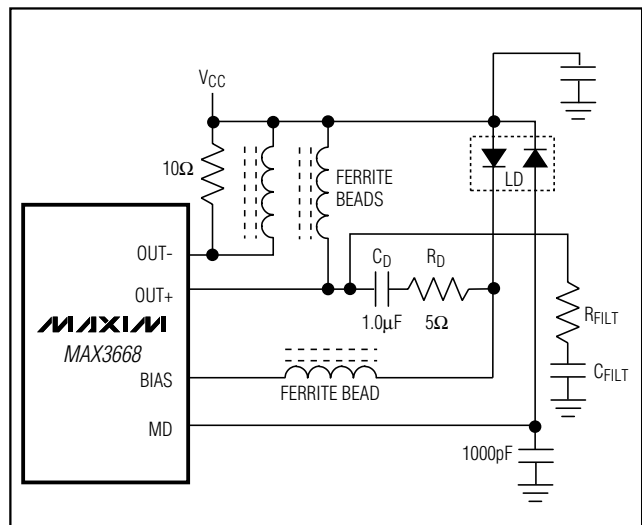
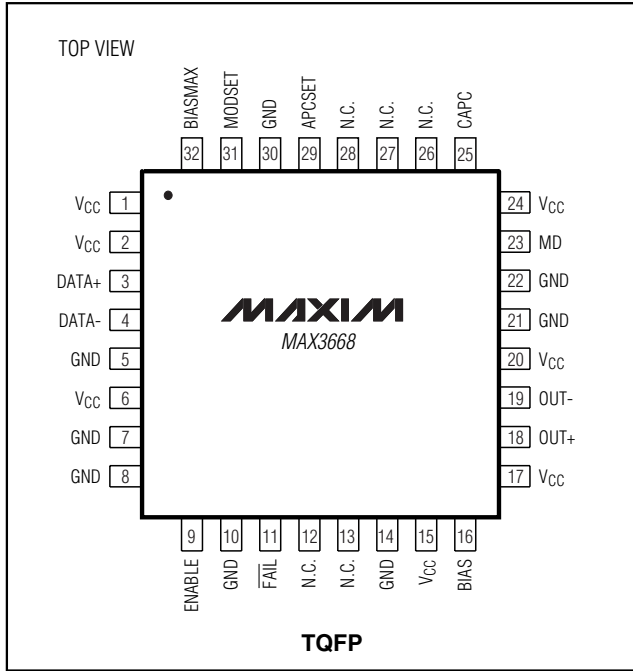


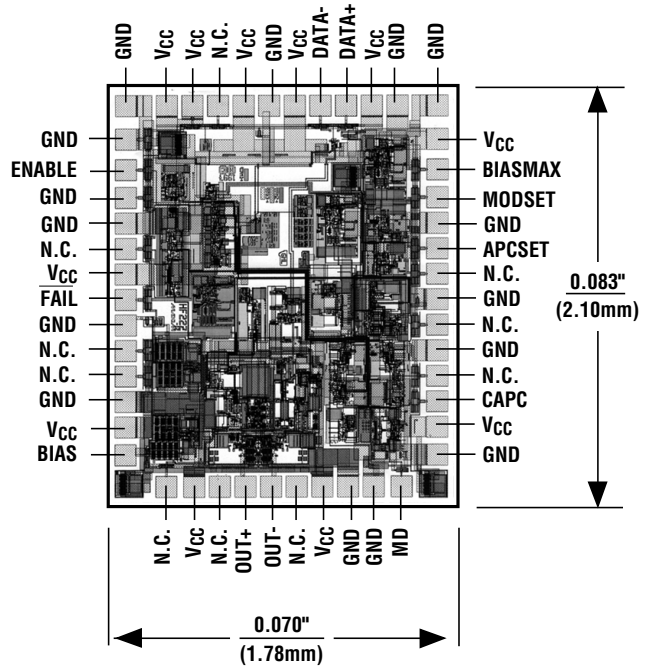
Figure 5. Output Termination for Maximum Modulation Current

+3.3V, 622Mbps SDH/SONET Laser Driver with Automatic Power Control

Pin Configuration

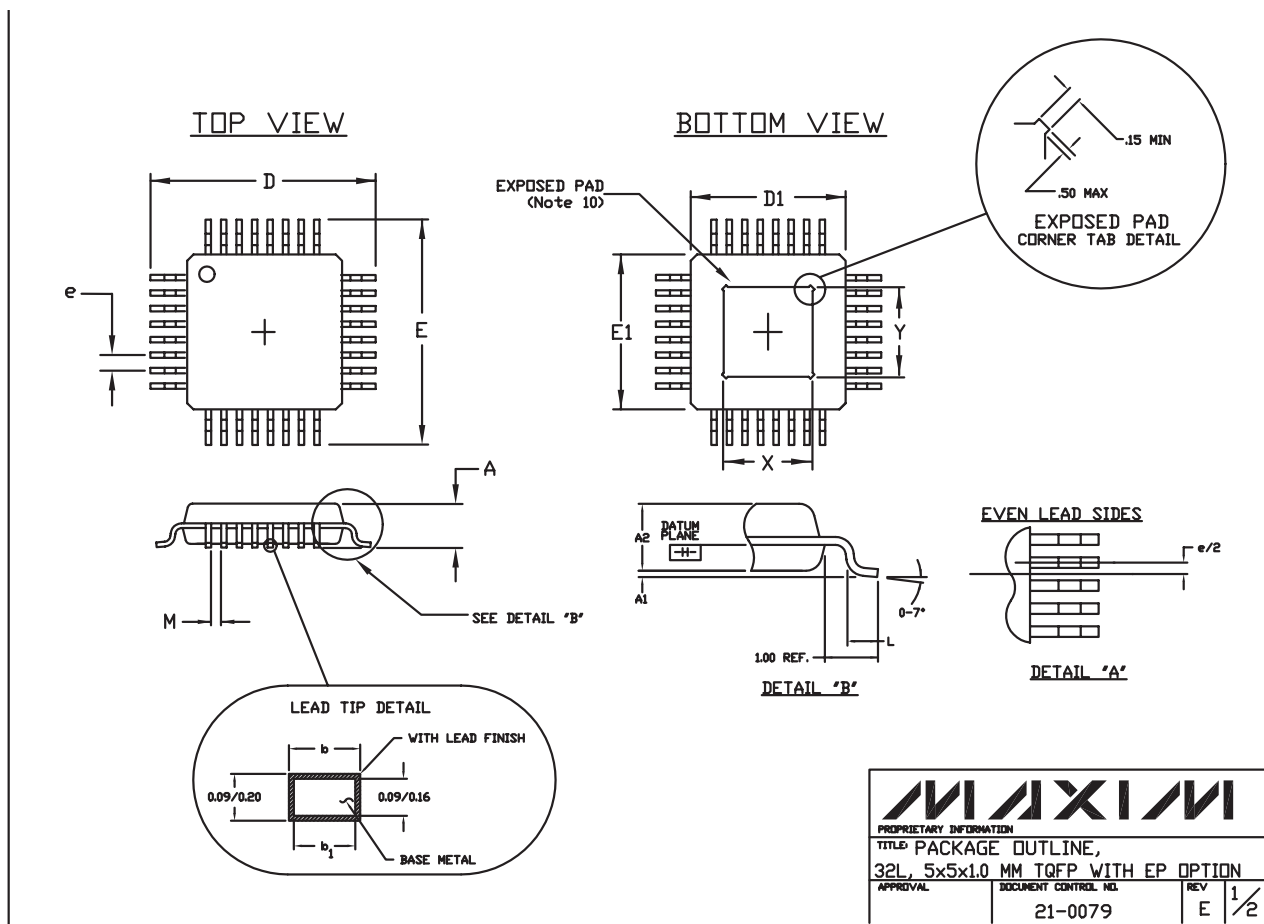


Chip Topography



+3.3V, 622Mbps SDH/SONET Laser Driver with Automatic Power Control

Package Information



32L, TQFP, EPS

MAX3668

MAXIM		
PROPRIETARY INFORMATION		
TITLE: PACKAGE OUTLINE, 32L, 5x5x1.0 MM TQFP WITH EP OPTION		
APPROVAL	DOCUMENT CONTROL NO.	REV
	21-0079	E 1/2

(Package information continues on next page.)

+3.3V, 622Mbps SDH/SONET Laser Driver with Automatic Power Control

Package Information (continued)

NOTES:

1. ALL DIMENSIONING AND TOLERANCING CONFORM TO ANSI Y14.5-1982.
2. DATUM PLANE \square IS LOCATED AT MOLD PARTING LINE AND COINCIDENT WITH LEAD, WHERE LEAD EXITS PLASTIC BODY AT BOTTOM OF PARTING LINE.
3. DIMENSIONS D1 AND E1 DO NOT INCLUDE MOLD PROTRUSION. ALLOWABLE MOLD PROTRUSION IS 0.254 MM ON D1 AND E1 DIMENSIONS.
4. THE TOP OF PACKAGE IS SMALLER THAN THE BOTTOM OF PACKAGE BY 0.15 MILLIMETERS.
5. DIMENSION b DOES NOT INCLUDE DAMBAR PROTRUSION. ALLOWABLE DAMBAR PROTRUSION SHALL BE 0.08 MM TOTAL IN EXCESS OF THE b DIMENSION AT MAXIMUM MATERIAL CONDITION.
6. CONTROLLING DIMENSION: MILLIMETER.
7. THIS OUTLINE CONFORMS TO JEDEC PUBLICATION 95, REGISTRATION MO-136.
8. LEADS SHALL BE COPLANAR WITHIN .004 INCH.
9. EXPOSED DIE PAD SHALL BE COPLANAR WITH BOTTOM OF PACKAGE WITHIN 2 MILS (.05 MM).
10. DIMENSIONS X AND Y APPLY TO EXPOSED PAD (EP) VERSIONS ONLY. SEE INDIVIDUAL PRODUCT DATASHEET TO DETERMINE IF A PRODUCT USES EXPOSED PAD PACKAGE.

JEDEC VARIATIONS				
DIMENSIONS IN MILLIMETERS				
AA		AA-EP*		
5x5x1.0 MM		5x5x1.0 MM		
	MIN.	MAX.	MIN.	MAX.
A	\approx	1.20	\approx	1.20
A1	0.05	0.15	0.05	0.15
A2	0.95	1.05	0.95	1.05
D	7.00 BSC.		7.00 BSC.	
D1	5.00 BSC.		5.00 BSC.	
E	7.00 BSC.		7.00 BSC.	
E1	5.00 BSC.		5.00 BSC.	
L	0.45	0.75	0.45	0.75
M	0.15	\approx	0.15	\approx
N	32		32	
e	0.50 BSC.		0.50 BSC.	
b	0.17	0.27	0.17	0.27
b1	0.17	0.23	0.17	0.23
*X	N/A	N/A	2.70	3.30
*Y	N/A	N/A	2.70	3.30

* EXPOSED PAD (Note 10)

<small>PROPRIETARY INFORMATION</small>			
TITLE: PACKAGE OUTLINE, 32L, 5x5x1.0 MM TQFP WITH EP OPTION			
<small>APPROVAL</small>	<small>DOCUMENT CONTROL NO.</small> 21-0079	<small>REV</small> E	<small>2/2</small>

Maxim makes no warranty, representation or guarantee regarding the suitability of its products for any particular purpose, nor does Maxim assume any liability arising out of the application or use of any product or circuit and specifically disclaims any and all liability, including without limitation consequential or incidental damages. "Typical" parameters can and do vary in different applications. All operating parameters, including "typicals" must be validated for each customer application by customer's technical experts. Maxim products are not designed, intended or authorized for use as components in systems intended for surgical implant into the body, or other applications intended to support or sustain life, or for any other application in which the failure of the Maxim product could create a situation where personal injury or death may occur.

12 **Maxim Integrated Products, 120 San Gabriel Drive, Sunnyvale, CA 94086 408-737-7600**