



# Quad, Low-Voltage, SPST Analog Switches

MAX4521/MAX4522/MAX4523

## General Description

The MAX4521/MAX4522/MAX4523 are quad, low-voltage, single-pole/single-throw (SPST) analog switches. On-resistance (100Ω max) is matched between switches to 4Ω max, and is flat (12Ω max) over the specified signal range. Each switch can handle Rail-to-Rail® analog signals. The off-leakage current is only 1nA at +25°C and 10nA at +85°C.

The MAX4521 has four normally closed (NC) switches, and the MAX4522 has four normally open (NO) switches. The MAX4523 has two NC switches and two NO switches.

These CMOS switches can operate with dual power supplies ranging from ±2V to ±6V or a single supply between +2V and +12V. They are fully specified for single +2.7V operation.

All digital inputs have +0.8V and +2.4V logic thresholds, ensuring TTL/CMOS-logic compatibility when using ±5V or a single +5V supply.

## Applications

- Battery-Operated Equipment
- Data Acquisition
- Test Equipment
- Avionics
- Audio Signal Routing
- Networking

Rail-to-Rail is a registered trademark of Nippon Motorola, Ltd.

## Features

- ◆ +2V to +12V Single Supply
- ◆ ±2V to ±6V Dual Supplies
- ◆ 100Ω Signal Paths with ±5V Supplies
- ◆ Low Power Consumption, <1μW
- ◆ 4 Separately Controlled SPST Switches
- ◆ Rail-to-Rail Signal Handling
- ◆ Pin Compatible with Industry-Standard DG211/DG212/DG213
- ◆ >2kV ESD Protection per Method 3015.7
- ◆ TTL/CMOS-Compatible Inputs with ±5V or Single +5V Supply

## Ordering Information

PART	TEMP. RANGE	PIN-PACKAGE
MAX4521CPE	0°C to +70°C	16 Plastic DIP
MAX4521CSE	0°C to +70°C	16 Narrow SO
MAX4521CEE	0°C to +70°C	16 QSOP
MAX4521CUE	0°C to +70°C	16 TSSOP
MAX4521CGE	0°C to +70°C	16 QFN
MAX4521C/D	0°C to +70°C	Dice*

Ordering Information continued at end of data sheet.

\*Contact factory for dice specifications.

Pin Configurations continued at end of data sheet.

## Pin Configurations/Functional Diagrams/Truth Tables

TOP VIEW

**DIP/SO/QSOP/TSSOP**

MAX4521	
LOGIC	SWITCH
0	ON
1	OFF

N.C. = NOT CONNECTED

**DIP/SO/QSOP/TSSOP**

MAX4522	
LOGIC	SWITCH
0	OFF
1	ON

SWITCHES SHOWN FOR LOGIC "0" INPUT

**DIP/SO/QSOP/TSSOP**

MAX4523		
LOGIC	SWITCHES 1, 4	SWITCHES 2, 3
0	OFF	ON
1	ON	OFF



**For pricing, delivery, and ordering information, please contact Maxim/Dallas Direct! at 1-888-629-4642, or visit Maxim's website at [www.maxim-ic.com](http://www.maxim-ic.com).**

# Quad, Low-Voltage, SPST Analog Switches

## ABSOLUTE MAXIMUM RATINGS

Voltages Referenced to GND

V+	-0.3V to +13.0V
V-	-13.0V to +0.3V
V+ to V-	-0.3V to +13.0V
All Other Pins (Note 1)	(V- - 0.3V) to (V+ + 0.3V)
Continuous Current into Any Terminal	±10mA
Peak Current into Any Terminal (pulsed at 1ms, 10% duty cycle)	±20mA
ESD per Method 3015.7	>2000V

Continuous Power Dissipation (T<sub>A</sub> = +70°C) (Note 2)

Plastic DIP (derate 10.53mW/°C above +70°C)	842mW
Narrow SO (derate 8.70mW/°C above +70°C)	696mW
QSOP (derate 9.52mW/°C above +70°C)	762mW
CERDIP (derate 10.00mW/°C above +70°C)	800mW
TSSOP (derate 6.7mW/°C above +70°C)	457mW
QFN (derate 16.9mW/°C above +70°C)	1349mW

Operating Temperature Ranges

MAX452_C_E	0°C to +70°C
MAX452_E_E	-40°C to +85°C
MAX452_MJE	-55°C to +125°C
Storage Temperature Range	-65°C to +150°C
Lead Temperature (soldering, 10s)	+300°C

**Note 1:** Signals on NC<sub>-</sub>, NO<sub>-</sub>, COM<sub>-</sub>, or IN<sub>-</sub> exceeding V+ or V- are clamped by internal diodes. Limit forward-diode current to maximum current rating.

**Note 2:** All leads are soldered or welded to PC boards.

Stresses beyond those listed under "Absolute Maximum Ratings" may cause permanent damage to the device. These are stress ratings only, and functional operation of the device at these or any other conditions beyond those indicated in the operational sections of the specifications is not implied. Exposure to absolute maximum rating conditions for extended periods may affect device reliability.

## ELECTRICAL CHARACTERISTICS—Dual Supplies

(V+ = +4.5V to +5.5V, V- = -4.5V to -5.5V, T<sub>A</sub> = T<sub>MIN</sub> to T<sub>MAX</sub>, unless otherwise noted. Typical values are at T<sub>A</sub> = +25°C.)

PARAMETER	SYMBOL	CONDITIONS	T <sub>A</sub>	MIN	TYP (Note 3)	MAX	UNITS
<b>ANALOG SWITCH</b>							
Analog Signal Range	V <sub>COM_-</sub> , V <sub>NO_-</sub> , V <sub>NC_-</sub>	(Note 4)	C, E, M	V-		V+	V
COM <sub>-</sub> to NO <sub>-</sub> , COM <sub>-</sub> to NC <sub>-</sub> On-Resistance	R <sub>ON</sub>	V+ = 5V, V- = -5V, V <sub>COM_-</sub> = ±3V, I <sub>COM_-</sub> = 1mA	+25°C		65	100	Ω
			C, E, M			125	
COM <sub>-</sub> to NO <sub>-</sub> , COM <sub>-</sub> to NC <sub>-</sub> On-Resistance Match Between Channels (Note 5)	ΔR <sub>ON</sub>	V+ = 5V, V- = -5V, V <sub>COM_-</sub> = ±3V, I <sub>COM_-</sub> = 1mA	+25°C		1	4	Ω
			C, E, M			6	
COM <sub>-</sub> to NO <sub>-</sub> , COM <sub>-</sub> to NC <sub>-</sub> On-Resistance Flatness (Note 6)	R <sub>FLAT(ON)</sub>	V+ = 5V, V- = -5V, V <sub>COM_-</sub> = ±3V, I <sub>COM_-</sub> = 1mA	+25°C		7	12	Ω
			C, E, M			15	
NO <sub>-</sub> , NC <sub>-</sub> Off-Leakage Current (Note 7)	I <sub>NO_(OFF)</sub> , I <sub>NC_(OFF)</sub>	V+ = 5.5V, V- = -5.5V, V <sub>COM_-</sub> = ±4.5V, V <sub>N_-</sub> = ±4.5V	+25°C	-1	0.01	1	nA
			C, E	-10		10	
			M	-100		100	
COM <sub>-</sub> Off-Leakage Current (Note 7)	I <sub>COM_(OFF)</sub>	V+ = 5.5V, V- = -5.5V, V <sub>COM_-</sub> = ±4.5V, V <sub>N_-</sub> = ±4.5V	+25°C	-1	0.01	1	nA
			C, E	-10		10	
			M	-100		100	
COM <sub>-</sub> On-Leakage Current (Note 7)	I <sub>COM_(ON)</sub>	V+ = 5.5V, V- = -5.5V, V <sub>COM_-</sub> = ±4.5V	+25°C	-2	0.01	2	nA
			C, E	-20		20	
			M	-200		200	

# Quad, Low-Voltage, SPST Analog Switches

MAX4521/MAX4522/MAX4523

## ELECTRICAL CHARACTERISTICS—Dual Supplies (continued)

(V+ = +4.5V to +5.5V, V- = -4.5V to -5.5V, TA = TMIN to TMAX, unless otherwise noted. Typical values are at TA = +25°C.)

PARAMETER	SYMBOL	CONDITIONS	TA	MIN	TYP (Note 3)	MAX	UNITS
<b>LOGIC INPUT</b>							
IN_ Input Logic Threshold High	V <sub>IN_H</sub>		C, E, M		1.6	2.4	V
IN_ Input Logic Threshold Low	V <sub>IN_L</sub>		C, E, M	0.8	1.6		V
IN_ Input Current Logic High or Low	I <sub>INH_</sub> , I <sub>INL_</sub>	V <sub>IN_</sub> = 0.8V or 2.4V	C, E, M	-1	0.03	1	μA
<b>SWITCH DYNAMIC CHARACTERISTICS</b>							
Turn-On Time	t <sub>ON</sub>	V <sub>COM_</sub> = ±3V, V+ = 4.5V, V- = -4.5V, Figure 1	+25°C	45	80		ns
			C, E, M				
Turn-Off Time	t <sub>OFF</sub>	V <sub>COM_</sub> = ±3V, V+ = 4.5V, V- = -4.5V, Figure 1	+25°C	15	30		ns
			C, E, M				
Break-Before-Make Time Delay (MAX4523 only)	t <sub>BBM</sub>	V <sub>COM_</sub> = ±3V, V+ = 5.5V, V- = -5.5V, Figure 2	+25°C	5	20		ns
Charge Injection (Note 4)	Q	C <sub>L</sub> = 1nF, V <sub>NO_</sub> = 0, R <sub>S</sub> = 0Ω, Figure 3	+25°C		1	5	pC
NO_, NC_ Off-Capacitance	C <sub>NO_(OFF)</sub>	V <sub>NO_</sub> = GND, f = 1MHz, Figure 6	+25°C		2		pF
COM_ Off-Capacitance	C <sub>COM_(OFF)</sub>	V <sub>COM_</sub> = GND, f = 1MHz, Figure 6	+25°C		2		pF
COM_ On-Capacitance	C <sub>COM_(ON)</sub>	V <sub>COM_</sub> = V <sub>NO_</sub> = GND, f = 1MHz, Figure 7	+25°C		5		pF
Off-Isolation (Note 8)	V <sub>ISO</sub>	R <sub>L</sub> = 50Ω, C <sub>L</sub> = 15pF, V <sub>N_</sub> = 1V <sub>RMS</sub> , f = 100kHz, Figure 4	+25°C		< -90		dB
Channel-to-Channel Crosstalk (Note 9)	V <sub>CT</sub>	R <sub>L</sub> = 50Ω, C <sub>L</sub> = 15pF, V <sub>N_</sub> = 1V <sub>RMS</sub> , f = 100kHz, Figure 5	+25°C		< -90		dB
<b>POWER SUPPLY</b>							
Power-Supply Range	V+, V-		C, E, M	-6		6	V
V+ Supply Current	I+	V+ = 5.5V, all V <sub>IN_</sub> = 0 or V+	+25°C	-1	0.05	1	μA
			C, E, M			1	
V- Supply Current	I-	V- = -5.5V	+25°C	-1	0.05	1	μA
			C, E, M			1	

# Quad, Low-Voltage, SPST Analog Switches

MAX4521/MAX4522/MAX4523

## ELECTRICAL CHARACTERISTICS—Single +5V Supply

(V+ = +4.5V to +5.5V, V- = 0V, TA = TMIN to TMAX, unless otherwise noted. Typical values are at TA = +25°C.)

PARAMETER	SYMBOL	CONDITIONS	TA	MIN	TYP (Note 3)	MAX	UNITS	
<b>ANALOG SWITCH</b>								
Analog Signal Range	VCOM_, VNO_, VNC_	(Note 4)	C, E, M	0		V+	V	
COM_ to NO_, COM_ to NC_ On-Resistance	RON	V+ = 4.5V, VCOM_ = 3.5V, ICOM_ = 1mA	+25°C C, E, M		125	200	Ω	
COM_ to NO_, COM_ to NC_ On-Resistance Match Between Channels (Note 5)	ΔRON	V+ = 5V, VCOM_ = 3.5V, ICOM_ = 1mA	+25°C C, E, M		2	8		Ω
NO_, NC_ Off-Leakage Current (Notes 7, 10)	I <sub>NO(OFF)</sub> , I <sub>NC(OFF)</sub>	V+ = 5.5V; VCOM_ = 1V, 4.5V; V <sub>N-</sub> = 4.5V, 1V	+25°C C, E M	-1	0.01	1	nA	
COM_ Off-Leakage Current (Notes 7, 10)	I <sub>COM(OFF)</sub>	V+ = 5.5V; VCOM_ = 1V, 4.5V; V <sub>N-</sub> = 4.5V, 1V	+25°C C, E M	-1	0.01	1		nA
COM_ On-Leakage Current (Notes 7, 10)	I <sub>COM(ON)</sub>	V+ = 5.5V; VCOM_ = 4.5V, 1V	+25°C C, E, M	-2	0.01	2		
<b>LOGIC INPUT</b>								
IN_ Input Logic Threshold High	V <sub>IN_H</sub>		C, E		1.6	2.4	V	
IN_ Input Logic Threshold Low	V <sub>IN_L</sub>		C, E	0.8	1.6		V	
IN_ Input Current Logic High or Low	I <sub>INH_</sub> , I <sub>INL_</sub>	V <sub>IN_</sub> = 0.8V or 2.4V	C, E	-1	0.03	1	μA	
<b>SWITCH DYNAMIC CHARACTERISTICS</b>								
Turn-On Time	t <sub>ON</sub>	VCOM_ = 3V, V+ = 4.5V, Figure 1	+25°C C, E, M		60	100	ns	
Turn-Off Time	t <sub>OFF</sub>	VCOM_ = 3V, V+ = 4.5V, Figure 1	+25°C C, E, M		20	50		ns
Break-Before-Make Time Delay (MAX4523 only)	t <sub>BBM</sub>	VCOM_ = 3V, V+ = 5.5V, Figure 2	+25°C	10	30		ns	
Charge Injection (Note 4)	Q	C <sub>L</sub> = 1nF, V <sub>NO_</sub> = 0, R <sub>S</sub> = 0Ω, Figure 3	+25°C		1	5	pC	
<b>POWER SUPPLY</b>								
V+ Supply Current	I+	V+ = 5.5V, all V <sub>IN_</sub> = 0 or V+	+25°C C, E, M	-1	0.05	1	μA	
V- Supply Current	I-	V- = 0	+25°C C, E, M	-1	0.05	1		μA

# Quad, Low-Voltage, SPST Analog Switches

MAX4521/MAX4522/MAX4523

## ELECTRICAL CHARACTERISTICS—Single +3V Supply

(V+ = +2.7V to +3.6V, V- = 0V, TA = TMIN to TMAX, unless otherwise noted. Typical values are at TA = +25°C.)

PARAMETER	SYMBOL	CONDITIONS	TA	MIN	TYP (Note 3)	MAX	UNITS
<b>ANALOG SWITCH</b>							
Analog Signal Range	VCOM_, VNO_, VNC_	(Note 4)	C, E, M	0		V+	V
COM_ to NO_, COM_ to NC_ On-Resistance	RON	V+ = 2.7V, VCOM_ = 1.0V, ICOM_ = 0.1mA	+25°C C, E, M		260	500 600	Ω
<b>LOGIC INPUT</b>							
IN_ Input Logic Threshold High	VIN_H		C, E		1.6	2.4	V
IN_ Input Logic Threshold Low	VIN_L		C, E	0.8	1.6		V
IN_ Input Current Logic High or Low	IINH_, IINL_	VIN_ = 0.8V or 2.4V	C, E	-1	0.03	1	μA
<b>SWITCH DYNAMIC CHARACTERISTICS</b> (Note 4)							
Turn-On Time	tON	VCOM_ = 1.5V, V+ = 2.7V, Figure 1	+25°C C, E, M		120	250 300	ns
Turn-Off Time	tOFF	VCOM_ = 1.5V, V+ = 2.7V, Figure 1	+25°C C, E, M		40	80 100	ns
Break-Before-Make Time Delay (MAX4523 only)	tBBM	VCOM_ = 1.5V, V+ = 3.6V, Figure 2	+25°C	15	50		ns
Charge Injection	Q	CL = 1nF, VNO_ = 0, RS = 0Ω, Figure 3	+25°C		0.5	5	pC
<b>POWER SUPPLY</b>							
V+ Supply Current	I+	V+ = 3.6V, all VIN_ = 0 or V+	+25°C C, E, M	-1	0.05	1 1	μA
V- Supply Current	I-	V- = 0	+25°C C, E, M	-1	0.05	1 1	μA

**Note 3:** The algebraic convention is used in this data sheet; the most negative value is shown in the minimum column.

**Note 4:** Guaranteed by design.

**Note 5:**  $\Delta R_{ON} = \Delta R_{ON(MAX)} - \Delta R_{ON(MIN)}$ .

**Note 6:** Resistance flatness is defined as the difference between the maximum and minimum on-resistance values, as measured over the specified analog signal range.

**Note 7:** Leakage parameters are 100% tested at maximum rated temperature, and guaranteed by correlation at TA = +25°C.

**Note 8:** Off-Isolation =  $20 \log_{10} [V_{COM\_} / (V_{NC\_} \text{ or } V_{NO\_})]$ , VCOM\_ = output, VNC\_ or VNO\_ = input to off switch.

**Note 9:** Between any two switches.

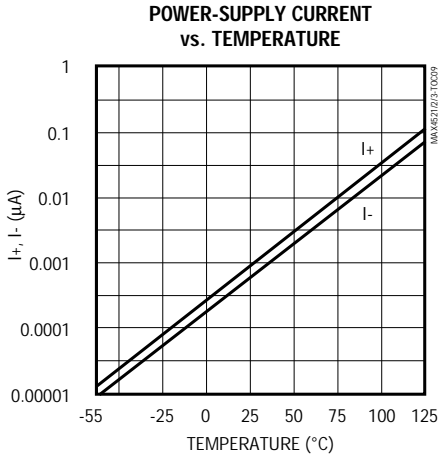
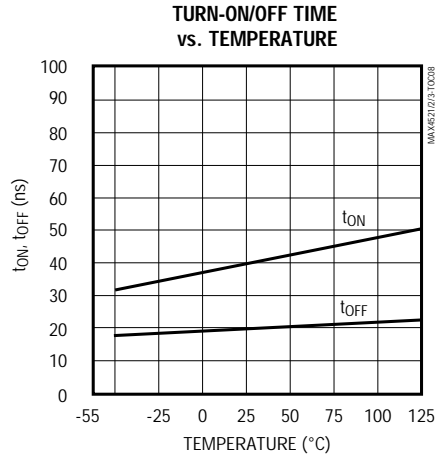
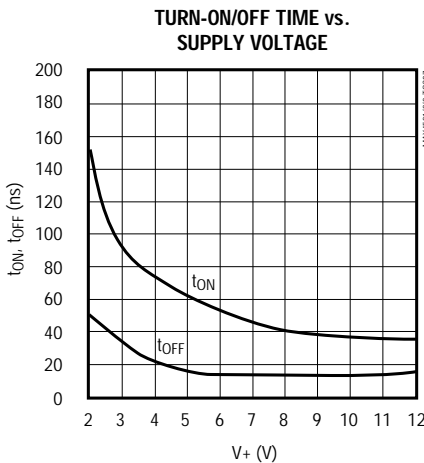
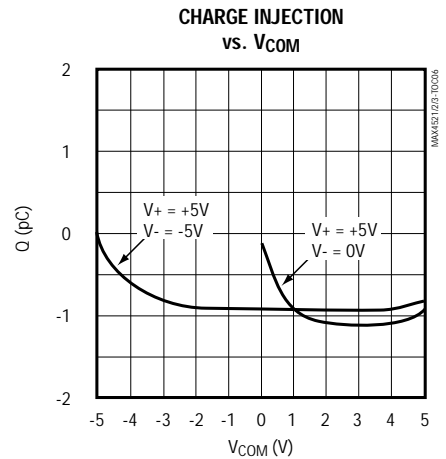
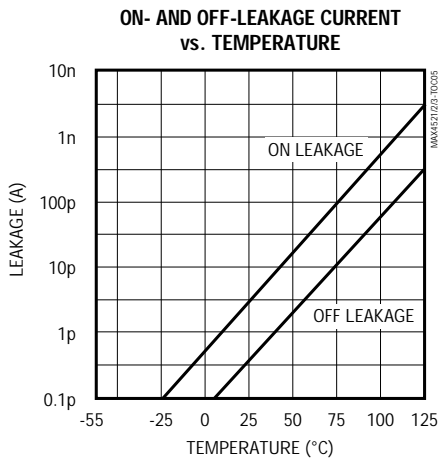
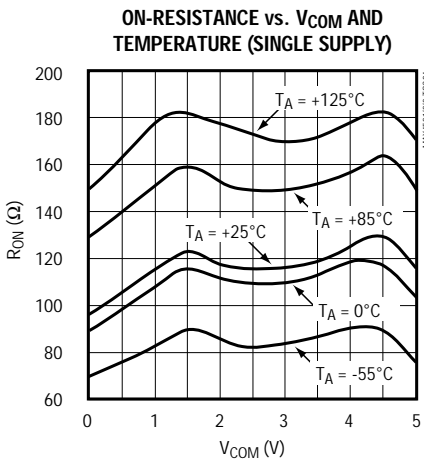
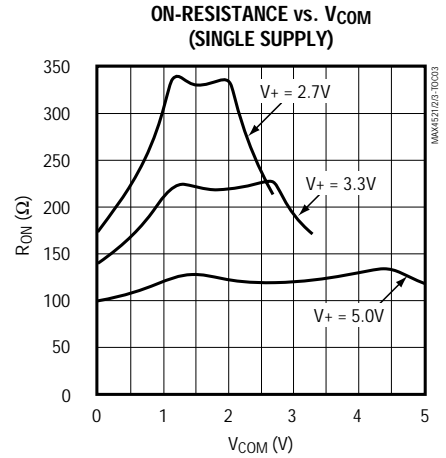
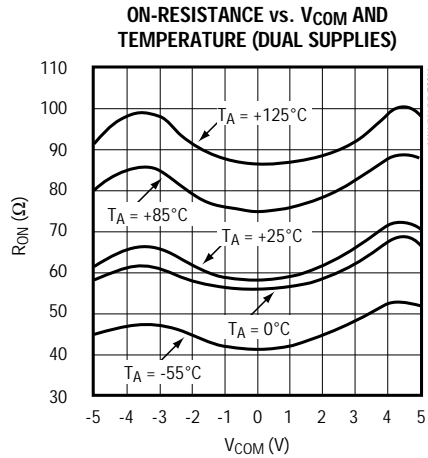
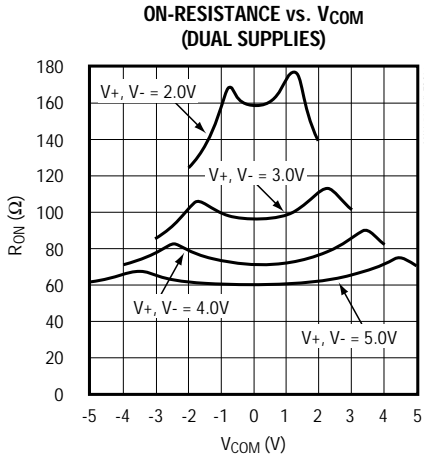
**Note 10:** Leakage testing for single-supply operation is guaranteed by testing with dual supplies.

# Quad, Low-Voltage, SPST Analog Switches

## Typical Operating Characteristics

( $V_+ = +5V$ ,  $V_- = -5V$ ,  $GND = 0$ ,  $T_A = +25^\circ C$ , unless otherwise noted.)

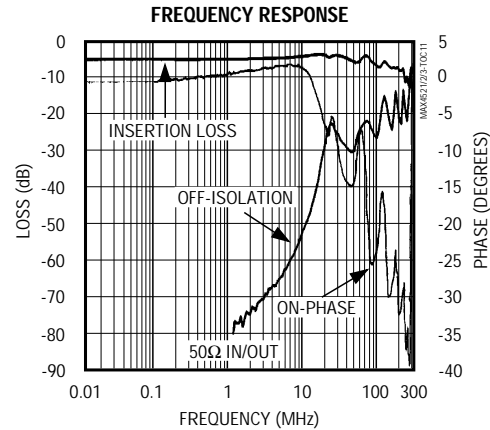
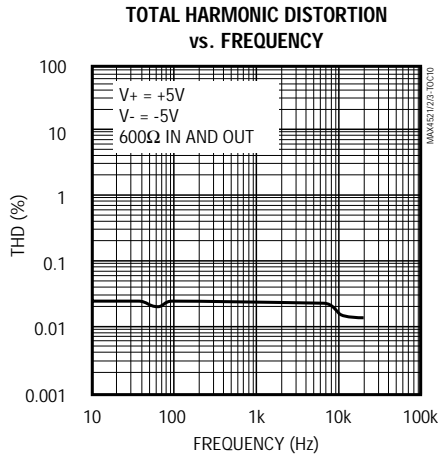
MAX4521/MAX4522/MAX4523



# Quad, Low-Voltage, SPST Analog Switches

## Typical Operating Characteristics (continued)

(V+ = +5V, V- = -5V, GND = 0, TA = +25°C, unless otherwise noted.)



## Pin Description

PIN						NAME	FUNCTION
MAX4521		MAX4522		MAX4523			
TSOP/SO	QFN	TSOP/SO	QFN	TSOP/SO	QFN		
1, 16, 9, 8	15, 14, 7, 6	1, 16, 9, 8	15, 14, 7, 6	1, 16, 9, 8	15, 14, 7, 6	IN1–1N4	Logic-Control Digital Input
2, 15, 10, 7	16, 13, 8, 5	2, 15, 10, 7	16, 13, 8, 5	2, 15, 10, 7	16, 13, 8, 5	COM1–COM4	Analog Switch Common* Terminals
3, 14, 11, 6	1, 12, 9, 4	—	—	—	—	NC1–NC4	Analog Switch Normally Closed Terminals
—	—	3, 14, 11, 6	1, 12, 9, 4	—	—	NO1–NO4	Analog Switch Normally Open Terminals
—	—	—	—	3, 6	1, 4	NO1, NO4	Analog Switch Normally Open Terminals
—	—	—	—	14, 11	12, 9	NC2, NC3	Analog Switch Normally Closed Terminals
4	2	4	2	4	2	V-	Negative Analog Supply-Voltage Input. Connect to GND for single supply operation.
5	3	5	3	5	3	GND	Ground. Connect to digital ground. (Analog signals have no ground reference; they are limited to V+ and V-.)
12	10	12	10	12	10	N.C.	No Connect. Not internally connected.
13	11	13	11	13	11	V+	Positive Analog and Digital Supply-Voltage Input. Internally connected to substrate.

\*NO<sub>-</sub> (or NC<sub>-</sub>) and COM<sub>-</sub> pins are identical and interchangeable. Either may be considered as an input or output; signals pass equally well in either direction.

# Quad, Low-Voltage, SPST Analog Switches

## Applications Information

### Power-Supply Considerations

#### Overview

The MAX4521/MAX4522/MAX4523 construction is typical of most CMOS analog switches. They have three supply pins: V+, V-, and GND. V+ and V- are used to drive the internal CMOS switches, and they set the limits of the analog voltage on any switch. Reverse ESD-protection diodes are internally connected between each analog-signal pin and both V+ and V-. If any analog signal exceeds V+ or V-, one of these diodes conducts. During normal operation these reverse-biased ESD diodes leak, forming the only current drawn from V+ or V-.

Virtually all the analog leakage current is through the ESD diodes. Although the ESD diodes on a given signal pin are identical and therefore fairly well balanced, they are reverse biased differently. Each is biased by either V+ or V- and the analog signal. This means their leakages vary as the signal varies. The difference in the two diode leakages from the signal path to the V+ and V- pins constitutes the analog-signal-path leakage current. All analog leakage current flows to the supply terminals, not to the other switch terminal. This explains how both sides of a given switch can show leakage currents of the same or opposite polarity.

There is no connection between the analog-signal paths and GND. The analog-signal paths consist of an N-channel and P-channel MOSFET with their sources and drains paralleled, and their gates driven out of phase to V+ and V- by the logic-level translators.

V+ and GND power the internal logic and logic-level translators, and set the input logic thresholds. The logic-level translators convert the logic levels to switched V+ and V- signals to drive the gates of the analog switches. This drive signal is the only connection between the logic supplies and the analog supplies. V+ and V- have ESD-protection diodes to GND. The logic-level inputs and output have ESD protection to V+ and to GND.

Increasing V- has no effect on the logic-level thresholds, but it does increase the drive to the P-channel switches, reducing their on-resistance. V- also sets the negative limit of the analog-signal voltage.

The logic-level thresholds are CMOS/TTL compatible when V+ = +5V. The threshold increases slightly as V+ is raised, and when V+ reaches +12V, the level threshold is about 3.1V. This is above the TTL output high-level minimum of 2.8V, but still compatible with CMOS outputs.

#### Bipolar Supplies

The MAX4521/MAX4522/MAX4523 operate with bipolar supplies between  $\pm 2V$  and  $\pm 6V$ . The V+ and V- supplies need not be symmetrical, but their sum cannot exceed the absolute maximum rating of 13.0V. **Do not connect the MAX4521/MAX4522/MAX4523 V+ to +3V, and then connect the logic-level-input pins to TTL logic-level signals. TTL logic-level outputs in excess of the absolute maximum ratings can damage the part and/or external circuits.**

**Caution:** The absolute maximum V+ to V- differential voltage is 13.0V. Typical  $\pm 6V$  or 12V supplies with  $\pm 10\%$  tolerances can be as high as 13.2V. This voltage can damage the MAX4521/MAX4522/MAX4523. Even  $\pm 5\%$  tolerance supplies may have overshoot or noise spikes that exceed 13.0V.

#### Single Supply

The MAX4521/MAX4522/MAX4523 operate from a single supply between +2V and +12V when V- is connected to GND. All of the bipolar precautions must be observed.

#### High-Frequency Performance

In  $50\Omega$  systems, signal response is reasonably flat up to 50MHz (see *Typical Operating Characteristics*). Above 20MHz, the on-response has several minor peaks that are highly layout dependent. The problem with high-frequency operation is not turning the switch on, but turning it off. The off-state switch acts like a capacitor and passes higher frequencies with less attenuation. At 10MHz, off-isolation is about -52dB in  $50\Omega$  systems, becoming worse (approximately 20dB per decade) as frequency increases. Higher circuit impedances also make off-isolation worse. Adjacent channel attenuation is about 3dB above that of a bare IC socket, and is due entirely to capacitive coupling.



# Quad, Low-Voltage, SPST Analog Switches

## Test Circuits/Timing Diagrams

MAX4521/MAX4522/MAX4523

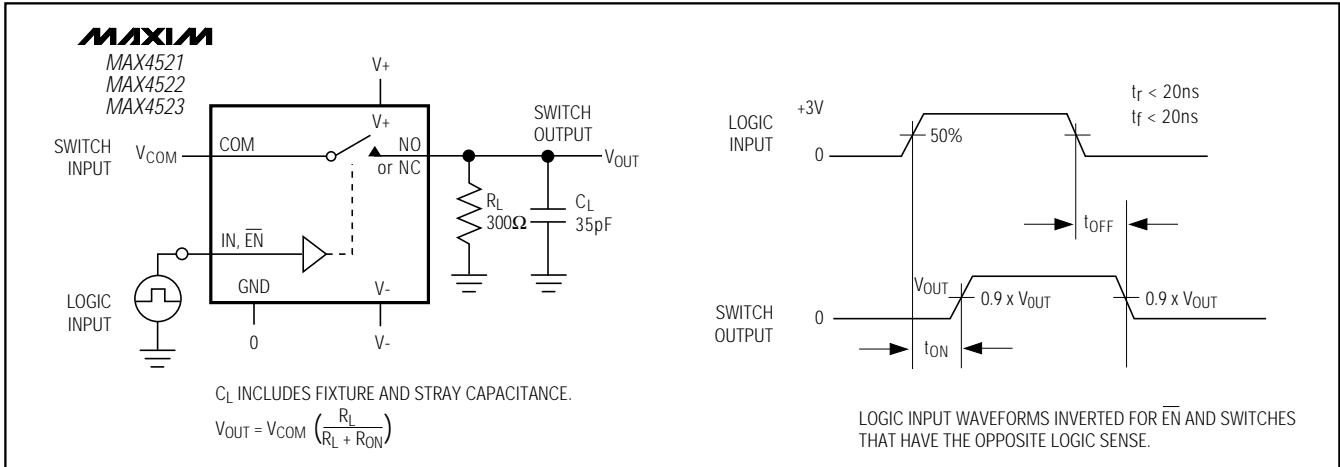


Figure 1. Switching Time

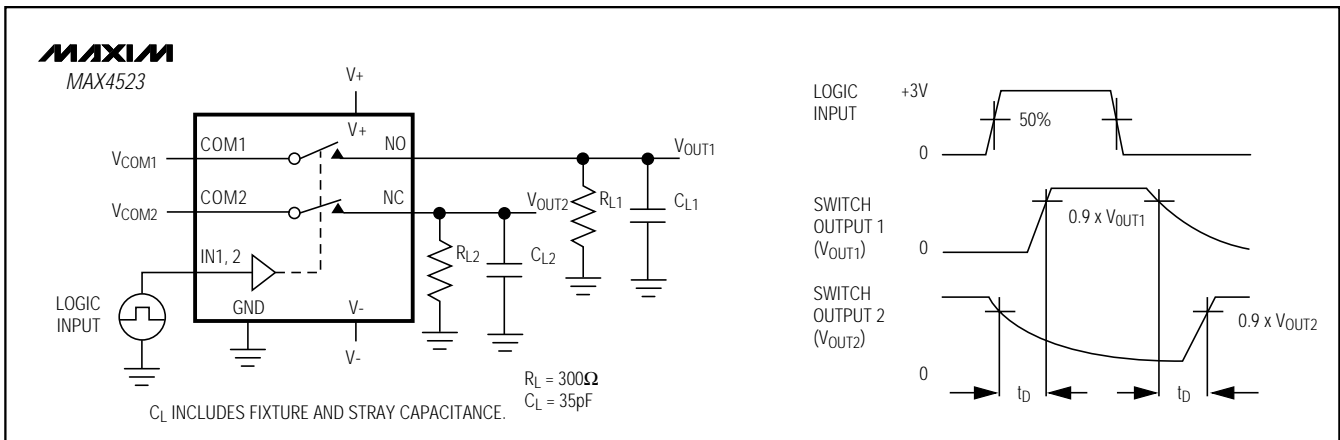


Figure 2. Break-Before-Make Interval (MAX4523 only)

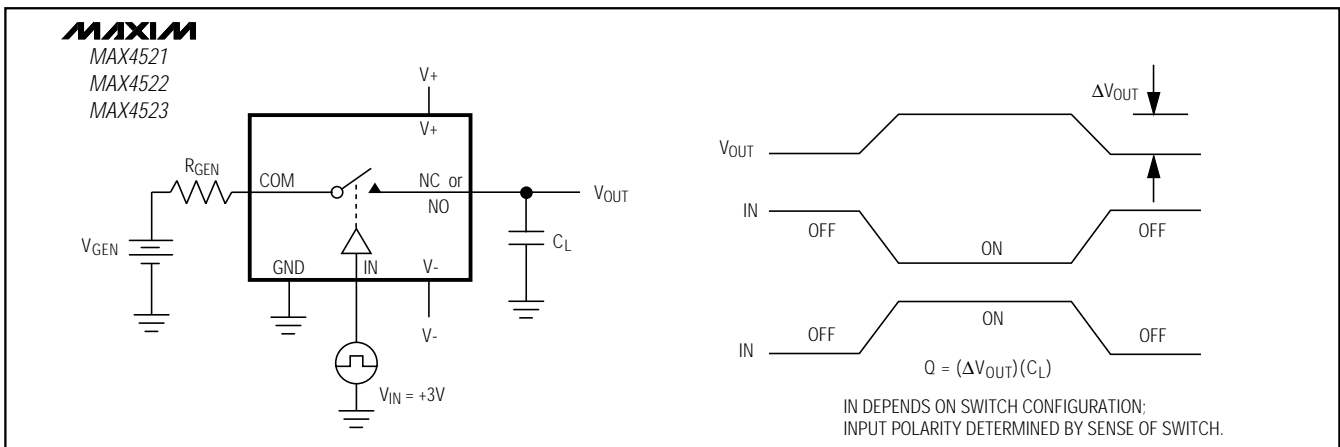


Figure 3. Charge Injection

# Quad, Low-Voltage, SPST Analog Switches

MAX4521/MAX4522/MAX4523

Test Circuits/Timing Diagrams (continued)

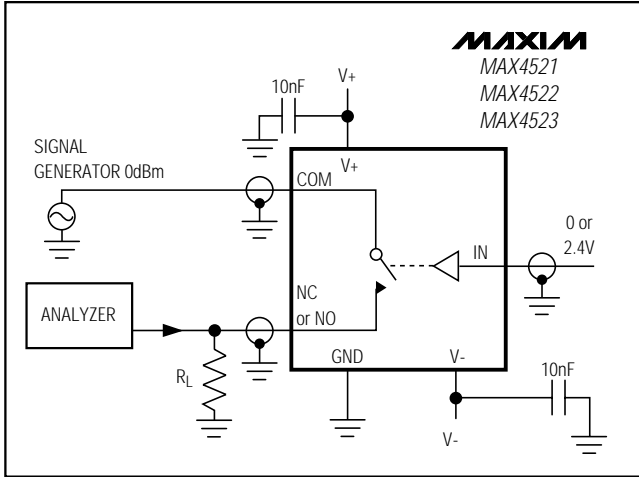


Figure 4. Off-Isolation

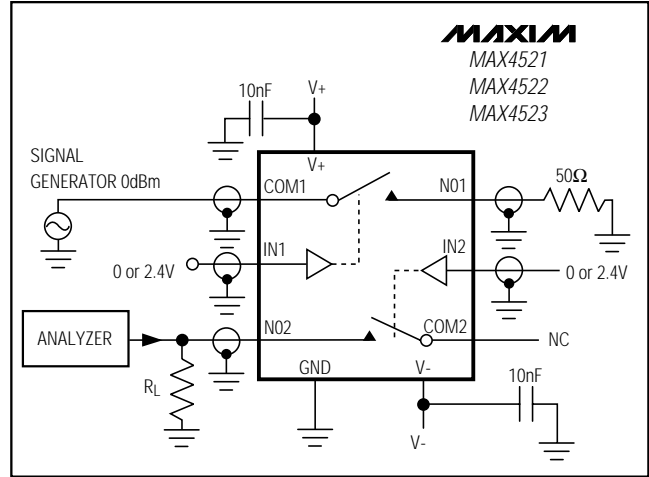


Figure 5. Crosstalk

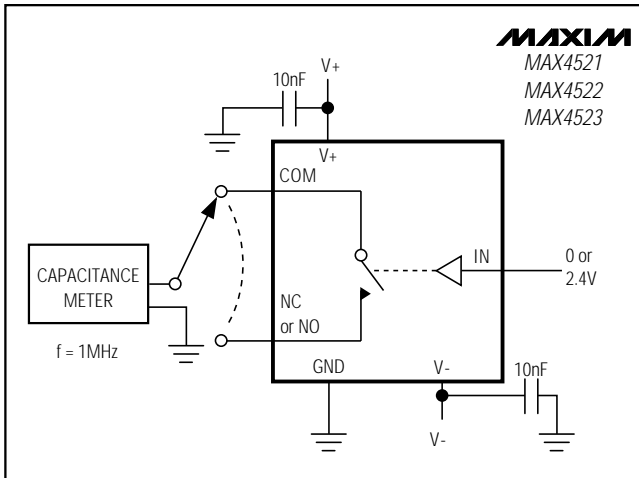


Figure 6. Channel-Off Capacitance

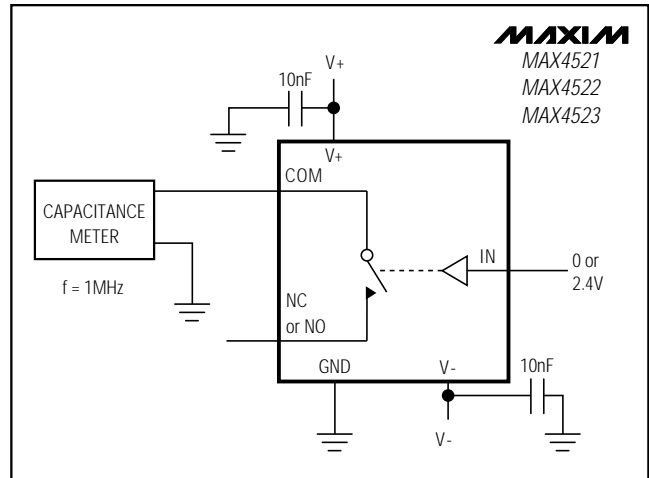


Figure 7. Channel-On Capacitance

# Quad, Low-Voltage, SPST Analog Switches

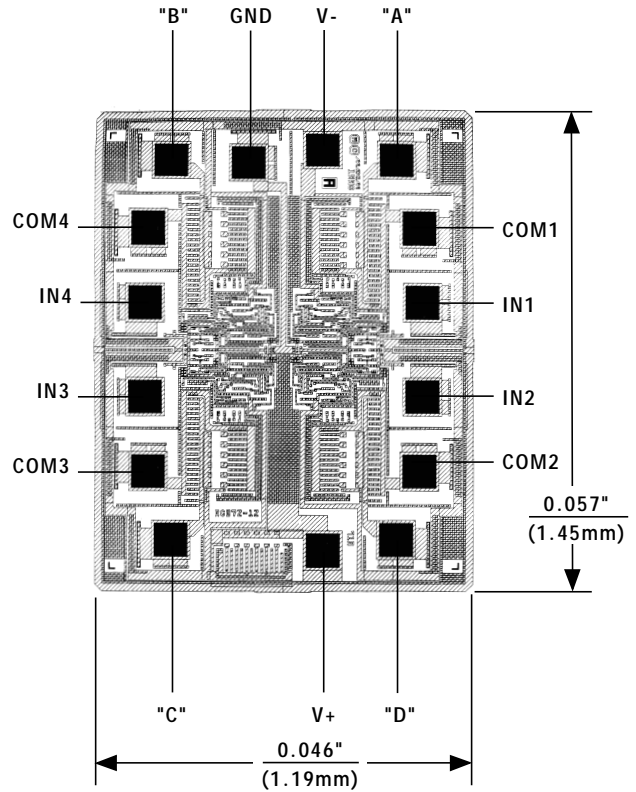
## Ordering Information (continued)

PART	TEMP. RANGE	PIN-PACKAGE
MAX4521EPE	-40°C to +85°C	16 Plastic DIP
MAX4521ESE	-40°C to +85°C	16 Narrow SO
MAX4521EEE	-40°C to +85°C	16 QSOP
MAX4521EUE	-40°C to +85°C	16 TSSOP
MAX4521EGE	-40°C to +85°C	16 QFN
MAX4521MJE	-55°C to +125°C	16 CERDIP**
<b>MAX4522CPE</b>	0°C to +70°C	16 Plastic DIP
MAX4522CSE	0°C to +70°C	16 Narrow SO
MAX4522CEE	0°C to +70°C	16 QSOP
MAX4522CUE	0°C to +70°C	16 TSSOP
MAX4522CGE	0°C to +70°C	16 QFN
MAX4522C/D	0°C to +70°C	Dice*
MAX4522EPE	-40°C to +85°C	16 Plastic DIP
MAX4522ESE	-40°C to +85°C	16 Narrow SO
MAX4522EEE	-40°C to +85°C	16 QSOP
MAX4522EUE	-40°C to +85°C	16 TSSOP
MAX4522EGE	-40°C to +85°C	16 QFN
MAX4522MJE	-55°C to +125°C	16 CERDIP**
<b>MAX4523CPE</b>	0°C to +70°C	16 Plastic DIP
MAX4523CSE	0°C to +70°C	16 Narrow SO
MAX4523CEE	0°C to +70°C	16 QSOP
MAX4523CUE	0°C to +70°C	16 TSSOP
MAX4523CGE	0°C to +70°C	16 QFN
MAX4523C/D	0°C to +70°C	Dice*
MAX4523EPE	-40°C to +85°C	16 Plastic DIP
MAX4523ESE	-40°C to +85°C	16 Narrow SO
MAX4523EEE	-40°C to +85°C	16 QSOP
MAX4523EUE	-40°C to +85°C	16 TSSOP
MAX4523EGE	-40°C to +85°C	16 QFN
MAX4523MJE	-55°C to +125°C	16 CERDIP**

\*Contact factory for dice specifications.

\*\*Contact factory for availability.

## Chip Topography



MAX4521/MAX4522/MAX4523

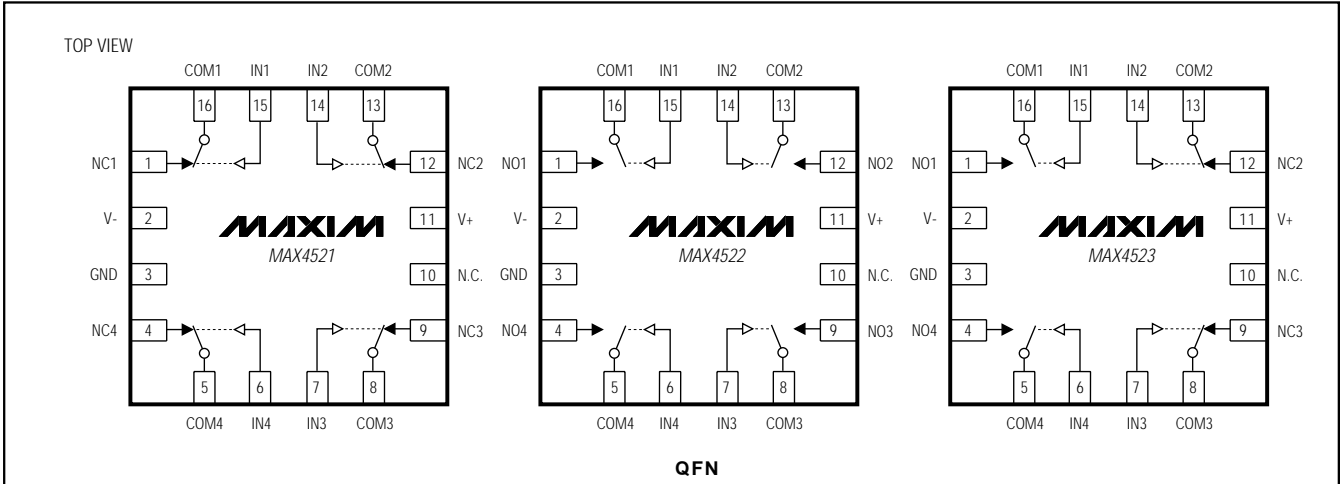
MAX4521		MAX4522		MAX4523	
PIN	NAME	PIN	NAME	PIN	NAME
A	NC1	A	N01	A	N01
B	NC4	B	N04	B	N04
C	NC3	C	N03	C	NC3
D	NC2	D	N02	D	NC2

TRANSISTOR COUNT: 97

SUBSTRATE CONNECTED TO V+

# Quad, Low-Voltage, SPST Analog Switches

## Pin Configurations (continued)



## Package Information

DIM	INCHES		MILLIMETERS	
	MIN	MAX	MIN	MAX
A	.061	.068	1.55	1.73
A1	.004	.0098	0.102	0.249
A2	.055	.061	1.40	1.55
B	.008	.012	0.20	0.31
C	.0075	.0098	0.191	0.249
D	SEE VARIATIONS			
E	.150	.157	3.81	3.99
e	.025 BSC		0.635 BSC	
H	.230	.244	5.84	6.20
h	.010	.016	0.25	0.41
L	.016	.035	0.41	0.89
N	SEE VARIATIONS			
X	SEE VARIATIONS			
Y	.071	.087	1.803	2.209
α	0°	8°	0°	8°

VARIATIONS:					
DIM	INCHES		MILLIMETERS		
	MIN	MAX	MIN	MAX	
D	.189	.196	4.80	4.98	16 AA
S	.0020	.0070	0.05	0.18	
X	.107	.123	2.72	3.12	
D	.337	.344	8.56	8.74	20 AB
S	.0500	.0550	1.270	1.397	
D	.337	.344	8.56	8.74	24 AC
S	.0250	.0300	0.635	0.762	
D	.386	.393	9.80	9.98	28 AD
S	.0250	.0300	0.635	0.762	
X	.271	.287	6.88	7.29	

**NOTES:**  
 1. D & E DO NOT INCLUDE MOLD FLASH OR PROTRUSIONS.  
 2. MOLD FLASH OR PROTRUSIONS NOT TO EXCEED .006" PER SIDE.  
 3. HEAT SLUG DIMENSIONS X AND Y APPLY ONLY TO 16 AND 28 LEAD POWER-QSDP PACKAGES.  
 4. CONTROLLING DIMENSIONS: INCHES.  
 5. MEETS JEDEC MO137.

OSDOPERS

**MAXIM**

PROPRIETARY INFORMATION

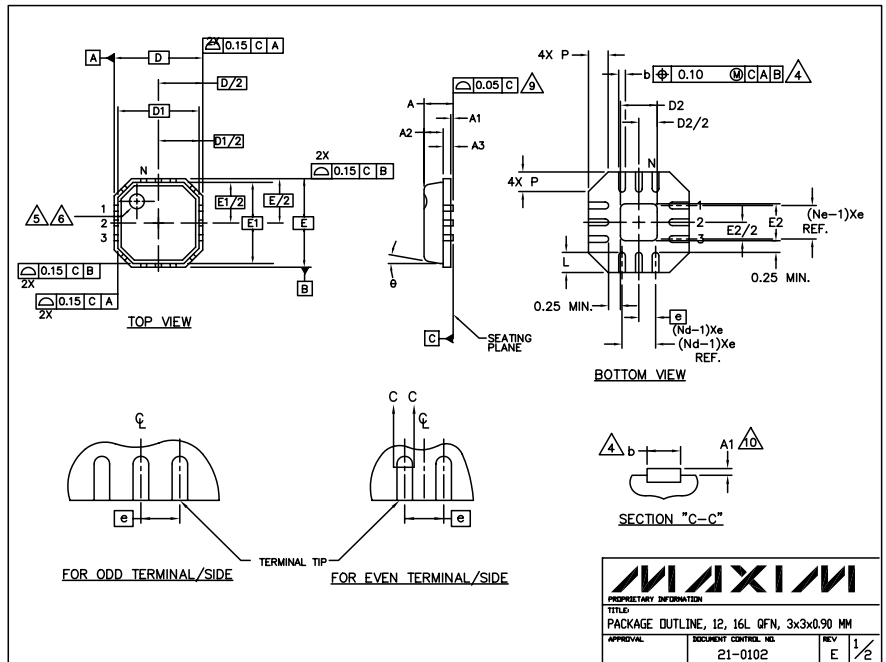
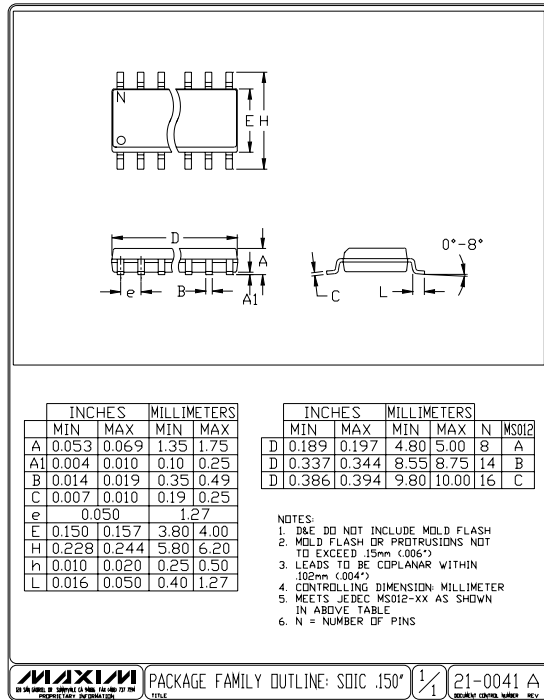
TITLE: PACKAGE OUTLINE, QSDP, .150", .025" LEAD PITCH

APPROVAL	DOCUMENT CONTROL NO.	REV	REV
	21-0055	C	1/1

# Quad, Low-Voltage, SPST Analog Switches

## Package Information (continued)

MAX4521/MAX4522/MAX4523



# Quad, Low-Voltage, SPST Analog Switches

## Package Information (continued)

**NOTES:**

1. DIE THICKNESS ALLOWABLE IS 0.305mm MAXIMUM (.012 INCHES MAXIMUM)
2. DIMENSIONING & TOLERANCES CONFORM TO ASME Y14.5M. - 1994.

△ N IS THE NUMBER OF TERMINALS.  
 Nd IS THE NUMBER OF TERMINALS IN X-DIRECTION &  
 Ne IS THE NUMBER OF TERMINALS IN Y-DIRECTION.

△ DIMENSION b APPLIES TO PLATED TERMINAL AND IS MEASURED BETWEEN 0.20 AND 0.25mm FROM TERMINAL TIP.

△ THE PIN #1 IDENTIFIER MUST EXIST ON THE TOP SURFACE OF THE PACKAGE BY USING INDENTATION MARK OR INK/ LASER MARKED.

△ EXACT SHAPE AND SIZE OF THIS FEATURE IS OPTIONAL.

7. ALL DIMENSIONS ARE IN MILLIMETERS.
8. PACKAGE WARPAGE MAX 0.05mm.
9. APPLIED FOR EXPOSED PAD AND TERMINALS. EXCLUDE EMBEDDING PART OF EXPOSED PAD FROM MEASURING.

△ MEETS JEDEC MO220.

11. THIS PACKAGE OUTLINE APPLIES TO ANVIL SINGULATION (STEPPED SIDES) AND TO SAW SINGULATION (STRAIGHT SIDES) QFN STYLES.

COMMON DIMENSIONS			
	MIN.	NOM.	MAX.
A	0.80	0.90	1.00
A1	0.00	0.01	0.05
A2	0.00	0.85	1.00
A3	0.20 REF.		
D	3.00 BSC		
DT	2.75 BSC		
F	3.00 BSC		
E1	2.75 BSC		
B	0°		12°
P	0		0.60
D2	0.25		1.65
E2	0.25		1.65

PITCH VARIATION C				PITCH VARIATION D			
	MIN.	NOM.	MAX.		MIN.	NOM.	MAX.
	0.50 BSC				0.50 BSC		
N	12			N	16		
Nd	3			Nd	4		
Ne	3			Ne	4		
L	0.35	0.55	0.75	L	0.30	0.40	0.50
b	0.18	0.23	0.30	b	0.18	0.23	0.30

<b>MAXIM</b>			
<small>PROPRIETARY INFORMATION</small>			
<small>TITLE</small>			
PACKAGE OUTLINE, 12, 16L QFN, 3x3x0.90 MM			
<small>APPROVAL</small>	<small>DOCUMENT CONTROL NO.</small>	<small>REV</small>	<small>2/2</small>
	21-0102	E	

Maxim cannot assume responsibility for use of any circuitry other than circuitry entirely embodied in a Maxim product. No circuit patent licenses are implied. Maxim reserves the right to change the circuitry and specifications without notice at any time.

14 \_\_\_\_\_ Maxim Integrated Products, 120 San Gabriel Drive, Sunnyvale, CA 94086 (408) 737-7600