

SN54273, SN54LS273, SN74273, SN74LS273 OCTAL D-TYPE FLIP-FLOP WITH CLEAR

SDLS090 – OCTOBER 1976 – REVISED MARCH 1988

- Contains Eight Flip-Flops With Single-Rail Outputs
- Buffered Clock and Direct Clear Inputs
- Individual Data Input to Each Flip-Flop
- Applications Include:
 - Buffer/Storage Registers
 - Shift Registers
 - Pattern Generators

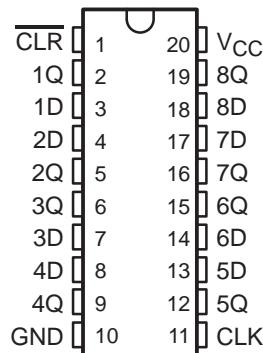
description

These monolithic, positive-edge-triggered flip-flops utilize TTL circuitry to implement D-type flip-flop logic with a direct clear input.

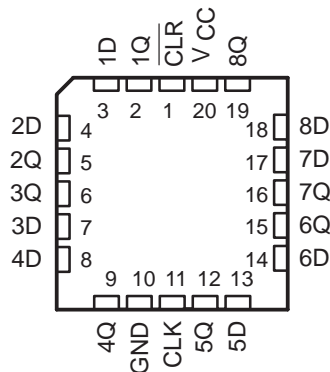
Information at the D inputs meeting the setup time requirements is transferred to the Q outputs on the positive-going edge of the clock pulse. Clock triggering occurs at a particular voltage level and is not directly related to the transition time of the positive-going pulse. When the clock input is at either the high or low level, the D input signal has no effect at the output.

These flip-flops are guaranteed to respond to clock frequencies ranging from 0 to 30 megahertz while maximum clock frequency is typically 40 megahertz. Typical power dissipation is 39 milliwatts per flip-flop for the '273 and 10 milliwatts for the 'LS273.

SN54273, SN74LS273 . . . J OR W PACKAGE
SN74273 . . . N PACKAGE
SN74LS273 . . . DW OR N PACKAGE
(TOP VIEW)



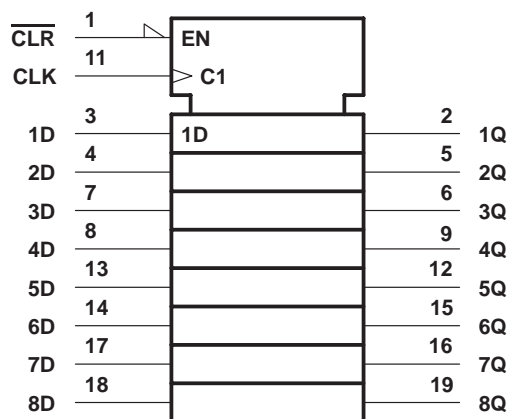
SN54LS273 . . . FK PACKAGE
(TOP VIEW)



FUNCTION TABLE
(each flip-flop)

INPUTS			OUTPUT Q
CLEAR	CLOCK	D	
L	X	X	L
H	↑	H	H
H	↑	L	L
H	L	X	Q ₀

logic symbol†

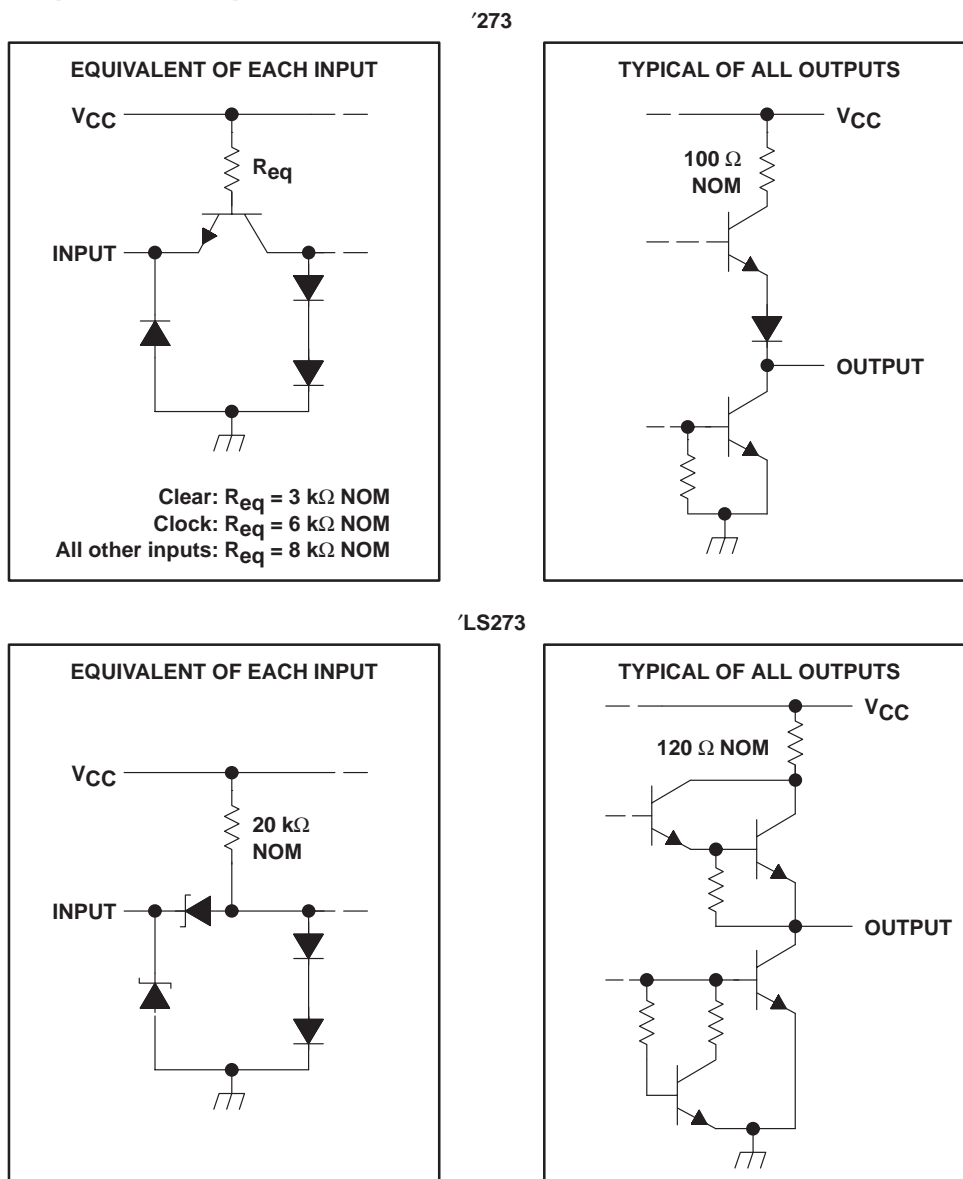


† This symbol is in accordance with ANSI/IEEE Std. 91-1984 and IEC Publication 617-12. Pin numbers shown are for the DW, J, N, and W packages.

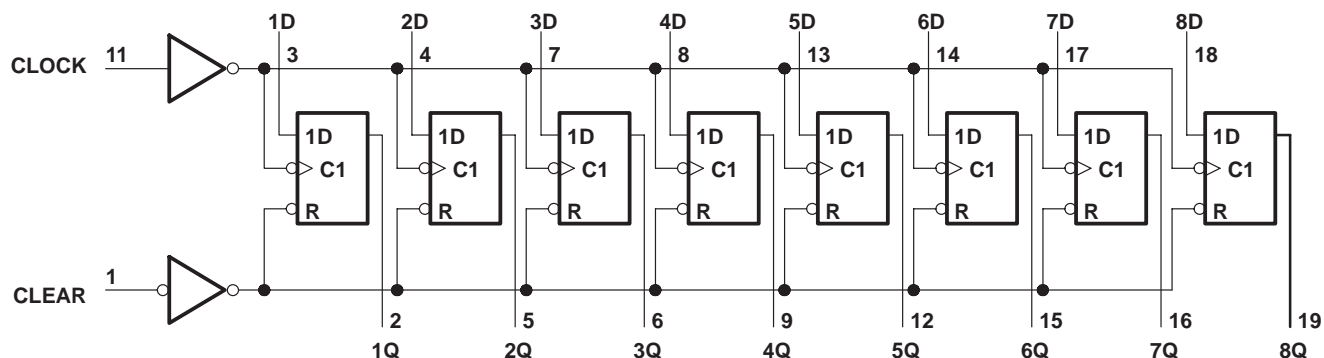
SN54273, SN54LS273, SN74273, SN74LS273 OCTAL D-TYPE FLIP-FLOP WITH CLEAR

SDLS090 – OCTOBER 1976 – REVISED MARCH 1988

schematics of inputs and outputs



logic diagram (positive logic)



Pin numbers shown are for the DW, J, N, and W packages.

SN54273, SN54LS273, SN74273, SN74LS273 OCTAL D-TYPE FLIP-FLOP WITH CLEAR

SDLS090 – OCTOBER 1976 – REVISED MARCH 1988

absolute maximum ratings over operating free-air temperature range (unless otherwise noted)

Supply voltage, V_{CC} (see Note 1)	7 V
Input voltage	5.5 V
Operating free-air temperature range, T_A : SN54273	-55°C to 125°C
SN74273	0°C to 70°C
Storage temperature range	-65°C to 150°C

NOTE 1: Voltage values are with respect to network ground terminal.

recommended operating conditions

	SN54273			SN74273			UNIT
	MIN	NOM	MAX	MIN	NOM	MAX	
Supply voltage, V_{CC}	4.5	5	5.5	4.75	5	5.25	V
High-level output current, I_{OH}			-800			-800	μ A
Low-level output current, I_{OL}			16			16	mA
Clock frequency, f_{clock}	0		30	0		30	MHz
Width of clock or clear pulse, t_w	16.5			16.5			ns
Setup time, t_{su}	Data input		20 \uparrow	Data input		20 \uparrow	ns
	Clear inactive state		25 \uparrow	Clear inactive state		25 \uparrow	
Data hold time, t_h	5 \uparrow			5 \uparrow			ns
Operating free-air temperature, T_A	-55		125	0		70	°C

\uparrow The arrow indicates that the rising edge of the clock pulse is used for reference.

electrical characteristics over recommended operating free-air temperature range (unless otherwise noted)

PARAMETER		TEST CONDITIONS \dagger	MIN	TYP \ddagger	MAX	UNIT
V_{IH}	High-level input voltage		2			V
V_{IL}	Low-level input voltage				0.8	V
V_{IK}	Input clamp voltage	$V_{CC} = \text{MIN}$, $I_I = -12 \text{ mA}$			-1.5	V
V_{OH}	High-level output voltage	$V_{CC} = \text{MIN}$, $V_{IL} = 0.8 \text{ V}$, $I_{OH} = -800 \mu\text{A}$	2.4	3.4		V
V_{OL}	Low-level output voltage	$V_{CC} = \text{MIN}$, $V_{IL} = 0.8 \text{ V}$, $I_{OH} = 16 \text{ mA}$			0.4	V
I_I	Input current at maximum input voltage	$V_{CC} = \text{MAX}$, $V_I = 5.5 \text{ V}$			1	mA
I_{IH}	High-level input current	Clear			80	μ A
		Clock or D	$V_{CC} = \text{MAX}$, $V_I = 2.4 \text{ V}$		40	
I_{IL}	Low-level input current	Clear	$V_{CC} = \text{MAX}$, $V_I = 0.4 \text{ V}$		-3.2	mA
		Clock or D			-1.6	
I_{OS}	Short-circuit output current \S	$V_{CC} = \text{MAX}$	-18		-57	mA
I_{CC}	Supply current	$V_{CC} = \text{MAX}$, See Note 2		62	94	mA

\dagger For conditions shown as MIN or MAX, use the appropriate value specified under recommended operating conditions.

\ddagger All typical values are at $V_{CC} = 5 \text{ V}$, $T_A = 25^\circ\text{C}$.

\S Not more than one output should be shorted at a time.

NOTE 2: With all outputs open and 4.5 V applied to all data and clear inputs, I_{CC} is measured after a momentary ground, then 4.5 V, is applied to clock.

SN54273, SN54LS273, SN74273, SN74LS273 OCTAL D-TYPE FLIP-FLOP WITH CLEAR

SDLS090 – OCTOBER 1976 – REVISED MARCH 1988

switching characteristics, $V_{CC} = 5\text{ V}$, $T_A = 25^\circ\text{C}$

PARAMETER	TEST CONDITIONS	MIN	TYP	MAX	UNIT
f_{\max} Maximum clock frequency	$C_L = 15\text{ pF}$, $R_L = 400\ \Omega$, See Note 3	30	40		MHz
t_{PHL} Propagation delay time, high-to-low-level output from clear			18	27	ns
t_{PLH} Propagation delay time, low-to-high-level output from clock			17	27	ns
t_{PHL} Propagation delay time, high-to-low-level output from clock			18	27	ns

NOTE 3: Load circuits and voltage waveforms are shown in Section 1.

absolute maximum ratings over operating free-air temperature range (unless otherwise noted)

Supply voltage, V_{CC} (see Note 1)	7 V
Input voltage	7 V
Operating free-air temperature range, T_A : SN54LS273	-55°C to 125°C
SN74LS273	0°C to 70°C
Storage temperature range	-65°C to 150°C

NOTE 1: Voltage values are with respect to network ground terminal.

recommended operating conditions

	SN54LS273			SN74LS273			UNIT
	MIN	NOM	MAX	MIN	NOM	MAX	
Supply voltage, V_{CC}	4.5	5	5.5	4.75	5	5.25	V
High-level output current, I_{OH}			-400			-400	μA
Low-level output current, I_{OL}			4			8	mA
Clock frequency, f_{clock}	0		30	0		30	MHz
Width of clock or clear pulse, t_w	20			20			ns
Setup time, t_{su}	Data input			20 \uparrow			ns
	Clear inactive state			25 \uparrow			
Data hold time, t_h	5 \uparrow			5 \uparrow			ns
Operating free-air temperature, T_A	-55		125	0		70	$^\circ\text{C}$

\uparrow The arrow indicates that the rising edge of the clock pulse is used for reference.

SN54273, SN54LS273, SN74273, SN74LS273 OCTAL D-TYPE FLIP-FLOP WITH CLEAR

SDLS090 – OCTOBER 1976 – REVISED MARCH 1988

electrical characteristics over recommended operating free-air temperature range (unless otherwise noted)

PARAMETER	TEST CONDITIONST	SN54LS273			SN74LS273			UNIT
		MIN	TYP‡	MAX	MIN	TYP‡	MAX	
V _{IH} High-level input voltage		2			2			V
V _{IL} Low-level input voltage				0.7			0.8	V
V _{IK} Input clamp voltage	V _{CC} = MIN, I _I = -18 mA			-1.5			-1.5	V
V _{OH} High-level output voltage	V _{CC} = MIN, V _{IH} = 2 V, V _{IL} = V _{ILmax} , I _{OH} = -400 μA	2.5	3.4		2.7	3.4		V
V _{OL} Low-level output voltage	V _{CC} = MIN, V _{IH} = 2 V, V _{IL} = V _{ILmax} , I _{OL} = 4 mA	0.25	0.4		0.25	0.4		V
					0.35	0.5		
I _I Input current at maximum input voltage	V _{CC} = MAX, V _I = 7 V			0.1			0.1	mA
I _{IH} High-level input current	V _{CC} = MAX, V _I = 2.7 V			20			20	μA
I _{IL} Low-level input current	V _{CC} = MAX, V _I = 0.4 V			-0.4			-0.4	mA
I _{OS} Short-circuit output current§	V _{CC} = MAX	-20		-100	-20		-100	mA
I _{CC} Supply current	V _{CC} = MAX, See Note 2		17	27		17	27	mA

† For conditions shown as MIN or MAX, use the appropriate value specified under recommended operating conditions.

‡ All typical values are at V_{CC} = 5 V, T_A = 25°C.

§ Not more than one output should be shorted at a time and duration of short circuit should not exceed one second.

NOTE 2: With all outputs open and 4.5 V applied to all data and clear inputs, I_{CC} is measured after a momentary ground, then 4.5 V, is applied to clock.

switching characteristics, V_{CC} = 5 V, T_A = 25°C

PARAMETER	TEST CONDITIONS	MIN	TYP	MAX	UNIT
f _{max} Maximum clock frequency	C _L = 15 pF, R _L = 2 kΩ, See Note 3	30	40		MHz
t _{PHL} Propagation delay time, high-to-low-level output from clear			18	27	ns
t _{PLH} Propagation delay time, low-to-high-level output from clock			17	27	ns
t _{PHL} Propagation delay time, high-to-low-level output from clock			18	27	ns

NOTE 3: Load circuits and voltage waveforms are shown in Section 1.



IMPORTANT NOTICE

Texas Instruments and its subsidiaries (TI) reserve the right to make changes to their products or to discontinue any product or service without notice, and advise customers to obtain the latest version of relevant information to verify, before placing orders, that information being relied on is current and complete. All products are sold subject to the terms and conditions of sale supplied at the time of order acknowledgement, including those pertaining to warranty, patent infringement, and limitation of liability.

TI warrants performance of its semiconductor products to the specifications applicable at the time of sale in accordance with TI's standard warranty. Testing and other quality control techniques are utilized to the extent TI deems necessary to support this warranty. Specific testing of all parameters of each device is not necessarily performed, except those mandated by government requirements.

CERTAIN APPLICATIONS USING SEMICONDUCTOR PRODUCTS MAY INVOLVE POTENTIAL RISKS OF DEATH, PERSONAL INJURY, OR SEVERE PROPERTY OR ENVIRONMENTAL DAMAGE ("CRITICAL APPLICATIONS"). TI SEMICONDUCTOR PRODUCTS ARE NOT DESIGNED, AUTHORIZED, OR WARRANTED TO BE SUITABLE FOR USE IN LIFE-SUPPORT DEVICES OR SYSTEMS OR OTHER CRITICAL APPLICATIONS. INCLUSION OF TI PRODUCTS IN SUCH APPLICATIONS IS UNDERSTOOD TO BE FULLY AT THE CUSTOMER'S RISK.

In order to minimize risks associated with the customer's applications, adequate design and operating safeguards must be provided by the customer to minimize inherent or procedural hazards.

TI assumes no liability for applications assistance or customer product design. TI does not warrant or represent that any license, either express or implied, is granted under any patent right, copyright, mask work right, or other intellectual property right of TI covering or relating to any combination, machine, or process in which such semiconductor products or services might be or are used. TI's publication of information regarding any third party's products or services does not constitute TI's approval, warranty or endorsement thereof.