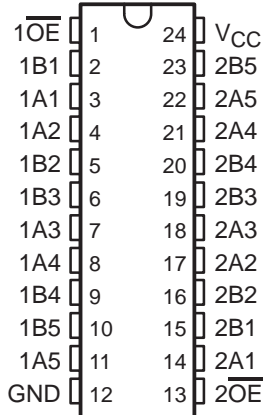


# SN54CBTD3384, SN74CBTD3384 10-BIT FET BUS SWITCHES WITH LEVEL SHIFTING

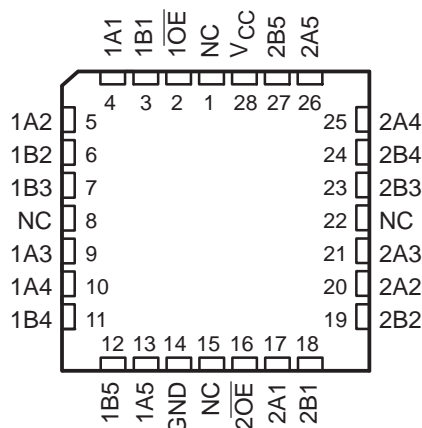
SCDS025R – MAY 1995 – REVISED JANUARY 2004

- 5-Ω Switch Connection Between Two Ports
- TTL-Compatible Input Levels
- Designed to Be Used in Level-Shifting Applications

SN54CBTD3384 . . . JT OR W PACKAGE  
SN74CBTD3384 . . . DB, DBQ, DGV, DW, OR PW PACKAGE  
(TOP VIEW)



SN54CBTD3384 . . . FK PACKAGE  
(TOP VIEW)



NC – No internal connection

## description/ordering information

The 'CBTD3384 devices provide ten bits of high-speed TTL-compatible bus switching. The low on-state resistance of the switches allows connections to be made without adding propagation delay. A diode to V<sub>CC</sub> is integrated on the die to allow for level shifting from 5-V signals at the device inputs to 3.3-V signals at the device outputs.

These devices are organized as two 5-bit switches with separate output-enable ( $\overline{OE}$ ) inputs. When  $\overline{OE}$  is low, the switch is on, and port A is connected to port B. When  $\overline{OE}$  is high, the switch is open, and the high-impedance state exists between the two ports.

## ORDERING INFORMATION

| T <sub>A</sub> | PACKAGE†          |               | ORDERABLE PART NUMBER | TOP-SIDE MARKING |
|----------------|-------------------|---------------|-----------------------|------------------|
| -40°C to 85°C  | SOIC – DW         | Tube          | SN74CBTD3384DW        | CBTD3384         |
|                |                   | Tape and reel | SN74CBTD3384DWR       |                  |
|                | SSOP – DB         | Tape and reel | SN74CBTD3384DBR       | CC384            |
|                | SSOP (QSOP) – DBQ | Tape and reel | SN74CBTD3384DBQR      | CBTD3384         |
|                | TSSOP – PW        | Tube          | SN74CBTD3384PW        | CC384            |
|                |                   | Tape and reel | SN74CBTD3384PWR       |                  |
|                | TVSOP – DGV       | Tape and reel | SN74CBTD3384DGV       | CC384            |
| -55°C to 125°C | CDIP – JT         | Tube          | SNJ54CBTD3384JT       | SNJ54CBTD3384JT  |
|                | CFP – W           | Tube          | SNJ54CBTD3384W        | SNJ54CBTD3384W   |
|                | LCCC – FK         | Tube          | SNJ54CBTD3384FK       | SNJ54CBTD3384FK  |

† Package drawings, standard packing quantities, thermal data, symbolization, and PCB design guidelines are available at [www.ti.com/sc/package](http://www.ti.com/sc/package).



Please be aware that an important notice concerning availability, standard warranty, and use in critical applications of Texas Instruments semiconductor products and disclaimers thereto appears at the end of this data sheet.

PRODUCTION DATA information is current as of publication date. Products conform to specifications per the terms of Texas Instruments standard warranty. Production processing does not necessarily include testing of all parameters.

 **TEXAS  
INSTRUMENTS**

POST OFFICE BOX 655303 • DALLAS, TEXAS 75265

Copyright © 2004, Texas Instruments Incorporated  
On products compliant to MIL-PRF-38535, all parameters are tested unless otherwise noted. On all other products, production processing does not necessarily include testing of all parameters.

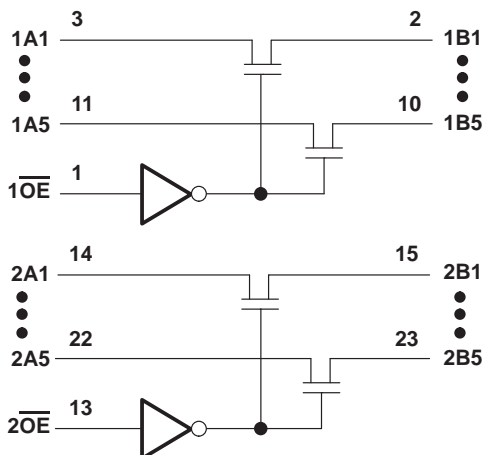
# SN54CBTD3384, SN74CBTD3384 10-BIT FET BUS SWITCHES WITH LEVEL SHIFTING

SCDS025R – MAY 1995 – REVISED JANUARY 2004

**FUNCTION TABLE**  
(each 5-bit bus switch)

| INPUTS           |                  | INPUTS/OUTPUTS |         |
|------------------|------------------|----------------|---------|
| $\overline{1OE}$ | $\overline{2OE}$ | 1B1–1B5        | 2B1–2B5 |
| L                | L                | 1A1–1A5        | 2A1–2A5 |
| L                | H                | 1A1–1A5        | Z       |
| H                | L                | Z              | 2A1–2A5 |
| H                | H                | Z              | Z       |

## logic diagram (positive logic)



Pin numbers shown are for the DB, DBQ, DGV, DW, JT, PW, and W packages.

## absolute maximum ratings over operating free-air temperature range (unless otherwise noted)†

|  |                |
|--|----------------|
| Supply voltage range, $V_{CC}$                         | –0.5 V to 7 V  |
| Input voltage range, $V_I$ (see Note 1)                | –0.5 V to 7 V  |
| Continuous channel current                             | 128 mA         |
| Input clamp current, $I_{IK}$ ( $V_{I/O} < 0$ )        | –50 mA         |
| Package thermal impedance, $\theta_{JA}$ (see Note 2): |                |
| DB package   | 63°C/W         |
| DBQ package  | 61°C/W         |
| DGV package  | 86°C/W         |
| DW package   | 46°C/W         |
| PW package   | 88°C/W         |
| Storage temperature range, $T_{stg}$                   | –65°C to 150°C |

† Stresses beyond those listed under “absolute maximum ratings” may cause permanent damage to the device. These are stress ratings only, and functional operation of the device at these or any other conditions beyond those indicated under “recommended operating conditions” is not implied. Exposure to absolute-maximum-rated conditions for extended periods may affect device reliability.

- NOTES: 1. The input and output negative-voltage ratings may be exceeded if the input and output clamp-current ratings are observed.  
2. The package thermal impedance is calculated in accordance with JESD 51-7.



# SN54CBTD3384, SN74CBTD3384 10-BIT FET BUS SWITCHES WITH LEVEL SHIFTING

SCDS025R – MAY 1995 – REVISED JANUARY 2004

## recommended operating conditions (see Note 3)

|  | SN54CBTD3384 |     | SN74CBTD3384 |     | UNIT |
|--|--------------|-----|--------------|-----|------|
|  | MIN          | MAX | MIN          | MAX |      |
| V <sub>CC</sub> Supply voltage                   | 4.5          | 5.5 | 4.5          | 5.5 | V    |
| V <sub>IH</sub> High-level control input voltage | 2            |     | 2            |     | V    |
| V <sub>IL</sub> Low-level control input voltage  |              | 0.8 |              | 0.8 | V    |
| T <sub>A</sub> Operating free-air temperature    | -55          | 125 | -40          | 85  | °C   |

In applications with fast edge rates, multiple outputs switching, and operating at high frequencies, the output may have little or no level-shifting effect.

NOTE 3: All unused control inputs of the device must be held at V<sub>CC</sub> or GND to ensure proper device operation. Refer to the TI application report, *Implications of Slow or Floating CMOS Inputs*, literature number SCBA004.

## electrical characteristics over recommended operating free-air temperature range (unless otherwise noted)

| PARAMETER             | TEST CONDITIONS  | SN54CBTD3384                                   |                        | SN74CBTD3384 |     | UNIT |      |
|-----------------------|--|--|------------------------|--------------|-----|------|------|
|                       |  | MIN  | TYP†                   | MAX          | MIN |      | TYP† |
| V <sub>IK</sub>       | V <sub>CC</sub> = 4.5 V, I <sub>I</sub> = -18 mA   |  |                        | -1.2         |     | -1.2 | V    |
| V <sub>OH</sub>       | See Figure 2   |  |                        |              |     |      |      |
| I <sub>I</sub>        | V <sub>CC</sub> = 5.5 V, V <sub>I</sub> = 5.5 V or GND   |  |                        | ±1           |     | ±1   | μA   |
| I <sub>CC</sub>       | V <sub>CC</sub> = 5.5 V, I <sub>O</sub> = 0, V <sub>I</sub> = V <sub>CC</sub> or GND                     |  |                        | 1.5          |     | 1.5  | mA   |
| ΔI <sub>CC</sub> ‡    | Control inputs<br>V <sub>CC</sub> = 5.5 V, One input at 3.4 V,<br>Other inputs at V <sub>CC</sub> or GND |  |                        | 2.5          |     | 2.5  | mA   |
| C <sub>i</sub>        | Control inputs<br>V <sub>I</sub> = 3 V or 0  |  |                        | 3            |     | 3    | pF   |
| C <sub>io</sub> (OFF) | V <sub>O</sub> = 3 V or 0, $\overline{OE}$ = V <sub>CC</sub>   |  |                        | 3.5          |     | 3.5  | pF   |
| r <sub>on</sub> §     | V <sub>CC</sub> = 4.5 V  | V <sub>I</sub> = 0                             | I <sub>I</sub> = 64 mA | 5            | 5   | 7    | Ω    |
|                       |  |  | I <sub>I</sub> = 30 mA | 5            | 5   | 7    |      |
|                       |  | V <sub>I</sub> = 2.4 V, I <sub>I</sub> = 15 mA | 35                     | 35           | 50  |      |      |

† Typical values are at V<sub>CC</sub> = 5 V, T<sub>A</sub> = 25°C.

‡ This is the increase in supply current for each input that is at the specified TTL voltage level, rather than V<sub>CC</sub> or GND.

§ Measured by the voltage drop between the A and B terminals at the indicated current through the switch. On-state resistance is determined by the lowest voltage of the two (A or B) terminals.

## switching characteristics over recommended ranges of supply voltage and operating free-air temperature range, C<sub>L</sub> = 50 pF (unless otherwise noted) (see Figure 1)

| PARAMETER         | FROM (INPUT)    | TO (OUTPUT) | SN54CBTD3384 |      | SN74CBTD3384 |      | UNIT |
|-------------------|-----------------|-------------|--------------|------|--------------|------|------|
|                   |                 |             | MIN          | MAX  | MIN          | MAX  |      |
| t <sub>pd</sub> ¶ | A or B          | B or A      |              | 0.25 |              | 0.25 | ns   |
| t <sub>en</sub>   | $\overline{OE}$ | A or B      | 2.2          | 9.7  | 2.3          | 7    | ns   |
| t <sub>dis</sub>  | $\overline{OE}$ | A or B      | 1.5          | 8.6  | 1.7          | 5.3  | ns   |

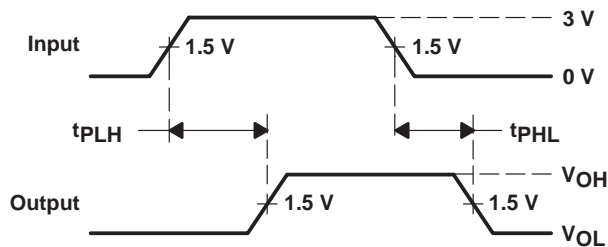
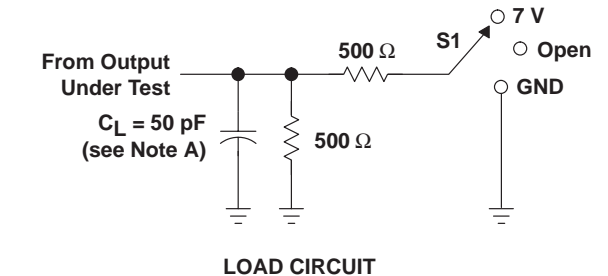
¶ The propagation delay is the calculated RC time constant of the typical on-state resistance of the switch and the specified load capacitance, when driven by an ideal voltage source (zero output impedance).



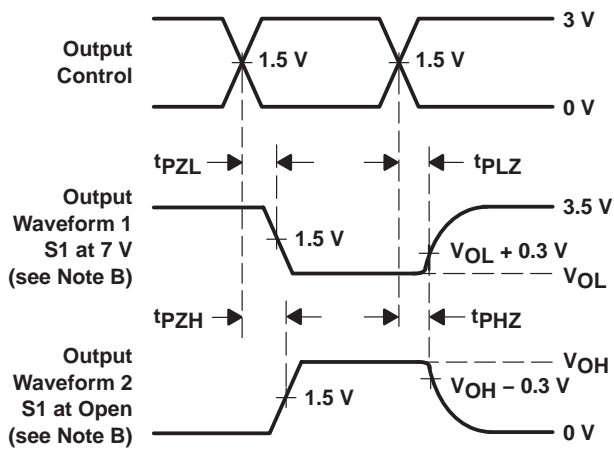
# SN54CBTD3384, SN74CBTD3384 10-BIT FET BUS SWITCHES WITH LEVEL SHIFTING

SCDS025R – MAY 1995 – REVISED JANUARY 2004

## PARAMETER MEASUREMENT INFORMATION



| TEST              | S1   |
|-------------------|------|
| $t_{pd}$          | Open |
| $t_{PLZ}/t_{PZL}$ | 7 V  |
| $t_{PHZ}/t_{PZH}$ | Open |



- NOTES:
- $C_L$  includes probe and jig capacitance.
  - Waveform 1 is for an output with internal conditions such that the output is low except when disabled by the output control. Waveform 2 is for an output with internal conditions such that the output is high except when disabled by the output control.
  - All input pulses are supplied by generators having the following characteristics:  $PRR \leq 10 \text{ MHz}$ ,  $Z_O = 50 \Omega$ ,  $t_r \leq 2.5 \text{ ns}$ ,  $t_f \leq 2.5 \text{ ns}$ .
  - The outputs are measured one at a time with one transition per measurement.
  - $t_{PLZ}$  and  $t_{PHZ}$  are the same as  $t_{dis}$ .
  - $t_{PZL}$  and  $t_{PZH}$  are the same as  $t_{en}$ .
  - $t_{PLH}$  and  $t_{PHL}$  are the same as  $t_{pd}$ .

Figure 1. Load Circuit and Voltage Waveforms

TYPICAL CHARACTERISTICS

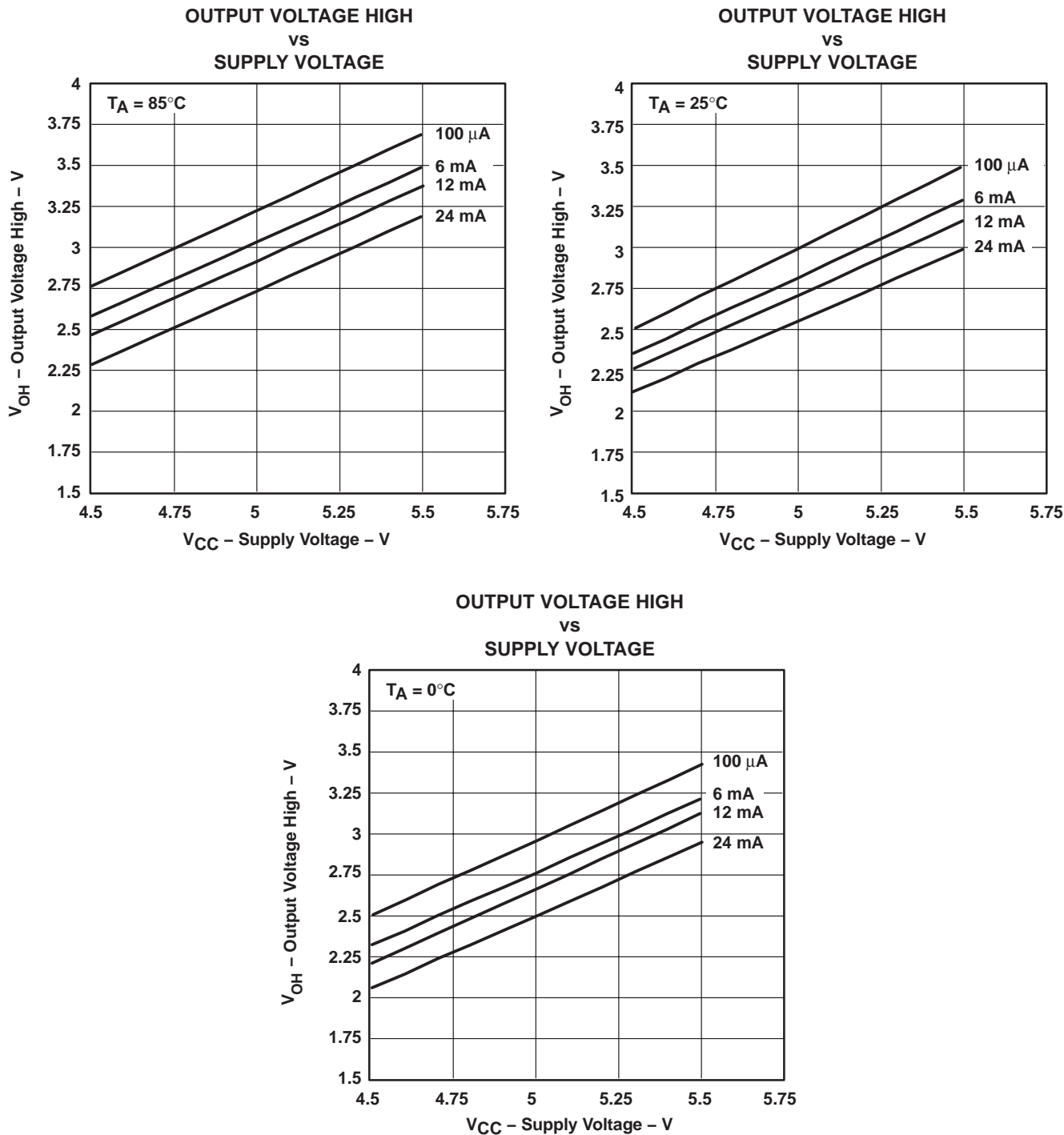


Figure 2. VOH Values

**PACKAGING INFORMATION**

| Orderable Device | Status <sup>(1)</sup> | Package Type  | Package Drawing | Pins | Package Qty | Eco Plan <sup>(2)</sup> | Lead/Ball Finish | MSL Peak Temp <sup>(3)</sup>               |
|------------------|-----------------------|---------------|-----------------|------|-------------|-------------------------|------------------|--|
| 5962-9752701Q3A  | ACTIVE                | LCCC          | FK              | 28   | 1           | None                    | Call TI          | Level-NC-NC-NC                             |
| 5962-9752701QKA  | ACTIVE                | CFP           | W               | 24   | 1           | None                    | Call TI          | Level-NC-NC-NC                             |
| 5962-9752701QLA  | ACTIVE                | CDIP          | JT              | 24   | 1           | None                    | Call TI          | Level-NC-NC-NC                             |
| SN74CBTD3384DBLE | OBSOLETE              | SSOP          | DB              | 24   |             | None                    | Call TI          | Call TI                                    |
| SN74CBTD3384DBQR | ACTIVE                | SSOP/<br>QSOP | DBQ             | 24   | 2500        | Pb-Free<br>(RoHS)       | CU NIPDAU        | Level-2-260C-1 YEAR/<br>Level-1-235C-UNLIM |
| SN74CBTD3384DBR  | ACTIVE                | SSOP          | DB              | 24   | 2000        | Pb-Free<br>(RoHS)       | CU NIPDAU        | Level-2-260C-1 YEAR/<br>Level-1-235C-UNLIM |
| SN74CBTD3384DGVR | ACTIVE                | TVSOP         | DGV             | 24   | 2000        | Pb-Free<br>(RoHS)       | CU NIPDAU        | Level-1-250C-UNLIM                         |
| SN74CBTD3384DW   | ACTIVE                | SOIC          | DW              | 24   | 25          | Pb-Free<br>(RoHS)       | CU NIPDAU        | Level-2-250C-1 YEAR/<br>Level-1-235C-UNLIM |
| SN74CBTD3384DWR  | ACTIVE                | SOIC          | DW              | 24   | 2000        | Pb-Free<br>(RoHS)       | CU NIPDAU        | Level-2-250C-1 YEAR/<br>Level-1-235C-UNLIM |
| SN74CBTD3384PW   | ACTIVE                | TSSOP         | PW              | 24   | 60          | Pb-Free<br>(RoHS)       | CU NIPDAU        | Level-1-250C-UNLIM                         |
| SN74CBTD3384PWLE | OBSOLETE              | TSSOP         | PW              | 24   |             | None                    | Call TI          | Call TI                                    |
| SN74CBTD3384PWR  | ACTIVE                | TSSOP         | PW              | 24   | 2000        | Pb-Free<br>(RoHS)       | CU NIPDAU        | Level-1-250C-UNLIM                         |
| SNJ54CBTD3384FK  | ACTIVE                | LCCC          | FK              | 28   | 1           | None                    | Call TI          | Level-NC-NC-NC                             |
| SNJ54CBTD3384JT  | ACTIVE                | CDIP          | JT              | 24   | 1           | None                    | Call TI          | Level-NC-NC-NC                             |
| SNJ54CBTD3384W   | ACTIVE                | CFP           | W               | 24   | 1           | None                    | Call TI          | Level-NC-NC-NC                             |

<sup>(1)</sup> The marketing status values are defined as follows:

**ACTIVE:** Product device recommended for new designs.

**LIFEBUY:** TI has announced that the device will be discontinued, and a lifetime-buy period is in effect.

**NRND:** Not recommended for new designs. Device is in production to support existing customers, but TI does not recommend using this part in a new design.

**PREVIEW:** Device has been announced but is not in production. Samples may or may not be available.

**OBSOLETE:** TI has discontinued the production of the device.

<sup>(2)</sup> Eco Plan - May not be currently available - please check <http://www.ti.com/productcontent> for the latest availability information and additional product content details.

**None:** Not yet available Lead (Pb-Free).

**Pb-Free (RoHS):** TI's terms "Lead-Free" or "Pb-Free" mean semiconductor products that are compatible with the current RoHS requirements for all 6 substances, including the requirement that lead not exceed 0.1% by weight in homogeneous materials. Where designed to be soldered at high temperatures, TI Pb-Free products are suitable for use in specified lead-free processes.

**Green (RoHS & no Sb/Br):** TI defines "Green" to mean "Pb-Free" and in addition, uses package materials that do not contain halogens, including bromine (Br) or antimony (Sb) above 0.1% of total product weight.

<sup>(3)</sup> MSL, Peak Temp. -- The Moisture Sensitivity Level rating according to the JEDEC industry standard classifications, and peak solder temperature.

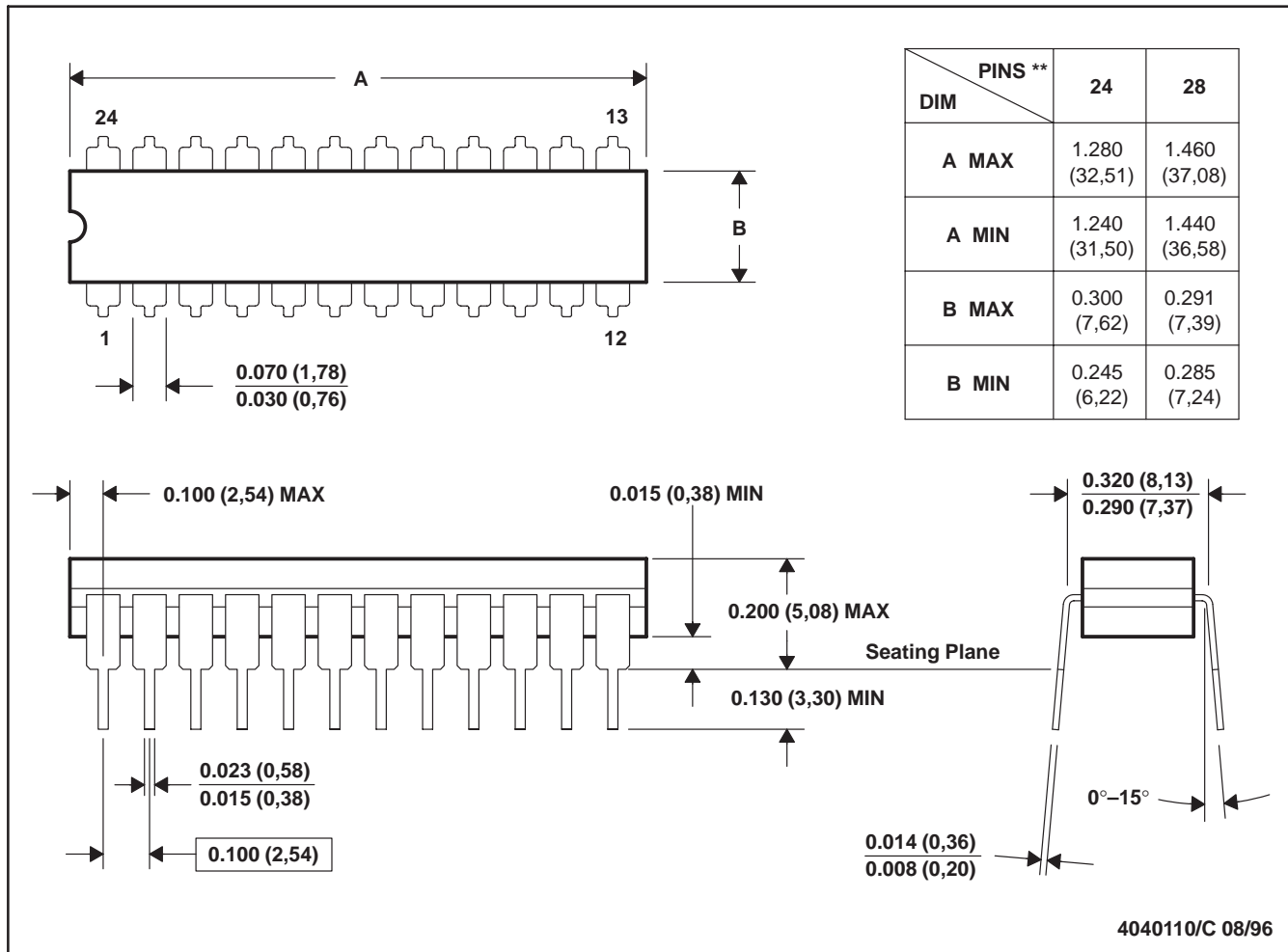
**Important Information and Disclaimer:** The information provided on this page represents TI's knowledge and belief as of the date that it is provided. TI bases its knowledge and belief on information provided by third parties, and makes no representation or warranty as to the accuracy of such information. Efforts are underway to better integrate information from third parties. TI has taken and continues to take reasonable steps to provide representative and accurate information but may not have conducted destructive testing or chemical analysis on incoming materials and chemicals. TI and TI suppliers consider certain information to be proprietary, and thus CAS numbers and other limited information may not be available for release.

In no event shall TI's liability arising out of such information exceed the total purchase price of the TI part(s) at issue in this document sold by TI to Customer on an annual basis.

JT (R-GDIP-T\*\*)

CERAMIC DUAL-IN-LINE

24 LEADS SHOWN



- NOTES: A. All linear dimensions are in inches (millimeters).  
 B. This drawing is subject to change without notice.  
 C. This package can be hermetically sealed with a ceramic lid using glass frit.  
 D. Index point is provided on cap for terminal identification.  
 E. Falls within MIL STD 1835 GDIP3-T24, GDIP4-T28, and JEDEC MO-058 AA, MO-058 AB



FK (S-CQCC-N\*\*)

LEADLESS CERAMIC CHIP CARRIER

28 TERMINAL SHOWN



- NOTES:
- A. All linear dimensions are in inches (millimeters).
  - B. This drawing is subject to change without notice.
  - C. This package can be hermetically sealed with a metal lid.
  - D. The terminals are gold plated.
  - E. Falls within JEDEC MS-004

DGV (R-PDSO-G\*\*)

PLASTIC SMALL-OUTLINE

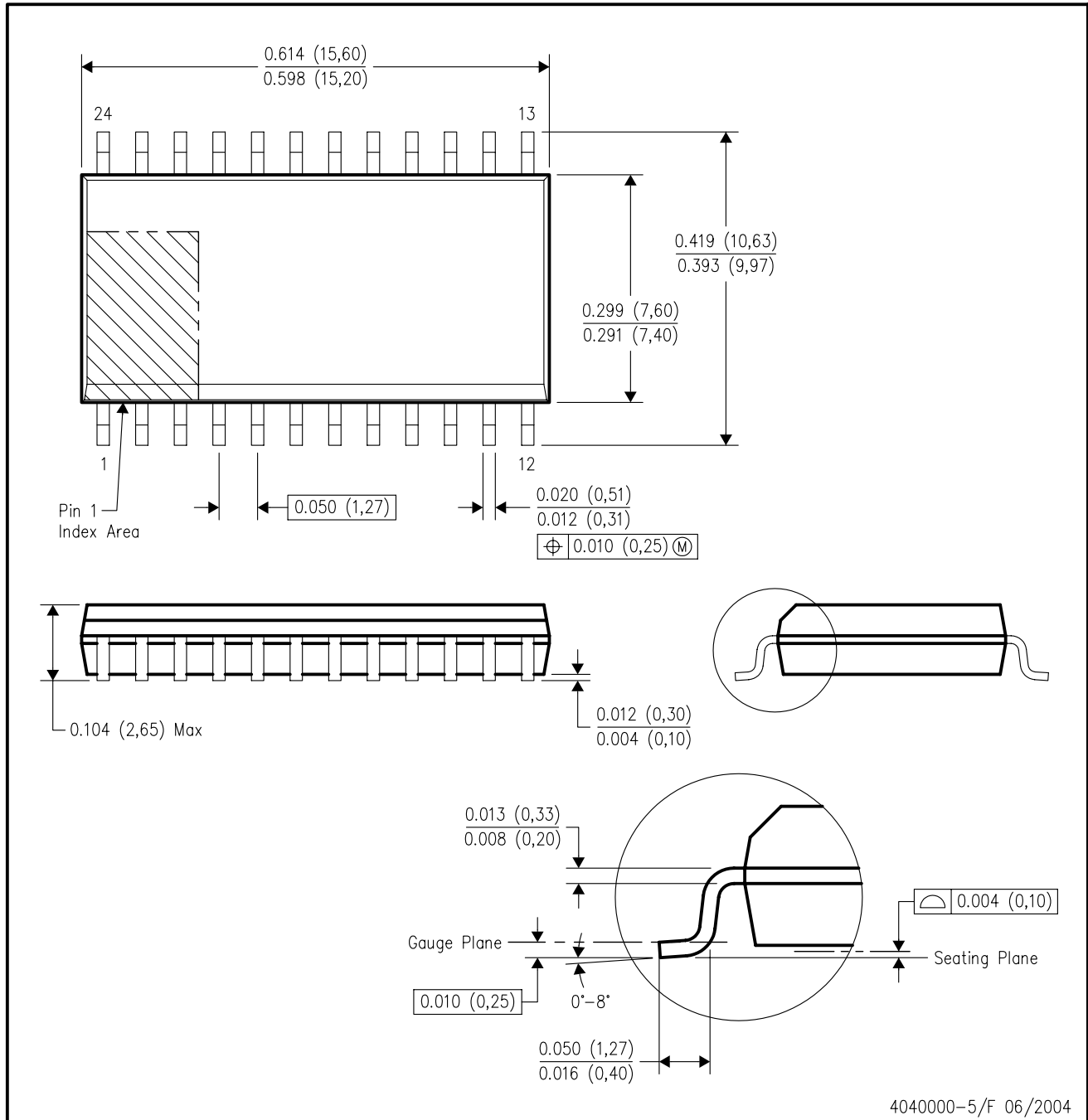
24 PINS SHOWN



- NOTES: A. All linear dimensions are in millimeters.  
 B. This drawing is subject to change without notice.  
 C. Body dimensions do not include mold flash or protrusion, not to exceed 0,15 per side.  
 D. Falls within JEDEC: 24/48 Pins – MO-153  
 14/16/20/56 Pins – MO-194

DW (R-PDSO-G24)

PLASTIC SMALL-OUTLINE PACKAGE



- NOTES:
- A. All linear dimensions are in inches (millimeters).
  - B. This drawing is subject to change without notice.
  - C. Body dimensions do not include mold flash or protrusion not to exceed 0.006 (0,15).
  - D. Falls within JEDEC MS-013 variation AD.



DB (R-PDSO-G\*\*)

PLASTIC SMALL-OUTLINE

28 PINS SHOWN



- NOTES: A. All linear dimensions are in millimeters.  
 B. This drawing is subject to change without notice.  
 C. Body dimensions do not include mold flash or protrusion not to exceed 0,15.  
 D. Falls within JEDEC MO-150

PW (R-PDSO-G\*\*)

PLASTIC SMALL-OUTLINE PACKAGE

14 PINS SHOWN



4040064/F 01/97

- NOTES: A. All linear dimensions are in millimeters.  
 B. This drawing is subject to change without notice.  
 C. Body dimensions do not include mold flash or protrusion not to exceed 0,15.  
 D. Falls within JEDEC MO-153

## IMPORTANT NOTICE

Texas Instruments Incorporated and its subsidiaries (TI) reserve the right to make corrections, modifications, enhancements, improvements, and other changes to its products and services at any time and to discontinue any product or service without notice. Customers should obtain the latest relevant information before placing orders and should verify that such information is current and complete. All products are sold subject to TI's terms and conditions of sale supplied at the time of order acknowledgment.

TI warrants performance of its hardware products to the specifications applicable at the time of sale in accordance with TI's standard warranty. Testing and other quality control techniques are used to the extent TI deems necessary to support this warranty. Except where mandated by government requirements, testing of all parameters of each product is not necessarily performed.

TI assumes no liability for applications assistance or customer product design. Customers are responsible for their products and applications using TI components. To minimize the risks associated with customer products and applications, customers should provide adequate design and operating safeguards.

TI does not warrant or represent that any license, either express or implied, is granted under any TI patent right, copyright, mask work right, or other TI intellectual property right relating to any combination, machine, or process in which TI products or services are used. Information published by TI regarding third-party products or services does not constitute a license from TI to use such products or services or a warranty or endorsement thereof. Use of such information may require a license from a third party under the patents or other intellectual property of the third party, or a license from TI under the patents or other intellectual property of TI.

Reproduction of information in TI data books or data sheets is permissible only if reproduction is without alteration and is accompanied by all associated warranties, conditions, limitations, and notices. Reproduction of this information with alteration is an unfair and deceptive business practice. TI is not responsible or liable for such altered documentation.

Resale of TI products or services with statements different from or beyond the parameters stated by TI for that product or service voids all express and any implied warranties for the associated TI product or service and is an unfair and deceptive business practice. TI is not responsible or liable for any such statements.

Following are URLs where you can obtain information on other Texas Instruments products and application solutions:

| <b>Products</b>  |  | <b>Applications</b> |  |
|------------------|--|---------------------|--|
| Amplifiers       | <a href="http://amplifier.ti.com">amplifier.ti.com</a>             | Audio               | <a href="http://www.ti.com/audio">www.ti.com/audio</a>                   |
| Data Converters  | <a href="http://dataconverter.ti.com">dataconverter.ti.com</a>     | Automotive          | <a href="http://www.ti.com/automotive">www.ti.com/automotive</a>         |
| DSP              | <a href="http://dsp.ti.com">dsp.ti.com</a>                         | Broadband           | <a href="http://www.ti.com/broadband">www.ti.com/broadband</a>           |
| Interface        | <a href="http://interface.ti.com">interface.ti.com</a>             | Digital Control     | <a href="http://www.ti.com/digitalcontrol">www.ti.com/digitalcontrol</a> |
| Logic            | <a href="http://logic.ti.com">logic.ti.com</a>                     | Military            | <a href="http://www.ti.com/military">www.ti.com/military</a>             |
| Power Mgmt       | <a href="http://power.ti.com">power.ti.com</a>                     | Optical Networking  | <a href="http://www.ti.com/opticalnetwork">www.ti.com/opticalnetwork</a> |
| Microcontrollers | <a href="http://microcontroller.ti.com">microcontroller.ti.com</a> | Security            | <a href="http://www.ti.com/security">www.ti.com/security</a>             |
|                  |  | Telephony           | <a href="http://www.ti.com/telephony">www.ti.com/telephony</a>           |
|                  |  | Video & Imaging     | <a href="http://www.ti.com/video">www.ti.com/video</a>                   |
|                  |  | Wireless            | <a href="http://www.ti.com/wireless">www.ti.com/wireless</a>             |

Mailing Address: Texas Instruments  
Post Office Box 655303 Dallas, Texas 75265