

SN5490A, SN5492A, SN5493A, SN54LS90, SN54LS92, SN54LS93  
 SN7490A, SN7492A, SN7493A, SN74LS90, SN74LS92, SN74LS93  
 DECADE, DIVIDE-BY-TWELVE AND BINARY COUNTERS

SDLS940A – MARCH 1974 – REVISED MARCH 1988

'90A, 'LS90 . . . Decade Counters

'92A, 'LS92 . . . Divide By-Twelve Counters

'93A, 'LS93 . . . 4-Bit Binary Counters

TYPES	TYPICAL POWER DISSIPATION
'90A	145 mW
'92A, '93A	130 mW
'LS90, 'LS92, 'LS93	45 mW

**description**

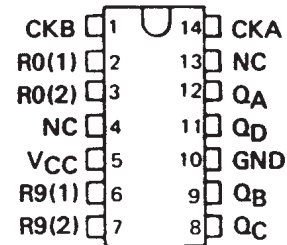
Each of these monolithic counters contains four master-slave flip-flops and additional gating to provide a divide-by-two counter and a three-stage binary counter for which the count cycle length is divide-by-five for the '90A and 'LS90, divide-by-six for the '92A and 'LS92, and the divide-by-eight for the '93A and 'LS93.

All of these counters have a gated zero reset and the '90A and 'LS90 also have gated set-to-nine inputs for use in BCD nine's complement applications.

To use their maximum count length (decade, divide-by-twelve, or four-bit binary) of these counters, the CKB input is connected to the Q<sub>A</sub> output. The input count pulses are applied to CKA input and the outputs are as described in the appropriate function table. A symmetrical divide-by-ten count can be obtained from the '90A or 'LS90 counters by connecting the Q<sub>D</sub> output to the CKA input and applying the input count to the CKB input which gives a divide-by-ten square wave at output Q<sub>A</sub>.

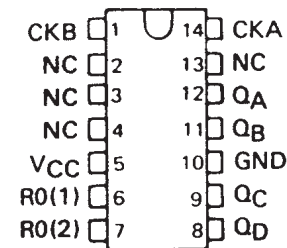
SN5490A, SN54LS90 . . . J OR W PACKAGE  
 SN7490A . . . N PACKAGE  
 SN74LS90 . . . D OR N PACKAGE

(TOP VIEW)



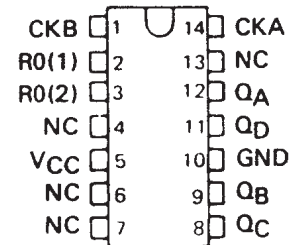
SN5492A, SN54LS92 . . . J OR W PACKAGE  
 SN7492A . . . N PACKAGE  
 SN74LS92 . . . D OR N PACKAGE

(TOP VIEW)



SN5493A, SN54LS93 . . . J OR W PACKAGE  
 SN7493 . . . N PACKAGE  
 SN74LS93 . . . D OR N PACKAGE

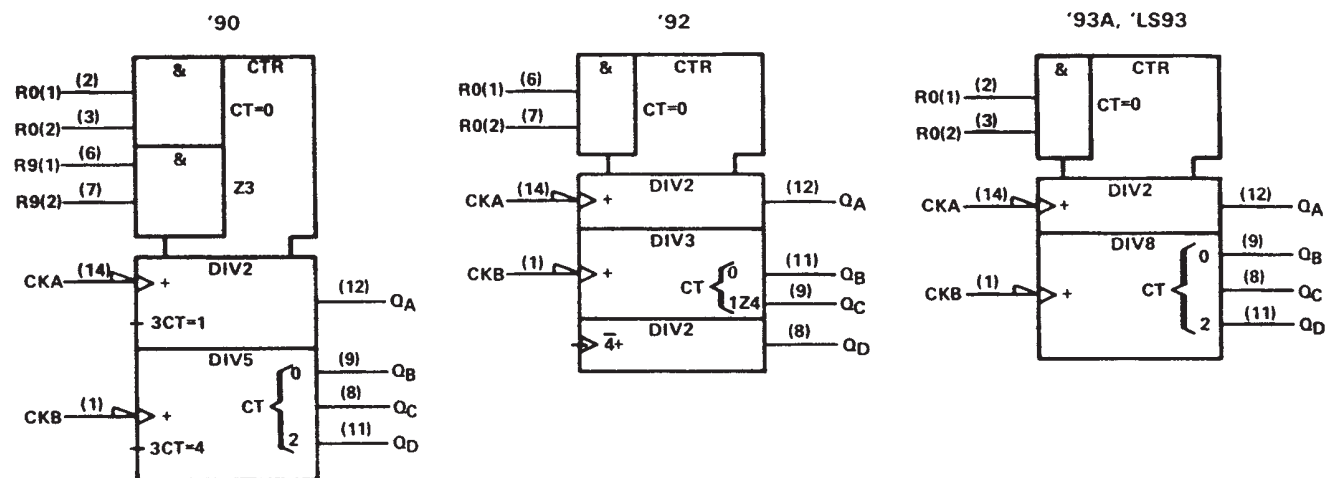
(TOP VIEW)



SN5490A, SN5492A, SN5493A, SN54LS90, SN54LS92, SN54LS93  
 SN7490A, SN7492A, SN7493A, SN74LS90, SN74LS92, SN74LS93  
 DECADE, DIVIDE-BY-TWELVE AND BINARY COUNTERS

SDLS940A – MARCH 1974 – REVISED MARCH 1988

logic symbols†



†These symbols are in accordance with ANSI/IEEE Std. 91-1984 and IEC Publication 617-12.



SN5490A, SN5492A, SN5493A, SN54LS90, SN54LS92, SN54LS93  
 SN7490A, SN7492A, SN7493A, SN74LS90, SN74LS92, SN74LS93  
 DECADE, DIVIDE-BY-TWELVE AND BINARY COUNTERS

SDLS940A - MARCH 1974 - REVISED MARCH 1988

'90A, 'LS90  
 BCD COUNT SEQUENCE  
 (See Note A)

COUNT	OUTPUT			
	Q <sub>D</sub>	Q <sub>C</sub>	Q <sub>B</sub>	Q <sub>A</sub>
0	L	L	L	L
1	L	L	L	H
2	L	L	H	L
3	L	L	H	H
4	L	H	L	L
5	L	H	L	H
6	L	H	H	L
7	L	H	H	H
8	H	L	L	L
9	H	L	L	H

'90A, 'LS90  
 BI-QUINARY (5-2)  
 (See Note B)

COUNT	OUTPUT			
	Q <sub>A</sub>	Q <sub>D</sub>	Q <sub>C</sub>	Q <sub>B</sub>
0	L	L	L	L
1	L	L	L	H
2	L	L	H	L
3	L	L	H	H
4	L	H	L	L
5	H	L	L	L
6	H	L	L	H
7	H	L	H	L
8	H	L	H	H
9	H	H	L	L

'92A, 'LS92  
 COUNT SEQUENCE  
 (See Note C)

COUNT	OUTPUT			
	Q <sub>D</sub>	Q <sub>C</sub>	Q <sub>B</sub>	Q <sub>A</sub>
0	L	L	L	L
1	L	L	L	H
2	L	L	H	L
3	L	L	H	H
4	L	H	L	L
5	L	H	L	H
6	H	L	L	L
7	H	L	L	H
8	H	L	H	L
9	H	L	H	H
10	H	H	L	L
11	H	H	L	H

'90A, 'LS90  
 RESET/COUNT FUNCTION TABLE

RESET INPUTS				OUTPUT			
R <sub>0</sub> (1)	R <sub>0</sub> (2)	R <sub>9</sub> (1)	R <sub>9</sub> (2)	Q <sub>D</sub>	Q <sub>C</sub>	Q <sub>B</sub>	Q <sub>A</sub>
H	H	L	X	L	L	L	L
H	H	X	L	L	L	L	L
X	X	H	H	H	L	L	H
X	L	X	L	COUNT			
L	X	L	X	COUNT			
L	X	X	L	COUNT			
X	L	L	X	COUNT			

'93A, 'LS93  
 COUNT SEQUENCE  
 (See Note C)

COUNT	OUTPUT			
	Q <sub>D</sub>	Q <sub>C</sub>	Q <sub>B</sub>	Q <sub>A</sub>
0	L	L	L	L
1	L	L	L	H
2	L	L	H	L
3	L	L	H	H
4	L	H	L	L
5	L	H	L	H
6	L	H	H	L
7	L	H	H	H
8	H	L	L	L
9	H	L	L	H
10	H	L	H	L
11	H	L	H	H
12	H	H	L	L
13	H	H	L	H
14	H	H	H	L
15	H	H	H	H

'92A, 'LS92, '93A, 'LS93  
 RESET/COUNT FUNCTION TABLE

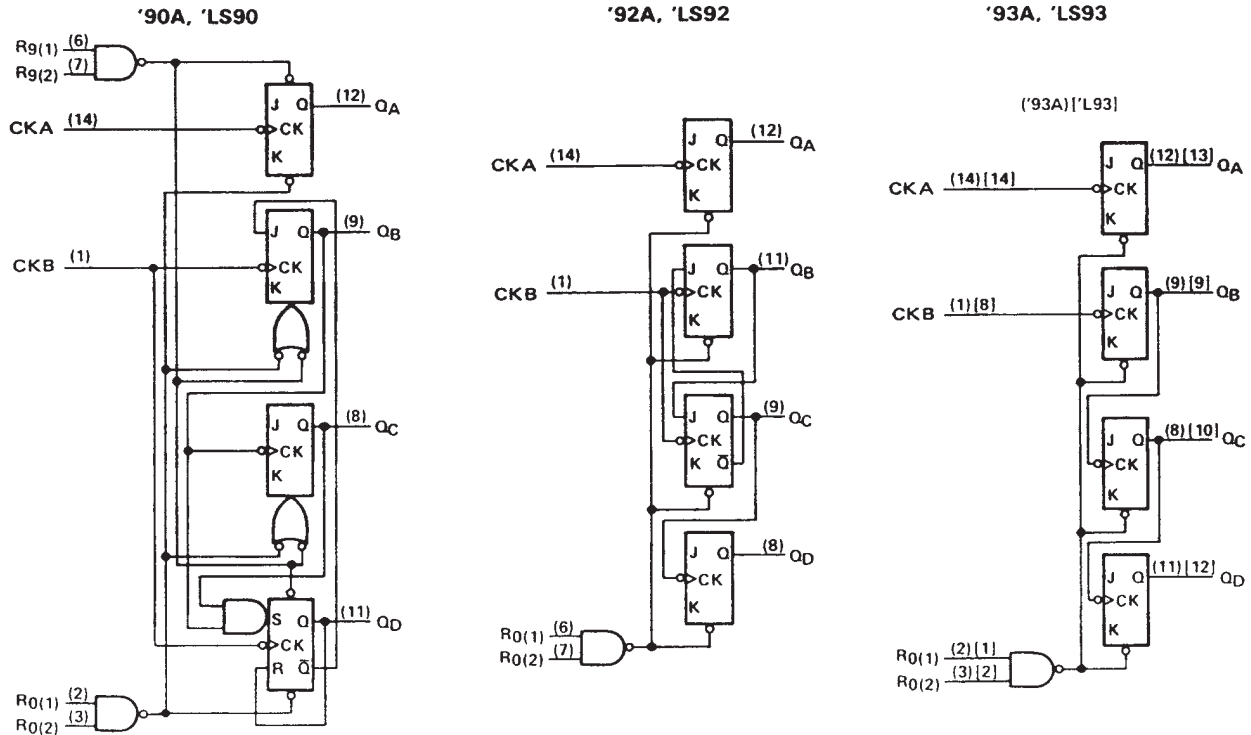
RESET INPUTS		OUTPUT			
R <sub>0</sub> (1)	R <sub>0</sub> (2)	Q <sub>D</sub>	Q <sub>C</sub>	Q <sub>B</sub>	Q <sub>A</sub>
H	H	L	L	L	L
L	X	COUNT			
X	L	COUNT			

- NOTES: A. Output Q<sub>A</sub> is connected to input CKB for BCD count.  
 B. Output Q<sub>D</sub> is connected to input CKA for bi-quinary count.  
 C. Output Q<sub>A</sub> is connected to input CKB.  
 D. H = high level, L = low level, X = irrelevant

# SN5490A, SN5492A, SN5493A, SN54LS90, SN54LS92, SN54LS93 SN7490A, SN7492A, SN7493A, SN74LS90, SN74LS92, SN74LS93 DECADE, DIVIDE-BY-TWELVE AND BINARY COUNTERS

SDLS940A – MARCH 1974 – REVISED MARCH 1988

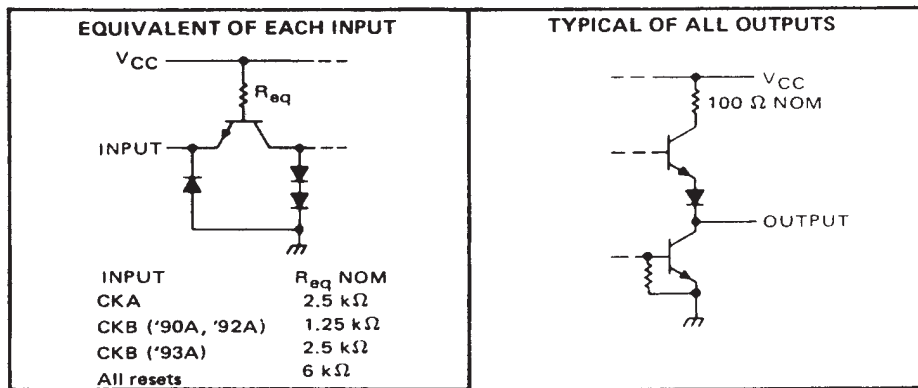
## logic diagrams (positive logic)



The J and K inputs shown without connection are for reference only and are functionally at a high level. Pin numbers shown in ( ) are for the 'LS93 and '93A and pin numbers shown in [ ] are for the 54L93.

## schematics of inputs and outputs

'90A, '92A, '93A

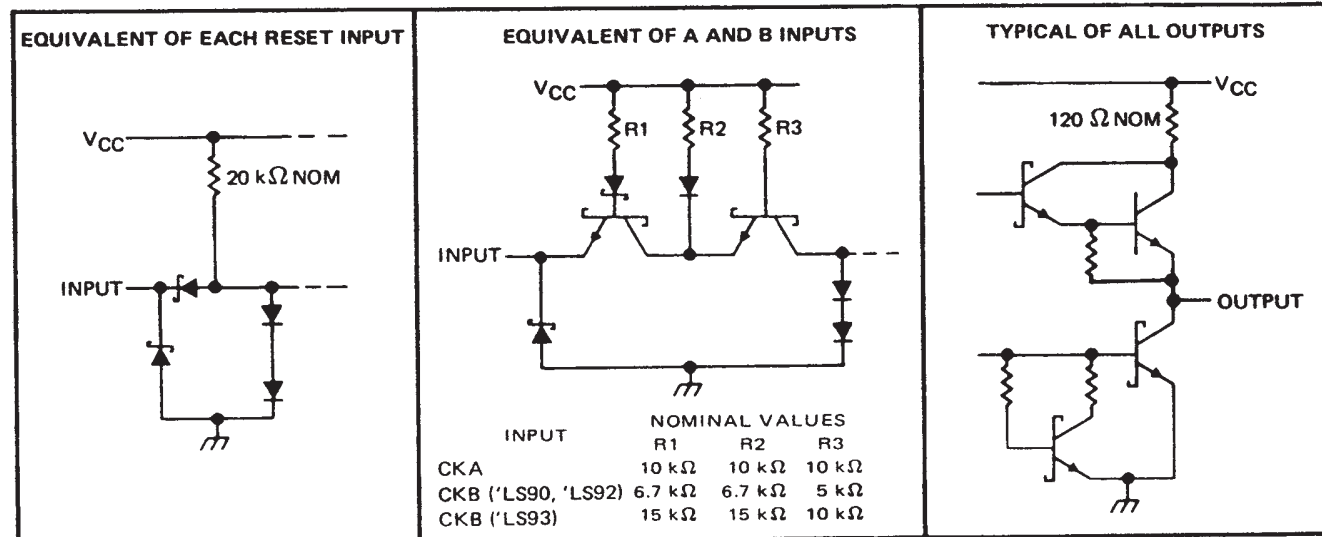


SN5490A, SN5492A, SN5493A, SN54LS90, SN54LS92, SN54LS93  
 SN7490A, SN7492A, SN7493A, SN74LS90, SN74LS92, SN74LS93  
 DECADE, DIVIDE-BY-TWELVE AND BINARY COUNTERS

SDLS940A - MARCH 1974 - REVISED MARCH 1988

schematics of inputs and outputs (continued)

'LS90, 'LS92, 'LS93



**SN5490A, SN5492A, SN5493A, SN54LS90, SN54LS92, SN54LS93  
SN7490A, SN7492A, SN7493A, SN74LS90, SN74LS92, SN74LS93  
DECADE, DIVIDE-BY-TWELVE AND BINARY COUNTERS**

SDLS940A – MARCH 1974 – REVISED MARCH 1988

**absolute maximum ratings over operating free-air temperature range (unless otherwise noted)**

Supply voltage, $V_{CC}$ (see Note 1)	7 V
Input voltage	5.5 V
Interemitter voltage (see Note 2)	5.5 V
Operating free-air temperature range: SN5490A, SN5492A, SN5493A	-55°C to 125°C
SN7490A, SN7492A, SN7493A	0°C to 70°C
Storage temperature range	-65°C to 150°C

NOTES: 1. Voltage values, except interemitter voltage, are with respect to network ground terminal.  
2. This is the voltage between two emitters of a multiple-emitter transistor. For these circuits, this rating applies between the two  $R_0$  inputs, and for the '90A circuit, it also applies between the two  $R_0$  inputs.

**recommended operating conditions**

	SN5490A, SN5492A SN5493A			SN7490A, SN7492A SN7493A			UNIT
	MIN	NOM	MAX	MIN	NOM	MAX	
Supply voltage, $V_{CC}$	4.5	5	5.5	4.75	5	5.25	V
High-level output current, $I_{OH}$			-800			-800	$\mu$ A
Low-level output current, $I_{OL}$			16			16	mA
Count frequency, $f_{count}$ (see Figure 1)	A input	0	32	0	32		MHz
	B input	0	16	0	16		
Pulse width, $t_w$	A input	15		15			ns
	B input	30		30			
	Reset inputs	15		15			
Reset inactive-state setup time, $t_{SU}$		25		25			ns
Operating free-air temperature, $T_A$		-55	125		0	70	°C

**electrical characteristics over recommended operating free-air temperature range (unless otherwise noted)**

PARAMETER <sup>¶</sup>	TEST CONDITIONS <sup>†</sup>	'90A			'92A			'93A			UNIT
		MIN	TYP <sup>‡</sup>	MAX	MIN	TYP <sup>‡</sup>	MAX	MIN	TYP <sup>‡</sup>	MAX	
$V_{IH}$ High-level input voltage		2			2			2			V
$V_{IL}$ Low-level input voltage				0.8			0.8			0.8	V
$V_{IK}$ Input clamp voltage	$V_{CC} = \text{MIN}, I_I = -12 \text{ mA}$			-1.5			-1.5			-1.5	V
$V_{OH}$ High-level output voltage	$V_{CC} = \text{MIN}, V_{IH} = 2 \text{ V}, V_{IL} = 0.8 \text{ V}, I_{OH} = -800 \mu\text{A}$	2.4	3.4		2.4	3.4		2.4	3.4		V
$V_{OL}$ Low-level output voltage	$V_{CC} = \text{MIN}, V_{IH} = 2 \text{ V}, V_{IL} = 0.8 \text{ V}, I_{OL} = 16 \text{ mA}^{\parallel}$		0.2	0.4		0.2	0.4		0.2	0.4	V
$I_I$ Input current at maximum input voltage	$V_{CC} = \text{MAX}, V_I = 5.5 \text{ V}$			1			1			1	mA
$I_{IH}$ High-level input current	Any reset			40			40			40	$\mu$ A
	CKA	$V_{CC} = \text{MAX}, V_I = 2.4 \text{ V}$									
	CKB			80			80			80	
$I_{IL}$ Low-level input current	Any reset			-1.6			-1.6			-1.6	mA
	CKA	$V_{CC} = \text{MAX}, V_I = 0.4 \text{ V}$									
	CKB			-3.2			-3.2			-3.2	
$I_{OS}$ Short-circuit output current <sup>§</sup>	$V_{CC} = \text{MAX}$	SN54'	-20	-57	-20	-57	-20	-57			mA
		SN74'	-18	-57	-18	-57	-18	-57			
$I_{CC}$ Supply current	$V_{CC} = \text{MAX}, \text{ See Note 3}$		29	42		26	39		26	39	mA

<sup>†</sup> For conditions shown as MIN or MAX, use the appropriate value specified under recommended operating conditions.

<sup>‡</sup> All typical values are at  $V_{CC} = 5 \text{ V}, T_A = 25^\circ\text{C}$ .

<sup>§</sup> Not more than one output should be shorted at a time.

<sup>¶</sup> '90A outputs are tested at  $I_{OL} = 16 \text{ mA}$  plus the limit value for  $I_{IL}$  for the CKB input. This permits driving the CKB input while maintaining full fan-out capability.

NOTE 3:  $I_{CC}$  is measured with all outputs open, both  $R_0$  inputs grounded following momentary connection to 4.5 V, and all other inputs grounded.



SN5490A, SN5492A, SN5493A, SN54LS90, SN54LS92, SN54LS93  
 SN7490A, SN7492A, SN7493A, SN74LS90, SN74LS92, SN74LS93  
 DECADE, DIVIDE-BY-TWELVE AND BINARY COUNTERS

SDLS940A - MARCH 1974 - REVISED MARCH 1988

switching characteristics,  $V_{CC} = 5\text{ V}$ ,  $T_A = 25^\circ\text{C}$

PARAMETER†	FROM (INPUT)	TO (OUTPUT)	TEST CONDITIONS	'90A			'92A			'93A			UNIT
				MIN	TYP	MAX	MIN	TYP	MAX	MIN	TYP	MAX	
$f_{\max}$	CKA	$Q_A$	$C_L = 15\text{ pF}$ , $R_L = 400\ \Omega$ , See Figure 1	32	42		32	42		32	42		MHz
	CKB	$Q_B$		16			16			16			
$t_{PLH}$	CKA	$Q_A$		10	16		10	16		10	16		ns
$t_{PHL}$				12	18		12	18		12	18		
$t_{PLH}$	CKA	$Q_D$		32	48		32	48		46	70		ns
$t_{PHL}$				34	50		34	50		46	70		
$t_{PLH}$	CKB	$Q_B$		10	16		10	16		10	16		ns
$t_{PHL}$				14	21		14	21		14	21		
$t_{PLH}$	CKB	$Q_C$		21	32		10	16		21	32		ns
$t_{PHL}$				23	35		14	21		23	35		
$t_{PLH}$	CKB	$Q_D$		21	32		21	32		34	51		ns
$t_{PHL}$				23	35		23	35		34	51		
$t_{PHL}$	Set-to-0	Any		26	40		26	40		26	40		ns
$t_{PLH}$	Set-to-9	$Q_A, Q_D$		20	30								ns
$t_{PHL}$		$Q_B, Q_C$		26	40								

†  $f_{\max}$  = maximum count frequency  
 $t_{PLH}$  = propagation delay time, low-to-high-level output  
 $t_{PHL}$  = propagation delay time, high-to-low-level output



# SN5490A, SN5492A, SN5493A, SN54LS90, SN54LS92, SN54LS93 SN7490A, SN7492A, SN7493A, SN74LS90, SN74LS92, SN74LS93 DECADE, DIVIDE-BY-TWELVE AND BINARY COUNTERS

SDLS940A – MARCH 1974 – REVISED MARCH 1988

## absolute maximum ratings over operating free-air temperature range (unless otherwise noted)

Supply voltage, $V_{CC}$ (see Note 1)	7 V
Input voltage: R inputs	7 V
A and B inputs	5.5 V
Operating free-air temperature range: SN54LS' Circuits	-55°C to 125°C
SN74LS' Circuits	0°C to 70°C
Storage temperature range	-65°C to 150°C

NOTE 1: Voltage values are with respect to network ground terminal.

## recommended operating conditions

		SN54LS90 SN54LS92 SN54LS93			SN74LS90 SN74LS92 SN74LS93			UNIT
		MIN	NOM	MAX	MIN	NOM	MAX	
Supply voltage, $V_{CC}$		4.5	5	5.5	4.75	5	5.25	V
High-level output current, $I_{OH}$				-400			-400	$\mu$ A
Low-level output current, $I_{OL}$				4			8	mA
Count frequency, $f_{count}$ (see Figure 1)	A input	0		32	0		32	MHz
	B input	0		16	0		16	
Pulse width, $t_w$	A input	15			15			ns
	B input	30			30			
	Reset inputs	30			30			
Reset inactive-state setup time, $t_{su}$		25			25			ns
Operating free-air temperature, $T_A$		-55		125	0		70	°C

## electrical characteristics over recommended operating free-air temperature range (unless otherwise noted)

PARAMETER	TEST CONDITIONS†	SN54LS90 SN54LS92			SN74LS90 SN74LS92			UNIT
		MIN	TYP‡	MAX	MIN	TYP‡	MAX	
$V_{IH}$ High-level input voltage		2			2			V
$V_{IL}$ Low-level input voltage				0.7			0.8	V
$V_{IK}$ Input clamp voltage	$V_{CC} = \text{MIN}, I_I = -18 \text{ mA}$			-1.5			-1.5	V
$V_{OH}$ High-level output voltage	$V_{CC} = \text{MIN}, V_{IH} = 2 \text{ V}, V_{IL} = V_{IL \text{ max}}, I_{OH} = -400 \mu\text{A}$	2.5	3.4		2.7	3.4		V
$V_{OL}$ Low-level output voltage	$V_{CC} = \text{MIN}, V_{IH} = 2 \text{ V}, V_{IL} = V_{IL \text{ max}}, I_{OL} = 4 \text{ mA} \parallel$		0.25	0.4		0.25	0.4	V
		$I_{OL} = 8 \text{ mA} \parallel$					0.35	
$I_I$ Input current at maximum input voltage	Any reset			0.1			0.1	mA
	CKA			0.2			0.2	
	CKB			0.4			0.4	
$I_{IH}$ High-level input current	Any reset			20			20	$\mu$ A
	CKA			40			40	
	CKB			80			80	
$I_{IL}$ Low-level input current	Any reset			-0.4			-0.4	mA
	CKA			-2.4			-2.4	
	CKB			-3.2			-3.2	
$I_{OS}$ Short-circuit output current§	$V_{CC} = \text{MAX}$	-20		-100	-20		-100	mA
$I_{CC}$ Supply current	$V_{CC} = \text{MAX},$ See Note 3	'LS90	9	15	9	15		mA
		'LS92	9	15	9	15		

† For conditions shown as MIN or MAX, use the appropriate value specified under recommended operating conditions.

‡ All typical values are at  $V_{CC} = 5 \text{ V}, T_A = 25^\circ\text{C}$ .

§ Not more than one output should be shorted at a time, and duration of the short-circuit should not exceed one second.

¶  $I_{QA}$  outputs are tested at specified  $I_{OL}$  plus the limit value of  $I_{IL}$  for the CKB input. This permits driving the CKB input while maintaining full fan-out capability.

NOTE 3:  $I_{CC}$  is measured with all outputs open, both  $R_0$  inputs grounded following momentary connection to 4.5 V, and all other inputs grounded.





SN5490A, SN5492A, SN5493A, SN54LS90, SN54LS92, SN54LS93  
 SN7490A, SN7492A, SN7493A, SN74LS90, SN74LS92, SN74LS93  
 DECADE, DIVIDE-BY-TWELVE AND BINARY COUNTERS

SDLS940A - MARCH 1974 - REVISED MARCH 1988

electrical characteristics over recommended operating free-air temperature range (unless otherwise noted)

PARAMETER	TEST CONDITIONS†	SN54LS93			SN74LS93			UNIT	
		MIN	TYP‡	MAX	MIN	TYP‡	MAX		
V <sub>IH</sub> High-level input voltage		2			2			V	
V <sub>IL</sub> Low-level input voltage				0.7			0.8	V	
V <sub>IK</sub> Input clamp voltage	V <sub>CC</sub> = MIN, I <sub>I</sub> = -18 mA			-1.5			-1.5	V	
V <sub>OH</sub> High-level output voltage	V <sub>CC</sub> = MIN, V <sub>IH</sub> = 2 V, V <sub>IL</sub> = V <sub>IL</sub> max, I <sub>OH</sub> = -400 μA	2.5	3.4		2.7	3.4		V	
V <sub>OL</sub> Low-level output voltage	V <sub>CC</sub> = MIN, V <sub>IH</sub> = 2 V, V <sub>IL</sub> = V <sub>IL</sub> max	I <sub>OL</sub> = 4 mA¶			0.25	0.4	0.25	0.4	V
		I <sub>OL</sub> = 8 mA¶					0.35	0.5	
I <sub>I</sub> Input current at maximum input voltage	Any reset	V <sub>CC</sub> = MAX, V <sub>I</sub> = 7 V					0.1	mA	
	CKA or CKB	V <sub>CC</sub> = MAX, V <sub>I</sub> = 5.5 V					0.2		
I <sub>IH</sub> High-level input current	Any reset	V <sub>CC</sub> = MAX, V <sub>I</sub> = 2.7 V			20		20	μA	
	CKA or CKB				40		80		
I <sub>IL</sub> Low-level input current	Any reset	V <sub>CC</sub> = MAX, V <sub>I</sub> = 0.4 V			-0.4		-0.4	mA	
	CKA				-2.4		-2.4		
	CKB				-1.6		-1.6		
I <sub>OS</sub> Short-circuit output current §	V <sub>CC</sub> = MAX	-20		-100	-20		-100	mA	
I <sub>CC</sub> Supply current	V <sub>CC</sub> = MAX, See Note 3		9	15		9	15	mA	

† For conditions shown as MIN or MAX, use the appropriate value specified under recommended operating conditions.

‡ All typical values are at V<sub>CC</sub> = 5 V, T<sub>A</sub> = 25°C.

§ Not more than one output should be shorted at a time, and duration of the short-circuit should not exceed one second.

¶ Q<sub>A</sub> outputs are tested at specified I<sub>OL</sub> plus the limit value for I<sub>IL</sub> for the CKB input. This permits driving the CKB input while maintaining full fan-out capability.

NOTE 3: I<sub>CC</sub> is measured with all outputs open, both R<sub>0</sub> inputs grounded following momentary connection to 4.5 V, and all other inputs grounded.

switching characteristics, V<sub>CC</sub> = 5 V, T<sub>A</sub> = 25°C

PARAMETER#	FROM (INPUT)	TO (OUTPUT)	TEST CONDITIONS	'LS90			'LS92			'LS93			UNIT
				MIN	TYP	MAX	MIN	TYP	MAX	MIN	TYP	MAX	
f <sub>max</sub>	CKA	Q <sub>A</sub>	C <sub>L</sub> = 15 pF, R <sub>L</sub> = 2 kΩ See Figure 1	32	42		32	42		32	42		MHz
	CKB	Q <sub>B</sub>		16			16			16			
t <sub>PLH</sub>	CKA	Q <sub>A</sub>		10	16		10	16		10	16		ns
				12	18		12	18		12	18		
t <sub>PLH</sub>	CKA	Q <sub>D</sub>		32	48		32	48		46	70		ns
				34	50		34	50		46	70		
t <sub>PLH</sub>	CKB	Q <sub>B</sub>		10	16		10	16		10	16		ns
				14	21		14	21		14	21		
t <sub>PLH</sub>	CKB	Q <sub>C</sub>		21	32		10	16		21	32		ns
				23	35		14	21		23	35		
t <sub>PLH</sub>	CKB	Q <sub>D</sub>		21	32		21	32		34	51		ns
				23	35		23	35		34	51		
t <sub>PHL</sub>	Set-to-0	Any		26	40		26	40		26	40		ns
t <sub>PLH</sub>	Set-to-9	Q <sub>A</sub> , Q <sub>D</sub>		20	30								ns
		Q <sub>B</sub> , Q <sub>C</sub>		26	40								

#f<sub>max</sub> = maximum count frequency

t<sub>PLH</sub> = propagation delay time, low-to-high-level output

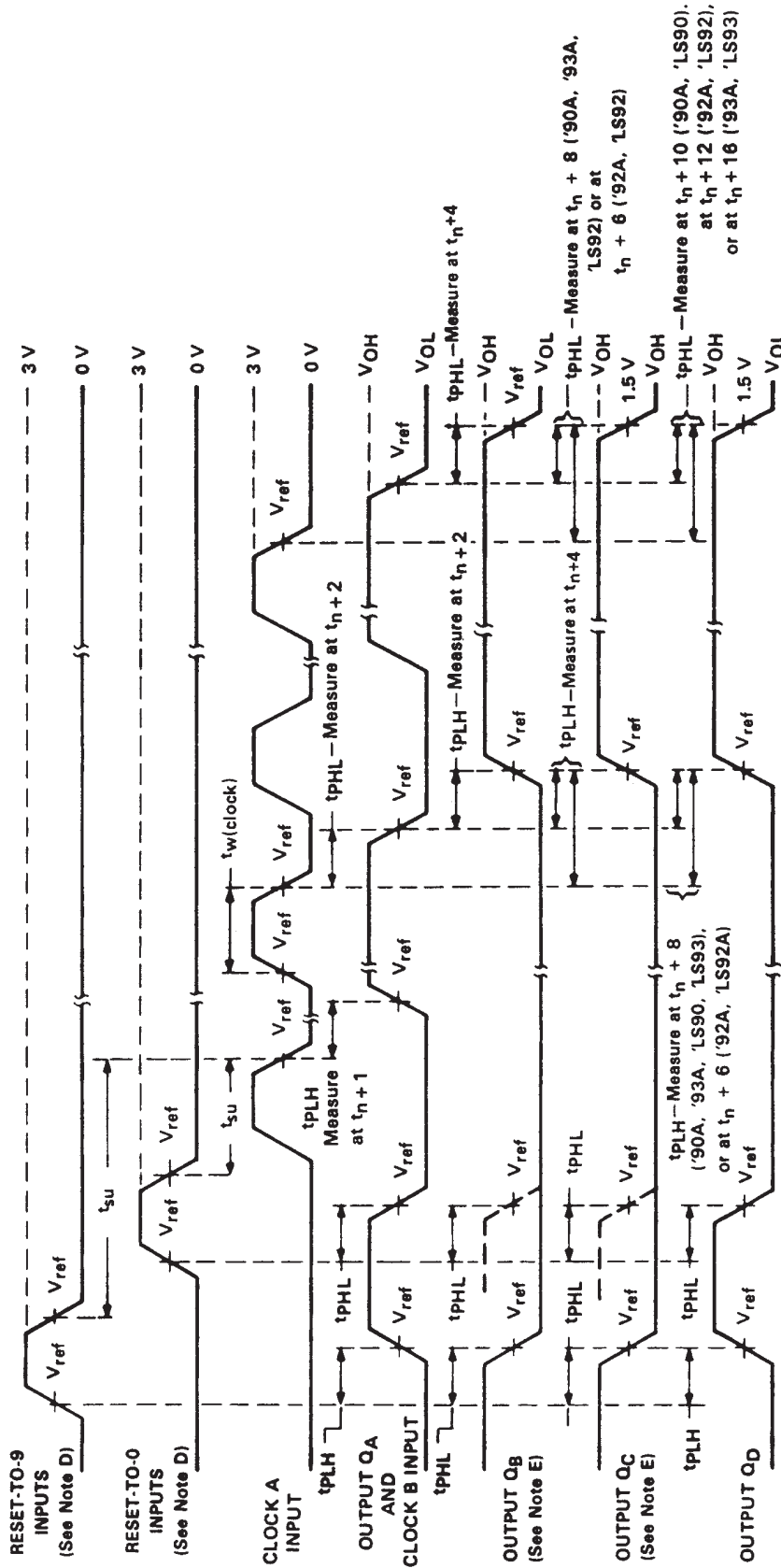
t<sub>PHL</sub> = propagation delay time, high-to-low-level output



SN5490A, SN5492A, SN5493A, SN54LS90, SN54LS92, SN54LS93  
 SN7490A, SN7492A, SN7493A, SN74LS90, SN74LS92, SN74LS93  
 DECADE, DIVIDE-BY-TWELVE AND BINARY COUNTERS

SDLS940A - MARCH 1974 - REVISED MARCH 1988

PARAMETER MEASUREMENT INFORMATION



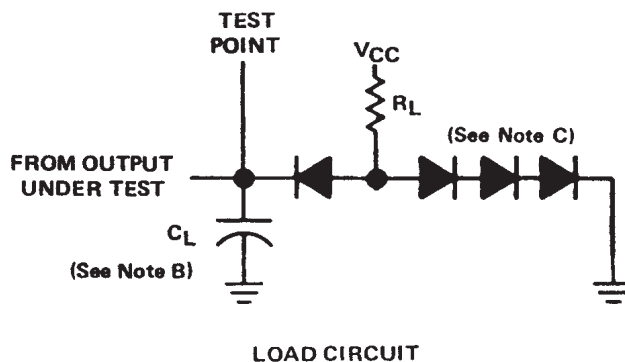
NOTES: A. Input pulses are supplied by a generator having the following characteristics:

- for '90A, '92A, '93A,  $t_r \leq 5$  ns,  $t_f \leq 5$  ns, PRR = 1 MHz, duty cycle = 50%,  $Z_{out} \approx 50$  ohms;
- for 'LS90, 'LS92, 'LS93,  $t_r \leq 15$  ns,  $t_f \leq 5$  ns, PRR = 1 MHz, duty cycle = 50%,  $Z_{out} \approx 50$  ohms.
- B.  $C_L$  includes probe and jig capacitance.
- C. All diodes are 1N3064 or equivalent.
- D. Each reset input is tested separately with the other reset at 4.5 V.
- E. Reference waveforms are shown with dashed lines.
- F. For '90A, '92A, and '93A;  $V_{ref} = 1.5$  V. For 'LS90, 'LS92, and 'LS93;  $V_{ref} = 1.3$  V.

FIGURE 1A



PARAMETER MEASUREMENT INFORMATION



- NOTES: A. Input pulses are supplied by a generator having the following characteristics:  
for '90A, '92A, '93A,  $t_r \leq 5$  ns,  $t_f \leq 5$  ns, PRR = 1 MHz, duty cycle = 50%,  $Z_{out} \approx 50$  ohms;  
for 'LS90, 'LS92, 'LS93,  $t_r \leq 15$  ns,  $t_f \leq 5$  ns, PRR = 1 MHz, duty cycle = 50%,  $Z_{out} \approx 50$  ohms.
- B.  $C_L$  includes probe and jig capacitance.
- C. All diodes are 1N3064 or equivalent.
- D. Each reset input is tested separately with the other reset at 4.5 V.
- E. Reference waveforms are shown with dashed lines.
- F. For '90A, '92A, and '93A;  $V_{ref} = 1.5$  V. For 'LS90, 'LS92, and 'LS93;  $V_{ref} = 1.3$  V.

FIGURE 1B

**PACKAGING INFORMATION**

Orderable Device	Status <sup>(1)</sup>	Package Type	Package Drawing	Pins	Package Qty	Eco Plan <sup>(2)</sup>	Lead/Ball Finish	MSL Peak Temp <sup>(3)</sup>
7603201CA	ACTIVE	CDIP	J	14	1	None	Call TI	Level-NC-NC-NC
7603201DA	ACTIVE	CFP	W	14	1	None	Call TI	Level-NC-NC-NC
7700101CA	ACTIVE	CDIP	J	14	1	None	Call TI	Level-NC-NC-NC
7700101DA	ACTIVE	CFP	W	14	1	None	Call TI	Level-NC-NC-NC
JM38510/31501BCA	ACTIVE	CDIP	J	14	1	None	Call TI	Level-NC-NC-NC
JM38510/31501BDA	ACTIVE	CFP	W	14	1	None	Call TI	Level-NC-NC-NC
JM38510/31502BCA	ACTIVE	CDIP	J	14	1	None	Call TI	Level-NC-NC-NC
JM38510/31502BDA	ACTIVE	CFP	W	14	1	None	Call TI	Level-NC-NC-NC
SN5490AJ	LIFEBUY	CDIP	J	14	1	None	Call TI	Level-NC-NC-NC
SN5492AJ	OBSOLETE	CDIP	J	14		None	Call TI	Call TI
SN54LS90J	ACTIVE	CDIP	J	14	1	None	Call TI	Level-NC-NC-NC
SN54LS93J	ACTIVE	CDIP	J	14	1	None	Call TI	Level-NC-NC-NC
SN7490AN	OBSOLETE	PDIP	N	14		None	Call TI	Call TI
SN7492AN	OBSOLETE	PDIP	N	14		None	Call TI	Call TI
SN7493AN	OBSOLETE	PDIP	N	14		None	Call TI	Call TI
SN74LS90D	ACTIVE	SOIC	D	14	50	Pb-Free (RoHS)	CU NIPDAU	Level-2-260C-1 YEAR/ Level-1-235C-UNLIM
SN74LS90DR	ACTIVE	SOIC	D	14	2500	Pb-Free (RoHS)	CU NIPDAU	Level-2-260C-1 YEAR/ Level-1-235C-UNLIM
SN74LS90N	ACTIVE	PDIP	N	14	25	Pb-Free (RoHS)	CU NIPDAU	Level-NC-NC-NC
SN74LS92D	ACTIVE	SOIC	D	14	50	Pb-Free (RoHS)	CU NIPDAU	Level-2-260C-1 YEAR/ Level-1-235C-UNLIM
SN74LS92DR	ACTIVE	SOIC	D	14	2500	Pb-Free (RoHS)	CU NIPDAU	Level-2-260C-1 YEAR/ Level-1-235C-UNLIM
SN74LS92N	ACTIVE	PDIP	N	14	25	Pb-Free (RoHS)	CU NIPDAU	Level-NC-NC-NC
SN74LS92N3	OBSOLETE	PDIP	N	14		None	Call TI	Call TI
SN74LS92NSR	ACTIVE	SO	NS	14	2000	Pb-Free (RoHS)	CU NIPDAU	Level-2-260C-1 YEAR/ Level-1-235C-UNLIM
SN74LS93D	ACTIVE	SOIC	D	14	50	Pb-Free (RoHS)	CU NIPDAU	Level-2-260C-1 YEAR/ Level-1-235C-UNLIM
SN74LS93DR	ACTIVE	SOIC	D	14	2500	Pb-Free (RoHS)	CU NIPDAU	Level-2-260C-1 YEAR/ Level-1-235C-UNLIM
SN74LS93N	ACTIVE	PDIP	N	14	25	Pb-Free (RoHS)	CU NIPDAU	Level-NC-NC-NC
SN74LS93N3	OBSOLETE	PDIP	N	14		None	Call TI	Call TI
SN74LS93NSR	ACTIVE	SO	NS	14	2000	Pb-Free (RoHS)	CU NIPDAU	Level-2-260C-1 YEAR/ Level-1-235C-UNLIM
SNJ5490AJ	LIFEBUY	CDIP	J	14	1	None	Call TI	Level-NC-NC-NC
SNJ5490AW	LIFEBUY	CFP	W	14	1	None	Call TI	Level-NC-NC-NC
SNJ5492AJ	OBSOLETE	CDIP	J	14		None	Call TI	Call TI
SNJ5492AW	OBSOLETE	CFP	W	14		None	Call TI	Call TI
SNJ54LS90J	ACTIVE	CDIP	J	14	1	None	Call TI	Level-NC-NC-NC
SNJ54LS90W	ACTIVE	CFP	W	14	1	None	Call TI	Level-NC-NC-NC

Orderable Device	Status <sup>(1)</sup>	Package Type	Package Drawing	Pins	Package Qty	Eco Plan <sup>(2)</sup>	Lead/Ball Finish	MSL Peak Temp <sup>(3)</sup>
SNJ54LS93J	ACTIVE	CDIP	J	14	1	None	Call TI	Level-NC-NC-NC
SNJ54LS93W	ACTIVE	CFP	W	14	1	None	Call TI	Level-NC-NC-NC

<sup>(1)</sup> The marketing status values are defined as follows:

**ACTIVE:** Product device recommended for new designs.

**LIFEBUY:** TI has announced that the device will be discontinued, and a lifetime-buy period is in effect.

**NRND:** Not recommended for new designs. Device is in production to support existing customers, but TI does not recommend using this part in a new design.

**PREVIEW:** Device has been announced but is not in production. Samples may or may not be available.

**OBSELETE:** TI has discontinued the production of the device.

<sup>(2)</sup> Eco Plan - May not be currently available - please check <http://www.ti.com/productcontent> for the latest availability information and additional product content details.

**None:** Not yet available Lead (Pb-Free).

**Pb-Free (RoHS):** TI's terms "Lead-Free" or "Pb-Free" mean semiconductor products that are compatible with the current RoHS requirements for all 6 substances, including the requirement that lead not exceed 0.1% by weight in homogeneous materials. Where designed to be soldered at high temperatures, TI Pb-Free products are suitable for use in specified lead-free processes.

**Green (RoHS & no Sb/Br):** TI defines "Green" to mean "Pb-Free" and in addition, uses package materials that do not contain halogens, including bromine (Br) or antimony (Sb) above 0.1% of total product weight.

<sup>(3)</sup> MSL, Peak Temp. -- The Moisture Sensitivity Level rating according to the JEDEC industry standard classifications, and peak solder temperature.

**Important Information and Disclaimer:**The information provided on this page represents TI's knowledge and belief as of the date that it is provided. TI bases its knowledge and belief on information provided by third parties, and makes no representation or warranty as to the accuracy of such information. Efforts are underway to better integrate information from third parties. TI has taken and continues to take reasonable steps to provide representative and accurate information but may not have conducted destructive testing or chemical analysis on incoming materials and chemicals. TI and TI suppliers consider certain information to be proprietary, and thus CAS numbers and other limited information may not be available for release.

In no event shall TI's liability arising out of such information exceed the total purchase price of the TI part(s) at issue in this document sold by TI to Customer on an annual basis.

## IMPORTANT NOTICE

Texas Instruments Incorporated and its subsidiaries (TI) reserve the right to make corrections, modifications, enhancements, improvements, and other changes to its products and services at any time and to discontinue any product or service without notice. Customers should obtain the latest relevant information before placing orders and should verify that such information is current and complete. All products are sold subject to TI's terms and conditions of sale supplied at the time of order acknowledgment.

TI warrants performance of its hardware products to the specifications applicable at the time of sale in accordance with TI's standard warranty. Testing and other quality control techniques are used to the extent TI deems necessary to support this warranty. Except where mandated by government requirements, testing of all parameters of each product is not necessarily performed.

TI assumes no liability for applications assistance or customer product design. Customers are responsible for their products and applications using TI components. To minimize the risks associated with customer products and applications, customers should provide adequate design and operating safeguards.

TI does not warrant or represent that any license, either express or implied, is granted under any TI patent right, copyright, mask work right, or other TI intellectual property right relating to any combination, machine, or process in which TI products or services are used. Information published by TI regarding third-party products or services does not constitute a license from TI to use such products or services or a warranty or endorsement thereof. Use of such information may require a license from a third party under the patents or other intellectual property of the third party, or a license from TI under the patents or other intellectual property of TI.

Reproduction of information in TI data books or data sheets is permissible only if reproduction is without alteration and is accompanied by all associated warranties, conditions, limitations, and notices. Reproduction of this information with alteration is an unfair and deceptive business practice. TI is not responsible or liable for such altered documentation.

Resale of TI products or services with statements different from or beyond the parameters stated by TI for that product or service voids all express and any implied warranties for the associated TI product or service and is an unfair and deceptive business practice. TI is not responsible or liable for any such statements.

Following are URLs where you can obtain information on other Texas Instruments products and application solutions:

<b>Products</b>		<b>Applications</b>	
Amplifiers	<a href="http://amplifier.ti.com">amplifier.ti.com</a>	Audio	<a href="http://www.ti.com/audio">www.ti.com/audio</a>
Data Converters	<a href="http://dataconverter.ti.com">dataconverter.ti.com</a>	Automotive	<a href="http://www.ti.com/automotive">www.ti.com/automotive</a>
DSP	<a href="http://dsp.ti.com">dsp.ti.com</a>	Broadband	<a href="http://www.ti.com/broadband">www.ti.com/broadband</a>
Interface	<a href="http://interface.ti.com">interface.ti.com</a>	Digital Control	<a href="http://www.ti.com/digitalcontrol">www.ti.com/digitalcontrol</a>
Logic	<a href="http://logic.ti.com">logic.ti.com</a>	Military	<a href="http://www.ti.com/military">www.ti.com/military</a>
Power Mgmt	<a href="http://power.ti.com">power.ti.com</a>	Optical Networking	<a href="http://www.ti.com/opticalnetwork">www.ti.com/opticalnetwork</a>
Microcontrollers	<a href="http://microcontroller.ti.com">microcontroller.ti.com</a>	Security	<a href="http://www.ti.com/security">www.ti.com/security</a>
		Telephony	<a href="http://www.ti.com/telephony">www.ti.com/telephony</a>
		Video & Imaging	<a href="http://www.ti.com/video">www.ti.com/video</a>
		Wireless	<a href="http://www.ti.com/wireless">www.ti.com/wireless</a>

Mailing Address: Texas Instruments  
Post Office Box 655303 Dallas, Texas 75265