

## High-Speed CMOS Logic Analog Multiplexers/Demultiplexers with Latch

### Features

- Wide Analog Input Voltage Range . . . . .  $\pm 5V$  (Max)
- Low "On" Resistance
  - $V_{CC} - V_{EE} = 4.5V$  . . . . .  $70\Omega$  (Typ)
  - $V_{CC} - V_{EE} = 9V$  . . . . .  $40\Omega$  (Typ)
- Low Crosstalk Between Switches
- Fast Switching and Propagation Speeds
- "Break-Before-Make" Switching
- Wide Operating Temperature Range . . .  $-55^{\circ}C$  to  $125^{\circ}C$
- HC Types
  - 2V to 6V Operation, Control; 0V to 10V Switch
  - High Noise Immunity:  $N_{IL} = 30\%$ ,  $N_{IH} = 30\%$  of  $V_{CC}$  at  $V_{CC} = 5V$
- HCT Types
  - 4.5V to 5.5V Operation, Control; 0V to 10V Switch
  - Direct LSTTL Input Logic Compatibility,  $V_{IL} = 0.8V$  (Max),  $V_{IH} = 2V$  (Min)
  - CMOS Input Compatibility,  $I_I \leq 1\mu A$  at  $V_{OL}$ ,  $V_{OH}$

### Description

The 'HC4351, CD74HCT4351, and CD74HC4352 are digitally controlled analog switches which utilize silicon-gate

CMOS technology to achieve operating speeds similar to LSTTL with the low power consumption of standard CMOS integrated circuits.

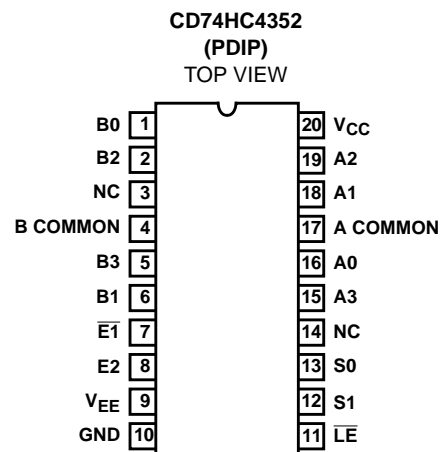
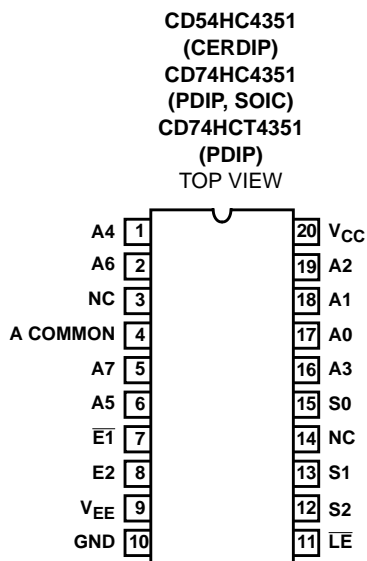
These analog multiplexers/demultiplexers are, in essence, the HC/HCT4015 and HC4052 preceded by address latches that are controlled by an active low Latch Enable input ( $\overline{LE}$ ). Two Enable inputs, one active low ( $\overline{E1}$ ), and the other active high (E2) are provided allowing enabling with either input voltage level.

### Ordering Information

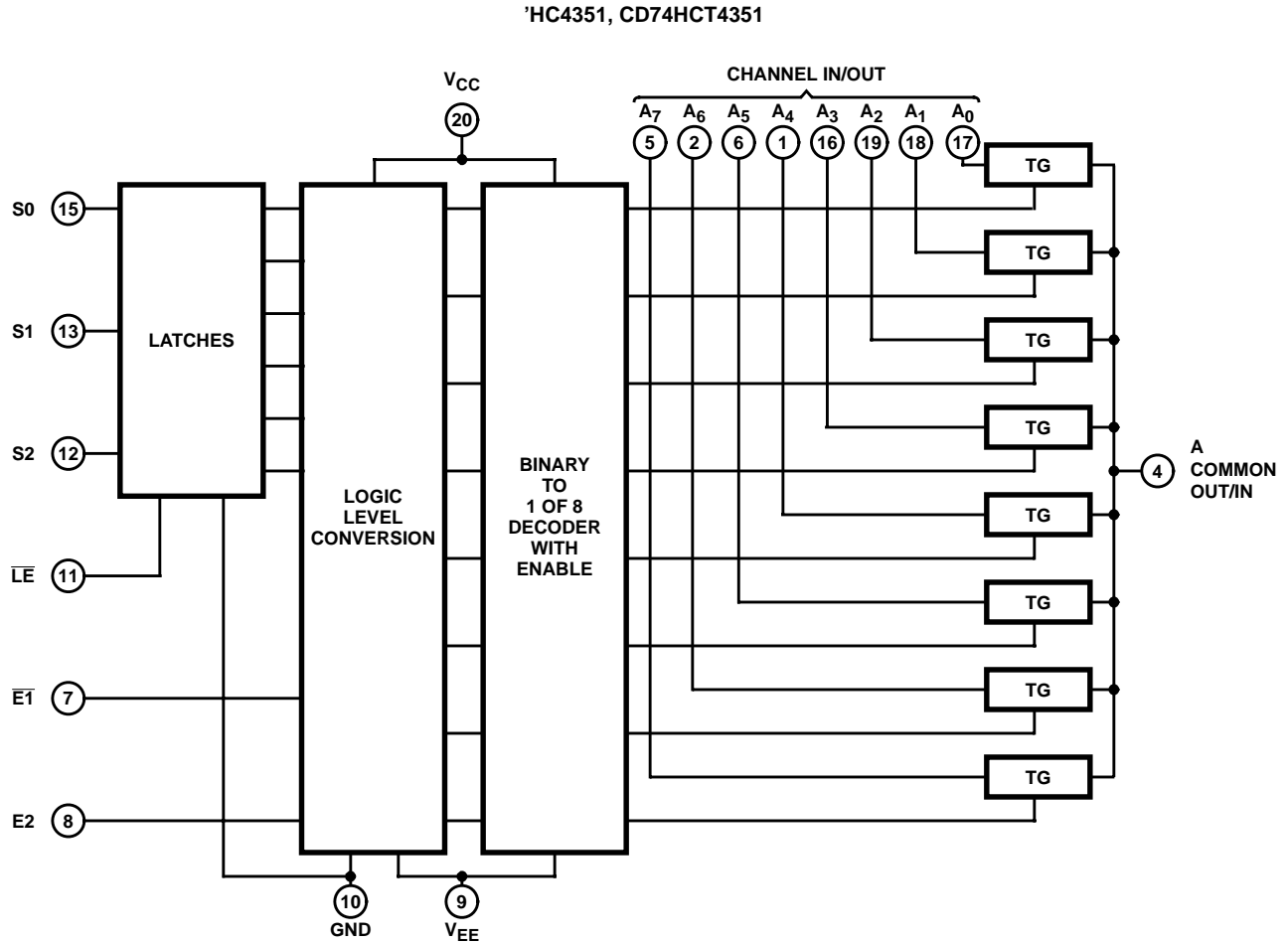
PART NUMBER	TEMP. RANGE (°C)	PACKAGE
CD54HC4351F3A	-55 to 125	20 Ld CERDIP
CD74HC4351E	-55 to 125	20 Ld PDIP
CD74HC4351M	-55 to 125	20 Ld SOIC
CD74HC4351M96	-55 to 125	20 Ld SOIC
CD74HCT4351E	-55 to 125	20 Ld PDIP
CD74HC4352E	-55 to 125	20 Ld PDIP

NOTE: When ordering, use the entire part number. The suffix 96 denotes tape and reel.

### Pinouts



Functional Diagram



TRUTH TABLE  
'HC4351, CD74HCT4351

INPUT STATES					(NOTE 1) "ON" SWITCHES $\overline{LE} = H$
$\overline{E1}$	E2	S2	S1	S0	
L	H	L	L	L	A <sub>0</sub>
L	H	L	L	H	A <sub>1</sub>
L	H	L	H	L	A <sub>2</sub>
L	H	L	H	H	A <sub>3</sub>
L	H	H	L	L	A <sub>4</sub>
L	H	H	L	H	A <sub>5</sub>
L	H	H	H	L	A <sub>6</sub>
L	H	H	H	H	A <sub>7</sub>
H	L	X	X	X	None

H = High Voltage Level, L = Low Voltage Level, X = Don't Care

NOTE:

1. When  $\overline{LE}$  is low S0-S2 data are latched and switches cannot change state.

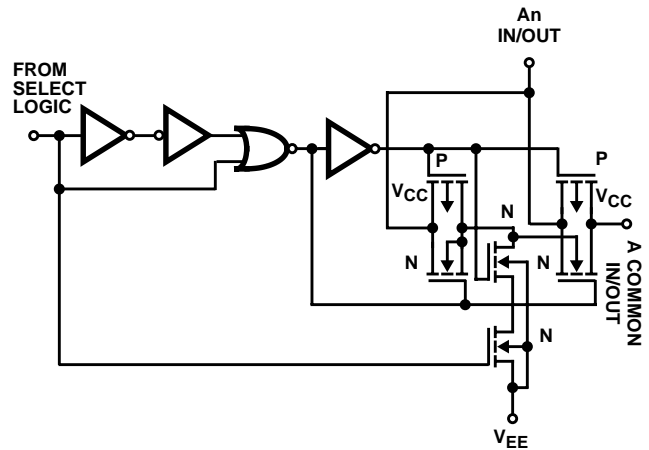
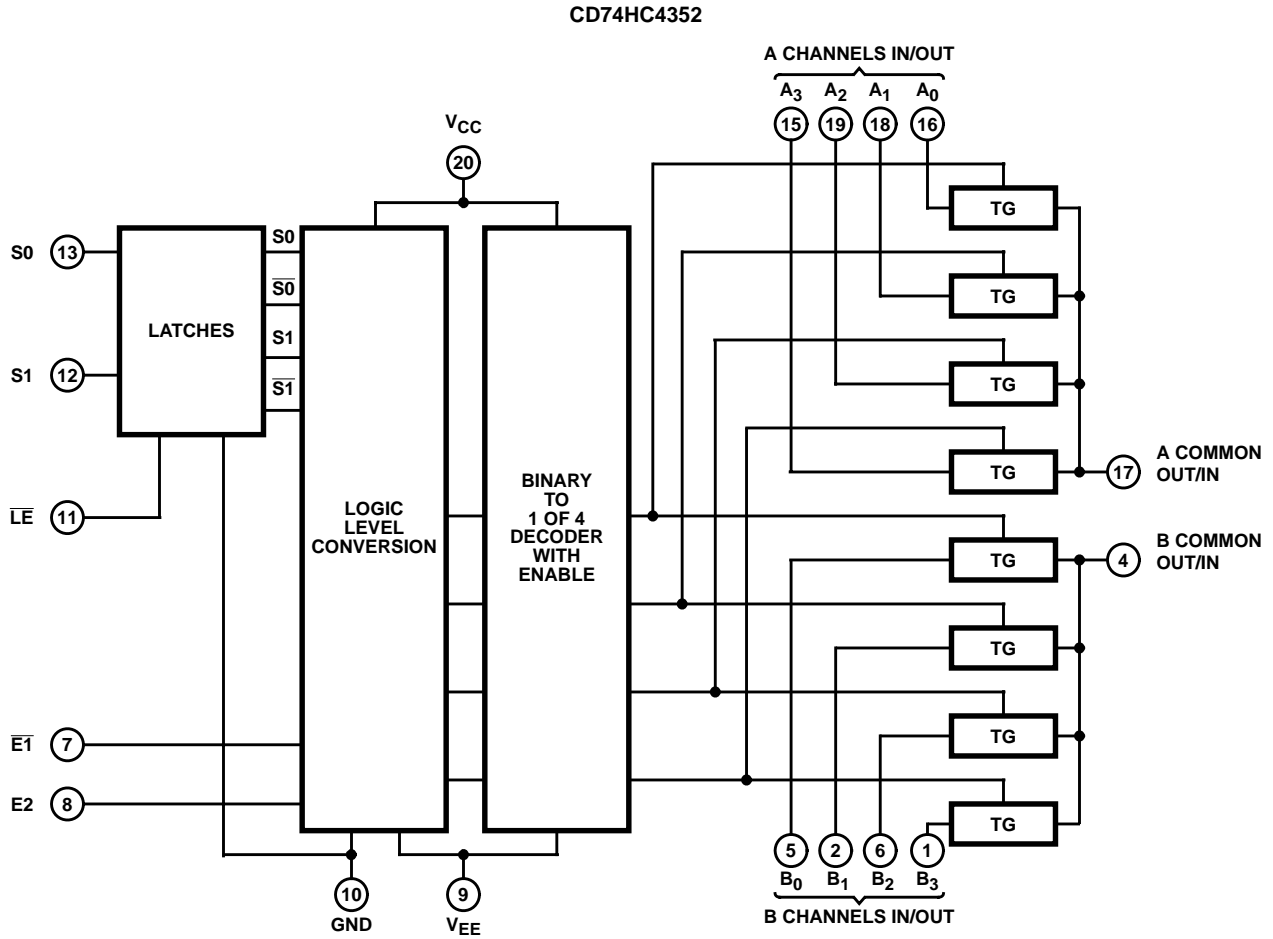


FIGURE 1. DETAIL OF ONE HC/HCT4351 SWITCH

Functional Diagram



TRUTH TABLE  
CD74HC4352

INPUT STATES				(NOTE 2) "ON" SWITCHES $\overline{LE} = H$
$\overline{E1}$	E2	S1	S0	
L	H	L	L	A <sub>0</sub> , B <sub>0</sub>
L	H	L	H	A <sub>1</sub> , B <sub>1</sub>
L	H	H	L	A <sub>2</sub> , B <sub>2</sub>
L	H	H	H	A <sub>3</sub> , B <sub>3</sub>
H	L	X	X	None

H = High Voltage Level, L = Low Voltage Level, X = Don't Care  
NOTE:

- When Latch Enable is "Low" channel-select data is latched and switches cannot change state.

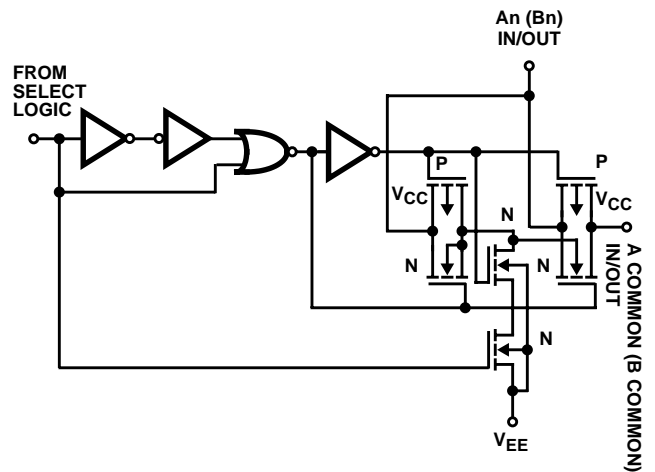


FIGURE 2. DETAIL OF ONE CD74HC4352 SWITCH

# CD54HC4351, CD74HC4351, CD74HCT4351, CD74HC4352

## Absolute Maximum Ratings

DC Supply Voltage, $V_{CC}$ .....	-0.5V to 7V
DC Supply Voltage, $V_{CC} - V_{EE}$ .....	-0.5V to 10.5V
DC Supply Voltage, $V_{EE}$ .....	0.5V to -7V
DC Input Diode Current, $I_{IK}$ For $V_I < -0.5V$ or $V_I > V_{CC} + 0.5V$ .....	$\pm 20mA$
DC Switch Diode Current, $I_{OK}$ For $V_I < V_{EE} - 0.5V$ or $V_I < V_{CC} + 0.5V$ .....	$\pm 25mA$
DC Switch Current, $I_{OK}$ (Note 3) For $V_I > V_{EE} - 0.5V$ or $V_I < V_{CC} + 0.5V$ .....	$\pm 20mA$
DC Output Diode Current, $I_{OK}$ For $V_O < -0.5V$ or $V_O > V_{CC} + 0.5V$ .....	$\pm 20mA$
DC Output Source or Sink Current per Output Pin, $I_O$ For $V_O > -0.5V$ or $V_O < V_{CC} + 0.5V$ .....	$\pm 25mA$
DC $V_{CC}$ or Ground Current, $I_{CC}$ .....	$\pm 50mA$

## Operating Conditions

Temperature Range, $T_A$ .....	-55°C to 125°C
Supply Voltage Range, $V_{CC}$ HC Types .....	.2V to 6V
HCT Types .....	4.5V to 5.5V
Supply Voltage Range, $V_{CC} - V_{EE}$ HC, HCT Types (Figure 3) .....	.2V to 10V
Supply Voltage Range, $V_{EE}$ HC, HCT Types (Figure 4) .....	0V to -6V
DC Input or Output Voltage, $V_I$ .....	GND to $V_{CC}$
Analog Switch I/O Voltage, $V_{IS}$ .....	$V_{EE}$ (Min) ..... $V_{CC}$ (Max)
Input Rise and Fall Time, $t_r, t_f$ 2V .....	1000ns (Max)
4.5V .....	500ns (Max)
6V .....	400ns (Max)

**CAUTION:** Stresses above those listed in "Absolute Maximum Ratings" may cause permanent damage to the device. This is a stress only rating and operation of the device at these or any other conditions above those indicated in the operational sections of this specification is not implied.

### NOTES:

- In certain applications, the external load-resistor current may include both  $V_{CC}$  and signal-line components. To avoid drawing  $V_{CC}$  current when switch current flows into the transmission gate inputs, the voltage drop across the bidirectional switch must not exceed 0.6V (calculated from  $R_{ON}$  values shown in the DC Electrical Specifications table). No  $V_{CC}$  current will flow through  $R_L$  if the switch current flows into terminal 3 on the 'HC4351 and CD74HCT4351; terminals 3 and 13 on the CD74HC4352.
- The package thermal impedance is calculated in accordance with JESD 51-7.

## Thermal Information

Thermal Resistance (Typical, Note 4)	$\theta_{JA}$ (°C/W)
E (PDIP) Package .....	69
M (SOIC) Package .....	58
Maximum Junction Temperature .....	150°C
Maximum Storage Temperature Range .....	-65°C to 150°C
Maximum Lead Temperature (Soldering 10s) .....	300°C (SOIC - Lead Tips Only)

## Recommended Operating Area as a Function of Supply Voltage

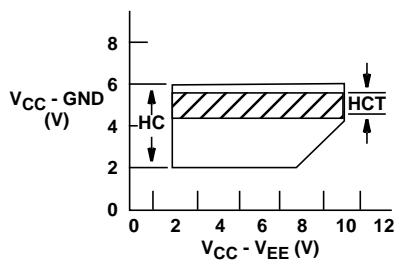


FIGURE 3.

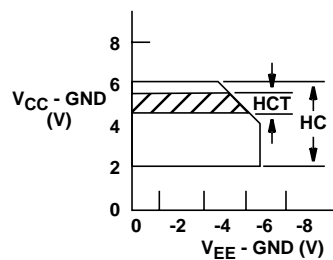


FIGURE 4.

**CD54HC4351, CD74HC4351, CD74HCT4351, CD74HC4352**

**DC Electrical Specifications**

PARAMETER	SYMBOL	TEST CONDITIONS				25°C			-40°C TO 85°C		-55°C TO 125°C		UNITS	
		V <sub>I</sub> (V)	V <sub>IS</sub> (V)	V <sub>EE</sub> (V)	V <sub>CC</sub> (V)	MIN	TYP	MAX	MIN	MAX	MIN	MAX		
<b>HC TYPES</b>														
High Level Input Voltage	V <sub>IH</sub>	-	-	-	2	1.5	-	-	1.5	-	1.5	-	V	
					4.5	3.15	-	-	3.15	-	3.15	-	V	
					6	4.2	-	-	4.2	-	4.2	-	V	
Low Level Input Voltage	V <sub>IL</sub>	-	-	-	2	-	-	0.5	-	0.5	-	0.5	V	
					4.5	-	-	1.35	-	1.35	-	1.35	V	
					6	-	-	1.8	-	1.8	-	1.8	V	
"ON" Resistance I <sub>O</sub> = 1mA Figure 9	R <sub>ON</sub>	V <sub>IH</sub> or V <sub>IL</sub>	V <sub>CC</sub> or V <sub>EE</sub>	0	4.5	-	70	160	-	200	-	240	Ω	
				0	6	-	60	140	-	175	-	210	Ω	
				-4.5	4.5	-	40	120	-	150	-	180	Ω	
			V <sub>CC</sub> to V <sub>EE</sub>	0	4.5	-	90	180	-	225	-	270	Ω	
				0	6	-	80	160	-	200	-	240	Ω	
				-4.5	4.5	-	45	130	-	162	-	195	Ω	
Maximum "ON" Resistance Between Any Two Channels	ΔR <sub>ON</sub>	-	-	0	4.5	-	10	-	-	-	-	-	Ω	
				0	6	-	8.5	-	-	-	-	-	Ω	
				-4.5	4.5	-	5	-	-	-	-	-	Ω	
Switch On/Off Leakage Current 4 Channels (4352)	I <sub>IZ</sub>	V <sub>IH</sub> or V <sub>IL</sub>	For Switch OFF: When V <sub>IS</sub> = V <sub>CC</sub> V <sub>OS</sub> = V <sub>EE</sub> ; When V <sub>IS</sub> = V <sub>EE</sub> ; V <sub>OS</sub> = V <sub>CC</sub> For Switch ON: All Applicable Combinations of V <sub>IS</sub> and V <sub>OS</sub> Voltage Levels	0	6	-	-	±0.1	-	±1	-	±1	μA	
				-5	5	-	-	±0.2	-	±2	-	±2	μA	
Switch On/Off Leakage Current 8 Channels (4351)	I <sub>IZ</sub>	V <sub>IH</sub> or V <sub>IL</sub>		0	6	-	-	±0.2	-	±2	-	±2	μA	
				-5	5	-	-	±0.4	-	±4	-	±4	μA	
Control Input Leakage Current	I <sub>IL</sub>	V <sub>CC</sub> or GND		-	0	6	-	-	±0.1	-	±1	-	±1	μA
Quiescent Device Current I <sub>O</sub> = 0	I <sub>CC</sub>	V <sub>CC</sub> or GND		When V <sub>IS</sub> = V <sub>EE</sub> ; V <sub>OS</sub> = V <sub>CC</sub> ; When V <sub>IS</sub> = V <sub>CC</sub> ; V <sub>OS</sub> = V <sub>EE</sub>	0	6	-	-	8	-	80	-	160	μA
			-5		5	-	-	16	-	160	-	320	μA	

**CD54HC4351, CD74HC4351, CD74HCT4351, CD74HC4352**

**DC Electrical Specifications (Continued)**

PARAMETER	SYMBOL	TEST CONDITIONS				25°C			-40°C TO 85°C		-55°C TO 125°C		UNITS
		V <sub>I</sub> (V)	V <sub>IS</sub> (V)	V <sub>EE</sub> (V)	V <sub>CC</sub> (V)	MIN	TYP	MAX	MIN	MAX	MIN	MAX	
<b>HCT TYPES</b>													
High Level Input Voltage	V <sub>IH</sub>	-	-	-	4.5 to 5.5	2	-	-	2	-	2	-	V
Low Level Input Voltage	V <sub>IL</sub>	-	-	-	4.5 to 5.5	-	-	0.8	-	0.8	-	0.8	V
“ON” Resistance I <sub>O</sub> = 1mA Figure 9	R <sub>ON</sub>	V <sub>IH</sub> or V <sub>IL</sub>	V <sub>CC</sub> or V <sub>EE</sub>	0	4.5	-	70	160	-	200	-	240	Ω
				-4.5	4.5	-	40	120	-	150	-	180	Ω
		V <sub>CC</sub> to V <sub>EE</sub>	0	4.5	-	90	180	-	225	-	270	Ω	
			-4.5	4.5	-	45	130	-	162	-	195	Ω	
Maximum “ON” Resistance Between Any Two Channels	ΔR <sub>ON</sub>	-	-	0	4.5	-	10	-	-	-	-	-	Ω
				-4.5	4.5	-	5	-	-	-	-	-	-
Switch On/Off Leakage Current 4 Channels (4352)	I <sub>IZ</sub>	V <sub>IH</sub> or V <sub>IL</sub>	For Switch OFF: When V <sub>IS</sub> = V <sub>CC</sub> V <sub>OS</sub> = V <sub>EE</sub> ; When V <sub>IS</sub> = V <sub>EE</sub> , V <sub>OS</sub> = V <sub>CC</sub> For Switch ON: All Applicable Combinations of V <sub>IS</sub> and V <sub>OS</sub> Voltage Levels	0	6	-	-	±0.1	-	±1	-	±1	μA
-5				5	-	-	±0.2	-	±2	-	±2	μA	
0				6	-	-	±0.2	-	±2	-	±2	μA	
-5				5	-	-	±0.4	-	±4	-	±4	μA	
Switch On/Off Leakage Current 8 Channels (4351)													
Control Input Leakage Current	I <sub>I</sub>	V <sub>CC</sub> or GND	-	0	5.5	-	-	±0.1	-	±1	-	±1	μA
Quiescent Device Current I <sub>O</sub> = 0	I <sub>CC</sub>	Any Voltage Between V <sub>CC</sub> and GND	When V <sub>IS</sub> = V <sub>EE</sub> , V <sub>OS</sub> = V <sub>CC</sub> ; When V <sub>IS</sub> = V <sub>CC</sub> , V <sub>OS</sub> = V <sub>EE</sub>	0	5.5	-	-	8	-	80	-	160	μA
				-4.5	5.5	-	-	16	-	160	-	320	μA
Additional Quiescent Device Current Per Input Pin: 1 Unit Load	ΔI <sub>CC</sub> (Note 5)	V <sub>CC</sub> -2.1	-	-	4.5 to 5.5	-	100	360	-	450	-	490	μA

NOTE:

5. For dual-supply systems theoretical worst case (V<sub>I</sub> = 2.4V, V<sub>CC</sub> = 5.5V) specification is 1.8mA.

**HCT Input Loading Table**

TYPE	INPUT	UNIT LOADS
All	$\overline{E1}$ , E2, Sn	0.5
(4351, 4352)	$\overline{LE}$	1.5

NOTE: Unit Load is ΔI<sub>CC</sub> limit specified in DC Electrical Table, e.g., 360μA max at 25°C.

**CD54HC4351, CD74HC4351, CD74HCT4351, CD74HC4352**

**Switching Specifications** Input  $t_r, t_f = 6\text{ns}$

PARAMETER	SYMBOL	TEST CONDITIONS	$V_{EE}$ (V)	$V_{CC}$ (V)	25°C			-40°C TO 85°C		-55°C TO 125°C		UNITS
					MIN	TYP	MAX	MIN	MAX	MIN	MAX	
<b>HC TYPES</b>												
Propagation Delay, Switch In to Switch Out	$t_{PLH}, t_{PHL}$	$C_L = 50\text{pF}$	0	2	-	-	35	-	45	-	55	ns
			0	4.5	-	-	7	-	9	-	11	ns
			0	6	-	-	6	-	8	-	9	ns
			-4.5	4.5	-	-	5	-	7	-	8	ns
Maximum Switch Turn "ON" Delay 4351 $\bar{E}1, E2, \bar{L}E$ to $V_{OS}$	$t_{PZH}, t_{PZL}$	$C_L = 50\text{pF}$	0	2	-	-	300	-	375	-	450	ns
			0	4.5	-	-	60	-	75	-	90	ns
			0	6	-	-	51	-	64	-	77	ns
			-4.5	4.5	-	-	55	-	69	-	83	ns
		$C_L = 15\text{pF}$	-	5	-	27	-	-	-	-	-	ns
Maximum Switch Turn "ON" Delay 4352 $\bar{E}1, E2, \bar{L}E$ to $V_{OS}$	$t_{PZH}, t_{PZL}$	$C_L = 50\text{pF}$	0	2	-	-	350	-	440	-	525	ns
			0	4.5	-	-	70	-	88	-	105	ns
			0	6	-	-	60	-	75	-	90	ns
			-4.5	4.5	-	-	60	-	75	-	90	ns
		$C_L = 15\text{pF}$	-	5	-	35	-	-	-	-	-	ns
Maximum Switch Turn "ON" Delay 4351 $S_n$ to $V_{OS}$	$t_{PZH}, t_{PZL}$	$C_L = 50\text{pF}$	0	2	-	-	300	-	375	-	450	ns
			0	4.5	-	-	60	-	75	-	90	ns
			0	6	-	-	51	-	64	-	77	ns
			-4.5	4.5	-	-	50	-	63	-	75	ns
		$C_L = 15\text{pF}$	-	5	-	27	-	-	-	-	-	ns
Maximum Switch Turn "ON" Delay 4352 $S_n$ to $V_{OS}$	$t_{PZH}, t_{PZL}$	$C_L = 50\text{pF}$	0	2	-	-	375	-	470	-	565	ns
			0	4.5	-	-	75	-	94	-	113	ns
			0	6	-	-	64	-	80	-	96	ns
			-4.5	4.5	-	-	55	-	69	-	83	ns
		$C_L = 15\text{pF}$	-	5	-	35	-	-	-	-	-	ns
Maximum Switch Turn "OFF" Delay 4351 $\bar{E}1$ to $V_{OS}$	$t_{PHZ}, t_{PLZ}$	$C_L = 50\text{pF}$	0	2	-	-	250	-	315	-	375	ns
			0	4.5	-	-	50	-	63	-	75	ns
			0	6	-	-	43	-	54	-	64	ns
			-4.5	4.5	-	-	40	-	50	-	60	ns
		$C_L = 15\text{pF}$	-	5	-	21	-	-	-	-	-	ns

**CD54HC4351, CD74HC4351, CD74HCT4351, CD74HC4352**

**Switching Specifications** Input  $t_r$ ,  $t_f = 6\text{ns}$  (Continued)

PARAMETER	SYMBOL	TEST CONDITIONS	V <sub>EE</sub> (V)	V <sub>CC</sub> (V)	25°C			-40°C TO 85°C		-55°C TO 125°C		UNITS
					MIN	TYP	MAX	MIN	MAX	MIN	MAX	
Maximum Switch Turn "OFF" Delay 4351 E2 to V <sub>OS</sub>	t <sub>PHZ</sub> , t <sub>PLZ</sub>	C <sub>L</sub> = 50pF	0	2	-	-	250	-	315	-	375	ns
			0	4.5	-	-	50	-	63	-	75	ns
			0	6	-	-	43	-	54	-	64	ns
			-4.5	4.5	-	-	40	-	50	-	60	ns
		C <sub>L</sub> = 15pF	-	5	-	21	-	-	-	-	-	ns
Maximum Switch Turn "OFF" Delay 4351 LE to V <sub>OS</sub>	t <sub>PHZ</sub> , t <sub>PLZ</sub>	C <sub>L</sub> = 50pF	0	2	-	-	275	-	345	-	415	ns
			0	4.5	-	-	55	-	69	-	83	ns
			0	6	-	-	47	-	59	-	71	ns
			-4.5	4.5	-	-	45	-	56	-	68	ns
		C <sub>L</sub> = 15pF	-	5	-	21	-	-	-	-	-	ns
Maximum Switch Turn "OFF" Delay 4351 Sn to V <sub>OS</sub>	t <sub>PHZ</sub> , t <sub>PLZ</sub>	C <sub>L</sub> = 50pF	0	2	-	-	275	-	345	-	415	ns
			0	4.5	-	-	55	-	69	-	83	ns
			0	6	-	-	47	-	59	-	71	ns
			-4.5	4.5	-	-	48	-	60	-	71	ns
		C <sub>L</sub> = 15pF	-	5	-	21	-	-	-	-	-	ns
Maximum Switch Turn "OFF" Delay 4352 E1, E2, LE to V <sub>OS</sub>	t <sub>PHZ</sub> , t <sub>PLZ</sub>	C <sub>L</sub> = 50pF	0	2	-	-	275	-	345	-	415	ns
			0	4.5	-	-	55	-	69	-	83	ns
			0	6	-	-	47	-	59	-	71	ns
			-4.5	4.5	-	-	50	-	63	-	75	ns
		C <sub>L</sub> = 15pF	-	5	-	21	-	-	-	-	-	ns
Setup Time 4351 Sn to LE	t <sub>SU</sub>	C <sub>L</sub> = 50pF	0	2	-	-	60	-	75	-	90	ns
			0	4.5	-	-	12	-	15	-	18	ns
			0	6	-	-	10	-	13	-	15	ns
			-4.5	4.5	-	-	18	-	23	-	27	ns
			C <sub>L</sub> = 15pF	-	5	-	21	-	-	-	-	-
Hold Time 4351 and 4352 Sn to LE	t <sub>H</sub>	C <sub>L</sub> = 50pF	0	2	5	-	-	5	-	5	-	ns
			0	4.5	5	-	-	5	-	5	-	ns
			0	6	5	-	-	5	-	5	-	ns
			-4.5	4.5	5	-	-	5	-	5	-	ns
			C <sub>L</sub> = 15pF	-	5	-	21	-	-	-	-	-
Pulse Width 4351 and 4352 LE	t <sub>W</sub>	C <sub>L</sub> = 50pF	0	2	100	-	-	125	-	150	-	ns
			0	4.5	20	-	-	25	-	30	-	ns
			0	6	17	-	-	21	-	26	-	ns
			-4.5	4.5	25	-	-	31	-	38	-	ns
			C <sub>L</sub> = 15pF	-	5	-	21	-	-	-	-	-
Input (Control) Capacitance	C <sub>I</sub>	-	-	-	-	10	-	10	-	10	pF	
Power Dissipation Capacitance (Notes 6, 7) 4351	C <sub>PD</sub>	-	-	5	-	50	-	-	-	-	pF	

**CD54HC4351, CD74HC4351, CD74HCT4351, CD74HC4352**

**Switching Specifications** Input  $t_r$ ,  $t_f = 6\text{ns}$  (Continued)

PARAMETER	SYMBOL	TEST CONDITIONS	V <sub>EE</sub> (V)	V <sub>CC</sub> (V)	25°C			-40°C TO 85°C		-55°C TO 125°C		UNITS
					MIN	TYP	MAX	MIN	MAX	MIN	MAX	
Power Dissipation Capacitance (Notes 6, 7) 4352	C <sub>PD</sub>	-	-	5	-	74	-	-	-	-	-	pF
<b>HCT TYPES</b>												
Propagation Delay, Switch In to Switch Out	t <sub>PLH</sub> , t <sub>PHL</sub>	C <sub>L</sub> = 50pF	0	4.5	-	-	7	-	9	-	11	ns
			-4.5	4.5	-	-	5	-	7	-	8	ns
Maximum Switch Turn "ON" Delay 4351 E1, E2, LE to V <sub>OS</sub>	t <sub>PZH</sub> , t <sub>PZL</sub>	C <sub>L</sub> = 50pF	0	4.5	-	-	75	-	94	-	113	ns
			-4.5	4.5	-	-	60	-	75	-	90	ns
		C <sub>L</sub> = 15pF	-	5	-	35	-	-	-	-	-	ns
Maximum Switch Turn "ON" Delay 4351 Sn to V <sub>OS</sub>	t <sub>PZH</sub> , t <sub>PZL</sub>	C <sub>L</sub> = 50pF	0	4.5	-	-	75	-	94	-	113	ns
			-4.5	4.5	-	-	60	-	75	-	90	ns
		C <sub>L</sub> = 15pF	-	5	-	35	-	-	-	-	-	ns
Maximum Switch Turn "OFF" Delay 4351 E1 to V <sub>OS</sub>	t <sub>PHZ</sub> , t <sub>PLZ</sub>	C <sub>L</sub> = 50pF	0	4.5	-	-	55	-	69	-	83	ns
			-4.5	4.5	-	-	40	-	50	-	60	ns
		C <sub>L</sub> = 15pF	-	5	-	23	-	-	-	-	-	ns
Maximum Switch Turn "OFF" Delay 4351 E2 to V <sub>OS</sub>	t <sub>PHZ</sub> , t <sub>PLZ</sub>	C <sub>L</sub> = 50pF	0	4.5	-	-	60	-	75	-	90	ns
			-4.5	4.5	-	-	50	-	63	-	75	ns
		C <sub>L</sub> = 15pF	-	5	-	23	-	-	-	-	-	ns
Maximum Switch Turn "OFF" Delay 4351 LE to V <sub>OS</sub>	t <sub>PHZ</sub> , t <sub>PLZ</sub>	C <sub>L</sub> = 50pF	0	4.5	-	-	60	-	75	-	90	ns
			-4.5	4.5	-	-	55	-	69	-	83	ns
Maximum Switch Turn "OFF" Delay 4351 Sn to V <sub>OS</sub>	t <sub>PHZ</sub> , t <sub>PLZ</sub>	C <sub>L</sub> = 50pF	0	4.5	-	-	65	-	81	-	98	ns
			-4.5	4.5	-	-	55	-	69	-	83	ns
		C <sub>L</sub> = 15pF	-	5	-	23	-	-	-	-	-	ns
Setup Time 4351 Sn to LE		C <sub>L</sub> = 50pF	0	4.5	-	-	12	-	15	-	18	ns
			-4.5	4.5	-	-	14	-	18	-	21	ns
Hold Time 4351 and 4352 Sn to LE		C <sub>L</sub> = 50pF	0	4.5	5	-	-	5	-	5	-	ns
			-4.5	4.5	5	-	-	5	-	5	-	ns
Pulse Width 4351 LE	t <sub>W</sub>	C <sub>L</sub> = 50pF	0	4.5	25	-	-	31	-	28	-	ns
			-4.5	4.5	25	-	-	31	-	38	-	ns
Input (Control) Capacitance	C <sub>I</sub>	-	-	-	-	-	10	-	10	-	10	pF
Power Dissipation Capacitance (Notes 6, 7) 4351	C <sub>PD</sub>	-	-	5	-	52	-	-	-	-	-	pF

**NOTES:**

6. C<sub>PD</sub> is used to determine the dynamic power consumption, per package.

7.  $P_D = C_{PD} V_{CC}^2 f_i + \sum (C_L + C_S) V_{CC}^2 f_o$  where  $f_i$  = input frequency,  $f_o$  = output frequency,  $C_L$  = output load capacitance,  $C_S$  = switch capacitance,  $V_{CC}$  = supply voltage.

**CD54HC4351, CD74HC4351, CD74HCT4351, CD74HC4352**

**Analog Channel Specifications**  $T_A = 25^\circ\text{C}$

PARAMETER	SYMBOL	TEST CONDITIONS	TYPE	$V_{EE}$ (V)	$V_{CC}$ (V)	HC/HCT	UNITS
Switch Input Capacitance	$C_I$		All	-	-	5	pF
Common Capacitance	$C_{COM}$		4351	-	-	25	pF
			4352	-	-	12	pF
Minimum Switch Frequency Response at -3dB (Figure 6, 8)	$f_{MAX}$	See Figure 11 (Notes 8, 9)	4351	-	-	145	MHz
			4352	-2.25	2.25	165	MHz
			4351	-	-	180	MHz
			4352	-4.5	4.5	185	MHz
Crosstalk Between Any Two Switches (Note 11)		See Figure 10 (Notes 9, 10)	4351	-	-	N/A	dB
			4352	-2.25	2.25	(TBE)	dB
			4351	-	-	N/A	dB
			4352	-4.5	4.5	(TBE)	dB
Sine-Wave Distortion		See Figure 12	All	-2.25	2.25	0.035	%
			All	-4.5	4.5	0.018	%
$\bar{E}$ or S to Switch Feedthrough Noise		See Figure 13 (Notes 9, 10)	4351	-	-	-	mV
			4352	-2.25	2.25	(TBE)	mV
			4351	-	-	-	mV
			4352	-4.5	4.5	(TBE)	mV
Switch "OFF" Signal Feedthrough (Figure 6, 8)		See Figure 14 (Notes 9, 10)	4351	-	-	-73	dB
			4352	-2.25	2.25	-65	dB
			4351	-	-	-75	dB
			4352	-4.5	4.5	-67	dB

**NOTES:**

8. Adjust input voltage to obtain 0dBm at  $V_{OS}$  for,  $f_{in} = 1\text{MHz}$ .
9.  $V_{IS}$  is centered at  $(V_{CC} - V_{EE})/2$ .
10. Adjust input for 0dBm.
11. Not applicable for 'HC4351 and CD74HCT4351.

Typical Performance Curves

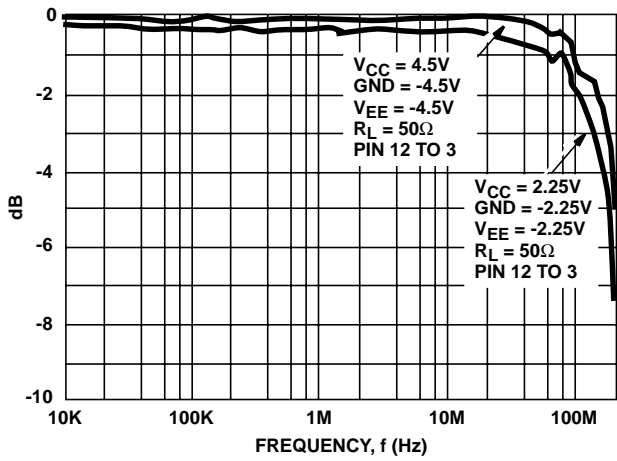


FIGURE 5. CHANNEL ON BANDWIDTH ('HC4351, CD74HCT4351)

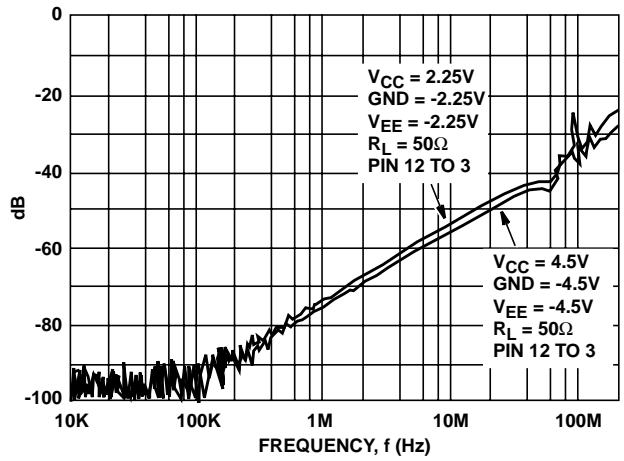


FIGURE 6. CHANNEL OFF FEEDTHROUGH ('HC4351, CD74HCT4351)

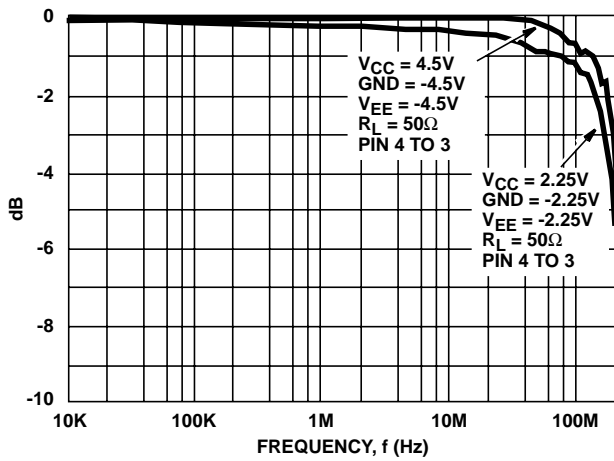


FIGURE 7. CHANNEL ON BANDWIDTH (CD74HC4352)

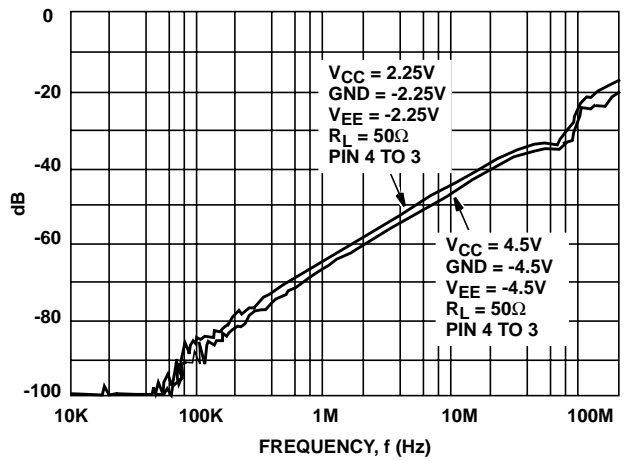


FIGURE 8. CHANNEL OFF FEEDTHROUGH (CD74HC4352)

Typical Performance Curves (Continued)

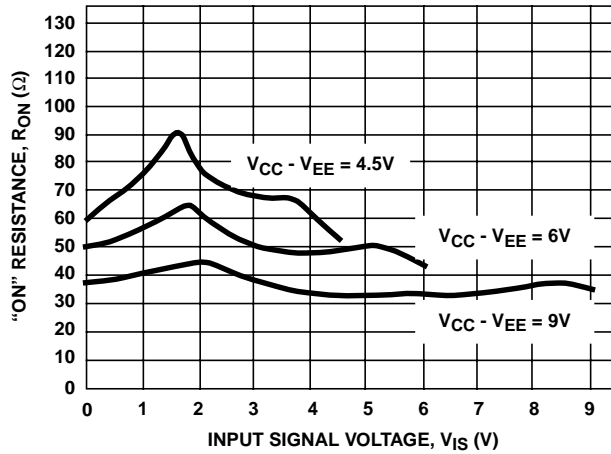


FIGURE 9. TYPICAL ON RESISTANCE vs INPUT SIGNAL VOLTAGE

Analog Test Circuits

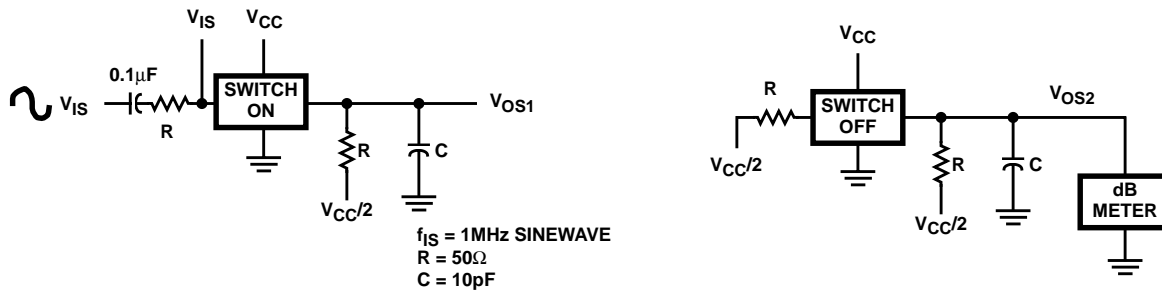


FIGURE 10. CROSSTALK BETWEEN TWO SWITCHES TEST CIRCUIT

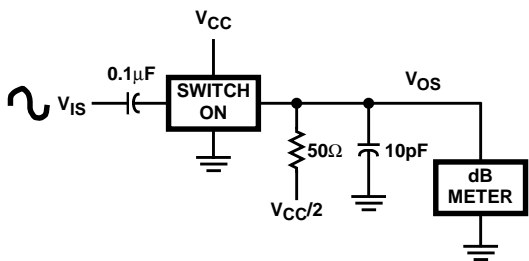


FIGURE 11. FREQUENCY RESPONSE TEST CIRCUIT

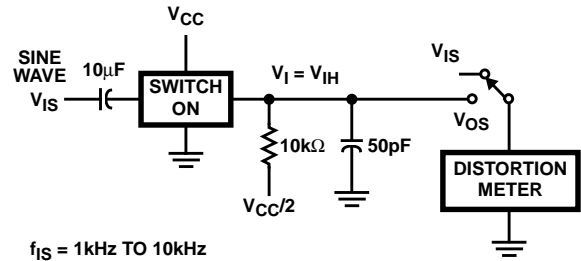


FIGURE 12. TOTAL HARMONIC DISTORTION TEST CIRCUIT

Analog Test Circuits (Continued)

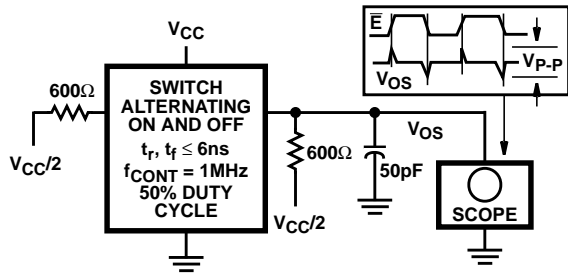


FIGURE 13. CONTROL-TO-SWITCH FEEDTHROUGH NOISE TEST CIRCUIT

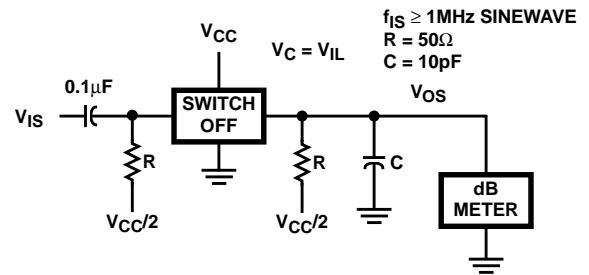
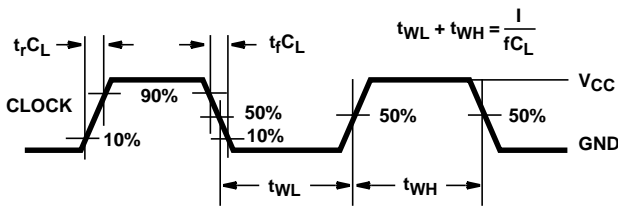


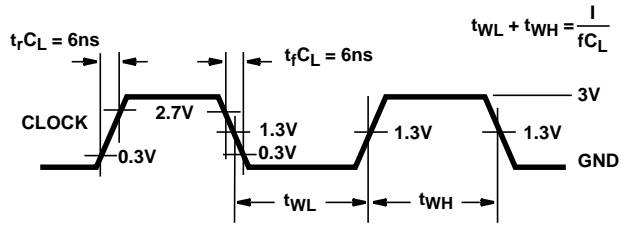
FIGURE 14. SWITCH OFF SIGNAL FEEDTHROUGH

Test Circuits and Waveforms



NOTE: Outputs should be switching from 10%  $V_{CC}$  to 90%  $V_{CC}$  in accordance with device truth table. For  $f_{MAX}$ , input duty cycle = 50%.

FIGURE 15. HC CLOCK PULSE RISE AND FALL TIMES AND PULSE WIDTH



NOTE: Outputs should be switching from 10%  $V_{CC}$  to 90%  $V_{CC}$  in accordance with device truth table. For  $f_{MAX}$ , input duty cycle = 50%.

FIGURE 16. HCT CLOCK PULSE RISE AND FALL TIMES AND PULSE WIDTH

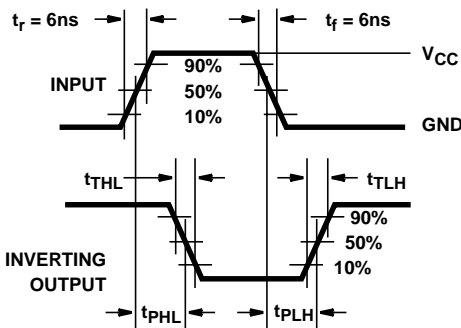


FIGURE 17. HC TRANSITION TIMES AND PROPAGATION DELAY TIMES, COMBINATION LOGIC

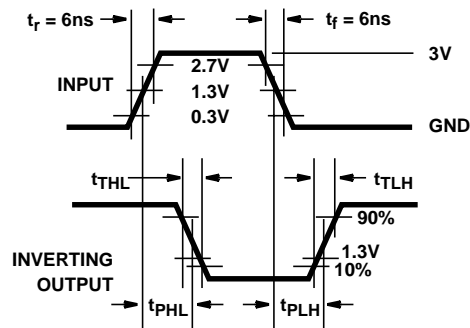


FIGURE 18. HCT TRANSITION TIMES AND PROPAGATION DELAY TIMES, COMBINATION LOGIC

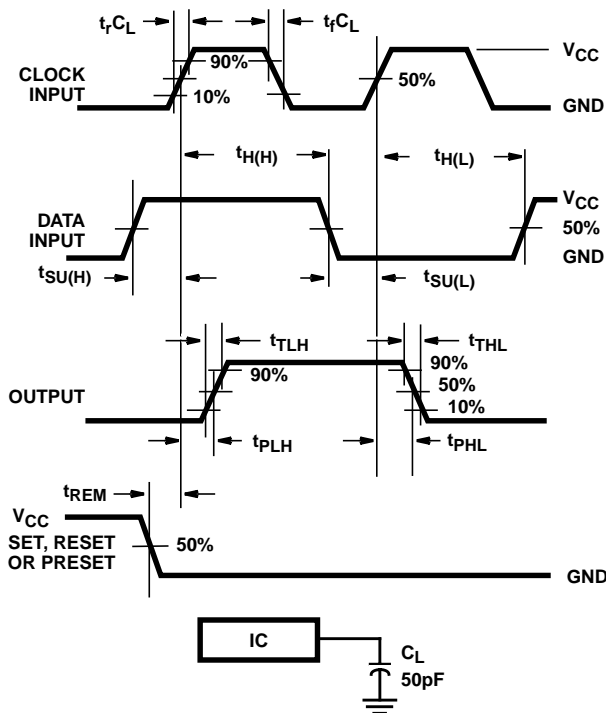


FIGURE 19. HC SETUP TIMES, HOLD TIMES, REMOVAL TIME, AND PROPAGATION DELAY TIMES FOR EDGE TRIGGERED SEQUENTIAL LOGIC CIRCUITS

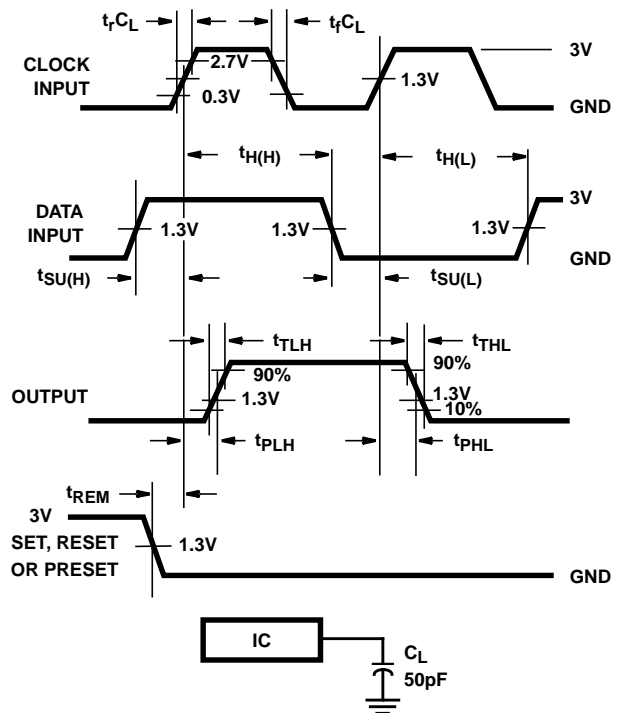


FIGURE 20. HCT SETUP TIMES, HOLD TIMES, REMOVAL TIME, AND PROPAGATION DELAY TIMES FOR EDGE TRIGGERED SEQUENTIAL LOGIC CIRCUITS

**Test Circuits and Waveforms** (Continued)

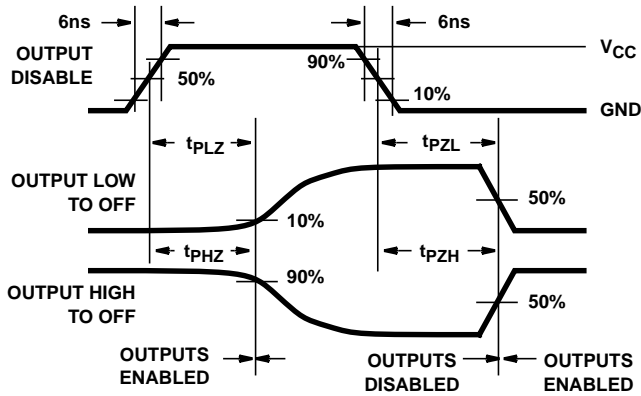


FIGURE 21. HC THREE-STATE PROPAGATION DELAY WAVEFORM

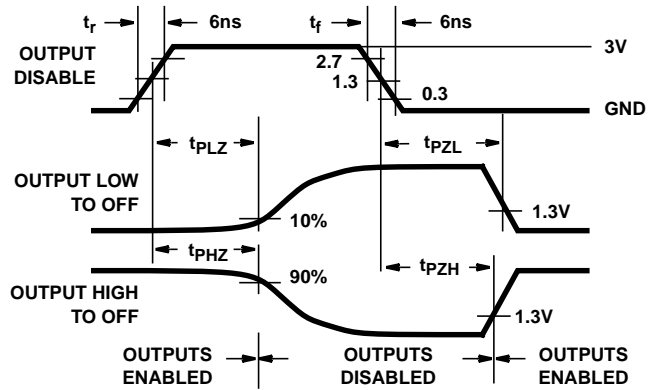
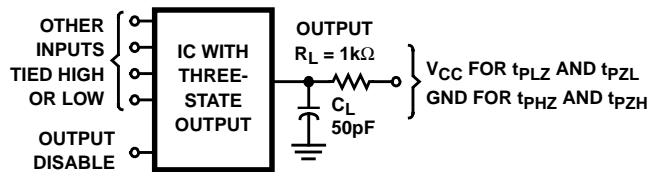


FIGURE 22. HCT THREE-STATE PROPAGATION DELAY WAVEFORM



NOTE: Open drain waveforms  $t_{PLZ}$  and  $t_{PZL}$  are the same as those for three-state shown on the left. The test circuit is Output  $R_L = 1k\Omega$  to  $V_{CC}$ ,  $C_L = 50pF$ .

FIGURE 23. HC AND HCT THREE-STATE PROPAGATION DELAY TEST CIRCUIT

**PACKAGING INFORMATION**

Orderable Device	Status <sup>(1)</sup>	Package Type	Package Drawing	Pins	Package Qty	Eco Plan <sup>(2)</sup>	Lead/Ball Finish	MSL Peak Temp <sup>(3)</sup>
CD54HC4351F3A	ACTIVE	CDIP	J	20	1	None	Call TI	Level-NC-NC-NC
CD74HC4351E	ACTIVE	PDIP	N	20	20	Pb-Free (RoHS)	CU NIPDAU	Level-NC-NC-NC
CD74HC4351M	ACTIVE	SOIC	DW	20	25	Pb-Free (RoHS)	CU NIPDAU	Level-2-250C-1 YEAR/ Level-1-235C-UNLIM
CD74HC4351M96	ACTIVE	SOIC	DW	20	2000	Pb-Free (RoHS)	CU NIPDAU	Level-2-250C-1 YEAR/ Level-1-235C-UNLIM
CD74HC4352E	ACTIVE	PDIP	N	20	20	Pb-Free (RoHS)	CU NIPDAU	Level-NC-NC-NC
CD74HCT4351E	ACTIVE	PDIP	N	20	20	Pb-Free (RoHS)	CU NIPDAU	Level-NC-NC-NC

<sup>(1)</sup> The marketing status values are defined as follows:

**ACTIVE:** Product device recommended for new designs.

**LIFEBUY:** TI has announced that the device will be discontinued, and a lifetime-buy period is in effect.

**NRND:** Not recommended for new designs. Device is in production to support existing customers, but TI does not recommend using this part in a new design.

**PREVIEW:** Device has been announced but is not in production. Samples may or may not be available.

**OBSOLETE:** TI has discontinued the production of the device.

<sup>(2)</sup> Eco Plan - May not be currently available - please check <http://www.ti.com/productcontent> for the latest availability information and additional product content details.

**None:** Not yet available Lead (Pb-Free).

**Pb-Free (RoHS):** TI's terms "Lead-Free" or "Pb-Free" mean semiconductor products that are compatible with the current RoHS requirements for all 6 substances, including the requirement that lead not exceed 0.1% by weight in homogeneous materials. Where designed to be soldered at high temperatures, TI Pb-Free products are suitable for use in specified lead-free processes.

**Green (RoHS & no Sb/Br):** TI defines "Green" to mean "Pb-Free" and in addition, uses package materials that do not contain halogens, including bromine (Br) or antimony (Sb) above 0.1% of total product weight.

<sup>(3)</sup> MSL, Peak Temp. -- The Moisture Sensitivity Level rating according to the JEDEC industry standard classifications, and peak solder temperature.

**Important Information and Disclaimer:**The information provided on this page represents TI's knowledge and belief as of the date that it is provided. TI bases its knowledge and belief on information provided by third parties, and makes no representation or warranty as to the accuracy of such information. Efforts are underway to better integrate information from third parties. TI has taken and continues to take reasonable steps to provide representative and accurate information but may not have conducted destructive testing or chemical analysis on incoming materials and chemicals. TI and TI suppliers consider certain information to be proprietary, and thus CAS numbers and other limited information may not be available for release.

In no event shall TI's liability arising out of such information exceed the total purchase price of the TI part(s) at issue in this document sold by TI to Customer on an annual basis.



N (R-PDIP-T\*\*)

PLASTIC DUAL-IN-LINE PACKAGE

16 PINS SHOWN

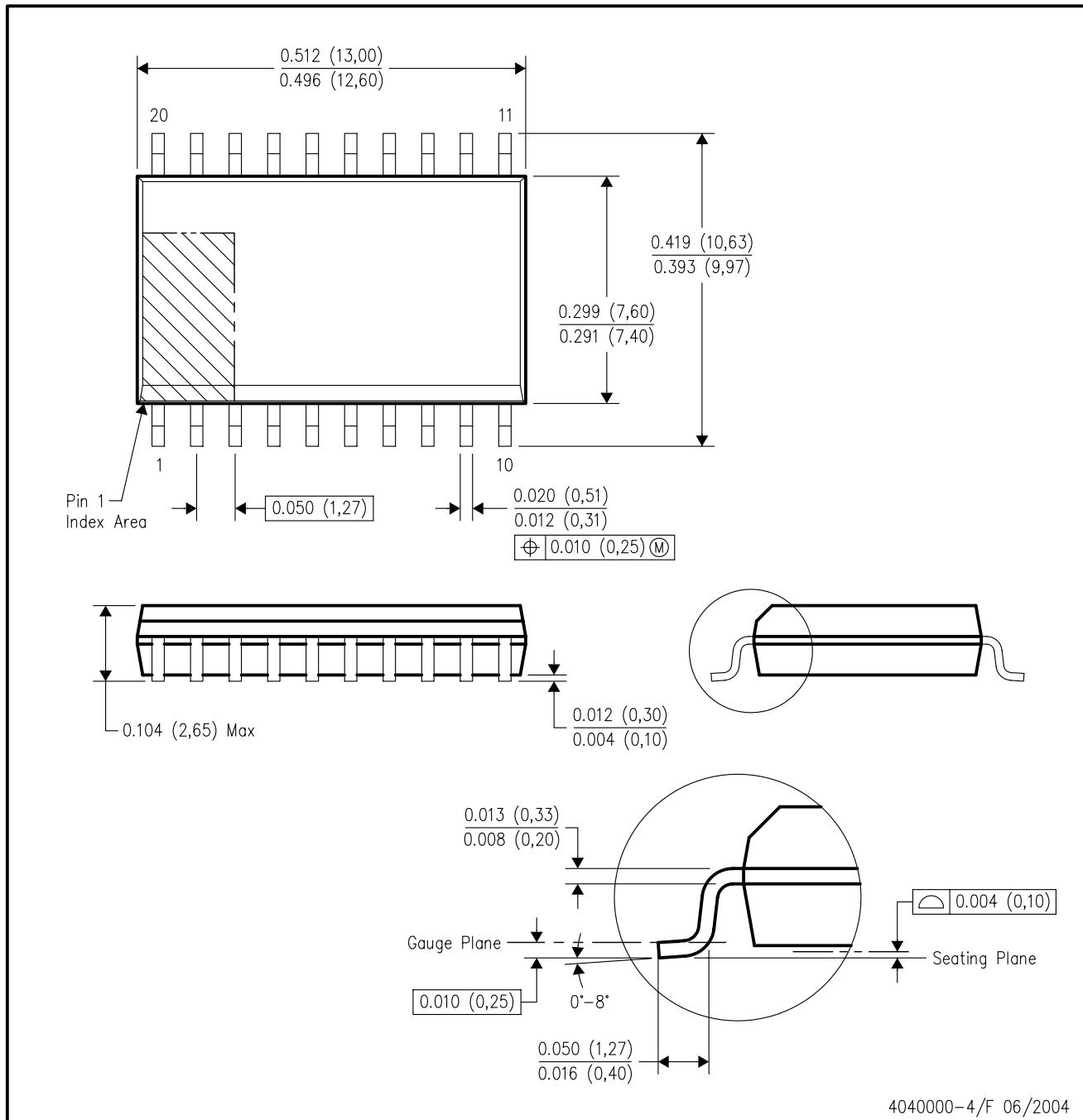


4040049/E 12/2002

- NOTES:
- A. All linear dimensions are in inches (millimeters).
  - B. This drawing is subject to change without notice.
  - $\triangle C$  Falls within JEDEC MS-001, except 18 and 20 pin minimum body length (Dim A).
  - $\triangle D$  The 20 pin end lead shoulder width is a vendor option, either half or full width.

DW (R-PDSO-G20)

PLASTIC SMALL-OUTLINE PACKAGE



- NOTES:
- A. All linear dimensions are in inches (millimeters).
  - B. This drawing is subject to change without notice.
  - C. Body dimensions do not include mold flash or protrusion not to exceed 0.006 (0,15).
  - D. Falls within JEDEC MS-013 variation AC.

## IMPORTANT NOTICE

Texas Instruments Incorporated and its subsidiaries (TI) reserve the right to make corrections, modifications, enhancements, improvements, and other changes to its products and services at any time and to discontinue any product or service without notice. Customers should obtain the latest relevant information before placing orders and should verify that such information is current and complete. All products are sold subject to TI's terms and conditions of sale supplied at the time of order acknowledgment.

TI warrants performance of its hardware products to the specifications applicable at the time of sale in accordance with TI's standard warranty. Testing and other quality control techniques are used to the extent TI deems necessary to support this warranty. Except where mandated by government requirements, testing of all parameters of each product is not necessarily performed.

TI assumes no liability for applications assistance or customer product design. Customers are responsible for their products and applications using TI components. To minimize the risks associated with customer products and applications, customers should provide adequate design and operating safeguards.

TI does not warrant or represent that any license, either express or implied, is granted under any TI patent right, copyright, mask work right, or other TI intellectual property right relating to any combination, machine, or process in which TI products or services are used. Information published by TI regarding third-party products or services does not constitute a license from TI to use such products or services or a warranty or endorsement thereof. Use of such information may require a license from a third party under the patents or other intellectual property of the third party, or a license from TI under the patents or other intellectual property of TI.

Reproduction of information in TI data books or data sheets is permissible only if reproduction is without alteration and is accompanied by all associated warranties, conditions, limitations, and notices. Reproduction of this information with alteration is an unfair and deceptive business practice. TI is not responsible or liable for such altered documentation.

Resale of TI products or services with statements different from or beyond the parameters stated by TI for that product or service voids all express and any implied warranties for the associated TI product or service and is an unfair and deceptive business practice. TI is not responsible or liable for any such statements.

Following are URLs where you can obtain information on other Texas Instruments products and application solutions:

<b>Products</b>		<b>Applications</b>	
Amplifiers	<a href="http://amplifier.ti.com">amplifier.ti.com</a>	Audio	<a href="http://www.ti.com/audio">www.ti.com/audio</a>
Data Converters	<a href="http://dataconverter.ti.com">dataconverter.ti.com</a>	Automotive	<a href="http://www.ti.com/automotive">www.ti.com/automotive</a>
DSP	<a href="http://dsp.ti.com">dsp.ti.com</a>	Broadband	<a href="http://www.ti.com/broadband">www.ti.com/broadband</a>
Interface	<a href="http://interface.ti.com">interface.ti.com</a>	Digital Control	<a href="http://www.ti.com/digitalcontrol">www.ti.com/digitalcontrol</a>
Logic	<a href="http://logic.ti.com">logic.ti.com</a>	Military	<a href="http://www.ti.com/military">www.ti.com/military</a>
Power Mgmt	<a href="http://power.ti.com">power.ti.com</a>	Optical Networking	<a href="http://www.ti.com/opticalnetwork">www.ti.com/opticalnetwork</a>
Microcontrollers	<a href="http://microcontroller.ti.com">microcontroller.ti.com</a>	Security	<a href="http://www.ti.com/security">www.ti.com/security</a>
		Telephony	<a href="http://www.ti.com/telephony">www.ti.com/telephony</a>
		Video & Imaging	<a href="http://www.ti.com/video">www.ti.com/video</a>
		Wireless	<a href="http://www.ti.com/wireless">www.ti.com/wireless</a>

Mailing Address: Texas Instruments  
Post Office Box 655303 Dallas, Texas 75265