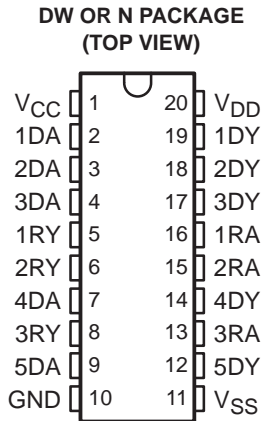


- **Single Chip With Easy Interface Between UART and Serial-Port Connector of an External Modem or Other Computer Peripheral**
- **Five Drivers and Three Receivers Meet or Exceed the Requirements of ANSI Standard TIA/EIA-232-F and ITU Recommendation V.28 Standards**
- **Supports Data Rates up to 120 kbit/s**
- **Complement to the GD75232**
- **Provides Pin-to-Pin Replacement for the Goldstar GD75323**
- **Pin-Out Compatible With SN75196**
- **Functional Replacement for the MC145405**



description

The GD75323 combines five drivers and three receivers from the trade-standard SN75188 and SN75189 bipolar quadruple drivers and receivers, respectively. The flow-through design of the GD75323 decreases the part count, reduces the board space required, and allows easy interconnection of the UART and serial-port connector. The all-bipolar circuits and processing of the GD75323 provide a rugged, low-cost solution for this function.

The GD75323 complies with the requirements of the ANSI TIA/EIA-232-F and ITU (formerly CCITT) V.28 standards. These standards are for data interchange between a host computer and a peripheral at signal rates up to 20 kbit/s. The switching speeds of the GD75323 are fast enough to support rates up to 120 kbit/s with lower capacitive loads (shorter cables). Interoperability at the higher signaling rates cannot be assured unless the designer has design control of the cable and the interface circuits at both ends. For interoperability at signaling rates up to 120 kbit/s, use of ANSI Standard TIA/EIA-423-B and TIA/EIA-422-B and ITU Recommendations V.10 and V.11 are recommended.

The GD75323 is characterized for operation over a temperature range of 0°C to 70°C.



Please be aware that an important notice concerning availability, standard warranty, and use in critical applications of Texas Instruments semiconductor products and disclaimers thereto appears at the end of this data sheet.

PRODUCTION DATA information is current as of publication date. Products conform to specifications per the terms of Texas Instruments standard warranty. Production processing does not necessarily include testing of all parameters.



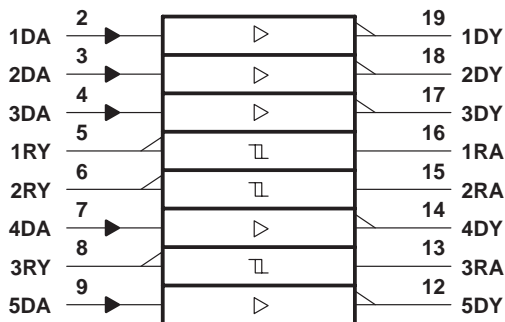
POST OFFICE BOX 655303 • DALLAS, TEXAS 75265

Copyright © 1999, Texas Instruments Incorporated

GD75323 MULTIPLE RS-232 DRIVERS AND RECEIVERS

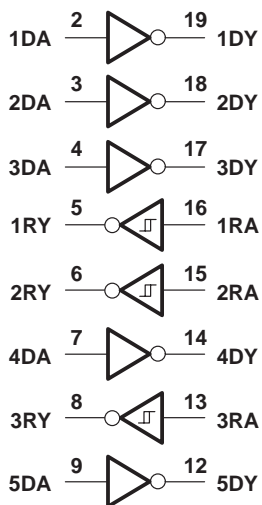
SLLS213A – JANUARY 1996 – REVISED JUNE 1999

logic symbol†

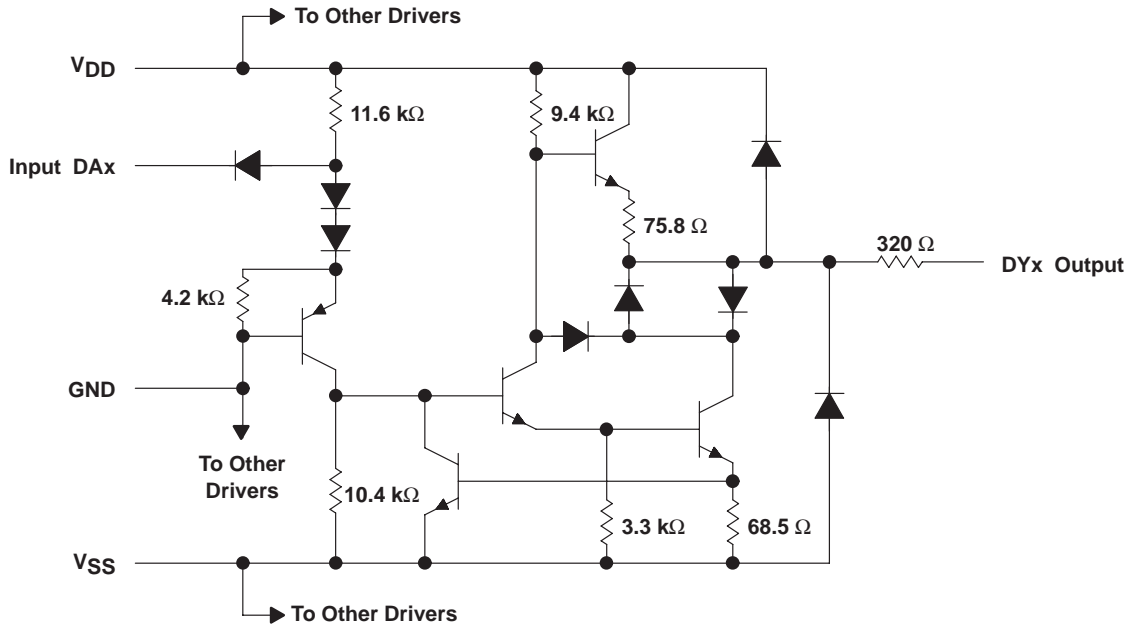


† This symbol is in accordance with ANSI/IEEE Std 91-1984 and IEC Publication 617-12.

logic diagram (positive logic)

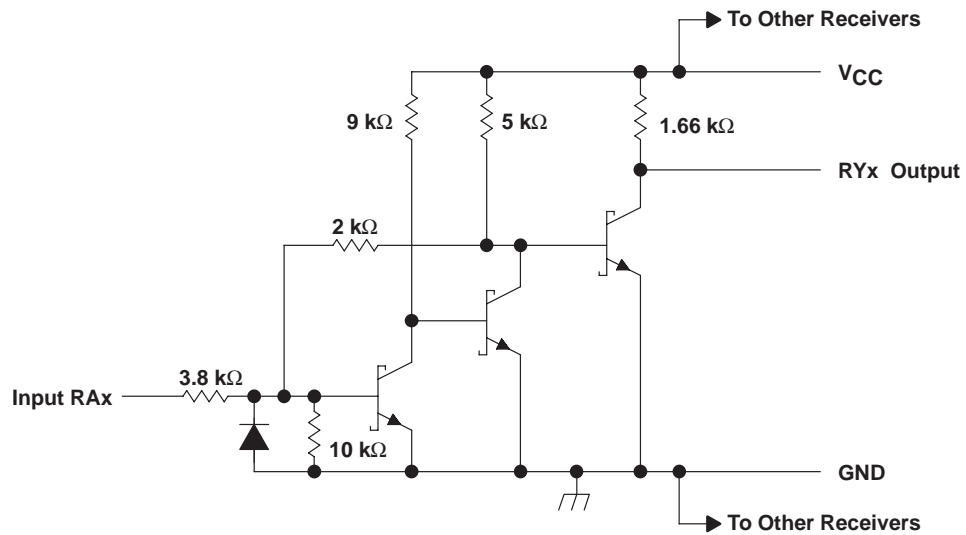


schematic (each driver)



Resistor values shown are nominal.

schematic (each receiver)



Resistor values shown are nominal.

GD75323

MULTIPLE RS-232 DRIVERS AND RECEIVERS

SLLS213A – JANUARY 1996 – REVISED JUNE 1999

absolute maximum ratings over operating free-air temperature range (unless otherwise noted)†

Supply voltage, V_{CC} (see Note 1)	10 V
Supply voltage, V_{DD} (see Note 1)	15 V
Supply voltage, V_{SS} (see Note 1)	-15 V
Input voltage range, V_I : Driver	-15 V to 7 V
Receiver	-30 V to 30 V
Output voltage range, V_O (Driver)	-15 V to 15 V
Low-level output current, I_{OL} (Receiver)	20 mA
Package thermal impedance, θ_{JA} (see Note 2): DW package	97°C/W
N package	67°C/W
Lead temperature 1,6 mm (1/16 inch) from case for 10 seconds	260°C
Storage temperature range, T_{stg}	-65°C to 150°C

† Stresses beyond those listed under “absolute maximum ratings” may cause permanent damage to the device. These are stress ratings only, and functional operation of the device at these or any other conditions beyond those indicated under “recommended operating conditions” is not implied. Exposure to absolute-maximum-rated conditions for extended periods may affect device reliability.

- NOTES: 1. All voltages are with respect to the network ground terminal.
 2. The package thermal impedance is calculated in accordance with JESD 51, except for through-hole packages, which use a trace length of zero.

recommended operating conditions

		MIN	NOM	MAX	UNIT
Supply voltage	V_{DD}	7.5	9	13.5	V
	V_{SS}	-7.5	-9	-13.5	
	V_{CC}	4.5	5	5.5	
High-level input voltage, V_{IH}	Driver	1.9			V
Low-level input voltage, V_{IL}	Driver			0.8	V
High-level output current, I_{OH}	Driver			-6	mA
	Receiver			-0.5	
High-level output current, I_{OL}	Driver			6	mA
	Receiver			16	
Operating free-air temperature, T_A		0		70	°C

supply currents over operating free-air temperature range

PARAMETER	TEST CONDITIONS			MIN	MAX	UNIT
I_{DD} Supply current from V_{DD}	All inputs at 1.9 V, No load	$V_{DD} = 9 V, V_{SS} = -9 V$		25	mA	
		$V_{DD} = 12 V, V_{SS} = -12 V$		32		
	All inputs at 0.8 V, No load	$V_{DD} = 9 V, V_{SS} = -9 V$		7.5	mA	
		$V_{DD} = 12 V, V_{SS} = -12 V$		9.5		
I_{SS} Supply current from V_{SS}	All inputs at 1.9 V, No load	$V_{DD} = 9 V, V_{SS} = -9 V$		-25	mA	
		$V_{DD} = 12 V, V_{SS} = -12 V$		-32		
	All inputs at 0.8 V, No load	$V_{DD} = 9 V, V_{SS} = -9 V$		-5.3	mA	
		$V_{DD} = 12 V, V_{SS} = -12 V$		-5.3		
I_{CC} Supply current from V_{CC}	$V_{CC} = 5 V,$	All inputs at 5 V,	No load	20	mA	



DRIVER SECTION

electrical characteristics over operating free-air temperature range, $V_{DD} = 9\text{ V}$, $V_{SS} = -9\text{ V}$, $V_{CC} = 5\text{ V}$ (unless otherwise noted)

PARAMETER		TEST CONDITIONS			MIN	TYP	MAX	UNIT
V_{OH}	High-level output voltage	$V_{IL} = 0.8\text{ V}$,	$R_L = 3\text{ k}\Omega$,	See Figure 1	6	7.5		V
V_{OL}	Low-level output voltage (see Note 3)	$V_{IH} = 1.9\text{ V}$,	$R_L = 3\text{ k}\Omega$,	See Figure 1		-7.5	-6	V
I_{IH}	High-level input current	$V_I = 5\text{ V}$,	See Figure 2				10	μA
I_{IL}	Low-level input current	$V_I = 0$,	See Figure 2				-1.6	mA
$I_{OS(H)}$	High-level short-circuit output current (see Note 4)	$V_{IL} = 0.8\text{ V}$,	$V_O = 0$,	See Figure 1	-4.5	-9	-19.5	mA
$I_{OS(L)}$	Low-level short-circuit output current	$V_{IH} = 2\text{ V}$,	$V_O = 0$,	See Figure 1	4.5	9	19	mA
r_o	Output resistance (see Note 5)	$V_{CC} = V_{DD} = V_{SS} = 0$,		$V_O = -2\text{ V to } 2\text{ V}$	300			Ω

- NOTES: 3. The algebraic convention, where the more positive (less negative) limit is designated as maximum, is used in this data sheet for logic levels only, e.g., if -10 V is maximum, the typical value is a more negative voltage.
 4. Output short-circuit conditions must maintain the total power dissipation below absolute maximum ratings.
 5. Test conditions are those specified by TIA/EIA-232-F and as listed above.

switching characteristics, $V_{DD} = 12\text{ V}$, $V_{SS} = -12\text{ V}$, $V_{CC} = 5\text{ V} \pm 10\%$, $T_A = 25^\circ\text{C}$

PARAMETER		TEST CONDITIONS		MIN	TYP	MAX	UNIT
t_{PLH}	Propagation delay time, low- to high-level output	$R_L = 3\text{ k}\Omega$ to $7\text{ k}\Omega$, See Figure 3	$C_L = 15\text{ pF}$,		315	500	ns
t_{PHL}	Propagation delay time, high- to low-level output				75	175	ns
t_{TLH}	Transition time, low- to high-level output	$R_L = 3\text{ k}\Omega$ to $7\text{ k}\Omega$, See Figure 3	$C_L = 15\text{ pF}$,		60	100	ns
					1.7	2.5	μs
t_{THL}	Transition time, high- to low-level output (see Note 5)	$R_L = 3\text{ k}\Omega$ to $7\text{ k}\Omega$, See Figure 3	$C_L = 15\text{ pF}$,		40	75	ns
					1.5	2.5	μs

- NOTES: 6. Measured between -3-V and 3-V points of the output waveform (TIA/EIA-232-F conditions), all unused inputs are tied either high or low.
 7. Measured between 3-V and -3-V points of the output waveform (TIA/EIA-232-F conditions), all unused inputs are tied either high or low.

GD75323 MULTIPLE RS-232 DRIVERS AND RECEIVERS

SLLS213A – JANUARY 1996 – REVISED JUNE 1999

RECEIVER SECTION

electrical characteristics over recommended operating conditions (unless otherwise noted)

PARAMETER		TEST CONDITIONS		MIN	TYP†	MAX	UNIT
V _{IT+}	Positive-going input threshold voltage	See Figure 5	T _A = 25°C	1.75	1.9	2.3	V
			T _A = 0°C to 70 °C	1.55		2.3	
V _{IT-}	Negative-going input threshold voltage	See Figure 5		0.75	0.97	1.25	V
V _{hys}	Input hysteresis voltage (V _{IT+} - V _{IT-})			0.5			
V _{OH}	High-level output voltage	I _{OH} = -0.5 mA	V _{IH} = 0.75 V	2.6	4	5	V
			Inputs open	2.6			
V _{OL}	Low-level output voltage	I _{OL} = 10 mA, V _I = 3 V		0.2	0.45	V	
I _{IH}	High-level input current	V _I = 25 V, See Figure 5		3.6		8.3	mA
		V _I = 3 V, See Figure 5		0.43			
I _{IL}	Low-level input current	V _I = -25 V, See Figure 5		-3.6		-8.3	mA
		V _I = -3 V, See Figure 5		-0.43			
I _{OS}	Short-circuit output current	See Figure 4		-3.4		-12	mA

† All typical values are at T_A = 25°C, V_{CC} = 5 V, V_{DD} = 9 V, and V_{SS} = -9 V.

switching characteristics, V_{CC} = 5 V, V_{DD} = 12 V, V_{SS} = -12 V, T_A = 25°C

PARAMETER		TEST CONDITIONS		MIN	TYP	MAX	UNIT
t _{PLH}	Propagation delay time, low- to high-level output	C _L = 50 pF, R _L = 5 kΩ, See Figure 6			107	500	ns
t _{PHL}	Propagation delay time, high- to low-level output				42	150	ns
t _{TLH}	Transition time, low- to high-level output				175	525	ns
t _{THL}	Transition time, high- to low-level output				16	60	ns

PARAMETER MEASUREMENT INFORMATION

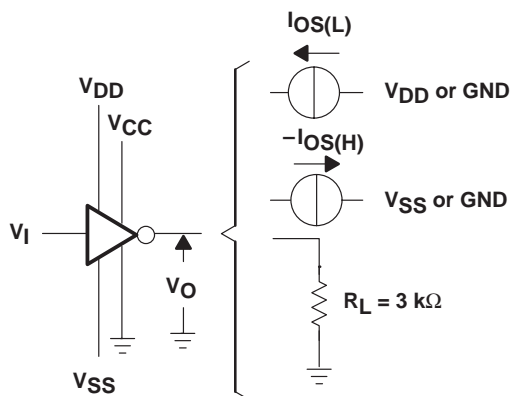


Figure 1. Driver Test Circuit for V_{OH}, V_{OL}, I_{OS(H)}, and I_{OS(L)}

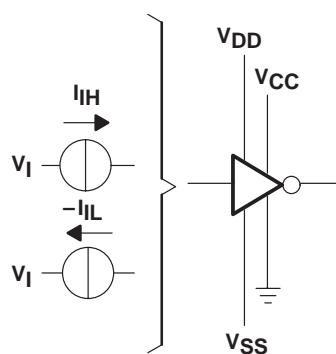
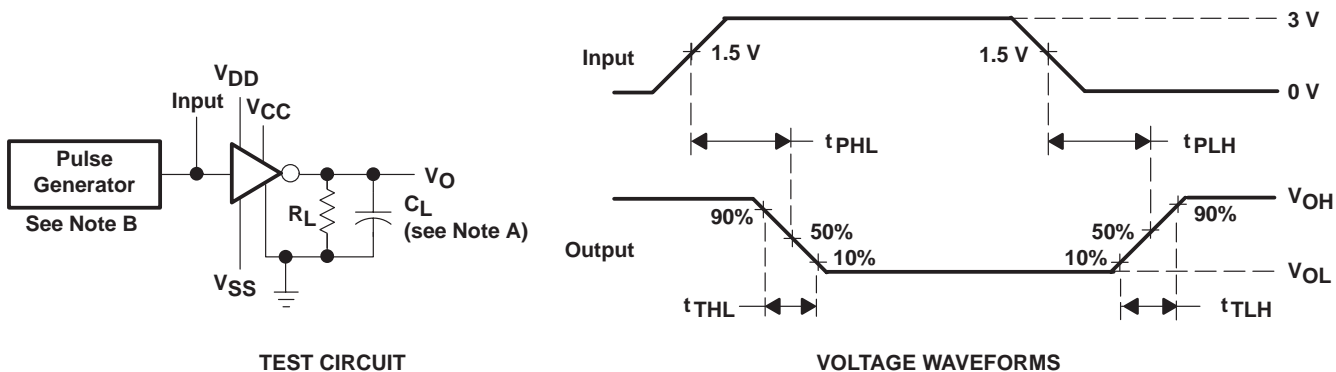


Figure 2. Driver Test Circuit for I_{IH} and I_{IL}

PARAMETER MEASUREMENT INFORMATION



NOTES: A. C_L includes probe and jig capacitance.
 B. The pulse generator has the following characteristics: $t_w = 25 \mu s$, $PRR = 20 \text{ kHz}$, $Z_O = 50 \Omega$, $t_r = t_f < 50 \text{ ns}$.

Figure 3. Driver Test Circuit and Voltage Waveforms

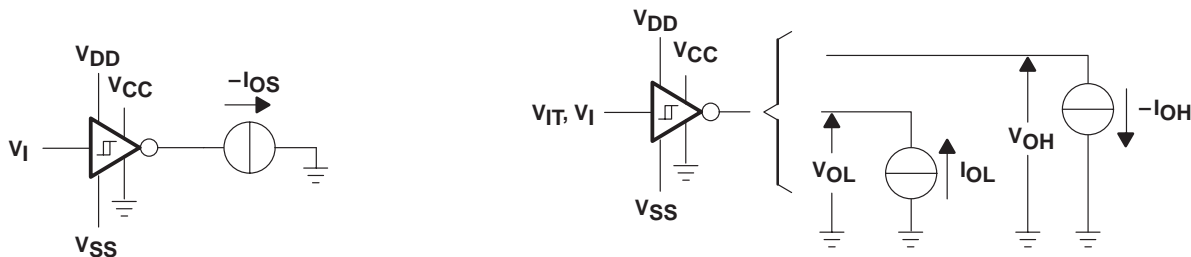
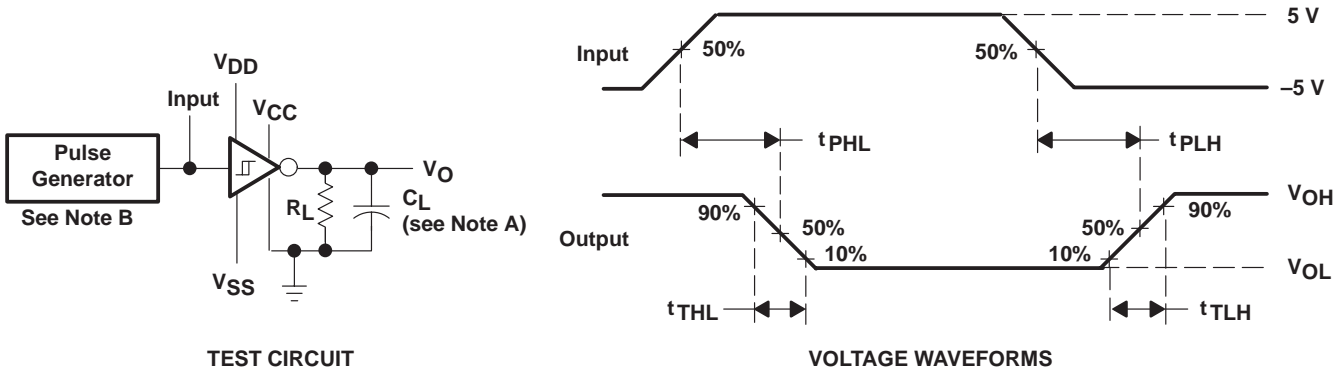


Figure 4. Receiver Test Circuit for I_{OS}

Figure 5. Receiver Test Circuit for V_{IT} , V_{OH} , and V_{OL}



NOTES: A. C_L includes probe and jig capacitance.
 B. The pulse generator has the following characteristics: $t_w = 25 \mu s$, $PRR = 20 \text{ kHz}$, $Z_O = 50 \Omega$, $t_r = t_f < 50 \text{ ns}$.

Figure 6. Receiver Propagation and Transition Times

TYPICAL CHARACTERISTICS
 DRIVER SECTION

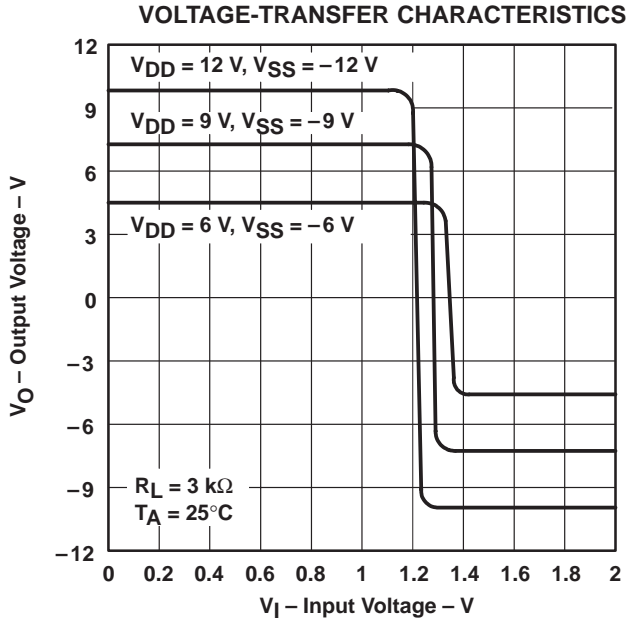


Figure 7

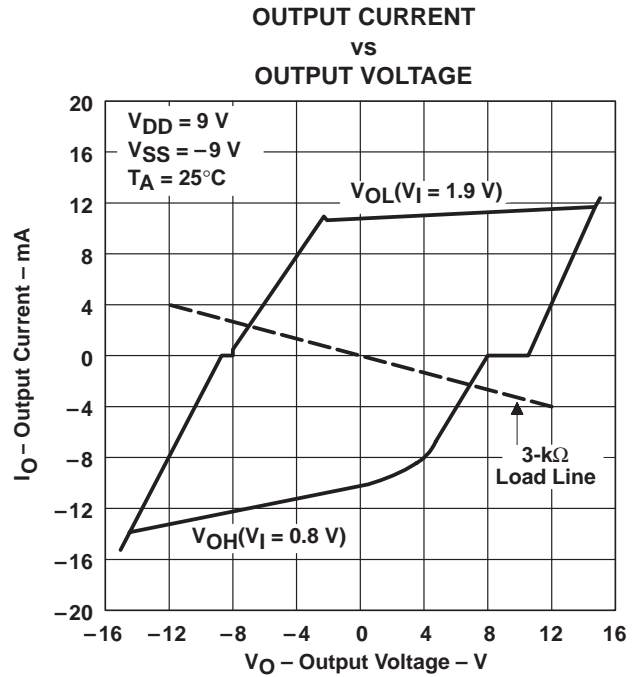


Figure 8

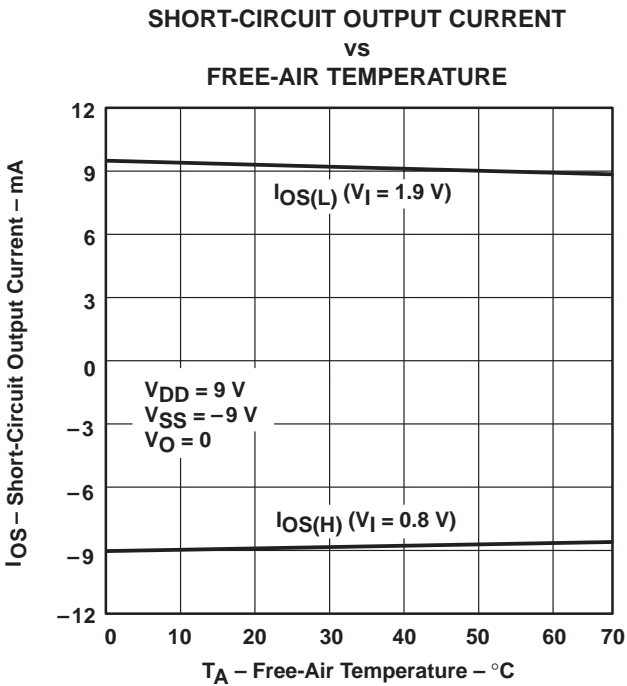


Figure 9

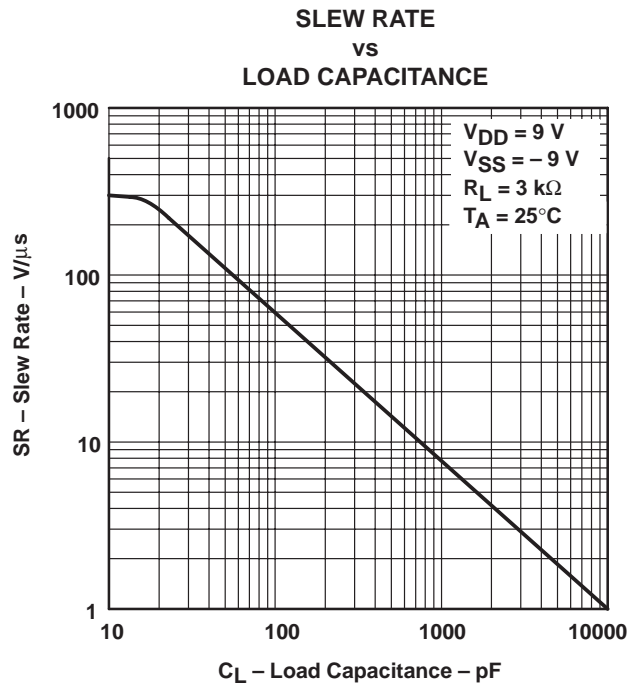


Figure 10

TYPICAL CHARACTERISTICS
 RECEIVER SECTION

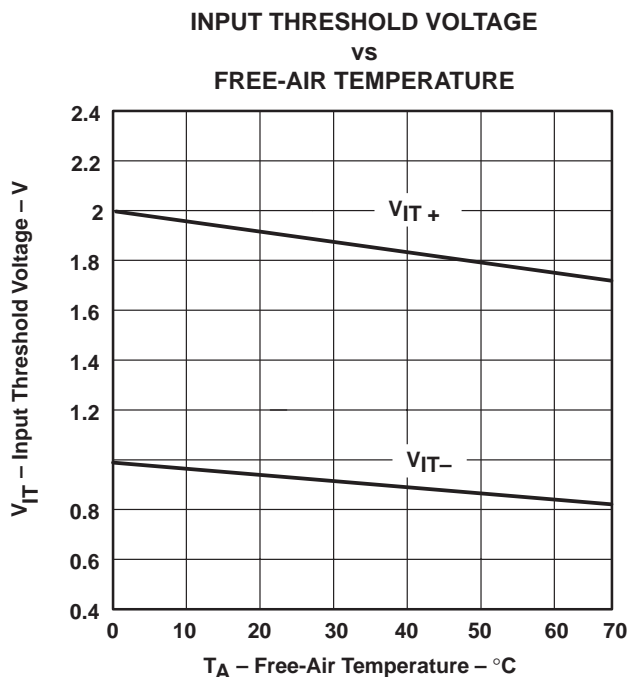


Figure 11

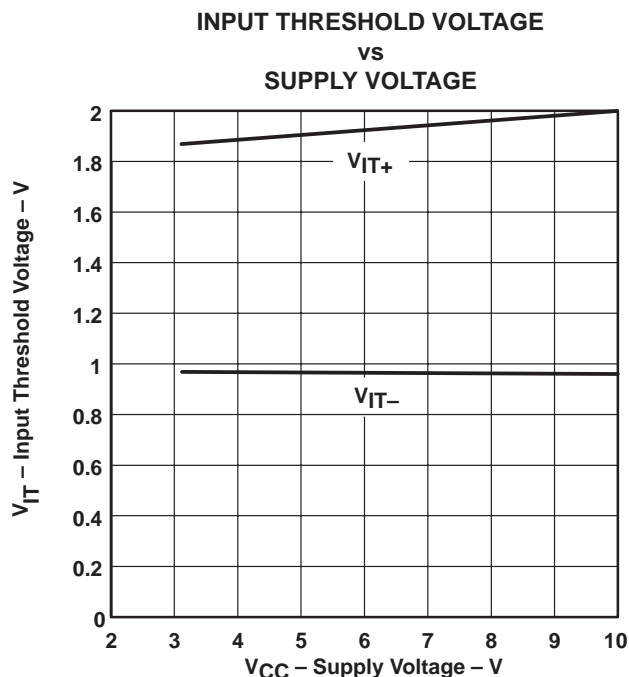
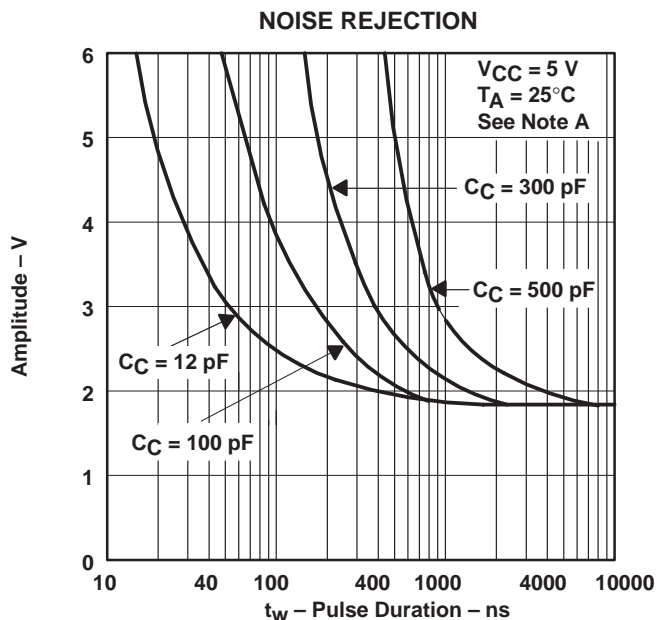


Figure 12



NOTE A: This figure shows the maximum amplitude of a positive-going pulse that, starting from 0 V, does not cause a change of the output level.

Figure 13

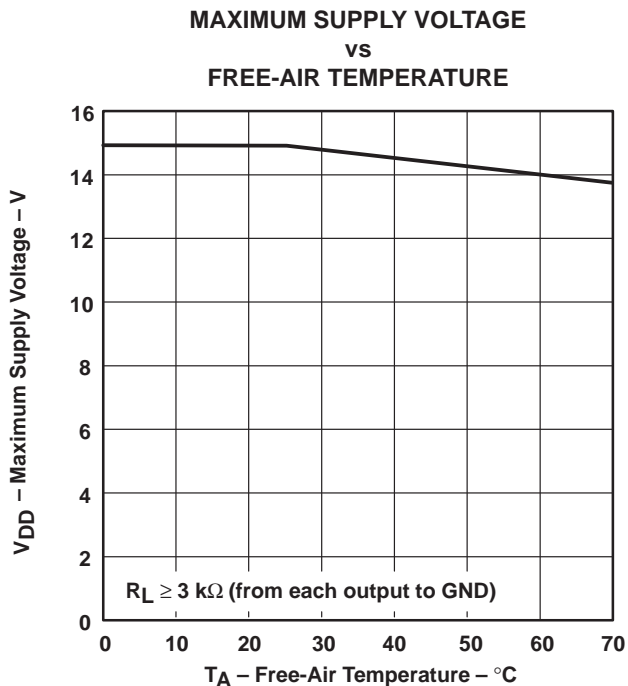


Figure 14

GD75323

MULTIPLE RS-232 DRIVERS AND RECEIVERS

SLLS213A – JANUARY 1996 – REVISED JUNE 1999

APPLICATION INFORMATION

Diodes placed in series with the V_{DD} and V_{SS} leads protect the GD75323 in the fault condition in which the device outputs are shorted to V_{DD} or V_{SS} , and the power supplies are at low and provide low-impedance paths to ground (see Figure 15).

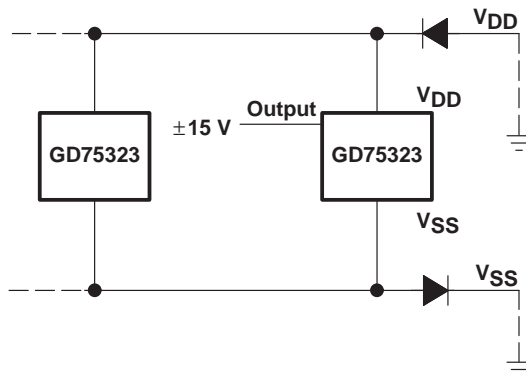
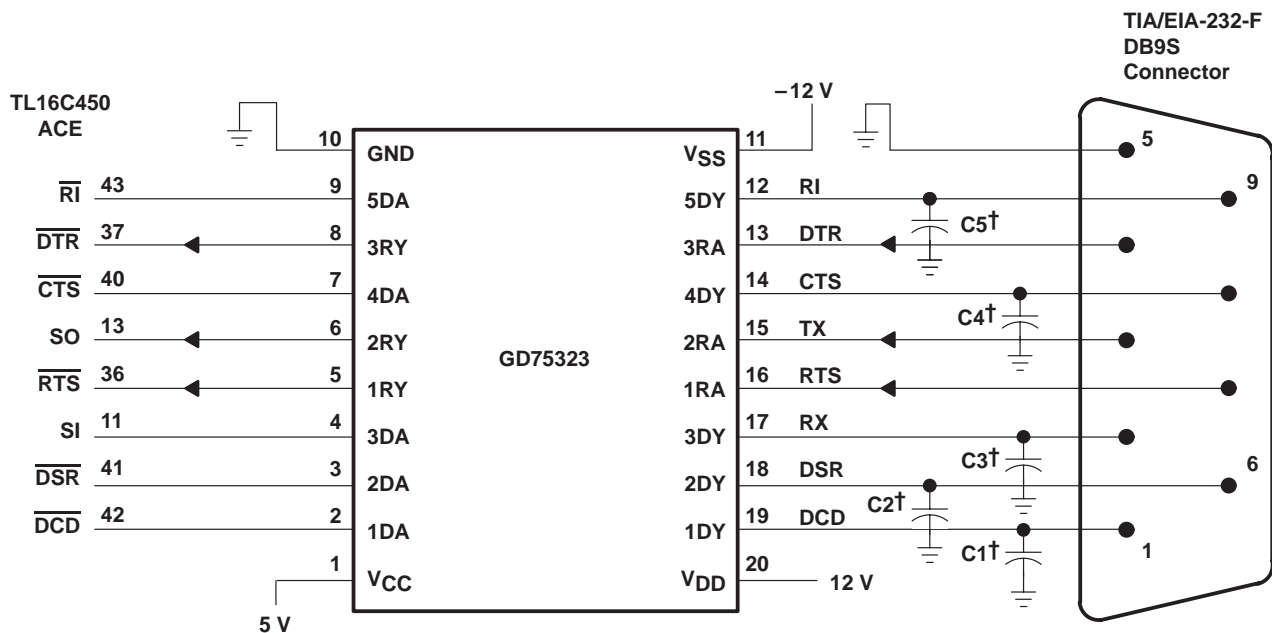


Figure 15. Power-Supply Protection to Meet Power-Off Fault Conditions of TIA/EIA-232-F



† See Figure 10 to select the correct values for the loading capacitors (C1, C2, C3, C4, and C5), which may be required to meet the RS-232 maximum slew-rate requirement of 30 V/μs. The value of the loading capacitors required depends upon the line length and desired slew rate, but is typically 330 pF.

NOTE C: To use the receivers only, V_{DD} and V_{SS} both must be powered or tied to ground.

Figure 16. Typical Connection

PACKAGING INFORMATION

Orderable Device	Status ⁽¹⁾	Package Type	Package Drawing	Pins	Package Qty	Eco Plan ⁽²⁾	Lead/Ball Finish	MSL Peak Temp ⁽³⁾
GD75323DW	ACTIVE	SOIC	DW	20	25	Pb-Free (RoHS)	CU NIPDAU	Level-2-250C-1 YEAR/ Level-1-235C-UNLIM
GD75323DWR	ACTIVE	SOIC	DW	20	2000	Pb-Free (RoHS)	CU NIPDAU	Level-2-250C-1 YEAR/ Level-1-235C-UNLIM
GD75323N	OBSOLETE	PDIP	N	20		None	Call TI	Call TI

⁽¹⁾ The marketing status values are defined as follows:

ACTIVE: Product device recommended for new designs.

LIFEBUY: TI has announced that the device will be discontinued, and a lifetime-buy period is in effect.

NRND: Not recommended for new designs. Device is in production to support existing customers, but TI does not recommend using this part in a new design.

PREVIEW: Device has been announced but is not in production. Samples may or may not be available.

OBSOLETE: TI has discontinued the production of the device.

⁽²⁾ Eco Plan - May not be currently available - please check <http://www.ti.com/productcontent> for the latest availability information and additional product content details.

None: Not yet available Lead (Pb-Free).

Pb-Free (RoHS): TI's terms "Lead-Free" or "Pb-Free" mean semiconductor products that are compatible with the current RoHS requirements for all 6 substances, including the requirement that lead not exceed 0.1% by weight in homogeneous materials. Where designed to be soldered at high temperatures, TI Pb-Free products are suitable for use in specified lead-free processes.

Green (RoHS & no Sb/Br): TI defines "Green" to mean "Pb-Free" and in addition, uses package materials that do not contain halogens, including bromine (Br) or antimony (Sb) above 0.1% of total product weight.

⁽³⁾ MSL, Peak Temp. -- The Moisture Sensitivity Level rating according to the JEDEC industry standard classifications, and peak solder temperature.

Important Information and Disclaimer: The information provided on this page represents TI's knowledge and belief as of the date that it is provided. TI bases its knowledge and belief on information provided by third parties, and makes no representation or warranty as to the accuracy of such information. Efforts are underway to better integrate information from third parties. TI has taken and continues to take reasonable steps to provide representative and accurate information but may not have conducted destructive testing or chemical analysis on incoming materials and chemicals. TI and TI suppliers consider certain information to be proprietary, and thus CAS numbers and other limited information may not be available for release.

In no event shall TI's liability arising out of such information exceed the total purchase price of the TI part(s) at issue in this document sold by TI to Customer on an annual basis.

N (R-PDIP-T**)

PLASTIC DUAL-IN-LINE PACKAGE

16 PINS SHOWN



- NOTES:
- A. All linear dimensions are in inches (millimeters).
 - B. This drawing is subject to change without notice.
 - Falls within JEDEC MS-001, except 18 and 20 pin minimum body length (Dim A).
 - The 20 pin end lead shoulder width is a vendor option, either half or full width.

DW (R-PDSO-G20)

PLASTIC SMALL-OUTLINE PACKAGE



- NOTES:
- A. All linear dimensions are in inches (millimeters).
 - B. This drawing is subject to change without notice.
 - C. Body dimensions do not include mold flash or protrusion not to exceed 0.006 (0,15).
 - D. Falls within JEDEC MS-013 variation AC.

IMPORTANT NOTICE

Texas Instruments Incorporated and its subsidiaries (TI) reserve the right to make corrections, modifications, enhancements, improvements, and other changes to its products and services at any time and to discontinue any product or service without notice. Customers should obtain the latest relevant information before placing orders and should verify that such information is current and complete. All products are sold subject to TI's terms and conditions of sale supplied at the time of order acknowledgment.

TI warrants performance of its hardware products to the specifications applicable at the time of sale in accordance with TI's standard warranty. Testing and other quality control techniques are used to the extent TI deems necessary to support this warranty. Except where mandated by government requirements, testing of all parameters of each product is not necessarily performed.

TI assumes no liability for applications assistance or customer product design. Customers are responsible for their products and applications using TI components. To minimize the risks associated with customer products and applications, customers should provide adequate design and operating safeguards.

TI does not warrant or represent that any license, either express or implied, is granted under any TI patent right, copyright, mask work right, or other TI intellectual property right relating to any combination, machine, or process in which TI products or services are used. Information published by TI regarding third-party products or services does not constitute a license from TI to use such products or services or a warranty or endorsement thereof. Use of such information may require a license from a third party under the patents or other intellectual property of the third party, or a license from TI under the patents or other intellectual property of TI.

Reproduction of information in TI data books or data sheets is permissible only if reproduction is without alteration and is accompanied by all associated warranties, conditions, limitations, and notices. Reproduction of this information with alteration is an unfair and deceptive business practice. TI is not responsible or liable for such altered documentation.

Resale of TI products or services with statements different from or beyond the parameters stated by TI for that product or service voids all express and any implied warranties for the associated TI product or service and is an unfair and deceptive business practice. TI is not responsible or liable for any such statements.

Following are URLs where you can obtain information on other Texas Instruments products and application solutions:

Products		Applications	
Amplifiers	amplifier.ti.com	Audio	www.ti.com/audio
Data Converters	dataconverter.ti.com	Automotive	www.ti.com/automotive
DSP	dsp.ti.com	Broadband	www.ti.com/broadband
Interface	interface.ti.com	Digital Control	www.ti.com/digitalcontrol
Logic	logic.ti.com	Military	www.ti.com/military
Power Mgmt	power.ti.com	Optical Networking	www.ti.com/opticalnetwork
Microcontrollers	microcontroller.ti.com	Security	www.ti.com/security
		Telephony	www.ti.com/telephony
		Video & Imaging	www.ti.com/video
		Wireless	www.ti.com/wireless

Mailing Address: Texas Instruments
Post Office Box 655303 Dallas, Texas 75265