

PFET Buck Controller for High Power LED Drivers

Check for Samples: [LM3409](#), [LM3409HV](#), [LM3409-Q1](#)

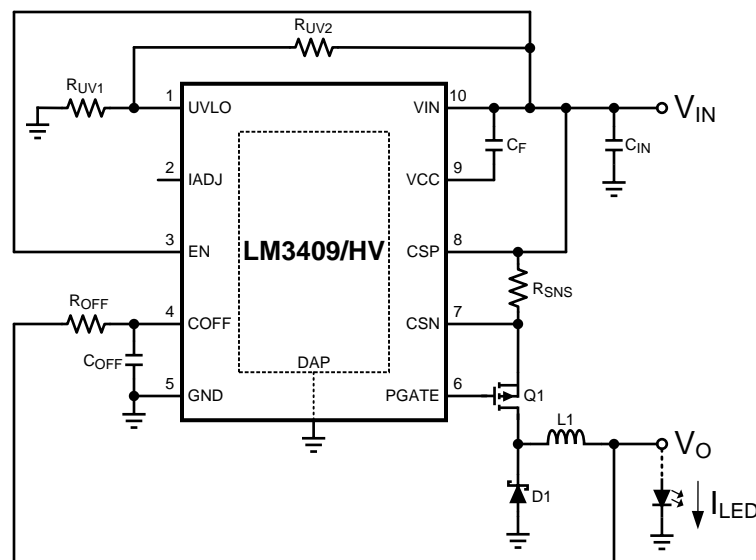
FEATURES

- **LM3409Q/LM3409QHV is an Automotive Grade Product That is AEC-Q100 Grade 1 Qualified**
- **2Ω, 1A Peak MosFET Gate Drive**
- **V_{IN} Range: 6V to 42V (LM3409/LM3409Q/LM3409N)**
- **V_{IN} Range: 6V to 75V (LM3409HV/LM3409QHV)**
- **Differential, High-side Current Sense**
- **Cycle-by-Cycle Current Limit**
- **No Control Loop Compensation Required**
- **10,000:1 PWM Dimming Range**
- **250:1 Analog Dimming Range**
- **Supports All-Ceramic Output Capacitors and Capacitor-less Outputs**
- **Low Power Shutdown and Thermal Shutdown**
- **Thermally Enhanced VSSOP-10 Package**
- **Dual Inline Package (LM3409N)**

APPLICATIONS

- **LED Driver**
- **Constant Current Source**
- **Automotive Lighting**
- **General Illumination**

Typical Application



DESCRIPTION

The LM3409/09N/09HV/09Q/09QHV are P-channel MosFET (PFET) controllers for step-down (buck) current regulators. They offer wide input voltage range, high-side differential current sense with low adjustable threshold voltage and fast output enable/disable function and a thermally enhanced VSSOP-10 package. These features combine to make the LM3409 family of devices ideal for use as constant current sources for driving LEDs where forward currents up to 5A are easily achievable.

The LM3409 devices use Constant Off-Time (COFT) control to regulate an accurate constant current without the need for external control loop compensation. Analog and PWM dimming are easy to implement and result in a highly linear dimming range with excellent achievable contrast ratios. Programmable UVLO, low-power shutdown, and thermal shutdown complete the feature set.

The LM3409/09Q/09N have an operational input voltage range up to 42V, while the LM3409HV/QHV are high voltage options with an input voltage range up to 75V. The LM3409/09HV/09Q/09QHV come in a thermally enhanced 10-lead VSSOP package, while the LM3409N comes in a 14-lead PDIP package. The LM3409Q/LM3409QHV are automotive grade products that are AEC-Q100 grade 1 qualified.



Please be aware that an important notice concerning availability, standard warranty, and use in critical applications of Texas Instruments semiconductor products and disclaimers thereto appears at the end of this data sheet.

All trademarks are the property of their respective owners.

Connection Diagram

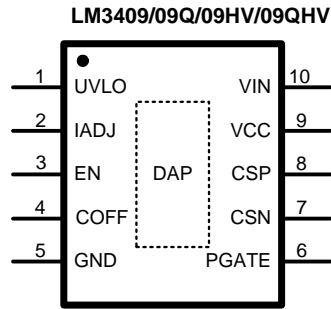


Figure 1. 10-Lead VSSOP Package

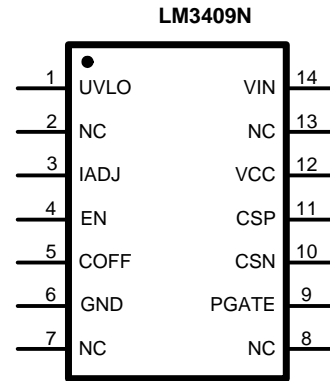


Figure 2. 14-Lead PDIP Package

PIN DESCRIPTIONS

Pins		Name	Description	Application Information
PDIP	VSSOP			
1	1	UVLO	Input under-voltage lockout	Connect to a resistor divider from V_{IN} and GND. Turn-on threshold is 1.24V and hysteresis for turn-off is provided by a 22 μ A current source.
3	2	IADJ	Analog LED current adjust	Apply a voltage between 0 - 1.24V, connect a resistor to GND, or leave open to set the current sense threshold voltage.
4	3	EN	Logic level enable / PWM dimming	Apply a voltage >1.74V to enable device, a PWM signal to dim, or a voltage <0.5V for low power shutdown.
5	4	COFF	Off-time programming	Connect resistor from V_O , capacitor to GND to set off-time.
6	5	GND	Ground	Connect to system ground.
9	6	PGATE	Gate drive	Connect to gate of external PFET.
10	7	CSN	Negative current sense	Connect to negative side of sense resistor.
11	8	CSP	Positive current sense	Connect to positive side of sense resistor (also to V_{IN}).
12	9	VCC	V_{IN} -referenced linear regulator output	Connect at least a 1 μ F ceramic capacitor to V_{IN} . The regulator provides power for the PFET drive.
14	10	VIN	Input voltage	Connect to the input voltage.
	DAP	DAP	Thermal pad on bottom of IC	Connect to GND pin. Place 4-6 vias from DAP to GND plane.



These devices have limited built-in ESD protection. The leads should be shorted together or the device placed in conductive foam during storage or handling to prevent electrostatic damage to the MOS gates.

Absolute Maximum Ratings LM3409/09N/09Q/09HV/09QHV ⁽¹⁾⁽²⁾

VIN, EN, UVLO to GND		-0.3V to 45V (76V LM3409HV/09QHV)
VIN to VCC, PGATE		-0.3V to 7V
VIN to PGATE		-2.8V for 100ns 9.5V for 100ns
VIN to CSP, CSN		-0.3V to 0.3V
COFF to GND		-0.3V to 4V
COFF current		±1 mA continuous
IADJ Current		±5 mA continuous
Junction Temperature		150°C
Storage Temperature Range		-65°C to 125°C
ESD Rating ⁽³⁾	LM3409/09N/09HV	1 kV
	LM3409Q/09QHV	2 kV
Soldering Information	Lead Temperature (Soldering, 10sec)	260°C
	Infrared/Convection Reflow (15sec)	260°C

- (1) Absolute Maximum Ratings indicate limits beyond which damage to the device may occur, including inoperability and degradation of device reliability and/or performance. Functional operation of the device and/or non-degradation at the Absolute Maximum Ratings or other conditions beyond those indicated in the Operating Ratings is not implied. The recommended Operating Ratings indicate conditions at which the device is functional and the device should not be operated beyond such conditions.
- (2) If Military/Aerospace specified devices are required, please contact the Texas Instruments Sales Office/Distributors for availability and specifications.
- (3) The human body model is a 100 pF capacitor discharged through a 1.5 kΩ resistor into each pin.

Operating Ratings (LM3409/09N/09Q/09HV/09QHV) ⁽¹⁾

VIN		6V to 42V (75V LM3409HV/09QHV)
Junction Temperature Range		-40°C to +125°C

- (1) Absolute Maximum Ratings indicate limits beyond which damage to the device may occur, including inoperability and degradation of device reliability and/or performance. Functional operation of the device and/or non-degradation at the Absolute Maximum Ratings or other conditions beyond those indicated in the Operating Ratings is not implied. The recommended Operating Ratings indicate conditions at which the device is functional and the device should not be operated beyond such conditions.

Electrical Characteristics LM3409/09N/09Q/09HV/09QHV

$V_{IN} = 24V$ unless otherwise indicated. Typical values and limits appearing in plain type apply for $T_A = T_J = +25^\circ C$ ⁽¹⁾. Limits appearing in **boldface type** apply over full Operating Temperature Range. Datasheet min/max specification limits are specified by design, test, or statistical analysis.

Symbol	Parameter	Conditions	Min ⁽²⁾	Typ ⁽¹⁾	Max ⁽²⁾	Units
PEAK CURRENT COMPARATOR						
V_{CST}	$V_{CSP} - V_{CSN}$ average peak current threshold ⁽³⁾	$V_{ADJ} = 1.0V$	188	198	208	mV
		$V_{ADJ} = V_{ADJ-OC}$	231	246	261	
A_{ADJ}	V_{ADJ} to $V_{CSP} - V_{CSN}$ threshold gain	$0.1 < V_{ADJ} < 1.2V$ $V_{ADJ} = V_{ADJ-OC}$		0.2		V/V
V_{ADJ-OC}	IADJ pin open circuit voltage		1.189	1.243	1.297	V
I_{ADJ}	IADJ pin current		3.8	5	6.4	μA
t_{DEL}	CSN pin falling delay	CSN fall - PGATE rise		38		ns
SYSTEM CURRENTS						
I_{IN}	Operating current	Not switching		2		mA
I_{SD}	Shutdown hysteresis current	EN = 0V		110		μA
PFET DRIVER						

- (1) Typical values represent most likely parametric norms at the conditions specified and are not ensured.
- (2) Min and Max limits are 100% production tested at 25°C. Limits over the operating temperature range are specified through correlation using Statistical Quality Control (SQC) methods. Limits are used to calculate Texas Instrument's Average Outgoing Quality Level (AOQL).
- (3) The current sense threshold limits are calculated by averaging the results from the two polarities of the high-side differential amplifier.

Electrical Characteristics LM3409/09N/09Q/09HV/09QHV (continued)

$V_{IN} = 24V$ unless otherwise indicated. Typical and limits appearing in plain type apply for $T_A = T_J = +25^\circ C$ ⁽¹⁾. Limits appearing in **boldface type** apply over full Operating Temperature Range. Datasheet min/max specification limits are specified by design, test, or statistical analysis.

Symbol	Parameter	Conditions	Min ⁽²⁾	Typ ⁽¹⁾	Max ⁽²⁾	Units
R _{PGATE}	Driver output resistance	Sourcing 50 mA		2		Ω
		Sinking 50 mA		2		
VCC REGULATOR						
V _{CC}	V _{IN} pin voltage - V _{CC} pin voltage	V _{IN} > 9V 0 < I _{CC} < 20 mA	5.5	6	6.5	V
V _{CC-UVLO}	V _{CC} under voltage lockout threshold	V _{CC} increasing		3.73		V
V _{CC-HYS}	V _{CC} UVLO hysteresis	V _{CC} decreasing		283		mV
I _{CC-LIM}	V _{CC} regulator current limit		30	45		mA
OFF-TIMER AND ON-TIMER						
V _{OFT}	Off-time threshold		1.122	1.243	1.364	V
t _{D-OFF}	COFF threshold to PGATE falling delay			25		ns
t _{ON-MIN}	Minimum on-time			115	211	ns
t _{OFF-MAX}	Maximum off-time			300		μs
UNDER VOLTAGE LOCKOUT						
I _{UVLO}	UVLO pin current	V _{UVLO} = 1V		10		nA
V _{UVLO-R}	Rising UVLO threshold		1.175	1.243	1.311	V
I _{UVLO-HYS}	UVLO hysteresis current			22		μA
ENABLE						
I _{EN}	EN pin current			10		nA
V _{EN-TH}	EN pin threshold	V _{EN} rising			1.74	V
		V _{EN} falling	.5			
V _{EN-HYS}	EN pin hysteresis			420		mV
t _{EN-R}	EN pin rising delay	EN rise - PGATE fall		42		ns
t _{EN-F}	EN pin falling delay	EN fall - PGATE rise		21		ns
THERMAL RESISTANCE						
θ _{JA}	Junction to Ambient	VSSOP-10 Package ⁽⁴⁾		50		°C/W
		PDIP-14 Package		87		
θ _{JC}	Junction to Case	VSSOP-10 Package ⁽⁴⁾		15		
		PDIP-14 Package		37		

(4) Measured with DAP soldered to a minimum of 2 square inches of 1oz. copper on the top or bottom PCB layer. Actual value will be different depending upon the application environment.

Typical Performance Characteristics

$T_A = +25^\circ\text{C}$, $V_{IN} = 24\text{V}$, and characteristics are identical for LM3409 and LM3409HV unless otherwise specified.

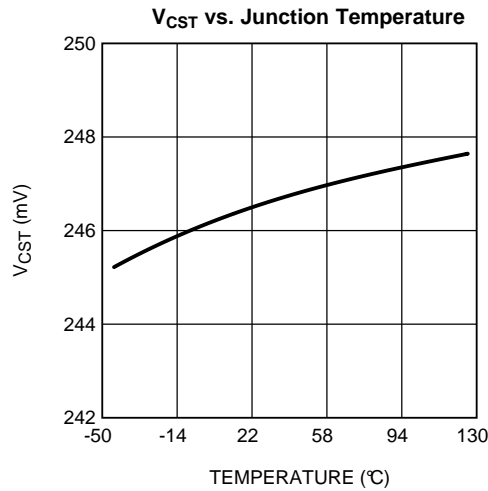


Figure 3.

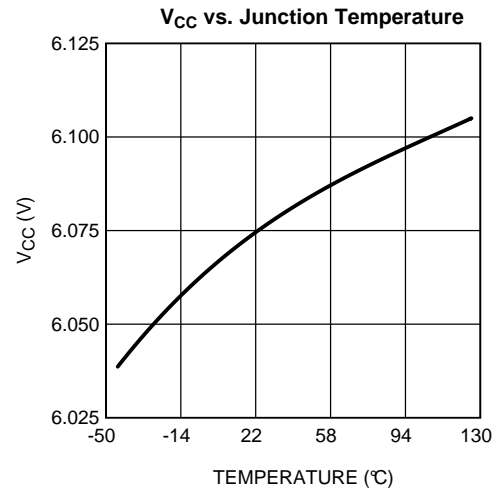


Figure 4.

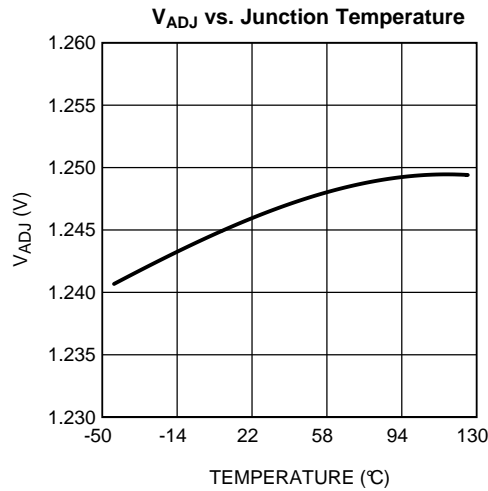


Figure 5.

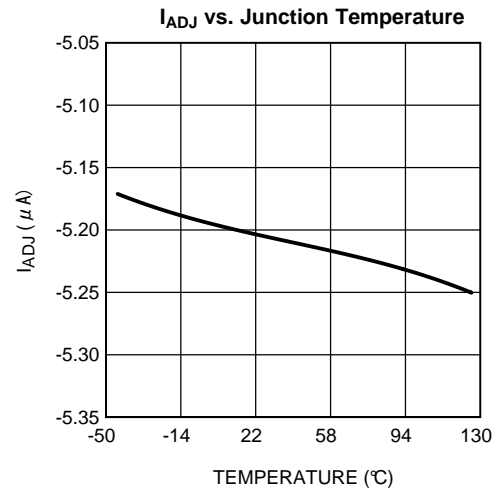


Figure 6.

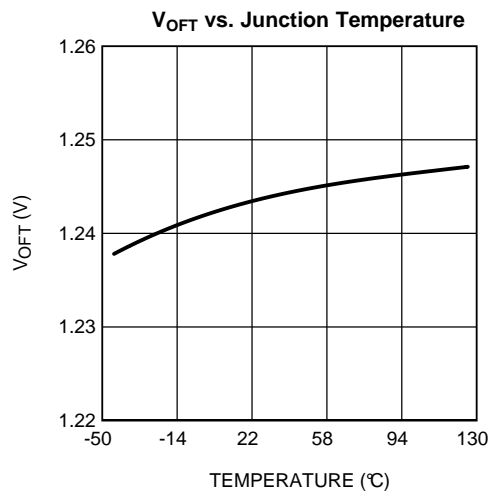


Figure 7.

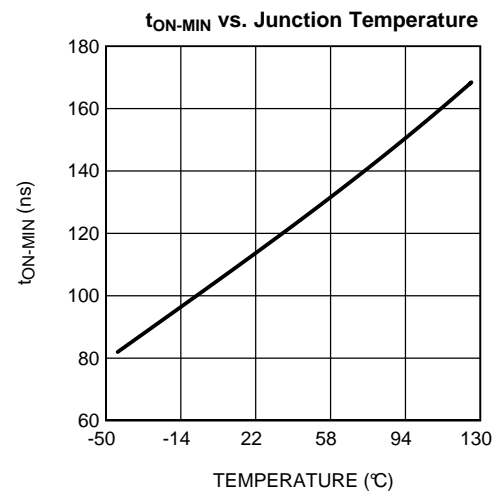


Figure 8.

Typical Performance Characteristics (continued)

$T_A = +25^\circ\text{C}$, $V_{IN} = 24\text{V}$, and characteristics are identical for LM3409 and LM3409HV unless otherwise specified.

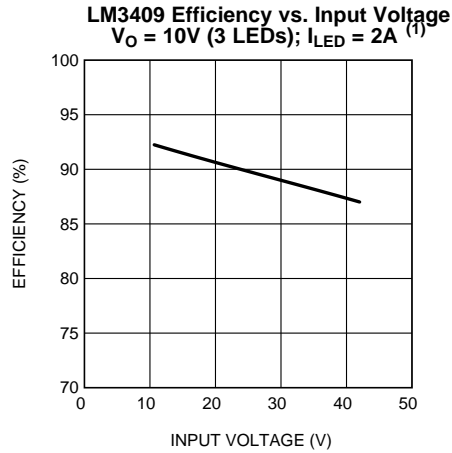


Figure 9.

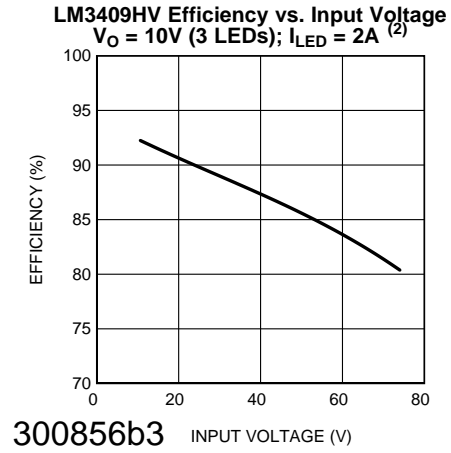


Figure 10.

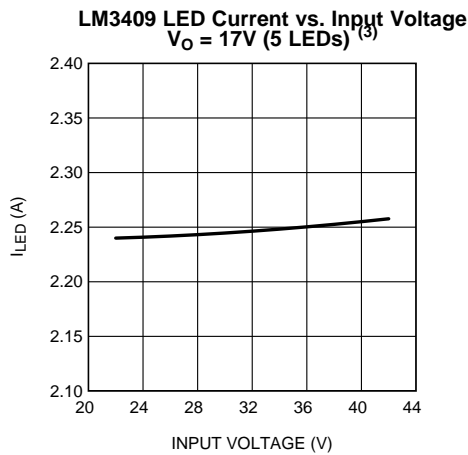


Figure 11.

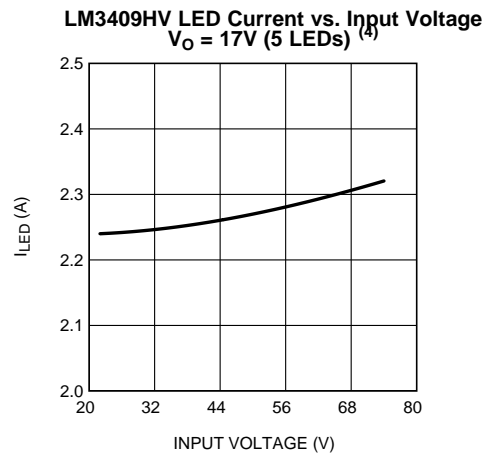


Figure 12.

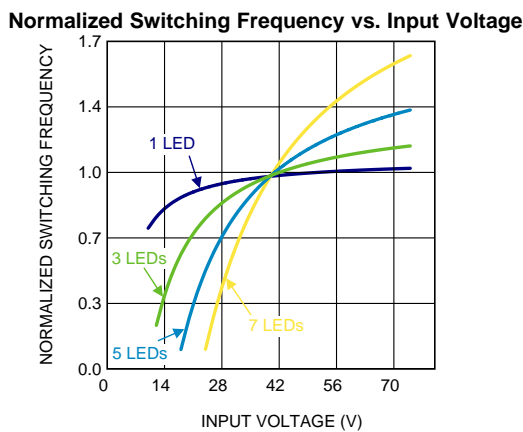


Figure 13.

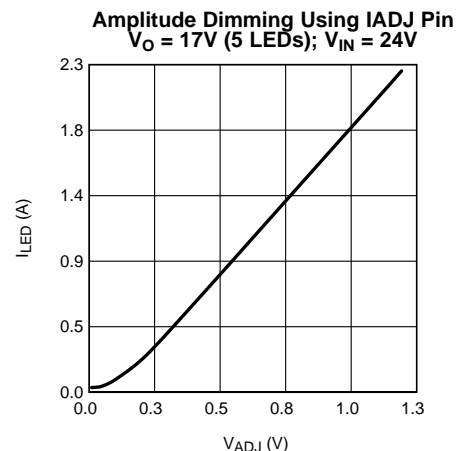


Figure 14.

- (1) The measurements were made using the Bill of Materials from Design #3 except the LM3409 was substituted for the LM3409HV.
- (2) The measurements were made using the Bill of Materials from Design #3.
- (3) The measurements were made using the Bill of Materials from Design #3 except the LM3409 was substituted for the LM3409HV.
- (4) The measurements were made using the Bill of Materials from Design #3.

Typical Performance Characteristics (continued)

$T_A = +25^\circ\text{C}$, $V_{IN} = 24\text{V}$, and characteristics are identical for LM3409 and LM3409HV unless otherwise specified.

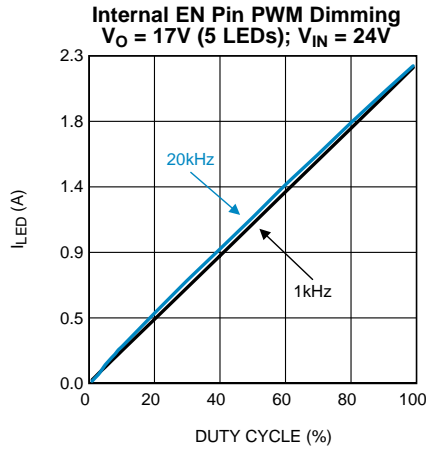


Figure 15.

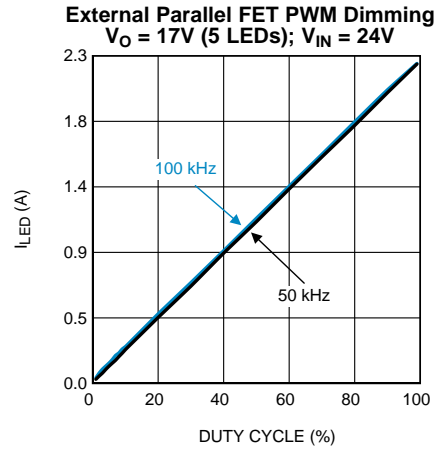


Figure 16.

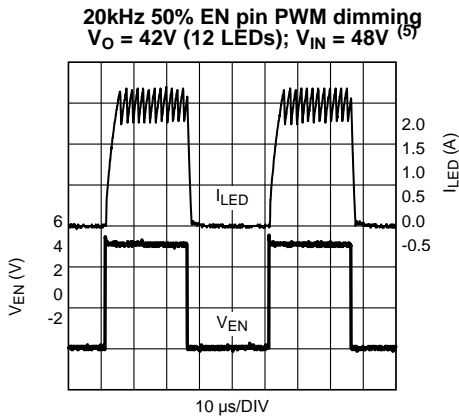


Figure 17.

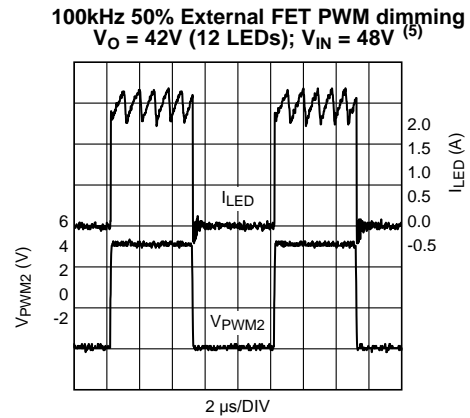


Figure 18.

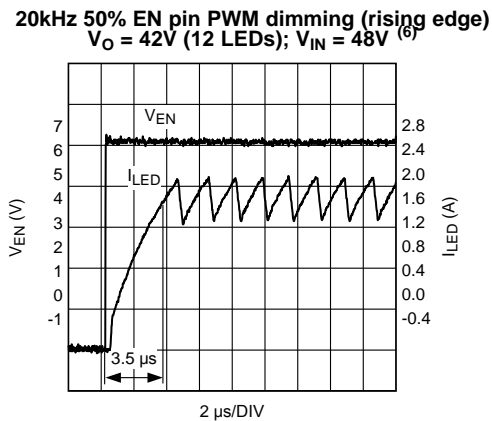


Figure 19.

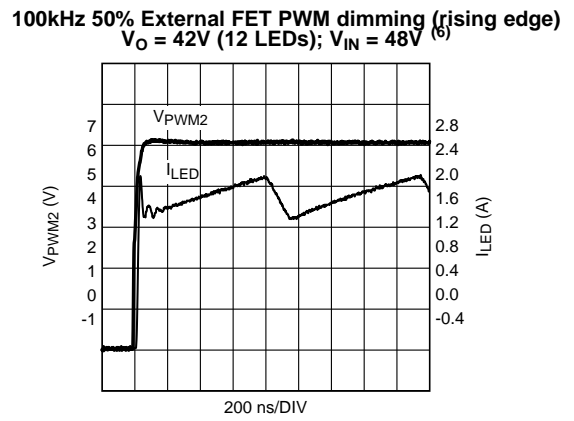
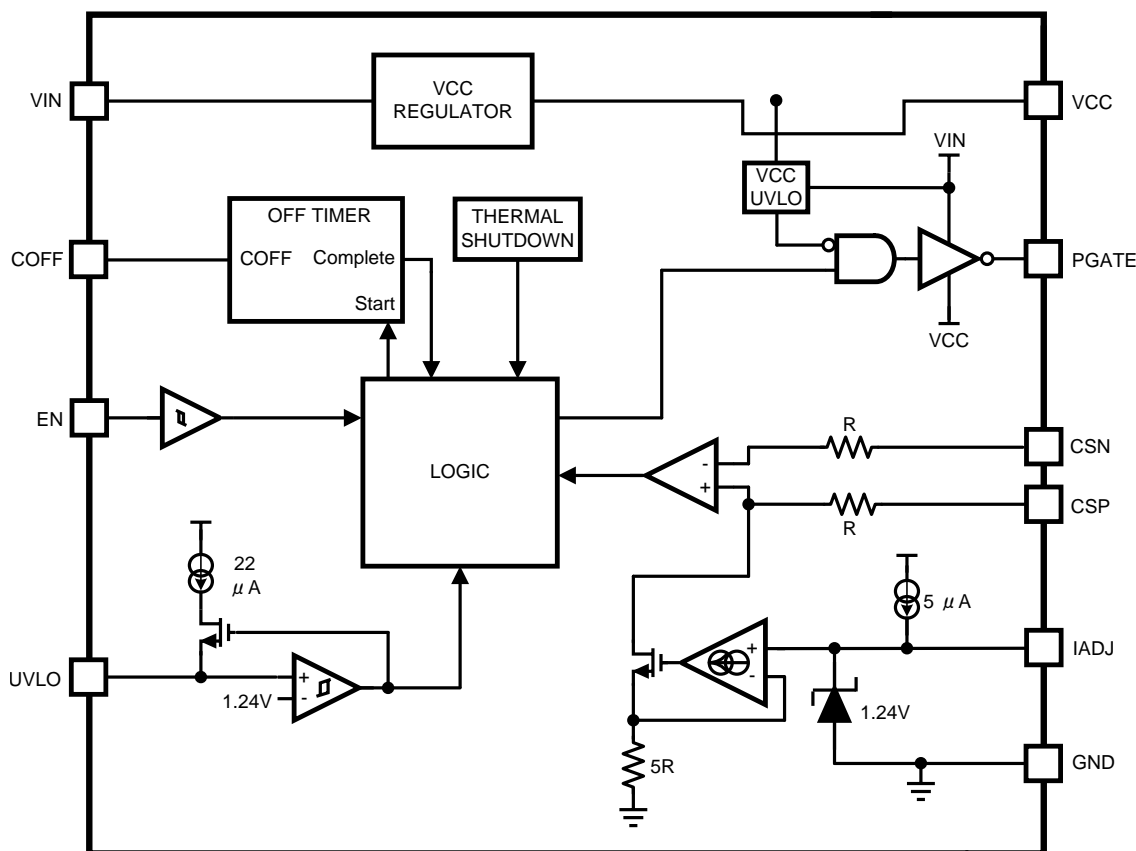


Figure 20.

(5) The waveforms were acquired using the standard evaluation board from AN-1953 (SNVA390).
 (6) The waveforms were acquired using the standard evaluation board from AN-1953 (SNVA390).

BLOCK DIAGRAM**Theory of Operation**

The LM3409/09HV are P-channel MosFET (PFET) controllers for step-down (buck) current regulators which are ideal for driving LED loads. They have wide input voltage range allowing for regulation of a variety of LED loads. The high-side differential current sense, with low adjustable threshold voltage, provides an excellent method for regulating output current while maintaining high system efficiency. The LM3409/09HV uses a Controlled Off-Time (COFT) architecture that allows the converter to be operated in both continuous conduction mode (CCM) and discontinuous conduction mode (DCM) with no external control loop compensation, while providing an inherent cycle-by-cycle current limit. The adjustable current sense threshold provides the capability to amplitude (analog) dim the LED current over the full range and the fast output enable/disable function allows for high frequency PWM dimming using no external components. When designing, the maximum attainable LED current is not internally limited because the LM3409/09HV is a controller. Instead it is a function of the system operating point, component choices, and switching frequency allowing the LM3409/09HV to easily provide constant currents up to 5A. This simple controller contains all the features necessary to implement a high efficiency versatile LED driver.

BUCK CURRENT REGULATORS

The buck regulator is unique among non-isolated topologies due to the direct connection of the inductor to the load during the entire switching cycle. An inductor will control the rate of change of current that flows through it, therefore a direct connection to the load is excellent for current regulation. A buck current regulator, using the LM3409/09HV, is shown in the [Typical Application](#) section. During the time that the PFET (Q1) is turned on (t_{ON}), the input voltage charges up the inductor (L1). When Q1 is turned off (t_{OFF}), the re-circulating diode (D1) becomes forward biased and L1 discharges. During both intervals, the current is supplied to the load keeping the LEDs forward biased. [Figure 21](#) shows the inductor current ($i_L(t)$) waveform for a buck converter operating in CCM.

The average inductor current (I_L) is equal to the average output LED current (I_{LED}), therefore if I_L is tightly controlled, I_{LED} will be well regulated. As the system changes input voltage or output voltage, duty cycle (D) is varied to regulate I_L and ultimately I_{LED} . For any buck regulator, D is simply the conversion ratio divided by the efficiency (η):

$$D = \frac{V_o}{\eta \times V_{IN}} \quad (1)$$

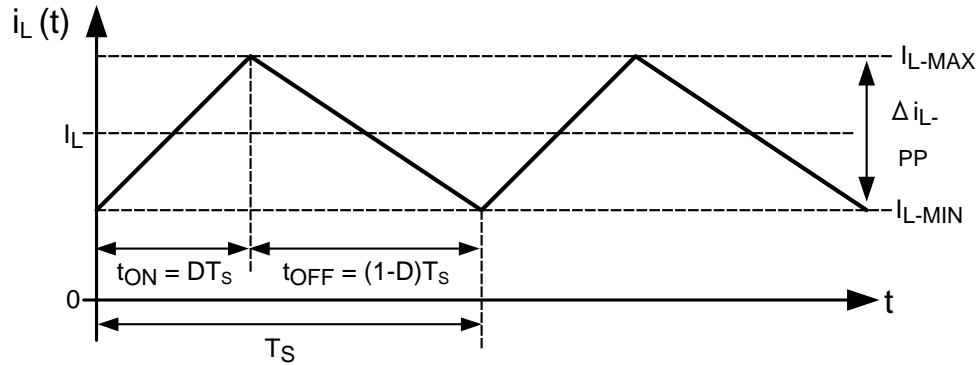


Figure 21. Ideal CCM Buck Converter Inductor Current $i_L(t)$

CONTROLLED OFF-TIME (COFT) ARCHITECTURE

The COFT architecture is used by the LM3409/09HV to control I_{LED} . It is a combination of peak current detection and a one-shot off-timer that varies with output voltage. D is indirectly controlled by changes in both t_{OFF} and t_{ON} , which vary depending on the operating point. This creates a variable switching frequency over the entire operating range. This type of hysteretic control eliminates the need for control loop compensation necessary in many switching regulators, simplifying the design process and providing fast transient response.

Adjustable Peak Current Control

At the beginning of a switching period, PFET Q1 is turned on and inductor current increases. Once peak current is detected, Q1 is turned off, the diode D1 forward biases, and inductor current decreases. Figure 22 shows how peak current detection is accomplished using the differential voltage signal created as current flows through the current setting resistor (R_{SNS}). The voltage across R_{SNS} (V_{SNS}) is compared to the adjustable current sense threshold (V_{CST}) and Q1 is turned off when V_{SNS} exceeds V_{CST} , providing that t_{ON} is greater than the minimum possible t_{ON} (typically 115ns).

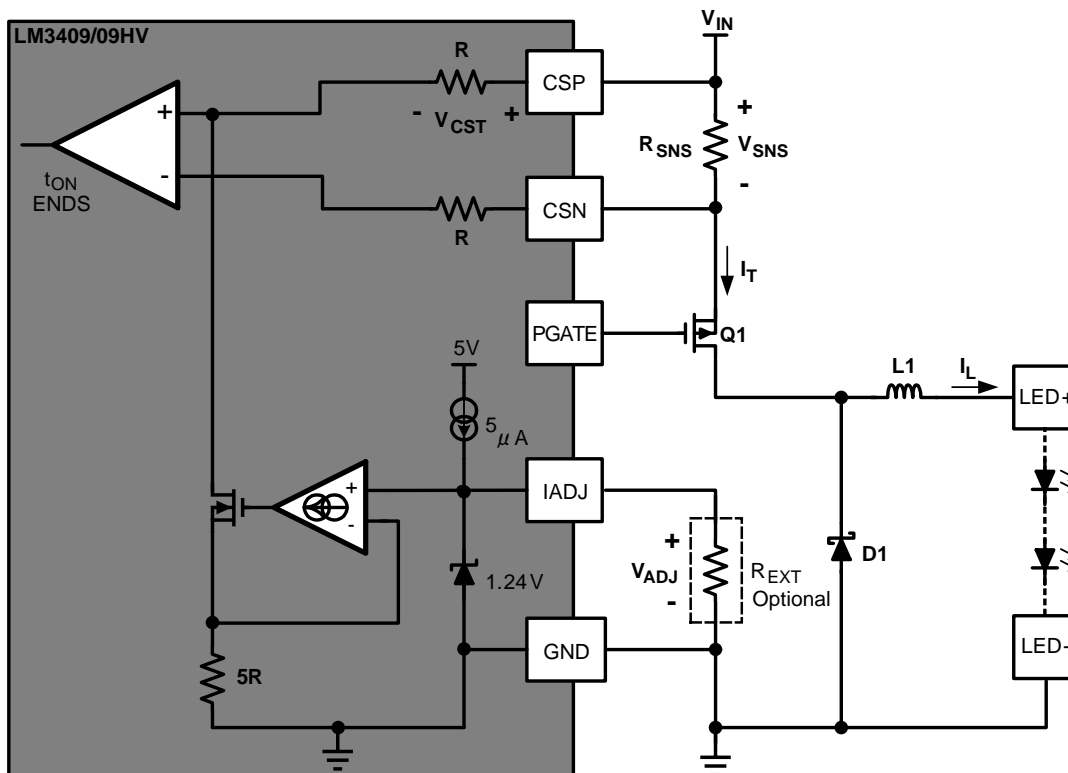


Figure 22. Peak Current Control Circuit

There are three different methods to set the current sense threshold (V_{CST}) using the multi-function IADJ pin:

1. IADJ pin left open: $5\mu\text{A}$ internal current source biases the Zener diode and clamps the IADJ pin voltage (V_{ADJ}) at 1.24V causing the maximum threshold voltage:

$$V_{CST} = \frac{V_{ADJ}}{5 \times R} \times R = \frac{V_{ADJ}}{5} = \frac{1.24\text{V}}{5} = 248 \text{ mV} \quad (2)$$

2. External voltage (V_{ADJ}) of 0V to 1.24V: Apply to the IADJ pin to adjust V_{CST} from 0V to 248mV. If the V_{ADJ} voltage is adjustable, analog dimming can be achieved.
3. External resistor (R_{EXT}) placed from IADJ pin to ground: $5\mu\text{A}$ current source sets the V_{ADJ} voltage and corresponding threshold voltage:

$$V_{CST} = \frac{V_{ADJ}}{5} = \frac{5\mu\text{A} \times R_{EXT}}{5} = 1\mu\text{A} \times R_{EXT} \quad (3)$$

Controlled Off-Time

Once Q1 is turned off, it remains off for a constant time (t_{OFF}) which is preset by an external resistor (R_{OFF}), an external capacitor (C_{OFF}), and the output voltage (V_O) as shown in Figure 23. Since I_{LED} is tightly regulated, V_O will remain nearly constant over widely varying input voltage and temperature yielding a nearly constant t_{OFF} .

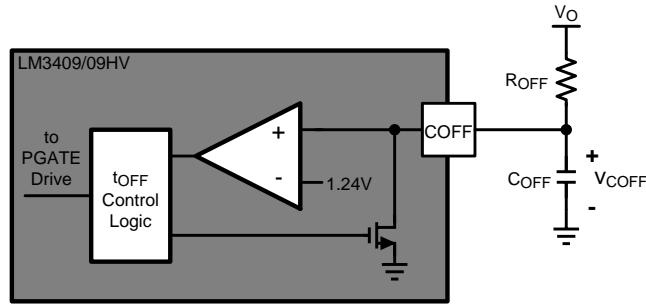


Figure 23. Off-Time Control Circuit

At the start of t_{OFF} , the voltage across C_{OFF} ($v_{COFF}(t)$) is zero and the capacitor begins charging according to the time constant provided by R_{OFF} and C_{OFF} . When $v_{COFF}(t)$ reaches the off-time threshold ($V_{OFT} = 1.24V$), then the off-time is terminated and $v_{COFF}(t)$ is reset to zero. t_{OFF} is calculated as follows:

$$t_{OFF} = -R_{OFF} \times (C_{OFF} + 20 \text{ pF}) \times \ln \left(1 - \frac{1.24V}{V_O} \right) \quad (4)$$

In reality, there is typically 20 pF parasitic capacitance at the off-timer pin in parallel with C_{OFF} , which is accounted for in the calculation of t_{OFF} . Also, it should be noted that the t_{OFF} equation has a preceding negative sign because the result of the logarithm should be negative for a properly designed circuit. The resulting t_{OFF} is a positive value as long as $V_O > 1.24V$. If $V_O < 1.24V$, the off-timer cannot reach V_{OFT} and an internally limited maximum off-time (typically 300 μ s) will occur.

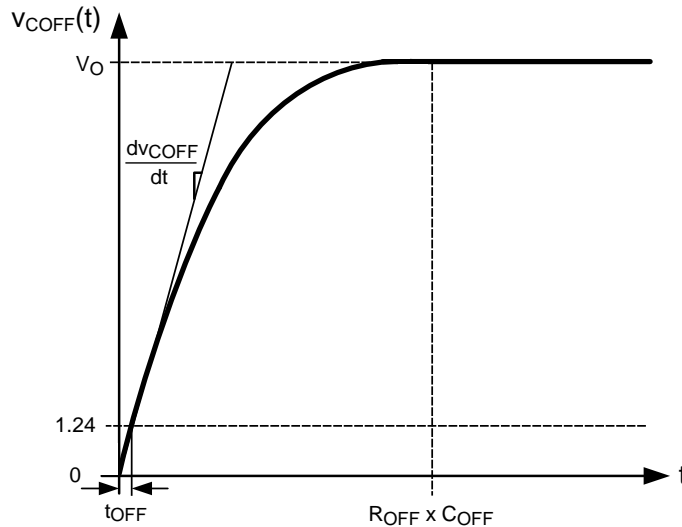


Figure 24. Exponential Charging Function $v_{COFF}(t)$

Although the t_{OFF} equation is non-linear, t_{OFF} is actually very linear in most applications. Ignoring the 20pF parasitic capacitance at the C_{OFF} pin, $v_{COFF}(t)$ is plotted in Figure 24. The time derivative of $v_{COFF}(t)$ can be calculated to find a linear approximation to the t_{OFF} equation:

$$\frac{dv_{COFF}(t)}{dt} = \frac{V_O}{R_{OFF} \times C_{OFF}} e^{-\left(\frac{t_{OFF}}{R_{OFF} \times C_{OFF}}\right)} \quad (5)$$

When $t_{OFF} \ll R_{OFF} \times C_{OFF}$ (equivalent to when $V_O \gg 1.24V$), the slope of the function is essentially linear and t_{OFF} can be approximated as a current source charging C_{OFF} :

$$t_{OFF} \approx \frac{1.24V \times R_{OFF} \times C_{OFF}}{V_O} \quad (6)$$

Using the actual t_{OFF} equation, the inductor current ripple (Δi_{L-PP}) of a buck current regulator operating in CCM is:

$$\Delta i_{L-PP} = \frac{-V_O \times R_{OFF} \times (C_{OFF} + 20 \text{ pF}) \times \ln \left(1 - \frac{1.24V}{V_O} \right)}{L1} \quad (7)$$

Using the t_{OFF} approximation, the equation is reduced to:

$$\Delta i_{L-PP} \approx \frac{1.24 \times R_{OFF} \times C_{OFF}}{L1} \quad (8)$$

Δi_{L-PP} is independent of both V_{IN} and V_O when in CCM!

The Δi_{L-PP} approximation only depends on R_{OFF} , C_{OFF} , and $L1$, therefore the ripple is essentially constant over the operating range as long as $V_O \gg 1.24V$ (when the t_{OFF} approximation is valid). An exception to the t_{OFF} approximation occurs if the IADJ pin is used to analog dim. As the LED/inductor current decreases, the converter will eventually enter DCM and the ripple will decrease with the peak current threshold. The approximation shows how the LM3409/09HV achieves constant ripple over a wide operating range, however t_{OFF} should be calculated using the actual equation first presented.

AVERAGE LED CURRENT

For a buck converter, the average LED current is simply the average inductor current.

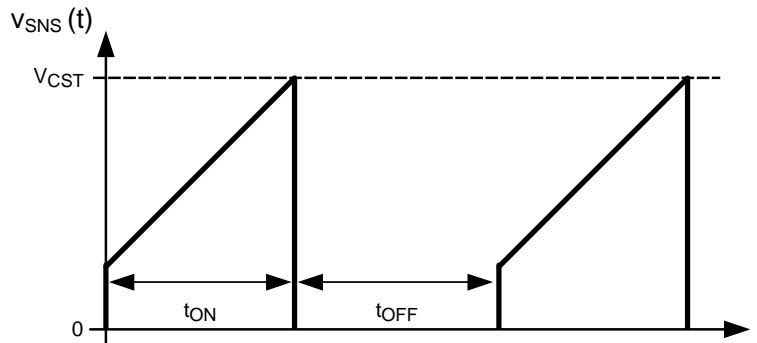


Figure 25. Sense Voltage $v_{SNS}(t)$

Using the COFT architecture, the peak transistor current (I_{T-MAX}) is sensed as shown in Figure 25, which is equal to the peak inductor current (I_{L-MAX}) given by the following equation:

$$I_{L-MAX} = I_{T-MAX} = \frac{V_{CST}}{R_{SNS}} = \frac{V_{ADJ}}{5 \times R_{SNS}} \quad (9)$$

Because I_{L-MAX} is set using peak current control and Δi_{L-PP} is set using the controlled off-timer, I_L and correspondingly I_{LED} can be calculated as follows:

$$I_{LED} = I_L = I_{L-MAX} - \frac{\Delta i_{L-PP}}{2} = \frac{V_{ADJ}}{5 \times R_{SNS}} - \frac{V_O \times t_{OFF}}{2 \times L1} \quad (10)$$

The threshold voltage V_{CST} seen by the high-side sense comparator is affected by the comparator's input offset voltage, which causes an error in the calculation of I_{L-MAX} and ultimately I_{LED} . To mitigate this problem, the polarity of the comparator inputs is swapped every cycle, which causes the actual I_{L-MAX} to alternate between two peak values (I_{L-MAXH} and I_{L-MAXL}), equidistant from the theoretical I_{L-MAX} as shown in Figure 26. I_{LED} remains accurate through this averaging.

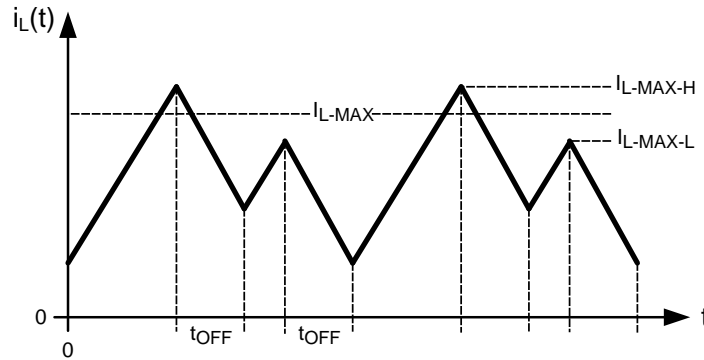


Figure 26. Inductor Current $i_L(t)$ Showing I_{L-MAX} Offset

INDUCTOR CURRENT RIPPLE

Because the LM3409/09HV swaps the polarity of the differential current sense comparator every cycle, a minimum inductor current ripple (Δi_{L-PP}) is necessary to maintain accurate I_{LED} regulation. Referring to Figure 26, the first t_{ON} is terminated at the higher of the two polarity-swapped thresholds (corresponding to I_{L-MAXH}). During the following t_{OFF} , i_L decreases until the second t_{ON} begins. If t_{OFF} is too short, then as the second t_{ON} begins, i_L will still be above the lower peak current threshold (corresponding to I_{L-MAXL}) and a minimum t_{ON} pulse will follow. This will result in degraded I_{LED} regulation. The minimum inductor current ripple ($\Delta i_{L-PP-MIN}$) should adhere to the following equation in order to ensure accurate I_{LED} regulation:

$$\Delta i_{L-PP-MIN} > \frac{24 \text{ mV}}{R_{SNS}} \quad (11)$$

SWITCHING FREQUENCY

The switching frequency is dependent upon the actual operating point (V_{IN} and V_O). V_O will remain relatively constant for a given application, therefore the switching frequency will vary with V_{IN} (frequency increases as V_{IN} increases). The target switching frequency (f_{SW}) at the nominal operating point is selected based on the tradeoffs between efficiency (better at low frequency) and solution size/cost (smaller at high frequency). The off-time of the LM3409/09HV can be programmed for switching frequencies up to 5 MHz (theoretical limit imposed by minimum t_{ON}). In practice, switching frequencies higher than 1MHz may be difficult to obtain due to gate drive limitations, high input voltage, and thermal considerations.

At CCM operating points, f_{SW} is defined as:

$$f_{SW} = \frac{1-D}{t_{OFF}} = \frac{1 - \left(\frac{V_O}{\eta \times V_{IN}} \right)}{t_{OFF}} \quad (12)$$

At DCM operating points, f_{SW} is defined as:

$$f_{SW} = \frac{1}{t_{ON} + t_{OFF}} = \frac{1}{\left(\frac{I_{L-MAX} \times L_1}{V_{IN} - V_O} \right) + t_{OFF}} \quad (13)$$

In the CCM equation, it is apparent that the efficiency (η) factors into the switching frequency calculation. Efficiency is hard to estimate and, since switching frequency varies with input voltage, accuracy in setting the nominal switching frequency is not critical. Therefore, a general rule of thumb for the LM3409/09HV is to assume an efficiency between 85% and 100%. When approximating efficiency to target a nominal switching frequency, the following condition must be met:

$$> \frac{V_O}{V_{IN}} \quad (14)$$

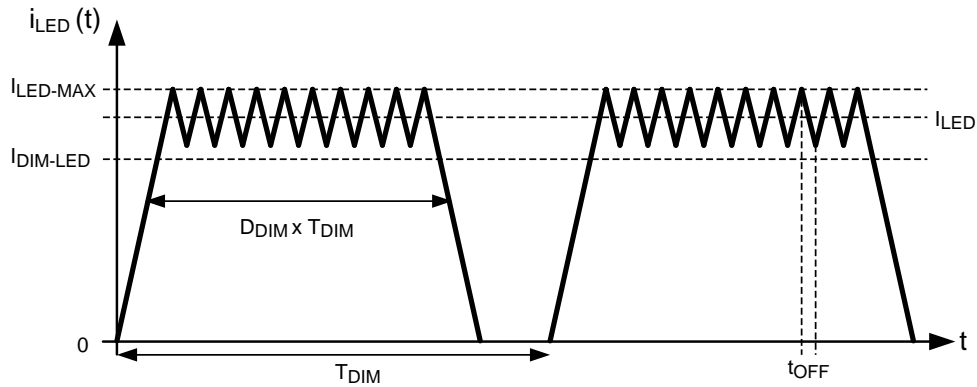


Figure 27. LED Current $i_{LED}(t)$ During EN Pin PWM Dimming

PWM DIMMING USING THE EN PIN

The enable pin (EN) is a TTL compatible input for PWM dimming of the LED. A logic low (below 0.5V) at EN will disable the internal driver and shut off the current flow to the LED array. While the EN pin is in a logic low state the support circuitry (driver, bandgap, V_{CC} regulator) remains active in order to minimize the time needed to turn the LED array back on when the EN pin sees a logic high (above 1.74V).

Figure 27 shows the LED current ($i_{LED}(t)$) during PWM dimming where duty cycle (D_{DIM}) is the percentage of the dimming period (T_{DIM}) that the PFET is switching. For the remainder of T_{DIM} , the PFET is disabled. The resulting dimmed average LED current ($I_{DIM-LED}$) is:

$$I_{DIM-LED} = D_{DIM} \times I_{LED} \quad (15)$$

The LED current rise and fall times (which are limited by the slew rate of the inductor as well as the delay from activation of the EN pin to the response of the external PFET) limit the achievable T_{DIM} and D_{DIM} . In general, dimming frequency should be at least one order of magnitude lower than the steady state switching frequency in order to prevent aliasing. However, for good linear response across the entire dimming range, the dimming frequency may need to be even lower.

HIGH VOLTAGE NEGATIVE BIAS REGULATOR

The LM3409/09HV contains an internal linear regulator where the steady state VCC pin voltage is typically 6.2V below the voltage at the VIN pin. The VCC pin should be bypassed to the VIN pin with at least 1 μ F of ceramic capacitance connected as close as possible to the IC.

INPUT UNDER-VOLTAGE LOCKOUT (UVLO)

Under-voltage lockout is set with a resistor divider from V_{IN} to GND and is compared against a 1.24V threshold as shown in Figure 28. Once the input voltage is above the preset UVLO rising threshold (and assuming the part is enabled), the internal circuitry becomes active and a 22 μ A current source at the UVLO pin is turned on. This extra current provides hysteresis to create a lower UVLO falling threshold. The resistor divider is chosen to set both the UVLO rising and falling thresholds.

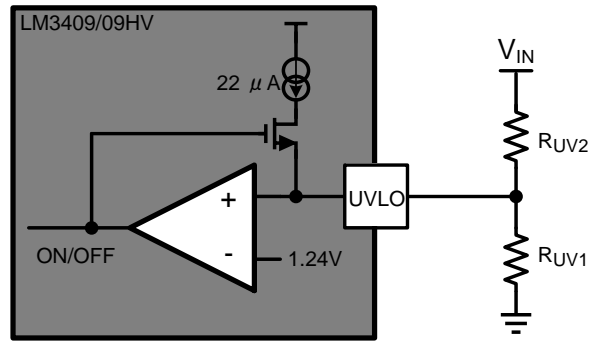


Figure 28. UVLO Circuit

The turn-on threshold ($V_{\text{TURN-ON}}$) is defined as follows:

$$V_{\text{TURN-ON}} = \frac{1.24\text{V} \times (R_{\text{UV1}} + R_{\text{UV2}})}{R_{\text{UV1}}} \quad (16)$$

The hysteresis (V_{HYS}) is defined as follows:

$$V_{\text{HYS}} = R_{\text{UV2}} \times 22\ \mu\text{A} \quad (17)$$

LOW POWER SHUTDOWN

The LM3409/09HV can be placed into a low power shutdown (typically 110 μ A) by grounding the EN terminal (any voltage below 0.5V) until V_{CC} drops below the V_{CC} UVLO threshold (typically 3.73V). During normal operation this terminal should be tied to a voltage above 1.74V and below absolute maximum input voltage rating.

THERMAL SHUTDOWN

Internal thermal shutdown circuitry is provided to protect the IC in the event that the maximum junction temperature is exceeded. The threshold for thermal shutdown is 160°C with 15°C of hysteresis (both values typical). During thermal shutdown the PFET and driver are disabled.

Design Considerations

OPERATION NEAR DROPOUT

Because the power MosFET is a PFET, the LM3409/09HV can be operated into dropout which occurs when the input voltage is approximately equal to output voltage. Once the input voltage drops below the nominal output voltage, the switch remains constantly on ($D=1$) causing the output voltage to decrease with the input voltage. In normal operation, the average LED current is regulated to the peak current threshold minus half of the ripple. As the converter goes into dropout, the LED current is exactly at the peak current threshold because it is no longer switching. This causes the LED current to increase by half of the set ripple current as it makes the transition into dropout. Therefore, the inductor current ripple should be kept as small as possible (while remaining above the previously established minimum) and output capacitance should be added to help maintain good line regulation when approaching dropout.

LED RIPPLE CURRENT

Selection of the ripple current through the LED array is analogous to the selection of output ripple voltage in a standard voltage regulator. Where the output voltage ripple in a voltage regulator is commonly $\pm 1\%$ to $\pm 5\%$ of the DC output voltage, LED manufacturers generally recommend values for $\Delta i_{\text{LED-PP}}$ ranging from $\pm 5\%$ to $\pm 20\%$ of I_{LED} . For a nominal system operating point, a larger $\Delta i_{\text{LED-PP}}$ specification can reduce the necessary inductor size and/or allow for smaller output capacitors (or no output capacitors at all) which helps to minimize the total solution size and cost. On the other hand, a smaller $\Delta i_{\text{LED-PP}}$ specification would require more output inductance, a higher switching frequency, or additional output capacitance.

BUCK CONVERTERS W/O OUTPUT CAPACITORS

Because current is being regulated, not voltage, a buck current regulator is free of load current transients, therefore output capacitance is not needed to supply the load and maintain output voltage. This is very helpful when high frequency PWM dimming the LED load. When no output capacitor is used, the same design equations that govern Δi_{L-PP} also apply to Δi_{LED-PP} .

BUCK CONVERTERS WITH OUTPUT CAPACITORS

A capacitor placed in parallel with the LED load can be used to reduce Δi_{LED-PP} while keeping the same average current through both the inductor and the LED array. With an output capacitor, the inductance can be lowered, making the magnetics smaller and less expensive. Alternatively, the circuit can be run at lower frequency with the same inductor value, improving the efficiency and increasing the maximum allowable average output voltage. A parallel output capacitor is also useful in applications where the inductor or input voltage tolerance is poor. Adding a capacitor that reduces Δi_{LED-PP} to well below the target provides headroom for changes in inductance or V_{IN} that might otherwise push the maximum Δi_{LED-PP} too high.

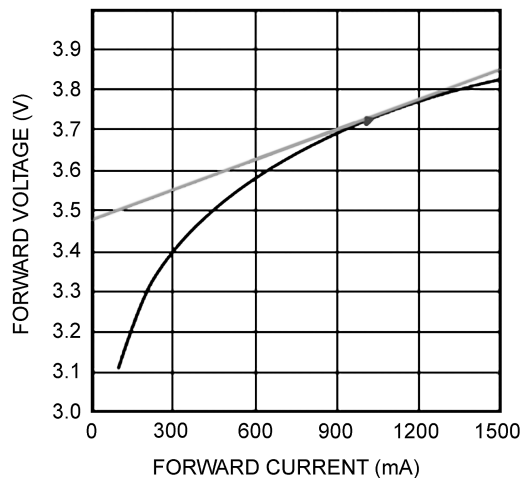


Figure 29. Calculating Dynamic Resistance r_D

Output capacitance (C_O) is determined knowing the desired Δi_{LED-PP} and the LED dynamic resistance (r_D). r_D can be calculated as the slope of the LED's exponential DC characteristic at the nominal operating point as shown in [Figure 29](#). Simply dividing the forward voltage by the forward current at the nominal operating point will give an incorrect value that is 5x to 10x too high. Total dynamic resistance for a string of n LEDs connected in series can be calculated as the r_D of one device multiplied by n . The following equations can then be used to estimate Δi_{LED-PP} when using a parallel capacitor:

$$\Delta i_{LED-PP} = \frac{\Delta i_{L-PP}}{1 + \frac{r_D}{Z_C}} \quad (18)$$

$$Z_C = \frac{1}{2 \times \pi \times f_{SW} \times C_O} \quad (19)$$

In general, Z_C should be at least half of r_D to effectively reduce the ripple. Ceramic capacitors are the best choice for the output capacitors due to their high ripple current rating, low ESR, low cost, and small size compared to other types. When selecting a ceramic capacitor, special attention must be paid to the operating conditions of the application. Ceramic capacitors can lose one-half or more of their capacitance at their rated DC voltage bias and also lose capacitance with extremes in temperature. Make sure to check any recommended deratings and also verify if there is any significant change in capacitance at the operating voltage and temperature.

OUTPUT OVER-VOLTAGE PROTECTION

Because the LM3409/09HV controls a buck current regulator, there is no inherent need to provide output over-voltage protection. If the LED load is opened, the output voltage will only rise as high as the input voltage plus any ringing due to the parasitic inductance and capacitance present at the output node. If a ceramic output capacitor is used in the application, it should have a minimum rating equal to the input voltage. Ringing seen at the output node should not damage most ceramic capacitors, due to their high ripple current rating.

INPUT CAPACITORS

Input capacitors are selected using requirements for minimum capacitance and RMS ripple current. The PFET current during t_{ON} is approximately I_{LED} , therefore the input capacitors discharge the difference between I_{LED} and the average input current (I_{IN}) during t_{ON} . During t_{OFF} , the input voltage source charges up the input capacitors with I_{IN} . The minimum input capacitance (C_{IN-MIN}) is selected using the maximum input voltage ripple (ΔV_{IN-MAX}) which can be tolerated. ΔV_{IN-MAX} is equal to the change in voltage across C_{IN} during t_{ON} when it supplies the load current. A good starting point for selection of C_{IN} is to use ΔV_{IN-MAX} of 2% to 10% of V_{IN} . C_{IN-MIN} can be selected as follows:

$$C_{IN-MIN} = \frac{I_{LED} \times t_{ON}}{\Delta V_{IN-MAX}} = \frac{I_{LED} \times \left(\frac{1}{f_{SW}} - t_{OFF} \right)}{\Delta V_{IN-MAX}} \quad (20)$$

An input capacitance at least 75% greater than the calculated C_{IN-MIN} value is recommended. To determine the RMS input current rating (I_{IN-RMS}) the following approximation can be used:

$$I_{IN-RMS} = I_{LED} \times \sqrt{D \times (1 - D)} = I_{LED} \times f_{SW} \times \sqrt{t_{ON} \times t_{OFF}} \quad (21)$$

Since this approximation assumes there is no inductor ripple current, the value should be increased by 10-30% depending on the amount of ripple that is expected. Ceramic capacitors are the best choice for input capacitors for the same reasons mentioned in the [BUCK CONVERTERS WITH OUTPUT CAPACITORS](#) section. Careful selection of the capacitor requires checking capacitance ratings at the nominal operating voltage and temperature.

P-CHANNEL MosFET (PFET)

The LM3409/09HV requires an external PFET (Q1) as the main power MosFET for the switching regulator. Q1 should have a voltage rating at least 15% higher than the maximum input voltage to ensure safe operation during the ringing of the switch node. In practice all switching converters have some ringing at the switch node due to the diode parasitic capacitance and the lead inductance. The PFET should also have a current rating at least 10% higher than the average transistor current (I_T):

$$I_T = D \times I_{LED} \quad (22)$$

The power rating is verified by calculating the power loss (P_T) using the RMS transistor current (I_{T-RMS}) and the PFET on-resistance (R_{DS-ON}):

$$I_{T-RMS} = I_{LED} \times \sqrt{D \times \left(1 + \frac{1}{12} \times \left(\frac{\Delta i_{L-PP}}{I_{LED}} \right)^2 \right)} \quad (23)$$

$$P_T = I_{T-RMS}^2 \times R_{DS-ON} \quad (24)$$

It is important to consider the gate charge of Q1. As the input voltage increases from a nominal voltage to its maximum input voltage, the COFT architecture will naturally increase the switching frequency. The dominant switching losses are determined by input voltage, switching frequency, and PFET total gate charge (Q_g). The LM3409/09HV has to provide and remove charge Q_g from the input capacitance of Q1 in order to turn it on and off. This occurs more often at higher switching frequencies which requires more current from the internal regulator, thereby increasing internal power dissipation and eventually causing the LM3409/09HV to thermally cycle. For a given range of operating points the only effective way to reduce these switching losses is to minimize Q_g .

A good rule of thumb is to limit $Q_g < 30\text{nC}$ (if the switching frequency remains below 300kHz for the entire operating range then a larger Q_g can be considered). If a PFET with small R_{DS-ON} and a high voltage rating is required, there may be no choice but to use a PFET with $Q_g > 30\text{nC}$.

When using a PFET with $Q_g > 30\text{nC}$, the bypass capacitor (C_F) should not be connected to the VIN pin. This will ensure that peak current detection through R_{SNS} is not affected by the charging of the PFET input capacitance during switching, which can cause false triggering of the peak detection comparator. Instead, C_F should be connected from the VCC pin to the CSN pin which will cause a small DC offset in V_{CST} and ultimately I_{LED} ; however it avoids the problematic false triggering.

In general, the PFET should be chosen to meet the Q_g specification whenever possible, while minimizing R_{DS-ON} . This will minimize power losses while ensuring the part functions correctly over the full operating range.

RE-CIRCULATING DIODE

A re-circulating diode (D1) is required to carry the inductor current during t_{OFF} . The most efficient choice for D1 is a Schottky diode due to low forward voltage drop and near-zero reverse recovery time. Similar to Q1, D1 must have a voltage rating at least 15% higher than the maximum input voltage to ensure safe operation during the ringing of the switch node and a current rating at least 10% higher than the average diode current (I_D):

$$I_D = (1 - D) \times I_{LED} \quad (25)$$

The power rating is verified by calculating the power loss through the diode. This is accomplished by checking the typical diode forward voltage (V_D) from the I-V curve on the product datasheet and calculating as follows:

$$P_D = I_D \times V_D \quad (26)$$

In general, higher current diodes have a lower V_D and come in better performing packages minimizing both power losses and temperature rise.

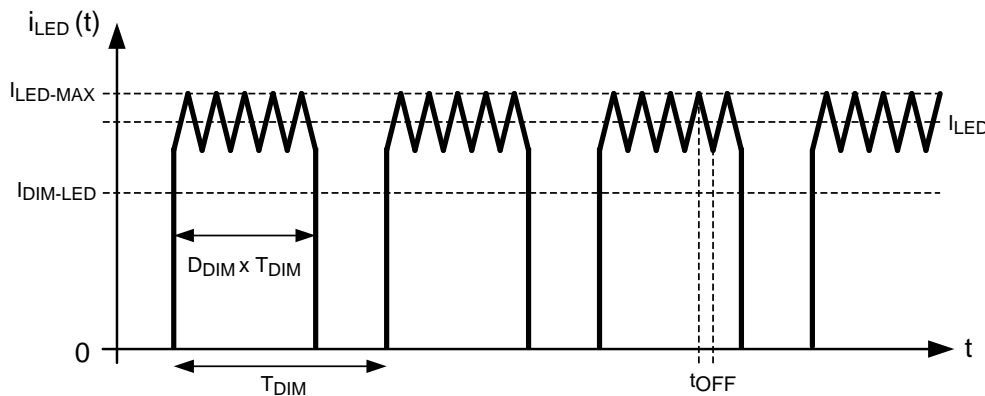


Figure 30. Ideal LED Current $i_{LED}(t)$ During Parallel FET Dimming

EXTERNAL PARALLEL FET PWM DIMMING

Any buck topology LED driver is a good candidate for parallel FET dimming because high slew rates are achievable, due to the fact that no output capacitance is required. This allows for much higher dimming frequencies than are achievable using the EN pin. When using external parallel FET dimming, a situation can arise where maximum off-time occurs due to a shorted output. To mitigate this situation, capacitive coupling to the enable pin can be employed.

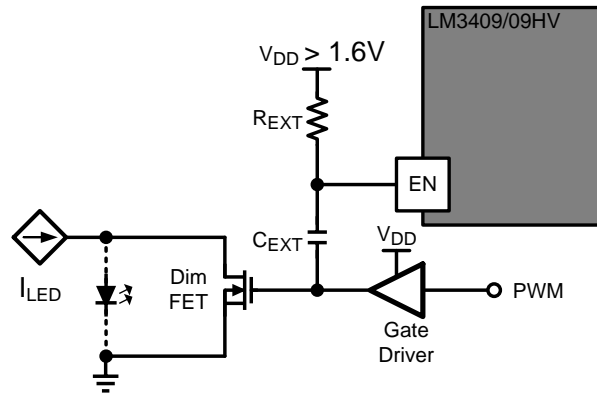


Figure 31. External Parallel FET Dimming Circuit

As shown in Figure 31, a small capacitor (C_{EXT}) is connected from the gate drive signal of the parallel Dim FET to the EN pin and a pull-up resistor (R_{EXT}) is placed from the EN pin to the external V_{DD} supply for the Dim FET gate driver. This forces the on-timer to restart corresponding to every rising edge of the LED voltage, ensuring that the unwanted maximum off-time condition does not occur. With this type of dimming, the EN pin does not control the dimming; it simply resets the controller. A good design choice is to size R_{EXT} and C_{EXT} to give a time constant smaller than t_{OFF} :

$$t_{OFF} > R_{EXT} \times C_{EXT} \quad (27)$$

The ideal LED current waveform $i_{LED}(t)$ during parallel FET PWM dimming is very similar to the EN pin PWM dimming shown previously. The LED current does not rise and fall infinitely fast as shown in Figure 30 however with this method, only the speed of the parallel Dim FET ultimately limits the dimming frequency and dimming duty cycle. This allows for much faster PWM dimming than can be attained with the EN pin.

CIRCUIT LAYOUT

The performance of any switching converter depends as much upon the layout of the PCB as the component selection. Following a few simple guidelines will maximize noise rejection and minimize the generation of EMI within the circuit.

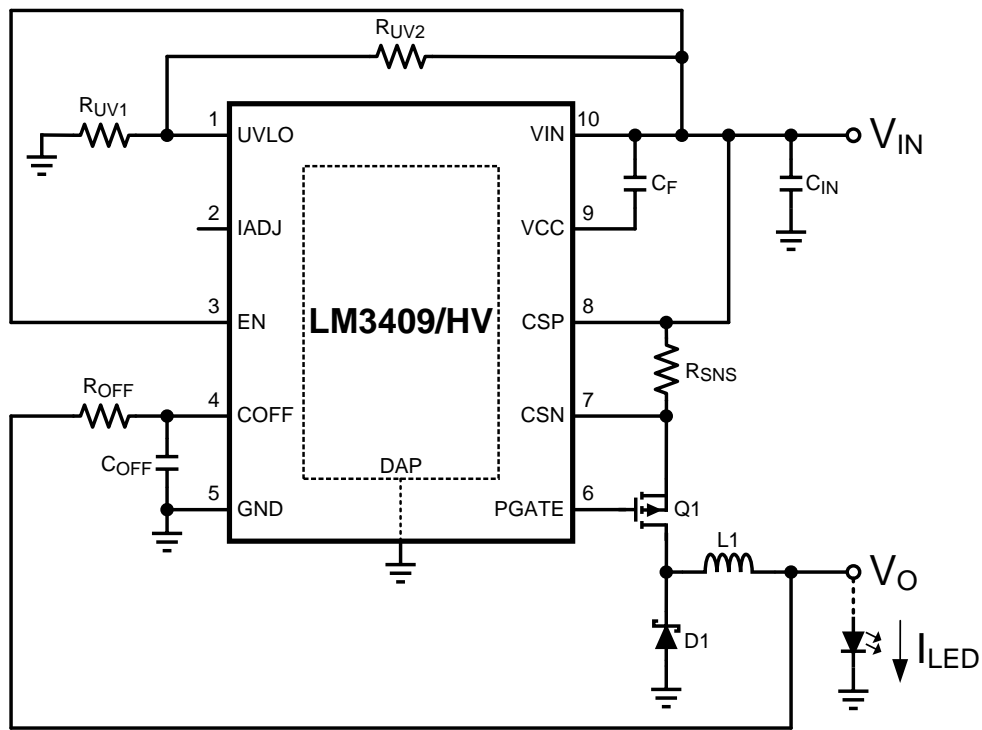
Discontinuous currents are the most likely to generate EMI, therefore care should be taken when routing these paths. The main path for discontinuous current in the LM3409/09HV buck converter contains the input capacitor (C_{IN}), the recirculating diode (D1), the P-channel MosFET (Q1), and the sense resistor (R_{SNS}). This loop should be kept as small as possible and the connections between all three components should be short and thick to minimize parasitic inductance. In particular, the switch node (where L1, D1 and Q1 connect) should be just large enough to connect the components without excessive heating from the current it carries.

The IADJ, COFF, CSN and CSP pins are all high-impedance control inputs which couple external noise easily, therefore the loops containing these high impedance nodes should be minimized. The most sensitive loop contains the sense resistor (R_{SNS}) which should be placed as close as possible to the CSN and CSP pins to maximize noise rejection. The off-time capacitor (C_{OFF}) should be placed close to the COFF and GND pins for the same reason. Finally, if an external resistor (R_{EXT}) is used to bias the IADJ pin, it should be placed close to the IADJ and GND pins, also.

In some applications the LED or LED array can be far away (several inches or more) from the LM3409/09HV, or on a separate PCB connected by a wiring harness. When an output capacitor is used and the LED array is large or separated from the rest of the converter, the output capacitor should be placed close to the LEDs to reduce the effects of parasitic inductance on the AC impedance of the capacitor.

Design Guide

TYPICAL APPLICATION



SPECIFICATIONS

Nominal input voltage: V_{IN}

Maximum input voltage: V_{IN-MAX}

Nominal output voltage (# of LEDs x forward voltage): V_O

LED string dynamic resistance: r_D

Switching frequency (at nominal V_{IN} , V_O): f_{SW}

Average LED current: I_{LED}

Inductor current ripple: Δi_{L-PP}

LED current ripple: Δi_{LED-PP}

Input voltage ripple: ΔV_{IN-PP}

UVLO characteristics: $V_{TURN-ON}$ and V_{HYS}

Expected efficiency: η

1. NOMINAL SWITCHING FREQUENCY

Calculate switching frequency (f_{SW}) at the nominal operating point (V_{IN} and V_O). Assume a C_{OFF} value (between 470pF and 1nF) and a system efficiency (η). Solve for R_{OFF} :

$$R_{\text{OFF}} = \frac{-\left(1 - \frac{V_O}{\eta \times V_{\text{IN}}}\right)}{(C_{\text{OFF}} + 20 \text{ pF}) \times f_{\text{SW}} \times \ln\left(1 - \frac{1.24\text{V}}{V_O}\right)} \quad (28)$$

2. INDUCTOR RIPPLE CURRENT

Set the inductor ripple current ($\Delta i_{\text{L-PP}}$) by solving for the appropriate inductor (L1):

$$L1 = \frac{V_O \times t_{\text{OFF}}}{\Delta i_{\text{L-PP}}} \quad (29)$$

3. AVERAGE LED CURRENT

Set the average LED current (I_{LED}) by first solving for the peak inductor current ($I_{\text{L-MAX}}$):

$$I_{\text{L-MAX}} = I_{\text{LED}} + \frac{\Delta i_{\text{L-PP}}}{2} \quad (30)$$

Peak inductor current is detected across the sense resistor (R_{SNS}). In most cases, assume the maximum value ($V_{\text{ADJ}} = 1.24\text{V}$) at the IADJ pin and solve for R_{SNS} :

$$R_{\text{SNS}} = \frac{V_{\text{ADJ}}}{5 \times I_{\text{L-MAX}}} \quad (31)$$

If the calculated R_{SNS} is far from a standard value, the beginning of the process can be iterated to choose a new R_{OFF} , L1, and R_{SNS} value that is a closer fit. The easiest way to approach the iterative process is to change the nominal f_{SW} target knowing that the switching frequency varies with operating conditions anyways.

Another method for finding a standard R_{SNS} value is to change the V_{ADJ} value. However, this would require an external voltage source or a resistor from the IADJ pin to GND as explained in the [Theory of Operation](#) section of this datasheet.

4. OUTPUT CAPACITANCE

A minimum output capacitance ($C_{\text{O-MIN}}$) may be necessary to reduce $\Delta i_{\text{LED-PP}}$ below $\Delta i_{\text{L-PP}}$. With the specified $\Delta i_{\text{LED-PP}}$ and the known dynamic resistance (r_{D}) of the LED string, solve for the required impedance (Z_{C}) for $C_{\text{O-MIN}}$:

$$Z_{\text{C}} = \frac{r_{\text{D}} \times \Delta i_{\text{LED-PP}}}{\Delta i_{\text{L-PP}} - \Delta i_{\text{LED-PP}}} \quad (32)$$

Solve for $C_{\text{O-MIN}}$:

$$C_{\text{O-MIN}} = \frac{1}{2 \times \pi \times f_{\text{SW}} \times Z_{\text{C}}} \quad (33)$$

5. INPUT CAPACITANCE

Set the input voltage ripple ($\Delta V_{\text{IN-PP}}$) by solving for the required minimum capacitance ($C_{\text{IN-MIN}}$):

$$C_{\text{IN-MIN}} = \frac{I_{\text{LED}} \times t_{\text{ON}}}{\Delta V_{\text{IN-PP}}} = \frac{I_{\text{LED}} \times \left(\frac{1}{f_{\text{SW}}} - t_{\text{OFF}}\right)}{\Delta V_{\text{IN-PP}}} \quad (34)$$

The necessary RMS input current rating ($I_{\text{IN-RMS}}$) is:

$$I_{\text{IN-RMS}} = I_{\text{LED}} \times f_{\text{SW}} \times \sqrt{t_{\text{ON}} \times t_{\text{OFF}}} \quad (35)$$

6. PFET

The PFET voltage rating should be at least 15% higher than the maximum input voltage (V_{IN-MAX}) and current rating should be at least 10% higher than the average PFET current (I_T):

$$I_T = D \times I_{LED} \quad (36)$$

Given a PFET with on-resistance (R_{DS-ON}), solve for the RMS transistor current (I_{T-RMS}) and power dissipation (P_T):

$$I_{T-RMS} = I_{LED} \times \sqrt{D \times \left(1 + \frac{1}{12} \times \left(\frac{\Delta i_{L-PP}}{I_{LED}} \right)^2 \right)} \quad (37)$$

$$P_T = I_{T-RMS}^2 \times R_{DSON} \quad (38)$$

7. DIODE

The Schottky diode needs a voltage rating similar to the PFET. Higher current diodes with a lower forward voltage are suggested. Given a diode with forward voltage (V_D), solve for the average diode current (I_D) and power dissipation (P_D):

$$I_D = (1 - D) \times I_{LED} \quad (39)$$

$$P_D = I_D \times V_D \quad (40)$$

8. INPUT UVLO

Input UVLO is set with the turn-on threshold voltage ($V_{TURN-ON}$) and the desired hysteresis (V_{HYS}). To set V_{HYS} , solve for R_{UV2} :

$$R_{UV2} = \frac{V_{HYS}}{22 \mu A} \quad (41)$$

To set $V_{TURN-ON}$, solve for R_{UV1} :

$$R_{UV1} = \frac{1.24V \times R_{UV2}}{V_{TURN-ON} - 1.24V} \quad (42)$$

9. IADJ CONNECTION METHOD

The IADJ pin controls the high-side current sense threshold in three ways outlined in the [Theory of Operation](#) section.

Method #1: Leave IADJ pin open and I_{LED} is calculated as in the [3. AVERAGE LED CURRENT](#) section of the *Design Guide*.

Method #2: Apply an external voltage (V_{ADJ}) to the IADJ pin between 0 and 1.24V to analog dim or to reduce I_{LED} as follows:

$$I_{LED} = \frac{V_{ADJ}}{5 \times R_{SNS}} - \frac{\Delta i_{L-PP}}{2} \quad (43)$$

Keep in mind that analog dimming will eventually push the converter in to DCM and the inductor current ripple will no longer be constant causing a divergence from linear dimming at low levels.

A 0.1 μ F capacitor connected from the IADJ pin to GND is recommended when using this method. It may also be necessary to have a 1k Ω series resistor with the capacitor to create an RC filter. The filter will help remove high frequency noise created by other connected circuitry.

Method #3: Connect an external resistor or potentiometer to GND (R_{EXT}) and the internal 5 μ A current source will set the voltage. Again, a 0.1 μ F capacitor connected from the IADJ pin to GND is recommended. To set I_{LED} , solve for R_{EXT} :

$$R_{EXT} = \frac{\left(I_{LED} + \frac{\Delta i_{L-PP}}{2} \right) \times R_{SNS}}{1 \mu A} \quad (44)$$

10. PWM DIMMING METHOD

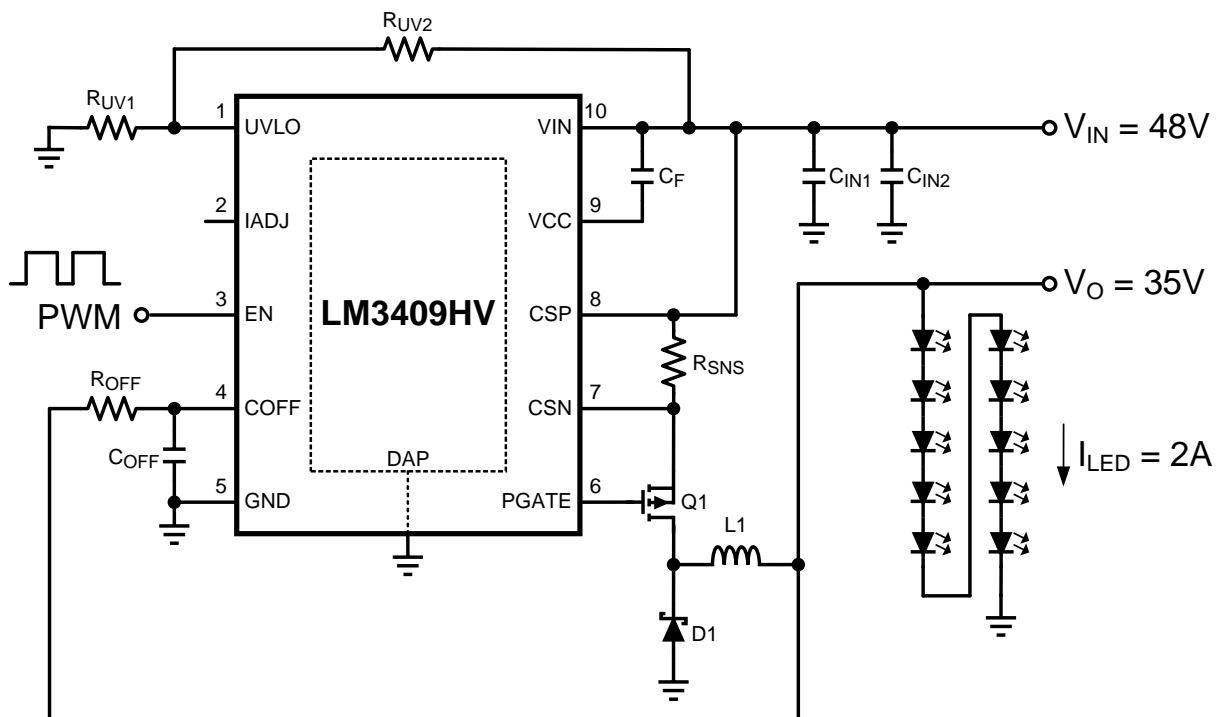
There are two methods to PWM dim using the LM3409/09HV:

Method #1: Apply an external PWM signal to the EN terminal.

Method #2: Perform external parallel FET shunt dimming as detailed in the [EXTERNAL PARALLEL FET PWM DIMMING](#) section.

Design Example #1

EN PIN PWM DIMMING APPLICATION FOR 10 LEDS



SPECIFICATIONS

$$f_{SW} = 525\text{kHz}$$

$$V_{IN} = 48\text{V}; V_{IN-MAX} = 75\text{V}$$

$$V_O = 35\text{V}$$

$$I_{LED} = 2\text{A}$$

$$\Delta i_{LED-PP} = \Delta i_{L-PP} = 1\text{A}$$

$$\Delta V_{IN-PP} = 1.44\text{V}$$

$$V_{TURN-ON} = 10\text{V}; V_{HYS} = 1.1\text{V}$$

$$\eta = 0.95$$

1. NOMINAL SWITCHING FREQUENCY

Assume $C_{OFF} = 470\text{pF}$ and $\eta = 0.95$. Solve for R_{OFF} :

$$R_{\text{OFF}} = \frac{-\left(1 - \frac{V_o}{\eta \times V_{\text{IN}}}\right)}{(C_{\text{OFF}} + 20 \text{ pF}) \times f_{\text{SW}} \times \ln\left(1 - \frac{1.24\text{V}}{V_o}\right)}$$

$$R_{\text{OFF}} = \frac{-\left(1 - \frac{35\text{V}}{0.95 \times 48\text{V}}\right)}{490 \text{ pF} \times 525 \text{ kHz} \times \ln\left(1 - \frac{1.24\text{V}}{35\text{V}}\right)} = 25.1 \text{ k}\Omega \quad (45)$$

The closest 1% tolerance resistor is 24.9 kΩ therefore the actual t_{OFF} and target f_{SW} are:

$$t_{\text{OFF}} = -(C_{\text{OFF}} + 20 \text{ pF}) \times R_{\text{OFF}} \times \ln\left(1 - \frac{1.24\text{V}}{V_o}\right)$$

$$t_{\text{OFF}} = -490 \text{ pF} \times 24.9 \text{ k}\Omega \times \ln\left(1 - \frac{1.24\text{V}}{35\text{V}}\right) = 440 \text{ ns} \quad (46)$$

$$f_{\text{SW}} = \frac{1 - \left(\frac{V_o}{\eta \times V_{\text{IN}}}\right)}{t_{\text{OFF}}} = \frac{1 - \left(\frac{35\text{V}}{0.95 \times 48\text{V}}\right)}{440 \text{ ns}} = 528 \text{ kHz} \quad (47)$$

The chosen components from step 1 are:

$C_{\text{OFF}} = 470 \text{ pF}$ $R_{\text{OFF}} = 24.9 \text{ k}\Omega$
--

(48)

2. INDUCTOR RIPPLE CURRENT

Solve for L1:

$$L1 = \frac{V_o \times t_{\text{OFF}}}{\Delta i_{\text{L-PP}}} = \frac{35\text{V} \times 440 \text{ ns}}{1\text{A}} = 15.4 \text{ }\mu\text{H} \quad (49)$$

The closest standard inductor value is 15 μH therefore the actual $\Delta i_{\text{L-PP}}$ is:

$$\Delta i_{\text{L-PP}} = \frac{V_o \times t_{\text{OFF}}}{L1} = \frac{35\text{V} \times 440 \text{ ns}}{15 \text{ }\mu\text{H}} = 1.027\text{A} \quad (50)$$

The chosen component from step 2 is:

$L1 = 15 \text{ }\mu\text{H}$

(51)

3. AVERAGE LED CURRENT

Determine $I_{\text{L-MAX}}$:

$$I_{\text{L-MAX}} = I_{\text{LED}} + \frac{\Delta i_{\text{L-PP}}}{2} = 2\text{A} + \frac{1.027\text{A}}{2} = 2.51\text{A} \quad (52)$$

Assume $V_{\text{ADJ}} = 1.24\text{V}$ and solve for R_{SNS} :

$$R_{\text{SNS}} = \frac{V_{\text{ADJ}}}{5 \times I_{\text{L-MAX}}} = \frac{1.24\text{V}}{5 \times 2.51\text{A}} = 0.099\Omega \quad (53)$$

The closest 1% tolerance resistor is 0.1 Ω therefore the I_{LED} is:

$$I_{LED} = \frac{V_{ADJ}}{5 \times R_{SNS}} - \frac{\Delta i_{L-PP}}{2}$$

$$I_{LED} = \frac{1.24V}{5 \times 0.099\Omega} - \frac{1.027A}{2} = 1.97A \quad (54)$$

The chosen component from step 3 is:

$$R_{SNS} = 0.1\Omega \quad (55)$$

4. OUTPUT CAPACITANCE

No output capacitance is necessary.

5. INPUT CAPACITANCE

Determine t_{ON} :

$$t_{ON} = \frac{1}{f_{SW}} - t_{OFF} = \frac{1}{528 \text{ kHz}} - 440 \text{ ns} = 1.45 \mu\text{s} \quad (56)$$

Solve for C_{IN-MIN} :

$$C_{IN-MIN} = \frac{I_{LED} \times t_{ON}}{\Delta V_{IN-PP}} = \frac{1.97A \times 1.45 \mu\text{s}}{1.44V} = 1.98 \mu\text{F} \quad (57)$$

Choose C_{IN} :

$$C_{IN} = C_{IN-MIN} \times 2 = 3.96 \mu\text{F} \quad (58)$$

Determine I_{IN-RMS} :

$$I_{IN-RMS} = I_{LED} \times f_{SW} \times \sqrt{t_{ON} \times t_{OFF}}$$

$$I_{IN-RMS} = 1.97A \times 528 \text{ kHz} \times \sqrt{1.45 \mu\text{s} \times 440 \text{ ns}} = 831 \text{ mA} \quad (59)$$

The chosen components from step 5 are:

$$C_{IN1} = C_{IN2} = 2.2 \mu\text{F} \quad (60)$$

6. PFET

Determine minimum Q1 voltage rating and current rating:

$$V_{T-MAX} = V_{IN-MAX} = 75V \quad (61)$$

$$I_T = D \times I_{LED} = \frac{V_O \times I_{LED}}{V_{IN} \times \eta} = \frac{35V \times 1.97A}{48V \times 0.95} = 1.51A \quad (62)$$

A 100V, 3.8A PFET is chosen with $R_{DS-ON} = 190\text{m}\Omega$ and $Q_g = 20\text{nC}$. Determine I_{T-RMS} and P_T :

$$I_{T-RMS} = I_{LED} \times \sqrt{D \times \left(1 + \frac{1}{12} \times \left(\frac{\Delta i_{L-PP}}{I_{LED}}\right)^2\right)}$$

$$I_{T-RMS} = 1.97A \times \sqrt{\frac{35V}{48V \times 0.95} \times \left(1 + \frac{1}{12} \times \left(\frac{1.027A}{1.97A}\right)^2\right)}$$

$$I_{T-RMS} = 1.74A \quad (63)$$

$$P_T = I_{T-RMS}^2 \times R_{DS-ON} = 1.74A^2 \times 190 \text{ m}\Omega = 577 \text{ mW} \quad (64)$$

The chosen component from step 6 is:

$$\boxed{Q1 \rightarrow 3.8A, 100V, DPAK} \quad (65)$$

7. DIODE

Determine minimum D1 voltage rating and current rating:

$$V_{D-MAX} = V_{IN-MAX} = 75V \quad (66)$$

$$I_D = (1-D) \times I_{LED} = \left(1 - \frac{V_O}{V_{IN} \times \eta}\right) \times I_{LED}$$

$$I_D = \left(1 - \frac{35V}{48V \times 0.95}\right) \times 1.97A = 457 \text{ mA} \quad (67)$$

A 100V, 3A diode is chosen with $V_D = 750\text{mV}$. Determine P_D :

$$P_D = I_D \times V_D = 457 \text{ mA} \times 750 \text{ mV} = 343 \text{ mW} \quad (68)$$

The chosen component from step 7 is:

$$\boxed{D1 \rightarrow 3A, 100V, SMC} \quad (69)$$

8. INPUT UVLO

Solve for R_{UV2} :

$$R_{UV2} = \frac{V_{HYS}}{22 \mu A} = \frac{1.1V}{22 \mu A} = 50 \text{ k}\Omega \quad (70)$$

The closest 1% tolerance resistor is 49.9 k Ω therefore V_{HYS} is:

$$V_{HYS} = R_{UV2} \times 22 \mu A = 49.9 \text{ k}\Omega \times 22 \mu A = 1.1V \quad (71)$$

Solve for R_{UV1} :

$$R_{UV1} = \frac{1.24V \times R_{UV2}}{V_{TURN-ON} - 1.24V} = \frac{1.24V \times 49.9 \text{ k}\Omega}{10V - 1.24V} = 7.06 \text{ k}\Omega \quad (72)$$

The closest 1% tolerance resistor is 6.98 k Ω therefore $V_{TURN-ON}$ is:

$$V_{TURN-ON} = \frac{1.24V \times (R_{UV1} + R_{UV2})}{R_{UV1}}$$

$$V_{TURN-ON} = \frac{1.24V \times (6.98 \text{ k}\Omega + 49.9 \text{ k}\Omega)}{6.98 \text{ k}\Omega} = 10.1V \quad (73)$$

The chosen components from step 8 are:

$$\boxed{\begin{array}{l} R_{UV1} = 6.98 \text{ k}\Omega \\ R_{UV2} = 49.9 \text{ k}\Omega \end{array}} \quad (74)$$

9. IADJ CONNECTION METHOD

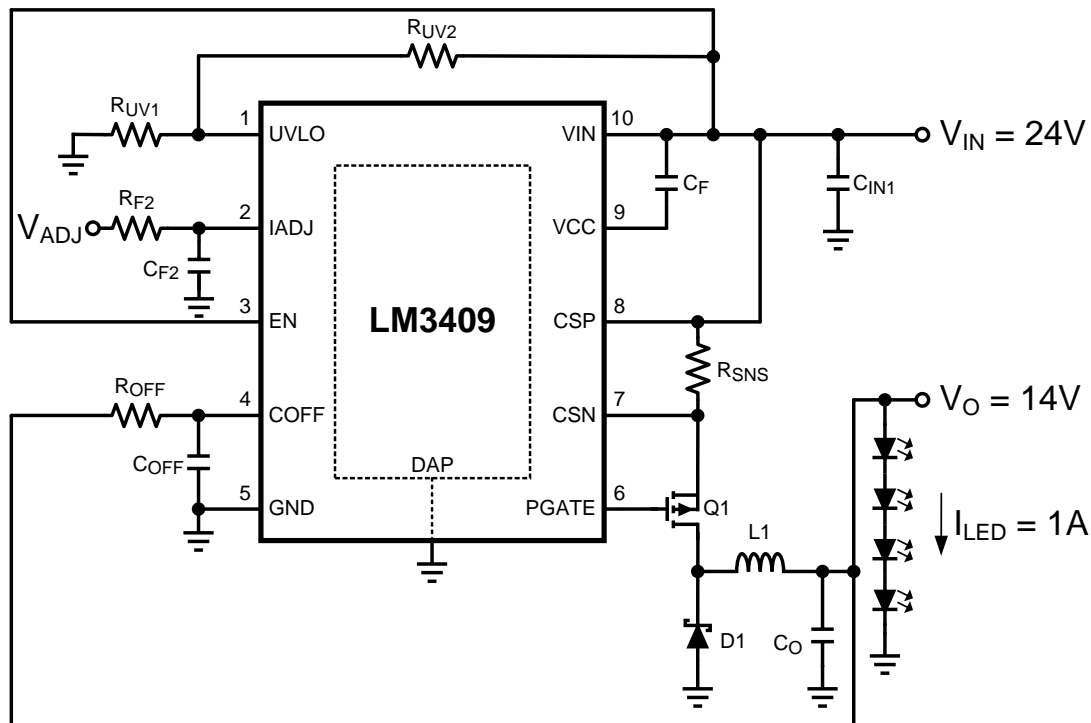
The IADJ pin is left open forcing $V_{ADJ} = 1.24V$.

10. PWM DIMMING METHOD

PWM dimming signal pair is applied to the EN pin and GND at $f_{DIM} = 1 \text{ kHz}$.

Design #1 Bill of Materials

Qty	Part ID	Part Value	Manufacturer	Part Number
1	LM3409HV/LM3409QHVMY	Buck controller	TI	LM3409HVVMY/LM3409QHVMY
2	C _{IN1} , C _{IN2}	2.2µF X7R 10% 100V	MURATA	GRM43ER72A225KA01L
1	C _F	1.0µF X7R 10% 16V	TDK	C1608X7R1C105K
1	C _{OFF}	470pF X7R 10% 50V	TDK	C1608X7R1H471K
1	Q1	PMOS 100V 3.8A	ZETEX	ZXMP10A18KTC
1	D1	Schottky 100V 3A	VISHAY	SS3H10-E3/57T
1	L1	15 µH 20% 4.2A	TDK	SLF12565T-150M4R2
1	R _{OFF}	24.9kΩ 1%	VISHAY	CRCW060324K9FKEA
1	R _{UV1}	6.98kΩ 1%	VISHAY	CRCW06036K98FKEA
1	R _{UV2}	49.9kΩ 1%	VISHAY	CRCW060349K9FKEA
1	R _{SNS}	0.1Ω 1% 1W	VISHAY	WSL2512R1000FEA

Design Example #2
ANALOG DIMMING APPLICATION FOR 4 LEDs

SPECIFICATIONS

$$f_{SW} = 500\text{kHz}$$

$$V_{IN} = 24\text{V}; V_{IN-MAX} = 42\text{V}$$

$$V_O = 14\text{V}$$

$$I_{LED} = 1\text{A}$$

$$\Delta i_{L-PP} = 450\text{mA}; \Delta i_{LED-PP} = 50\text{mA}$$

$$\Delta V_{IN-PP} = 1\text{V}$$

$$V_{TURN-ON} = 10\text{V}; V_{HYS} = 1.1\text{V}$$

$$\eta = 0.90$$

1. NOMINAL SWITCHING FREQUENCY

Assume $C_{OFF} = 470\text{pF}$ and $\eta = 0.90$. Solve for R_{OFF} :

$$R_{OFF} = \frac{-\left(1 - \frac{V_O}{\eta \times V_{IN}}\right)}{C_{OFF} + 20 \text{ pF} \times f_{SW} \times \ln\left(1 - \frac{1.24\text{V}}{V_O}\right)}$$

$$R_{OFF} = \frac{-\left(1 - \frac{14\text{V}}{0.90 \times 24\text{V}}\right)}{490 \text{ pF} \times 500 \text{ kHz} \times \ln\left(1 - \frac{1.24\text{V}}{14\text{V}}\right)} = 15.5 \text{ k}\Omega \quad (75)$$

The closest 1% tolerance resistor is 15.4 k Ω therefore the actual t_{OFF} and target f_{SW} are:

$$t_{OFF} = -(C_{OFF} + 20 \text{ pF}) \times R_{OFF} \times \ln\left(1 - \frac{1.24\text{V}}{V_O}\right)$$

$$t_{OFF} = -490 \text{ pF} \times 15.4 \text{ k}\Omega \times \ln\left(1 - \frac{1.24\text{V}}{14\text{V}}\right) = 700 \text{ ns} \quad (76)$$

$$f_{SW} = \frac{1 - \left(\frac{V_O}{\eta \times V_{IN}}\right)}{t_{OFF}} = \frac{1 - \left(\frac{14\text{V}}{0.90 \times 24\text{V}}\right)}{700 \text{ ns}} = 503 \text{ kHz} \quad (77)$$

The chosen components from step 1 are:

$C_{OFF} = 470 \text{ pF}$ $R_{OFF} = 15.4 \text{ k}\Omega$
--

(78)

2. INDUCTOR RIPPLE CURRENT

Solve for L1:

$$L1 = \frac{V_O \times t_{OFF}}{\Delta i_{L-PP}} = \frac{14\text{V} \times 700 \text{ ns}}{450 \text{ mA}} = 21.8 \mu\text{H} \quad (79)$$

The closest standard inductor value is 22 μH therefore the actual Δi_{L-PP} is:

$$\Delta i_{L-PP} = \frac{V_O \times t_{OFF}}{L1} = \frac{14\text{V} \times 700 \text{ ns}}{22 \mu\text{H}} = 445 \text{ mA} \quad (80)$$

The chosen component from step 2 is:

$L1 = 22 \mu\text{H}$

(81)

3. AVERAGE LED CURRENT

Determine I_{L-MAX} :

$$I_{L-MAX} = I_{LED} + \frac{\Delta i_{L-PP}}{2} = 1\text{A} + \frac{445 \text{ mA}}{2} = 1.22\text{A} \quad (82)$$

Assume $V_{ADJ} = 1.24\text{V}$ and solve for R_{SNS} :

$$R_{\text{SNS}} = \frac{V_{\text{ADJ}}}{5 \times I_{\text{L-MAX}}} = \frac{1.24\text{V}}{5 \times 1.22\text{A}} = 0.203\Omega \quad (83)$$

The closest 1% tolerance resistor is 0.2 Ω therefore I_{LED} is:

$$I_{\text{LED}} = \frac{V_{\text{ADJ}}}{5 \times R_{\text{SNS}}} - \frac{\Delta i_{\text{L-PP}}}{2} = \frac{1.24\text{V}}{5 \times 0.2\Omega} - \frac{445\text{mA}}{2} = 1.02\text{A} \quad (84)$$

The chosen component from step 3 is:

$$R_{\text{SNS}} = 0.2\Omega \quad (85)$$

4. OUTPUT CAPACITANCE

Assume $r_D = 2 \Omega$ and determine Z_C :

$$Z_C = \frac{r_D \times \Delta i_{\text{LED-PP}}}{\Delta i_{\text{L-PP}} - \Delta i_{\text{LED-PP}}} = \frac{2\Omega \times 50\text{mA}}{450\text{mA} - 50\text{mA}} = 250\text{m}\Omega \quad (86)$$

Solve for $C_{\text{O-MIN}}$ and :

$$C_{\text{O-MIN}} = \frac{1}{2 \times \pi \times f_{\text{SW}} \times Z_C}$$

$$C_{\text{O-MIN}} = \frac{1}{2 \times \pi \times 503\text{kHz} \times 250\text{m}\Omega} = 1.27\mu\text{F} \quad (87)$$

Choose C_O :

$$C_O = C_{\text{O-MIN}} \times 1.75 = 2.2\mu\text{F} \quad (88)$$

The chosen component from step 5 is:

$$C_O = 2.2\mu\text{F} \quad (89)$$

5. INPUT CAPACITANCE

Determine t_{ON} :

$$t_{\text{ON}} = \frac{1}{f_{\text{SW}}} - t_{\text{OFF}} = \frac{1}{503\text{kHz}} - 700\text{ns} = 1.29\mu\text{s} \quad (90)$$

Solve for $C_{\text{IN-MIN}}$:

$$C_{\text{IN-MIN}} = \frac{I_{\text{LED}} \times t_{\text{ON}}}{\Delta V_{\text{IN-PP}}} = \frac{1.02\text{A} \times 1.29\mu\text{s}}{720\text{mV}} = 1.82\mu\text{F} \quad (91)$$

Choose C_{IN} :

$$C_{\text{IN}} = C_{\text{IN-MIN}} \times 2 = 3.64\mu\text{F} \quad (92)$$

Determine $I_{\text{IN-RMS}}$:

$$I_{\text{IN-RMS}} = I_{\text{LED}} \times f_{\text{SW}} \times \sqrt{t_{\text{ON}} \times t_{\text{OFF}}}$$

$$I_{\text{IN-RMS}} = 1.02\text{A} \times 503\text{kHz} \times \sqrt{1.29\mu\text{s} \times 700\text{ns}} = 486\text{mA} \quad (93)$$

The chosen component from step 5 is:

$$C_{\text{IN}} = 4.7\mu\text{F} \quad (94)$$

6. PFET

Determine minimum Q1 voltage rating and current rating:

$$V_{T-MAX} = V_{IN-MAX} = 42V \quad (95)$$

$$I_T = D \times I_{LED} = \frac{V_O \times I_{LED}}{V_{IN} \times \eta} = \frac{14V \times 1.02A}{24V \times 0.90} = 660 \text{ mA} \quad (96)$$

A 70V, 5.7A PFET is chosen with $R_{DS-ON} = 190\text{m}\Omega$ and $Q_g = 20\text{nC}$. Determine I_{T-RMS} and P_T :

$$I_{T-RMS} = I_{LED} \times \sqrt{D \times \left(1 + \frac{1}{12} \times \left(\frac{\Delta I_{L-PP}}{I_{LED}}\right)^2\right)}$$

$$I_{T-RMS} = 1.02A \times \sqrt{\frac{14V}{24V \times 0.90} \times \left(1 + \frac{1}{12} \times \left(\frac{445 \text{ mA}}{1.02A}\right)^2\right)}$$

$$I_{T-RMS} = 830 \text{ mA} \quad (97)$$

$$P_T = I_{T-RMS}^2 \times R_{DS-ON} = 830 \text{ mA}^2 \times 190 \text{ m}\Omega = 129 \text{ mW} \quad (98)$$

The chosen component from step 6 is:

$$\boxed{Q1 \rightarrow 5.7A, 70V, DPAK} \quad (99)$$

7. DIODE

Determine minimum D1 voltage rating and current rating:

$$V_{D-MAX} = V_{IN-MAX} = 42V \quad (100)$$

$$I_D = (1 - D) \times I_{LED} = \left(1 - \frac{V_O}{V_{IN} \times \eta}\right) \times I_{LED}$$

$$I_D = \left(1 - \frac{14V}{24V \times 0.90}\right) \times 1.02A = 358 \text{ mA} \quad (101)$$

A 60V, 5A diode is chosen with $V_D = 750\text{mV}$. Determine P_D :

$$P_D = I_D \times V_D = 358 \text{ mA} \times 750 \text{ mV} = 268 \text{ mW} \quad (102)$$

The chosen component from step 7 is:

$$\boxed{D1 \rightarrow 5A, 60V, SMC} \quad (103)$$

8. INPUT UVLO

Solve for R_{UV2} :

$$R_{UV2} = \frac{V_{HYS}}{22 \mu A} = \frac{1.1V}{22 \mu A} = 50 \text{ k}\Omega \quad (104)$$

The closest 1% tolerance resistor is 49.9 k Ω therefore V_{HYS} is:

$$V_{HYS} = R_{UV2} \times 22 \mu A = 49.9 \text{ k}\Omega \times 22 \mu A = 1.1V \quad (105)$$

Solve for R_{UV1} :

$$R_{UV1} = \frac{1.24V \times R_{UV2}}{V_{TURN-ON} - 1.24V} = \frac{1.24V \times 49.9 \text{ k}\Omega}{10V - 1.24V} = 7.06 \text{ k}\Omega \quad (106)$$

The closest 1% tolerance resistor is 6.98 kΩ therefore $V_{\text{TURN-ON}}$ is:

$$V_{\text{TURN-ON}} = \frac{1.24\text{V} \times (R_{\text{UV1}} + R_{\text{UV2}})}{R_{\text{UV1}}}$$

$$V_{\text{TURN-ON}} = \frac{1.24\text{V} \times (6.98\text{ k}\Omega + 49.9\text{ k}\Omega)}{6.98\text{ k}\Omega} = 10.1\text{V} \quad (107)$$

The chosen components from step 8 are:

$R_{\text{UV1}} = 6.98\text{ k}\Omega$
$R_{\text{UV2}} = 49.9\text{ k}\Omega$

(108)

9. IADJ CONNECTION METHOD

The IADJ pin is connected to an external voltage source and varied from 0 – 1.24V to dim. An RC filter ($R_{\text{F2}} = 1\text{ k}\Omega$ and $C_{\text{F2}} = 0.1\mu\text{F}$) is used as recommended.

10. PWM DIMMING METHOD

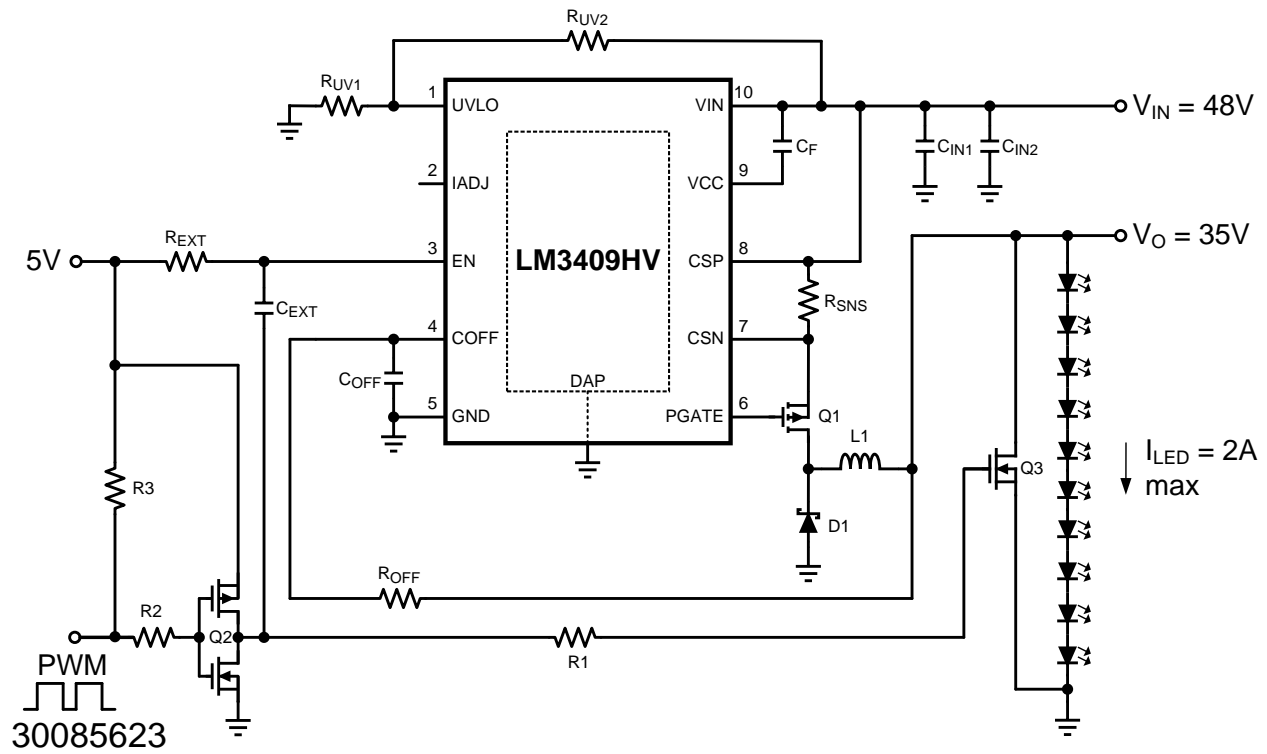
No PWM dimming is necessary.

Design #2 Bill of Materials

Qty	Part ID	Part Value	Manufacturer	Part Number
1	LM3409/LM3409Q	Buck controller	TI	LM3409MY/LM3409QMY
2	C_{IN1}	4.7μF X7R 10% 50V	MURATA	GRM55ER71H475MA01L
1	C_{F}	1.0μF X7R 10% 16V	TDK	C1608X7R1C105K
1	C_{F2}	0.1μF X7R 10% 16V	TDK	C1608X7R1C104K
1	C_{OFF}	470pF X7R 10% 50V	TDK	C1608X7R1H471K
1	C_{O}	2.2μF X7R 10% 50V	MURATA	GRM43ER71H225MA01L
1	Q1	PMOS 70V 5.7A	ZETEX	ZXMP7A17KTC
1	D1	Schottky 60V 5A	COMCHIP	CDBC560-G
1	L1	22 μH 20% 4.2A	TDK	SLF12575T-220M4R0
1	R_{F2}	1.0kΩ 1%	VISHAY	CRCW06031K00FKEA
1	R_{OFF}	15.4kΩ 1%	VISHAY	CRCW060315K4FKEA
1	R_{UV1}	6.98kΩ 1%	VISHAY	CRCW06036K98FKEA
1	R_{UV2}	49.9kΩ 1%	VISHAY	CRCW060349K9FKEA
1	R_{SNS}	0.2Ω 1% 1W	VISHAY	WSL2512R2000FEA

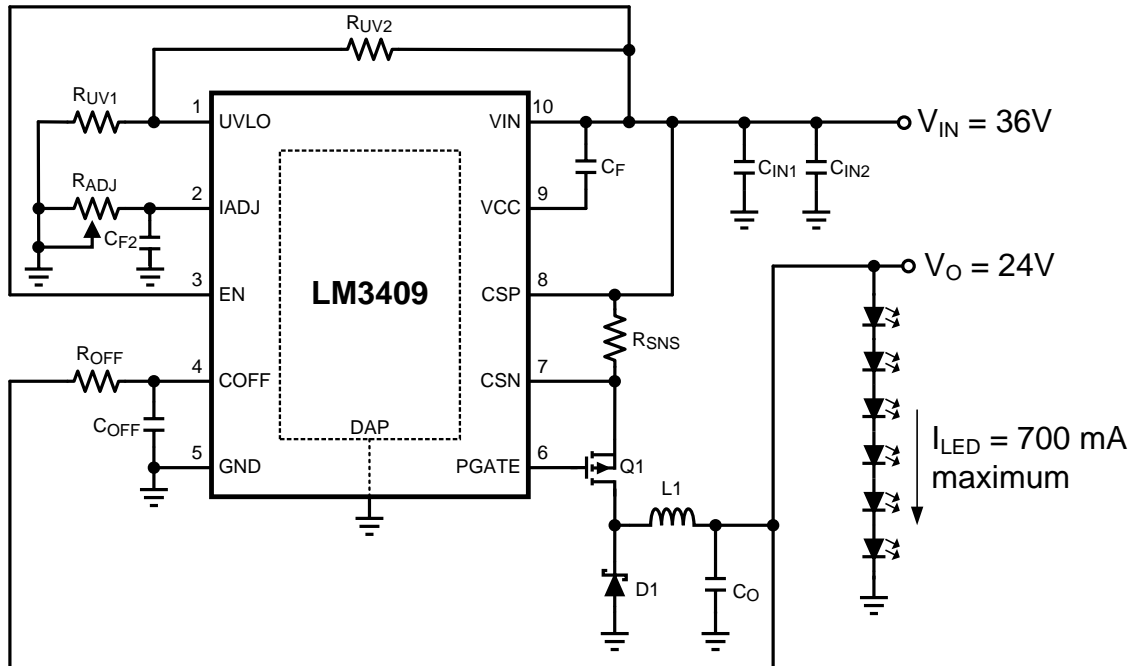
APPLICATIONS INFORMATION

DESIGN #3: EXTERNAL PARALLEL FET PWM DIMMING APPLICATION FOR 10 LEDs



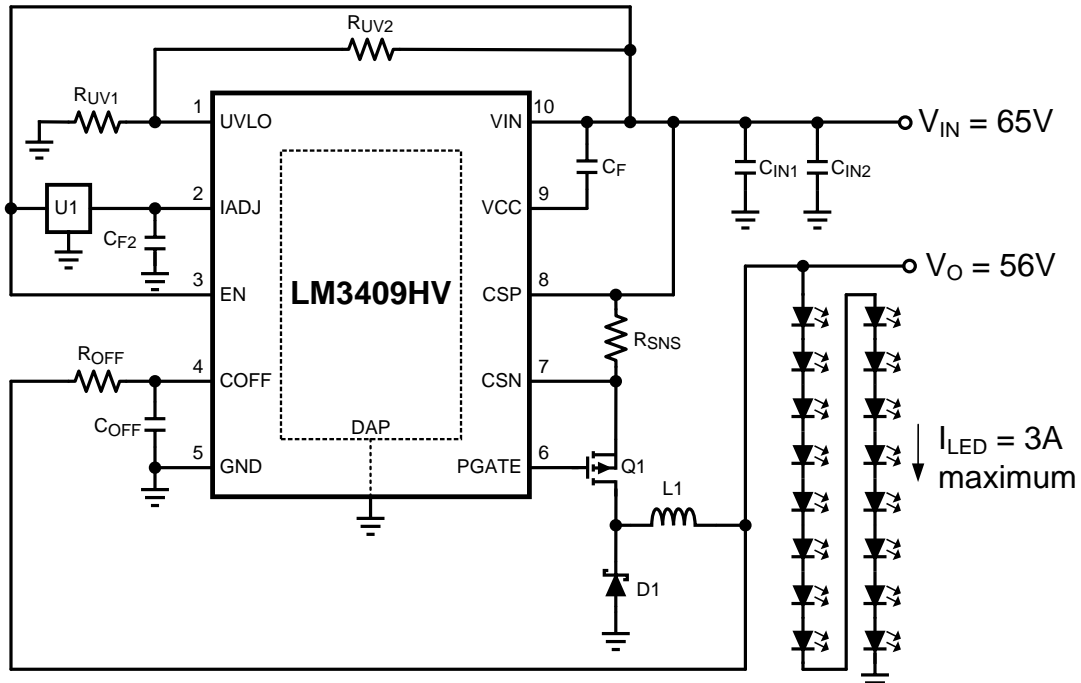
Design #3 Bill of Materials

Qty	Part ID	Part Value	Manufacturer	Part Number
1	LM3409HV/LM3409QHVM	Buck controller	TI	LM3409HVMY/LM3409QHVM Y
2	C _{IN1} , C _{IN2}	2.2µF X7R 10% 100V	MURATA	GRM43ER72A225KA01L
1	C _F	1.0µF X7R 10% 16V	TDK	C1608X7R1C105K
1	C _{OFF}	470pF X7R 10% 50V	TDK	C1608X7R1H471K
1	C1	2200pF X7R 10% 50V	MURATA	GRM188R71H222KA01D
1	Q1	PMOS 100V 3.8A	ZETEX	ZXMP10A18KTC
1	Q2	CMOS 30V 2A	FAIRCHILD	FDC6333C
1	Q3	NMOS 100V 7.5A	FAIRCHILD	FDS3672
1	D1	Schottky 100V 3A	VISHAY	SS3H10-E3/57T
1	L1	15 µH 20% 4.2A	TDK	SLF12565T-150M4R2
2	R1, R2	1Ω 1%	VISHAY	CRCW06031R00FNEA
1	R3	10kΩ 1%	VISHAY	CRCW060310K0FKEA
1	R _{EXT}	100Ω 1%	VISHAY	CRCW0603100RFKEA
1	R _{OFF}	24.9kΩ 1%	VISHAY	CRCW060324K9FKEA
1	R _{UV1}	6.98kΩ 1%	VISHAY	CRCW06036K98FKEA
1	R _{UV2}	49.9kΩ 1%	VISHAY	CRCW060349K9FKEA
1	R _{SNS}	0.1Ω 1% 1W	VISHAY	WSL2512R1000FEA

DESIGN #4: SINGLE POTENTIOMETER ANALOG DIMMING APPLICATION FOR 6 LEDS

Design #4 Bill of Materials

Qty	Part ID	Part Value	Manufacturer	Part Number
1	LM3409/LM3409Q	Buck controller	TI	LM3409MY/LM3409QMY
2	C _{IN1} , C _{IN2}	2.2µF X7R 10% 50V	MURATA	GRM43ER71H225MA01L
1	C _F	1.0µF X7R 10% 16V	TDK	C1608X7R1C105K
1	C _{F2}	0.1µF X7R 10% 16V	TDK	C1608X7R1C104K
1	C _{OFF}	470pF X7R 10% 50V	TDK	C1608X7R1H471K
1	C _O	1.0µF X7R 10% 50V	MURATA	GRM32RR71H105KA01L
1	Q1	PMOS 60V 3A	ZETEX	ZXMP6A17GTA
1	D1	Schottky 60V 2A	ST-MICRO	STPS2L60A
1	L1	68 µH 20% 2A	TDK	SLF12565T-680M2R0
1	R _{OFF}	25.5kΩ 1%	VISHAY	CRCW060325K5FKEA
1	R _{UV1}	6.98kΩ 1%	VISHAY	CRCW06036K98FKEA
1	R _{UV2}	49.9kΩ 1%	VISHAY	CRCW060349K9FKEA
1	R _{SNS}	0.3Ω 1% 1W	VISHAY	WSL2512R3000FEA
1	R _{ADJ}	250kΩ potentiometer	BOURNS	3352P-1-254

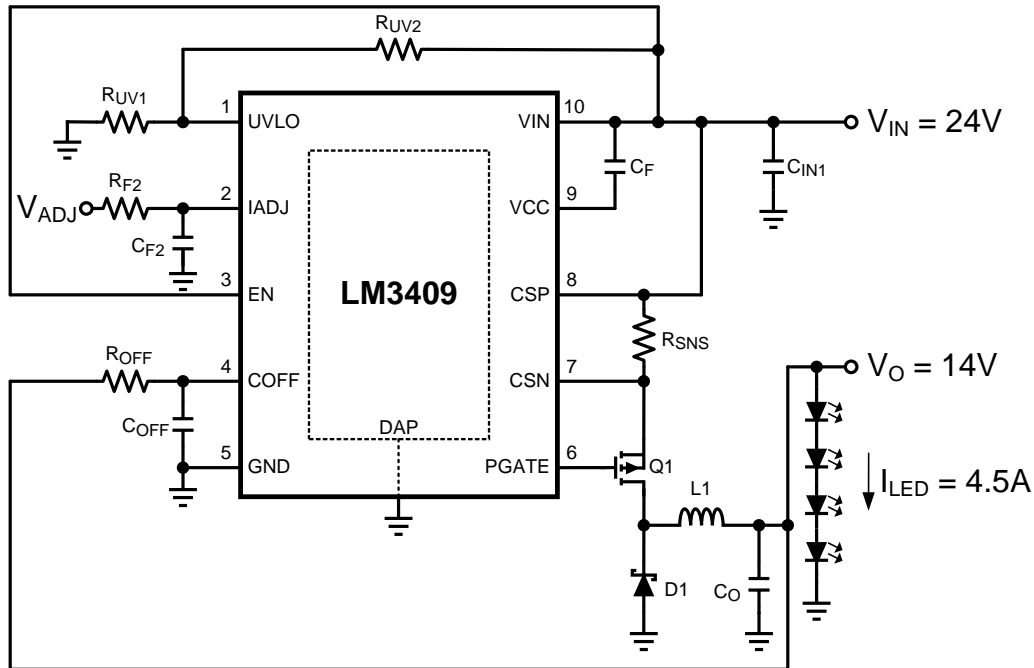
DESIGN #5: 75°C THERMAL FOLDBACK APPLICATION FOR 16 LEDs



Design #5 Bill of Materials

*U2 could be replaced with a 500kΩ NTC thermistor connected from IADJ to GND.

Qty	Part ID	Part Value	Manufacturer	Part Number
1	LM3409HV/LM3409QHV	Buck controller	TI	LM3409HVMY/LM3409QHVMY
1	U1	Analog Temperature Sensor	TI	LM94022
2	C _{IN1} , C _{IN2}	2.2μF X7R 10% 100V	MURATA	GRM43ER72A225KA01L
1	C _F	1.0μF X7R 10% 16V	TDK	C1608X7R1C105K
1	C _{F2}	0.1μF X7R 10% 16V	TDK	C1608X7R1C104K
1	C _{OFF}	470pF X7R 10% 50V	TDK	C1608X7R1H471K
1	Q1	PMOS 100V 3.8A	ZETEX	ZXMP10A18KTC
1	D1	Schottky 100V 3A	COMCHIP	SS3H10-E3/57T
1	L1	15 μH 20% 4.7A	TDK	SLF12575T-150M4R7
1	R _{OFF}	24.9kΩ 1%	VISHAY	CRCW060324K9FKEA
1	R _{UV1}	6.98kΩ 1%	VISHAY	CRCW06036K98FKEA
1	R _{UV2}	49.9kΩ 1%	VISHAY	CRCW060349K9FKEA
1	R _{SNS}	0.07Ω 1% 1W	VISHAY	WSL2512R0700FEA

DESIGN #6: HIGH CURRENT APPLICATION FOR 4 LEDs

Design #6 Bill of Materials

*U2 could be replaced with a 500kΩ NTC thermistor connected from IADJ to GND.

Qty	Part ID	Part Value	Manufacturer	Part Number
1	LM3409/LM3409Q	Buck controller	TI	LM3409MY/LM3409QMY
2	C _{IN1}	10μF X7R 10% 50V	TDK	C5750X7R1H106K
1	C _F	1.0μF X7R 10% 16V	TDK	C1608X7R1C105K
1	C _{F2}	0.1μF X7R 10% 16V	TDK	C1608X7R1C104K
1	C _{OFF}	470pF X7R 10% 50V	TDK	C1608X7R1H471K
1	C _O	1.0μF X7R 10% 50V	MURATA	GRM32RR71H105KA01L
1	Q1	PMOS 30V 24A	ST-MICRO	STD30PF03LT4
1	D1	Schottky 30V 5A	VISHAY	SSC53L-E3/57T
1	L1	15 μH 20% 7.5A	COILCRAFT	DO5022P-153ML
1	R _{F2}	1.0kΩ 1%	VISHAY	CRCW06031K00FKEA
1	R _{OFF}	23.2kΩ 1%	VISHAY	CRCW060323K2FKEA
1	R _{UV1}	6.98kΩ 1%	VISHAY	CRCW06036K98FKEA
1	R _{UV2}	49.9kΩ 1%	VISHAY	CRCW060349K9FKEA
1	R _{SNS}	0.05Ω 1% 1W	VISHAY	WSL2512R0500FEA

REVISION HISTORY

Changes from Revision I (May 2013) to Revision J	Page
• Changed layout of National Data Sheet to TI format	35

PACKAGING INFORMATION

Orderable Device	Status (1)	Package Type	Package Drawing	Pins	Package Qty	Eco Plan (2)	Lead/Ball Finish	MSL Peak Temp (3)	Op Temp (°C)	Top-Side Markings (4)	Samples
LM3409HVMY/NOPB	ACTIVE	MSOP- PowerPAD	DGQ	10	1000	Green (RoHS & no Sb/Br)	CU SN	Level-3-260C-168 HR	-40 to 125	SYHB	Samples
LM3409HVMYX/NOPB	ACTIVE	MSOP- PowerPAD	DGQ	10	3500	Green (RoHS & no Sb/Br)	CU SN	Level-3-260C-168 HR	-40 to 125	SYHB	Samples
LM3409MY/NOPB	ACTIVE	MSOP- PowerPAD	DGQ	10	1000	Green (RoHS & no Sb/Br)	CU SN	Level-3-260C-168 HR	-40 to 125	SXFB	Samples
LM3409MYX/NOPB	ACTIVE	MSOP- PowerPAD	DGQ	10	3500	Green (RoHS & no Sb/Br)	CU SN	Level-3-260C-168 HR	-40 to 125	SXFB	Samples
LM3409N/NOPB	ACTIVE	PDIP	NFF	14	25	Green (RoHS & no Sb/Br)	CU SN	Level-1-NA-UNLIM		LM3409N	Samples
LM3409QHVMY/NOPB	ACTIVE	MSOP- PowerPAD	DGQ	10	1000	Green (RoHS & no Sb/Br)	CU SN	Level-3-260C-168 HR	-40 to 125	SZEB	Samples
LM3409QHVMYX/NOPB	ACTIVE	MSOP- PowerPAD	DGQ	10	3500	Green (RoHS & no Sb/Br)	CU SN	Level-3-260C-168 HR	-40 to 125	SZEB	Samples
LM3409QMY/NOPB	ACTIVE	MSOP- PowerPAD	DGQ	10	1000	Green (RoHS & no Sb/Br)	CU SN	Level-3-260C-168 HR	-40 to 125	SZDB	Samples
LM3409QMYX/NOPB	ACTIVE	MSOP- PowerPAD	DGQ	10	3500	Green (RoHS & no Sb/Br)	CU SN	Level-3-260C-168 HR	-40 to 125	SZDB	Samples

(1) The marketing status values are defined as follows:

ACTIVE: Product device recommended for new designs.

LIFEBUY: TI has announced that the device will be discontinued, and a lifetime-buy period is in effect.

NRND: Not recommended for new designs. Device is in production to support existing customers, but TI does not recommend using this part in a new design.

PREVIEW: Device has been announced but is not in production. Samples may or may not be available.

OBSOLETE: TI has discontinued the production of the device.

(2) Eco Plan - The planned eco-friendly classification: Pb-Free (RoHS), Pb-Free (RoHS Exempt), or Green (RoHS & no Sb/Br) - please check <http://www.ti.com/productcontent> for the latest availability information and additional product content details.

TBD: The Pb-Free/Green conversion plan has not been defined.

Pb-Free (RoHS): TI's terms "Lead-Free" or "Pb-Free" mean semiconductor products that are compatible with the current RoHS requirements for all 6 substances, including the requirement that lead not exceed 0.1% by weight in homogeneous materials. Where designed to be soldered at high temperatures, TI Pb-Free products are suitable for use in specified lead-free processes.

Pb-Free (RoHS Exempt): This component has a RoHS exemption for either 1) lead-based flip-chip solder bumps used between the die and package, or 2) lead-based die adhesive used between the die and leadframe. The component is otherwise considered Pb-Free (RoHS compatible) as defined above.

Green (RoHS & no Sb/Br): TI defines "Green" to mean Pb-Free (RoHS compatible), and free of Bromine (Br) and Antimony (Sb) based flame retardants (Br or Sb do not exceed 0.1% by weight in homogeneous material)

⁽³⁾ MSL, Peak Temp. -- The Moisture Sensitivity Level rating according to the JEDEC industry standard classifications, and peak solder temperature.

⁽⁴⁾ Multiple Top-Side Markings will be inside parentheses. Only one Top-Side Marking contained in parentheses and separated by a "~" will appear on a device. If a line is indented then it is a continuation of the previous line and the two combined represent the entire Top-Side Marking for that device.

Important Information and Disclaimer:The information provided on this page represents TI's knowledge and belief as of the date that it is provided. TI bases its knowledge and belief on information provided by third parties, and makes no representation or warranty as to the accuracy of such information. Efforts are underway to better integrate information from third parties. TI has taken and continues to take reasonable steps to provide representative and accurate information but may not have conducted destructive testing or chemical analysis on incoming materials and chemicals. TI and TI suppliers consider certain information to be proprietary, and thus CAS numbers and other limited information may not be available for release.

In no event shall TI's liability arising out of such information exceed the total purchase price of the TI part(s) at issue in this document sold by TI to Customer on an annual basis.

OTHER QUALIFIED VERSIONS OF LM3409, LM3409-Q1 :

- Catalog: [LM3409](#)
- Automotive: [LM3409-Q1](#)

NOTE: Qualified Version Definitions:

- Catalog - TI's standard catalog product
- Automotive - Q100 devices qualified for high-reliability automotive applications targeting zero defects

TAPE AND REEL INFORMATION

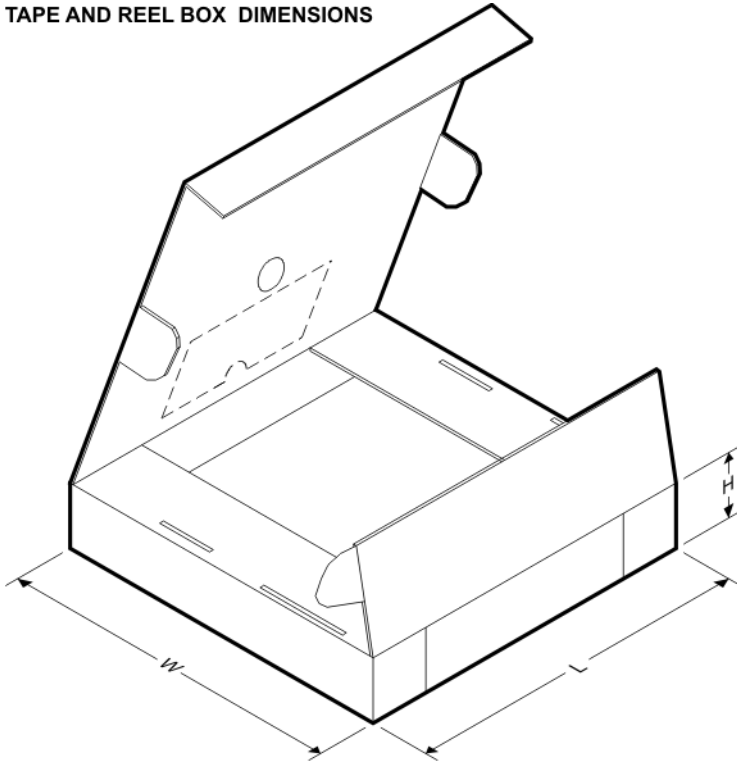
QUADRANT ASSIGNMENTS FOR PIN 1 ORIENTATION IN TAPE


*All dimensions are nominal

Device	Package Type	Package Drawing	Pins	SPQ	Reel Diameter (mm)	Reel Width W1 (mm)	A0 (mm)	B0 (mm)	K0 (mm)	P1 (mm)	W (mm)	Pin1 Quadrant
LM3409HVMY/NOPB	MSOP-Power PAD	DGQ	10	1000	178.0	12.4	5.3	3.4	1.4	8.0	12.0	Q1
LM3409HVMYX/NOPB	MSOP-Power PAD	DGQ	10	3500	330.0	12.4	5.3	3.4	1.4	8.0	12.0	Q1
LM3409MY/NOPB	MSOP-Power PAD	DGQ	10	1000	178.0	12.4	5.3	3.4	1.4	8.0	12.0	Q1
LM3409MYX/NOPB	MSOP-Power PAD	DGQ	10	3500	330.0	12.4	5.3	3.4	1.4	8.0	12.0	Q1
LM3409QHVMY/NOPB	MSOP-Power PAD	DGQ	10	1000	178.0	12.4	5.3	3.4	1.4	8.0	12.0	Q1
LM3409QHVMYX/NOPB	MSOP-Power PAD	DGQ	10	3500	330.0	12.4	5.3	3.4	1.4	8.0	12.0	Q1
LM3409QMY/NOPB	MSOP-Power PAD	DGQ	10	1000	178.0	12.4	5.3	3.4	1.4	8.0	12.0	Q1
LM3409QMYX/NOPB	MSOP-	DGQ	10	3500	330.0	12.4	5.3	3.4	1.4	8.0	12.0	Q1

Device	Package Type	Package Drawing	Pins	SPQ	Reel Diameter (mm)	Reel Width W1 (mm)	A0 (mm)	B0 (mm)	K0 (mm)	P1 (mm)	W (mm)	Pin1 Quadrant
	Power PAD											

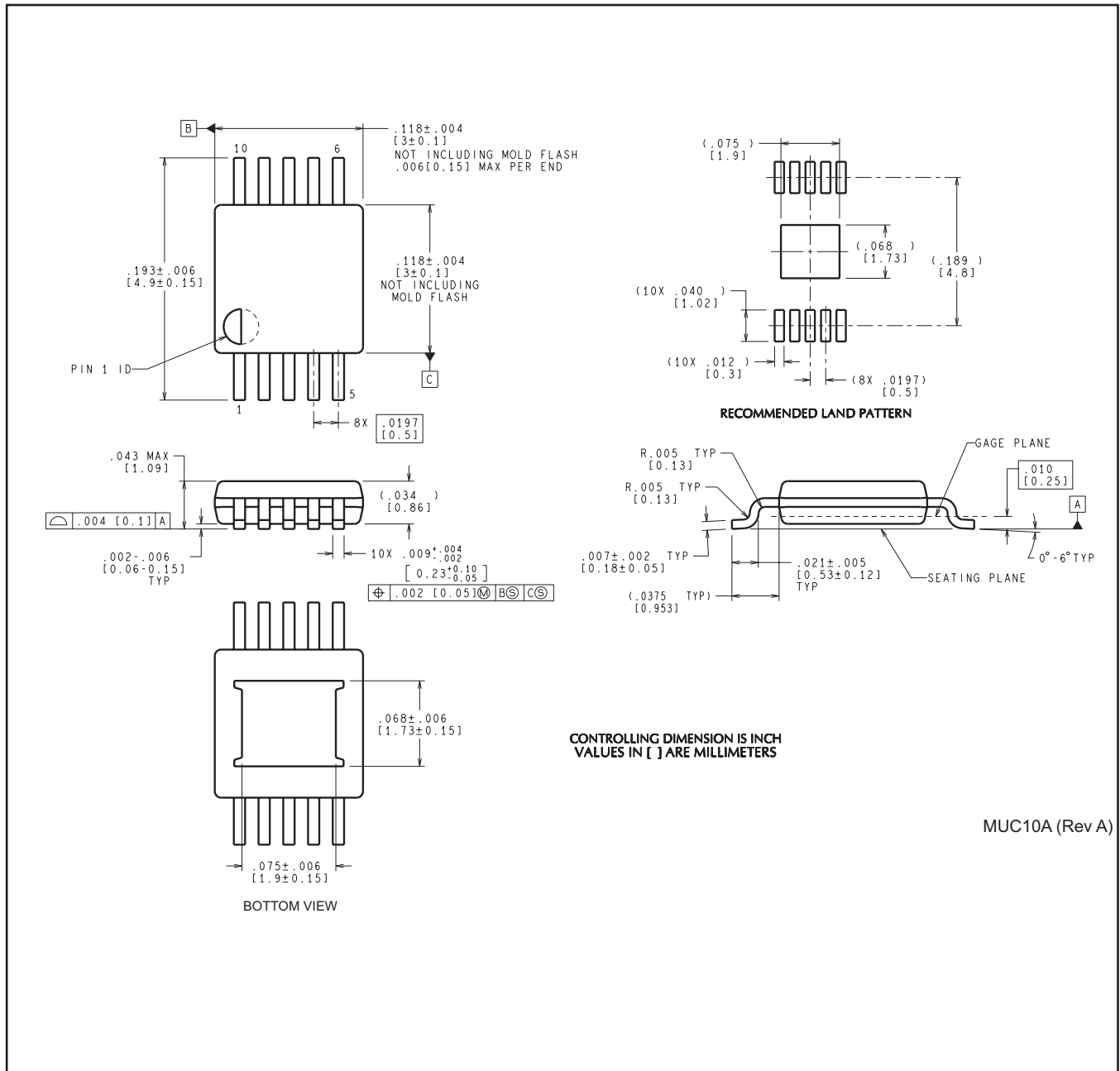
TAPE AND REEL BOX DIMENSIONS



*All dimensions are nominal

Device	Package Type	Package Drawing	Pins	SPQ	Length (mm)	Width (mm)	Height (mm)
LM3409HVMY/NOPB	MSOP-PowerPAD	DGQ	10	1000	213.0	191.0	55.0
LM3409HVMYX/NOPB	MSOP-PowerPAD	DGQ	10	3500	367.0	367.0	35.0
LM3409MY/NOPB	MSOP-PowerPAD	DGQ	10	1000	213.0	191.0	55.0
LM3409MYX/NOPB	MSOP-PowerPAD	DGQ	10	3500	367.0	367.0	35.0
LM3409QHVMY/NOPB	MSOP-PowerPAD	DGQ	10	1000	213.0	191.0	55.0
LM3409QHVMYX/NOPB	MSOP-PowerPAD	DGQ	10	3500	367.0	367.0	35.0
LM3409QMY/NOPB	MSOP-PowerPAD	DGQ	10	1000	213.0	191.0	55.0
LM3409QMYX/NOPB	MSOP-PowerPAD	DGQ	10	3500	367.0	367.0	35.0

DGQ0010A



MUC10A (Rev A)

IMPORTANT NOTICE

Texas Instruments Incorporated and its subsidiaries (TI) reserve the right to make corrections, enhancements, improvements and other changes to its semiconductor products and services per JESD46, latest issue, and to discontinue any product or service per JESD48, latest issue. Buyers should obtain the latest relevant information before placing orders and should verify that such information is current and complete. All semiconductor products (also referred to herein as "components") are sold subject to TI's terms and conditions of sale supplied at the time of order acknowledgment.

TI warrants performance of its components to the specifications applicable at the time of sale, in accordance with the warranty in TI's terms and conditions of sale of semiconductor products. Testing and other quality control techniques are used to the extent TI deems necessary to support this warranty. Except where mandated by applicable law, testing of all parameters of each component is not necessarily performed.

TI assumes no liability for applications assistance or the design of Buyers' products. Buyers are responsible for their products and applications using TI components. To minimize the risks associated with Buyers' products and applications, Buyers should provide adequate design and operating safeguards.

TI does not warrant or represent that any license, either express or implied, is granted under any patent right, copyright, mask work right, or other intellectual property right relating to any combination, machine, or process in which TI components or services are used. Information published by TI regarding third-party products or services does not constitute a license to use such products or services or a warranty or endorsement thereof. Use of such information may require a license from a third party under the patents or other intellectual property of the third party, or a license from TI under the patents or other intellectual property of TI.

Reproduction of significant portions of TI information in TI data books or data sheets is permissible only if reproduction is without alteration and is accompanied by all associated warranties, conditions, limitations, and notices. TI is not responsible or liable for such altered documentation. Information of third parties may be subject to additional restrictions.

Resale of TI components or services with statements different from or beyond the parameters stated by TI for that component or service voids all express and any implied warranties for the associated TI component or service and is an unfair and deceptive business practice. TI is not responsible or liable for any such statements.

Buyer acknowledges and agrees that it is solely responsible for compliance with all legal, regulatory and safety-related requirements concerning its products, and any use of TI components in its applications, notwithstanding any applications-related information or support that may be provided by TI. Buyer represents and agrees that it has all the necessary expertise to create and implement safeguards which anticipate dangerous consequences of failures, monitor failures and their consequences, lessen the likelihood of failures that might cause harm and take appropriate remedial actions. Buyer will fully indemnify TI and its representatives against any damages arising out of the use of any TI components in safety-critical applications.

In some cases, TI components may be promoted specifically to facilitate safety-related applications. With such components, TI's goal is to help enable customers to design and create their own end-product solutions that meet applicable functional safety standards and requirements. Nonetheless, such components are subject to these terms.

No TI components are authorized for use in FDA Class III (or similar life-critical medical equipment) unless authorized officers of the parties have executed a special agreement specifically governing such use.

Only those TI components which TI has specifically designated as military grade or "enhanced plastic" are designed and intended for use in military/aerospace applications or environments. Buyer acknowledges and agrees that any military or aerospace use of TI components which have **not** been so designated is solely at the Buyer's risk, and that Buyer is solely responsible for compliance with all legal and regulatory requirements in connection with such use.

TI has specifically designated certain components as meeting ISO/TS16949 requirements, mainly for automotive use. In any case of use of non-designated products, TI will not be responsible for any failure to meet ISO/TS16949.

Products

Audio	www.ti.com/audio
Amplifiers	amplifier.ti.com
Data Converters	dataconverter.ti.com
DLP® Products	www.dlp.com
DSP	dsp.ti.com
Clocks and Timers	www.ti.com/clocks
Interface	interface.ti.com
Logic	logic.ti.com
Power Mgmt	power.ti.com
Microcontrollers	microcontroller.ti.com
RFID	www.ti-rfid.com
OMAP Applications Processors	www.ti.com/omap
Wireless Connectivity	www.ti.com/wirelessconnectivity

Applications

Automotive and Transportation	www.ti.com/automotive
Communications and Telecom	www.ti.com/communications
Computers and Peripherals	www.ti.com/computers
Consumer Electronics	www.ti.com/consumer-apps
Energy and Lighting	www.ti.com/energy
Industrial	www.ti.com/industrial
Medical	www.ti.com/medical
Security	www.ti.com/security
Space, Avionics and Defense	www.ti.com/space-avionics-defense
Video and Imaging	www.ti.com/video

TI E2E Community

e2e.ti.com