

# LM158, LM158A, LM258, LM258A LM358, LM358A, LM2904, LM2904Q DUAL OPERATIONAL AMPLIFIERS

SLOS068E – JUNE 1976 – REVISED SEPTEMBER 2002

- **Wide Range of Supply Voltages:**
  - Single Supply . . . 3 V to 30 V (LM2904 and LM2904Q . . . 3 V to 26 V) or
  - Dual Supplies
- **Low Supply-Current Drain Independent of Supply Voltage . . . 0.7 mA Typ**
- **Common-Mode Input Voltage Range Includes Ground, Allowing Direct Sensing Near Ground**
- **Low Input Bias and Offset Parameters:**
  - Input Offset Voltage . . . 3 mV Typ  
A Versions . . . 2 mV Typ
  - Input Offset Current . . . 2 nA Typ
  - Input Bias Current . . . 20 nA Typ  
A Versions . . . 15 nA Typ
- **Differential Input Voltage Range Equal to Maximum-Rated Supply Voltage . . .  $\pm 32$  V (LM2904 and LM2904Q . . .  $\pm 26$  V)**
- **Open-Loop Differential Voltage Amplification . . . 100 V/mV Typ**
- **Internal Frequency Compensation**

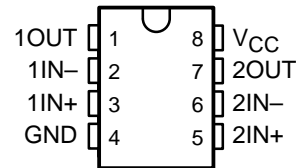
## description/ordering information

These devices consist of two independent, high-gain, frequency-compensated operational amplifiers designed to operate from a single supply over a wide range of voltages. Operation from split supplies also is possible if the difference between the two supplies is 3 V to 30 V (3 V to 26 V for the LM2904 and LM2904Q), and  $V_{CC}$  is at least 1.5 V more positive than the input common-mode voltage. The low supply-current drain is independent of the magnitude of the supply voltage.

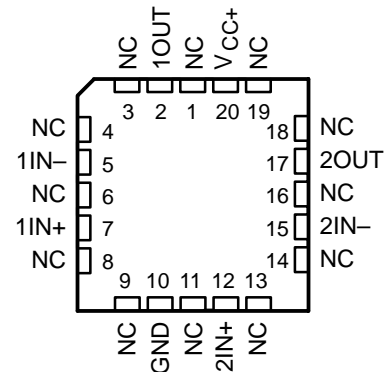
Applications include transducer amplifiers, dc amplification blocks, and all the conventional operational amplifier circuits that now can be implemented more easily in single-supply-voltage systems. For example, these devices can be operated directly from the standard 5-V supply used in digital systems and easily provide the required interface electronics without additional  $\pm 5$ -V supplies.

The LM2904Q is manufactured to demanding automotive requirements.

LM158, LM158A . . . JG PACKAGE  
LM258 . . . D OR P PACKAGE  
LM258A . . . P PACKAGE  
LM358 . . . D, P, PS, OR PW PACKAGE  
LM358A . . . D OR P PACKAGE  
LM2904 . . . D, P, PS, OR PW PACKAGE  
LM2904Q . . . D PACKAGE  
(TOP VIEW)



LM158, LM158A . . . FK PACKAGE  
(TOP VIEW)



NC – No internal connection



Please be aware that an important notice concerning availability, standard warranty, and use in critical applications of Texas Instruments semiconductor products and disclaimers thereto appears at the end of this data sheet.

PRODUCTION DATA information is current as of publication date. Products conform to specifications per the terms of Texas Instruments standard warranty. Production processing does not necessarily include testing of all parameters.

 **TEXAS  
INSTRUMENTS**

POST OFFICE BOX 655303 • DALLAS, TEXAS 75265

Copyright © 2002, Texas Instruments Incorporated  
On products compliant to MIL-PRF-38535, all parameters are tested unless otherwise noted. On all other products, production processing does not necessarily include testing of all parameters.

**LM158, LM158A, LM258, LM258A  
LM358, LM358A, LM2904, LM2904Q  
DUAL OPERATIONAL AMPLIFIERS**

SLOS068E – JUNE 1976 – REVISED SEPTEMBER 2002

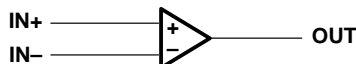
**description/ordering information (continued)**

**ORDERING INFORMATION**

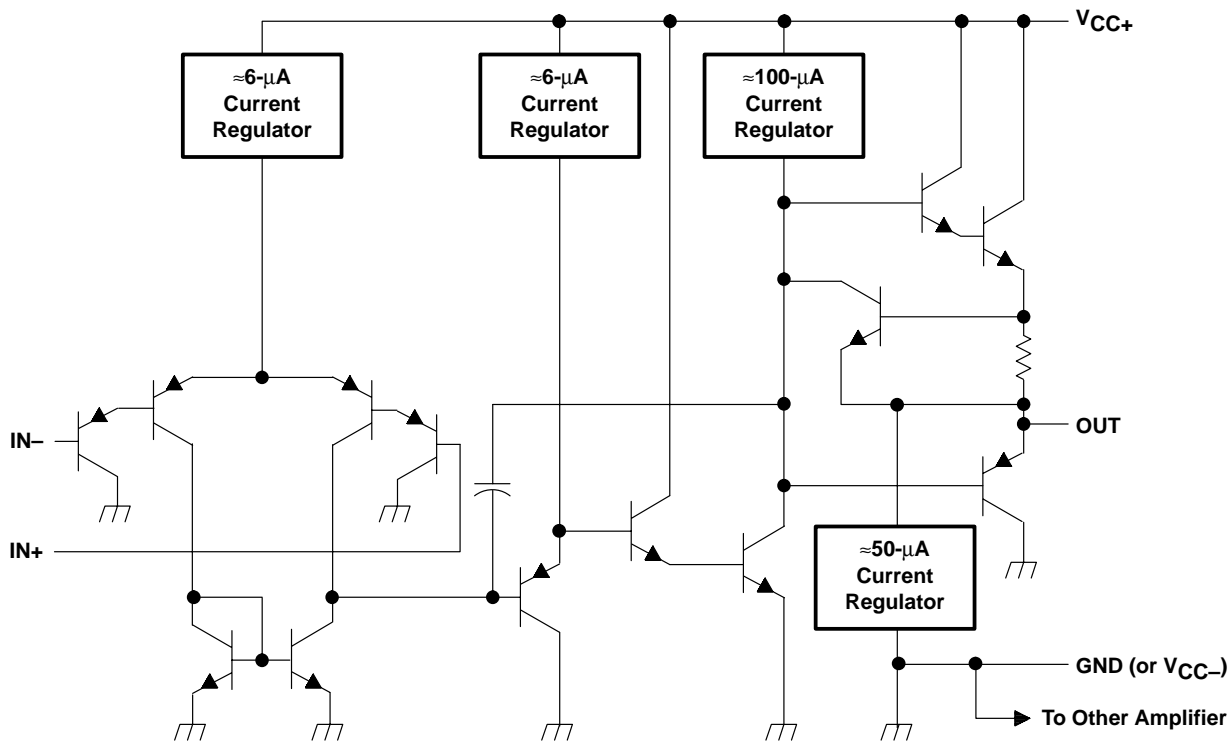
<b>T<sub>A</sub></b>	<b>V<sub>IOMAX</sub> AT 25°C</b>	<b>PACKAGE†</b>		<b>ORDERABLE PART NUMBER</b>	<b>TOP-SIDE MARKING</b>
0°C to 70°C	7 mV	PDIP (P)	Tube	LM358P	LM358P
		SOIC (D)	Tube	LM358D	LM358
			Tape and reel	LM358DR	
		SOP (PS)	Tape and reel	LM358PSR	L358
	TSSOP (PW)	Tape and reel	LM358PWR	L358	
	3 mV	PDIP (P)	Tube	LM358AP	LM358AP
		SOIC (D)	Tube	LM358AD	LM358A
			Tape and reel	LM358ADR	
-25°C to 85°C	5 mV	PDIP (P)	Tube	LM258P	LM258P
		SOIC (D)	Tube	LM258D	LM258
	Tape and reel		LM258DR		
	3 mV	PDIP (P)	Tube	LM258AP	LM258AP
-40°C to 125°C	7 mV	PDIP (P)	Tube	LM2904P	LM2904P
		SOIC (D)	Tube	LM2904D	LM2904
			Tape and reel	LM2904DR	
			Tube	LM2904QD	2904Q
			Tape and reel	LM2904QDR	
		SOP (PS)	Tape and reel	LM2904PSR	L2904
		TSSOP (PW)	Tape and reel	LM2904PWR	L2904
-55°C to 125°C	5 mV	CDIP (JG)	Tube	LM158JG	LM158JG
			Tube	LM158JGB	LM158JGB
		LCCC (FK)	Tube	LM158FKB	LM158FKB
	2 mV	CDIP (JG)	Tube	LM158AJG	LM158AJG
			Tube	LM158AJGB	LM158AJGB
		LCCC (FK)	Tube	LM158AFKB	LM158AFKB

† Package drawings, standard packing quantities, thermal data, symbolization, and PCB design guidelines are available at [www.ti.com/sc/package](http://www.ti.com/sc/package).

**symbol (each amplifier)**



schematic (each amplifier)



COMPONENT COUNT	
Epi-FET	1
Diodes	2
Resistors	7
Transistors	51
Capacitors	2

**LM158, LM158A, LM258, LM258A  
LM358, LM358A, LM2904, LM2904Q  
DUAL OPERATIONAL AMPLIFIERS**

SLOS068E – JUNE 1976 – REVISED SEPTEMBER 2002

**absolute maximum ratings over operating free-air temperature range (unless otherwise noted)†**

		LM158, LM158A LM258, LM258A LM358, LM358A	LM2904 LM2904Q	UNIT
Supply voltage, $V_{CC}$ (see Note 1)		32	26	V
Differential input voltage, $V_{ID}$ (see Note 2)		±32	±26	V
Input voltage, $V_I$ (either input)		-0.3 to 32	-0.3 to 26	V
Duration of output short circuit (one amplifier) to ground at (or below) 25°C free-air temperature ( $V_{CC} \leq 15$ V) (see Note 3)		Unlimited	Unlimited	
Operating virtual junction temperature, $T_J$		150	150	°C
Package thermal impedance, $\theta_{JA}$ (see Notes 4 and 5)	D package	97	97	°C/W
	P package	85	85	
	PS package	95	95	
	PW package	149	149	
Package thermal impedance, $\theta_{JC}$ (see Notes 6 and 7)	FK package	5.61		°C/W
	JG package	14.5		
Operating free-air temperature range, $T_A$	LM158, LM158A	-55 to 125		°C
	LM258, LM258A	-25 to 85		
	LM358, LM358A	0 to 70		
	LM2904, LM2904Q		-40 to 125	
Case temperature for 60 seconds	FK package	260		°C
Lead temperature 1,6 mm (1/16 inch) from case for 60 seconds	JG package	300	300	°C
Lead temperature 1,6 mm (1/16 inch) from case for 10 seconds	P package	260	260	°C
Storage temperature range, $T_{stg}$		-65 to 150	-65 to 150	°C

† Stresses beyond those listed under “absolute maximum ratings” may cause permanent damage to the device. These are stress ratings only, and functional operation of the device at these or any other conditions beyond those indicated under “recommended operating conditions” is not implied. Exposure to absolute-maximum-rated conditions for extended periods may affect device reliability.

- NOTES:
1. All voltage values, except differential voltages and  $V_{CC}$  specified for measurement of  $I_{OS}$ , are with respect to the network ground terminal.
  2. Differential voltages are at  $IN+$  with respect to  $IN-$ .
  3. Short circuits from outputs to  $V_{CC}$  can cause excessive heating and eventual destruction.
  4. Maximum power dissipation is a function of  $T_J(max)$ ,  $\theta_{JA}$ , and  $T_A$ . The maximum allowable power dissipation at any allowable ambient temperature is  $P_D = (T_J(max) - T_A)/\theta_{JA}$ . Operating at the absolute maximum  $T_J$  of 150°C can affect reliability.
  5. The package thermal impedance is calculated in accordance with JESD 51-7.
  6. Maximum power dissipation is a function of  $T_J(max)$ ,  $\theta_{JC}$ , and  $T_C$ . The maximum allowable power dissipation at any allowable case temperature is  $P_D = (T_J(max) - T_C)/\theta_{JC}$ . Operating at the absolute maximum  $T_J$  of 150°C can affect reliability.
  7. The package thermal impedance is calculated in accordance with MIL-STD-883.



**LM158, LM158A, LM258, LM258A  
LM358, LM358A, LM2904, LM2904Q  
DUAL OPERATIONAL AMPLIFIERS**

SLOS068E – JUNE 1976 – REVISED SEPTEMBER 2002

**electrical characteristics at specified free-air temperature,  $V_{CC} = 5\text{ V}$  (unless otherwise noted)**

PARAMETER	TEST CONDITIONS†	$T_A$ ‡	LM158 LM258			LM358			UNIT
			MIN	TYP§	MAX	MIN	TYP§	MAX	
$V_{IO}$ Input offset voltage	$V_{CC} = 5\text{ V to MAX}$ , $V_{IC} = V_{ICR(\text{min})}$ , $V_O = 1.4\text{ V}$	25°C	3	5		3	7	mV	
		Full range			7		9		
$\alpha_{V_{IO}}$ Average temperature coefficient of input offset voltage		Full range	7			7		$\mu\text{V}/^\circ\text{C}$	
$I_{IO}$ Input offset current	$V_O = 1.4\text{ V}$	25°C	2	30		2	50	nA	
		Full range			100		150		
$\alpha_{I_{IO}}$ Average temperature coefficient of input offset current		Full range	10			10		$\text{pA}/^\circ\text{C}$	
$I_{IB}$ Input bias current	$V_O = 1.4\text{ V}$	25°C	-20	-150		-20	-250	nA	
		Full range			-300		-500		
$V_{ICR}$ Common-mode input voltage range	$V_{CC} = 5\text{ V to MAX}$	25°C	0 to $V_{CC}-1.5$			0 to $V_{CC}-1.5$		V	
		Full range	0 to $V_{CC}-2$			0 to $V_{CC}-2$			
$V_{OH}$ High-level output voltage	$R_L \geq 2\text{ k}\Omega$	25°C	$V_{CC}-1.5$			$V_{CC}-1.5$		V	
		25°C							
		Full range	$R_L = 2\text{ k}\Omega$	26			26		
			$R_L \geq 10\text{ k}\Omega$	27	28		27		28
$V_{OL}$ Low-level output voltage	$R_L \leq 10\text{ k}\Omega$	Full range	5	20		5	20	mV	
$A_{VD}$ Large-signal differential voltage amplification	$V_{CC} = 15\text{ V}$ , $V_O = 1\text{ V to }11\text{ V}$ , $R_L = \geq 2\text{ k}\Omega$	25°C	50	100		25	100	V/mV	
		Full range	25			15			
CMRR Common-mode rejection ratio	$V_{CC} = 5\text{ V to MAX}$ , $V_{IC} = V_{ICR(\text{min})}$	25°C	70	80		65	80	dB	
$k_{SVR}$ Supply-voltage rejection ratio ( $\Delta V_{DD}/\Delta V_{IO}$ )	$V_{CC} = 5\text{ V to MAX}$	25°C	65	100		65	100	dB	
$V_{O1}/V_{O2}$ Crosstalk attenuation	$f = 1\text{ kHz to }20\text{ kHz}$	25°C		120			120	dB	
$I_O$ Output current	$V_{CC} = 15\text{ V}$ , $V_{ID} = 1\text{ V}$ , $V_O = 0$	25°C	-20	-30		-20	-30	mA	
		Full range	-10			-10			
		25°C	10	20		10	20		
		Full range	5			5			
$I_{OS}$ Short-circuit output current	$V_{CC}$ at 5 V, GND at -5 V, $V_O = 0$	25°C	±40	±60		±40	±60	mA	
		Full range	0.7	1.2		0.7	1.2		
$I_{CC}$ Supply current (two amplifiers)	$V_O = 2.5\text{ V}$ , No load	Full range	0.7	1.2		0.7	1.2	mA	
		Full range	1	2		1	2		

† All characteristics are measured under open-loop conditions with zero common-mode input voltage, unless otherwise specified. MAX  $V_{CC}$  for testing purposes is 26 V for the LM2904 and 30 V for others.

‡ Full range is -55°C to 125°C for LM158, -25°C to 85°C for LM258, 0°C to 70°C for LM358, and -40°C to 125°C for LM2904 and LM2904Q.

§ All typical values are at  $T_A = 25^\circ\text{C}$ .



**LM158, LM158A, LM258, LM258A  
LM358, LM358A, LM2904, LM2904Q  
DUAL OPERATIONAL AMPLIFIERS**

SLOS068E – JUNE 1976 – REVISED SEPTEMBER 2002

**electrical characteristics at specified free-air temperature,  $V_{CC} = 5\text{ V}$  (unless otherwise noted)**

PARAMETER	TEST CONDITIONS†	$T_A$ ‡	LM2904 LM2904Q			UNIT
			MIN	TYP§	MAX	
$V_{IO}$ Input offset voltage	$V_{CC} = 5\text{ V to MAX}$ , $V_{IC} = V_{ICR(\text{min})}$ , $V_O = 1.4\text{ V}$	25°C	3	7	mV	
		Full range	10			
$\alpha_{V_{IO}}$ Average temperature coefficient of input offset voltage		Full range	7		$\mu\text{V}/^\circ\text{C}$	
$I_{IO}$ Input offset current	$V_O = 1.4\text{ V}$	25°C	2	50	nA	
		Full range	300			
$\alpha_{I_{IO}}$ Average temperature coefficient of input offset current		Full range	10		$\text{pA}/^\circ\text{C}$	
$I_{IB}$ Input bias current	$V_O = 1.4\text{ V}$	25°C	-20	-250	nA	
		Full range	-500			
$V_{ICR}$ Common-mode input voltage range	$V_{CC} = 5\text{ V to MAX}$	25°C	0 to $V_{CC}-1.5$		V	
		Full range	0 to $V_{CC}-2$			
$V_{OH}$ High-level output voltage	$R_L \geq 2\text{ k}\Omega$	25°C			V	
	$R_L \geq 10\text{ k}\Omega$	25°C	$V_{CC}-1.5$			
	$V_{CC} = \text{MAX}$	$R_L = 2\text{ k}\Omega$	Full range	26		
		$R_L \geq 10\text{ k}\Omega$	Full range	23		24
$V_{OL}$ Low-level output voltage	$R_L \leq 10\text{ k}\Omega$	Full range	5	20	mV	
$A_{VD}$ Large-signal differential voltage amplification	$V_{CC} = 15\text{ V}$ , $V_O = 1\text{ V to }11\text{ V}$ , $R_L \geq 2\text{ k}\Omega$	25°C	25	100	V/mV	
		Full range	15			
CMRR Common-mode rejection ratio	$V_{CC} = 5\text{ V to MAX}$ , $V_{IC} = V_{ICR(\text{min})}$	25°C	50	80	dB	
$k_{SVR}$ Supply-voltage rejection ratio ( $\Delta V_{DD}/\Delta V_{IO}$ )	$V_{CC} = 5\text{ V to MAX}$	25°C	65	100	dB	
$V_{O1}/V_{O2}$ Crosstalk attenuation	$f = 1\text{ kHz to }20\text{ kHz}$	25°C	120		dB	
$I_O$ Output current	$V_{CC} = 15\text{ V}$ , $V_{ID} = 1\text{ V}$ , $V_O = 0$	25°C	-20	-30	mA	
		Full range	-10			
	$V_{CC} = 15\text{ V}$ , $V_{ID} = -1\text{ V}$ , $V_O = 15\text{ V}$	25°C	10	20		
		Full range	5			
$V_{ID} = -1\text{ V}$ , $V_O = 200\text{ mV}$	25°C	30		$\mu\text{A}$		
$I_{OS}$ Short-circuit output current	$V_{CC}$ at 5 V, GND at -5 V, $V_O = 0$	25°C	$\pm 40$	$\pm 60$	mA	
$I_{CC}$ Supply current (two amplifiers)	$V_O = 2.5\text{ V}$ , No load	Full range	0.7	1.2	mA	
	$V_{CC} = \text{MAX}$ , $V_O = 0.5\text{ V}$ , No load	Full range	1	2		

† All characteristics are measured under open-loop conditions with zero common-mode input voltage, unless otherwise specified. MAX  $V_{CC}$  for testing purposes is 26 V for the LM2904 and 30 V for others.

‡ Full range is -55°C to 125°C for LM158, -25°C to 85°C for LM258, 0°C to 70°C for LM358, and -40°C to 125°C for LM2904 and LM2904Q.

§ All typical values are at  $T_A = 25^\circ\text{C}$ .



**LM158, LM158A, LM258, LM258A**  
**LM358, LM358A, LM2904, LM2904Q**  
**DUAL OPERATIONAL AMPLIFIERS**

SLOS068E – JUNE 1976 – REVISED SEPTEMBER 2002

**electrical characteristics at specified free-air temperature,  $V_{CC} = 5\text{ V}$  (unless otherwise noted)**

PARAMETER	TEST CONDITIONS†	$T_A$ ‡	LM158A			LM258A			UNIT
			MIN	TYP§	MAX	MIN	TYP§	MAX	
$V_{IO}$ Input offset voltage	$V_{CC} = 5\text{ V to }30\text{ V}$ , $V_{IC} = V_{ICR}(\text{min})$ , $V_O = 1.4\text{ V}$	25°C	2			2	3		mV
		Full range	4			4			
$\alpha_{V_{IO}}$ Average temperature coefficient of input offset voltage		Full range	7 15*			7 15			$\mu\text{V}/^\circ\text{C}$
$I_{IO}$ Input offset current	$V_O = 1.4\text{ V}$	25°C	2		10		2 15		nA
		Full range	30			30			
$\alpha_{I_{IO}}$ Average temperature coefficient of input offset current		Full range	10 200			10 200			$\text{pA}/^\circ\text{C}$
$I_{IB}$ Input bias current	$V_O = 1.4\text{ V}$	25°C	-15		-50		-15 -80		nA
		Full range	-100			-100			
$V_{ICR}$ Common-mode input voltage range	$V_{CC} = 30\text{ V}$	25°C	0 to $V_{CC}-1.5$			0 to $V_{CC}-1.5$			V
		Full range	0 to $V_{CC}-2$			0 to $V_{CC}-2$			
$V_{OH}$ High-level output voltage	$R_L \geq 2\text{ k}\Omega$ $V_{CC} = 30\text{ V}$	25°C	$V_{CC}-1.5$			$V_{CC}-1.5$			V
		Full range	$R_L = 2\text{ k}\Omega$	26		26			
			$R_L \geq 10\text{ k}\Omega$	27	28		27	28	
$V_{OL}$ Low-level output voltage	$R_L \leq 10\text{ k}\Omega$	Full range	5 20			5 20			mV
$A_{VD}$ Large-signal differential voltage amplification	$V_{CC} = 15\text{ V}$ , $V_O = 1\text{ V to }11\text{ V}$ , $R_L = \geq 2\text{ k}\Omega$	25°C	50		100		50 100		V/mV
		Full range	25			25			
CMRR Common-mode rejection ratio		25°C	70		80		70 80		dB
$k_{SVR}$ Supply-voltage rejection ratio ( $\Delta V_{DD}/\Delta V_{IO}$ )		25°C	65		100		65 100		dB
$V_{O1}/V_{O2}$ Crosstalk attenuation	$f = 1\text{ kHz to }20\text{ kHz}$	25°C	120			120			dB
$I_O$ Output current	$V_{CC} = 15\text{ V}$ , $V_{ID} = 1\text{ V}$ , $V_O = 0$	25°C	-20		-30 -60		-20 -30 -60		mA
		Full range	-10			-10			
	$V_{CC} = 15\text{ V}$ , $V_{ID} = -1\text{ V}$ , $V_O = 15$	25°C	10		20		10 20		
		Full range	5			5			
	$V_{ID} = -1\text{ V}$ , $V_O = 200\text{ mV}$	25°C	12		30		12 30		$\mu\text{A}$
$I_{OS}$ Short-circuit output current	$V_{CC}$ at 5 V, GND at -5 V, $V_O = 0$	25°C	$\pm 40$		$\pm 60$		$\pm 40 \pm 60$		mA
$I_{CC}$ Supply current (two amplifiers)	$V_O = 2.5\text{ V}$ , No load	Full range	0.7		1.2		0.7 1.2		mA
	$V_{CC} = \text{MAX}$ , $V_O = 0.5\text{ V}$ , No load	Full range	1		2		1 2		

\*On products compliant to MIL-PRF-38535, this parameter is not production tested.

† All characteristics are measured under open-loop conditions with zero common-mode input voltage, unless otherwise specified. MAX  $V_{CC}$  for testing purposes is 26 V for LM2904 and 30 V for others.

‡ Full range is -55°C to 125°C for LM158A, -25°C to 85°C for LM258A, and 0°C to 70°C for LM358A.

§ All typical values are at  $T_A = 25^\circ\text{C}$ .



**LM158, LM158A, LM258, LM258A  
LM358, LM358A, LM2904, LM2904Q  
DUAL OPERATIONAL AMPLIFIERS**

SLOS068E – JUNE 1976 – REVISED SEPTEMBER 2002

**electrical characteristics at specified free-air temperature,  $V_{CC} = 5\text{ V}$  (unless otherwise noted)**

PARAMETER	TEST CONDITIONS†	$T_A$ ‡	LM358A			UNIT
			MIN	TYP§	MAX	
$V_{IO}$ Input offset voltage	$V_{CC} = 5\text{ V to }30\text{ V}$ , $V_{IC} = V_{ICR(\text{min})}$ , $V_O = 1.4\text{ V}$	25°C	2	3		mV
		Full range			5	
$\alpha_{V_{IO}}$ Average temperature coefficient of input offset voltage		Full range	7	20		$\mu\text{V}/^\circ\text{C}$
$I_{IO}$ Input offset current	$V_O = 1.4\text{ V}$	25°C	2	30		nA
		Full range			75	
$\alpha_{I_{IO}}$ Average temperature coefficient of input offset current		Full range	10	300		$\text{pA}/^\circ\text{C}$
$I_{IB}$ Input bias current	$V_O = 1.4\text{ V}$	25°C	-15	-100		nA
		Full range			-200	
$V_{ICR}$ Common-mode input voltage range	$V_{CC} = 30\text{ V}$	25°C	0 to $V_{CC}-1.5$			V
		Full range	0 to $V_{CC}-2$			
$V_{OH}$ High-level output voltage	$R_L \geq 2\text{ k}\Omega$ $V_{CC} = 30\text{ V}$	25°C	$V_{CC}-1.5$			V
		Full range	$R_L = 2\text{ k}\Omega$	26		
			$R_L \geq 10\text{ k}\Omega$	27	28	
$V_{OL}$ Low-level output voltage	$R_L \leq 10\text{ k}\Omega$	Full range	5	20		mV
$A_{VD}$ Large-signal differential voltage amplification	$V_{CC} = 15\text{ V}$ , $V_O = 1\text{ V to }11\text{ V}$ , $R_L \geq 2\text{ k}\Omega$	25°C	25	100		V/mV
		Full range	15			
CMRR Common-mode rejection ratio		25°C	65	80		dB
$k_{SVR}$ Supply-voltage rejection ratio ( $\Delta V_{DD}/\Delta V_{IO}$ )		25°C	65	100		dB
$V_{O1}/V_{O2}$ Crosstalk attenuation	$f = 1\text{ kHz to }20\text{ kHz}$	25°C	120			dB
$I_O$ Output current	$V_{CC} = 15\text{ V}$ , $V_{ID} = 1\text{ V}$ , $V_O = 0$	25°C	-20	-30	-60	mA
		Full range	-10			
	$V_{CC} = 15\text{ V}$ , $V_{ID} = -1\text{ V}$ , $V_O = 15\text{ V}$	25°C	10	20		mA
		Full range	5			
	$V_{ID} = -1\text{ V}$ , $V_O = 200\text{ mV}$	25°C	30			$\mu\text{A}$
$I_{OS}$ Short-circuit output current	$V_{CC}$ at 5 V, GND at -5 V, $V_O = 0$	25°C	$\pm 40$	$\pm 60$		mA
$I_{CC}$ Supply current (two amplifiers)	$V_O = 2.5\text{ V}$ , No load	Full range	0.7	1.2		mA
	$V_{CC} = \text{MAX}$ , $V_O = 0.5\text{ V}$ No load	Full range	1	2		

† All characteristics are measured under open-loop conditions with zero common-mode input voltage, unless otherwise specified. MAX  $V_{CC}$  for testing purposes is 26 V for LM2904 and 30 V for others.

‡ Full range is -55°C to 125°C for LM158A, -25°C to 85°C for LM258A, and 0°C to 70°C for LM358A.

§ All typical values are at  $T_A = 25^\circ\text{C}$ .





operating conditions,  $V_{CC} = \pm 15\text{ V}$ ,  $T_A = 25^\circ\text{C}$

PARAMETER		TEST CONDITIONS	TYP	UNIT
SR	Slew rate at unity gain	$R_L = 1\text{ M}\Omega$ , $C_L = 30\text{ pF}$ , $V_I = \pm 10\text{ V}$ (see Figure 1)	0.3	$\text{V}/\mu\text{s}$
$B_1$	Unity-gain bandwidth	$R_L = 1\text{ M}\Omega$ , $C_L = 20\text{ pF}$ (see Figure 1)	0.7	MHz
$V_n$	Equivalent input noise voltage	$R_S = 100\ \Omega$ , $V_I = 0\text{ V}$ , $f = 1\text{ kHz}$ (see Figure 2)	40	$\text{nV}/\sqrt{\text{Hz}}$

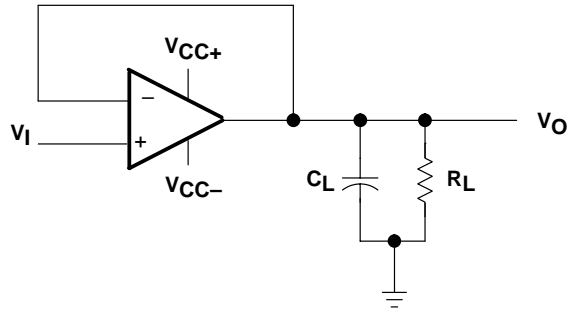


Figure 1. Unity-Gain Amplifier

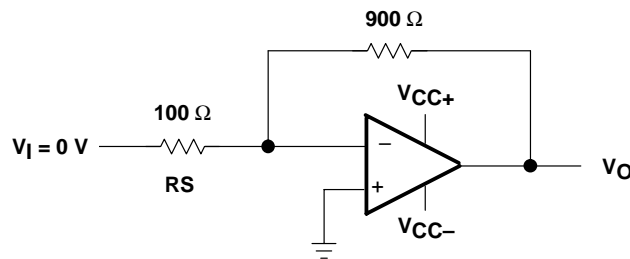


Figure 2. Noise-Test Circuit

## IMPORTANT NOTICE

Texas Instruments Incorporated and its subsidiaries (TI) reserve the right to make corrections, modifications, enhancements, improvements, and other changes to its products and services at any time and to discontinue any product or service without notice. Customers should obtain the latest relevant information before placing orders and should verify that such information is current and complete. All products are sold subject to TI's terms and conditions of sale supplied at the time of order acknowledgment.

TI warrants performance of its hardware products to the specifications applicable at the time of sale in accordance with TI's standard warranty. Testing and other quality control techniques are used to the extent TI deems necessary to support this warranty. Except where mandated by government requirements, testing of all parameters of each product is not necessarily performed.

TI assumes no liability for applications assistance or customer product design. Customers are responsible for their products and applications using TI components. To minimize the risks associated with customer products and applications, customers should provide adequate design and operating safeguards.

TI does not warrant or represent that any license, either express or implied, is granted under any TI patent right, copyright, mask work right, or other TI intellectual property right relating to any combination, machine, or process in which TI products or services are used. Information published by TI regarding third-party products or services does not constitute a license from TI to use such products or services or a warranty or endorsement thereof. Use of such information may require a license from a third party under the patents or other intellectual property of the third party, or a license from TI under the patents or other intellectual property of TI.

Reproduction of information in TI data books or data sheets is permissible only if reproduction is without alteration and is accompanied by all associated warranties, conditions, limitations, and notices. Reproduction of this information with alteration is an unfair and deceptive business practice. TI is not responsible or liable for such altered documentation.

Resale of TI products or services with statements different from or beyond the parameters stated by TI for that product or service voids all express and any implied warranties for the associated TI product or service and is an unfair and deceptive business practice. TI is not responsible or liable for any such statements.

### Mailing Address:

Texas Instruments  
Post Office Box 655303  
Dallas, Texas 75265