

## LMH6628QML Dual Wideband, Low Noise, Voltage Feedback Op Amp

Check for Samples: [LMH6628QML](#)

### FEATURES

- Available with Radiation Ensured 300 krad(Si)
- Wide Unity Gain Bandwidth: 300MHz
- Low Noise:  $2\text{nV}/\sqrt{\text{Hz}}$
- Low Distortion:  $-65/-74\text{dBc}$  (10MHz)
- Settling Time: 12ns to 0.1%
- Wide Supply Voltage Range:  $\pm 2.5\text{V}$  to  $\pm 6\text{V}$
- High Output Current:  $\pm 85\text{mA}$
- Improved Replacement for CLC428

### APPLICATIONS

- High Speed Dual Op Amp
- Low Noise Integrators
- Low Noise Active Filters
- Driver/Receiver for Transmission Systems
- High Speed Detectors
- I/Q Channel Amplifiers

### DESCRIPTION

The LMH6628 is a high speed dual op amp that offers a traditional voltage feedback topology featuring unity gain stability and slew enhanced circuitry. The LMH6628's low noise and very low harmonic distortion combine to form a wide dynamic range op amp that operates from a single (5V to 12V) or dual ( $\pm 5\text{V}$ ) power supply.

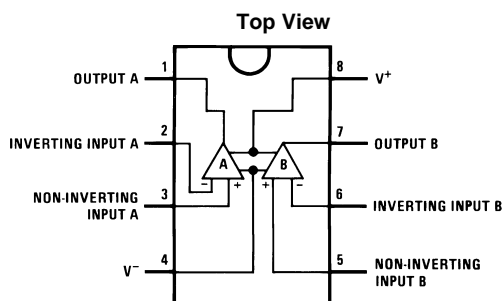
Each of the LMH6628's closely matched channels provides a 300MHz unity gain bandwidth and low input voltage noise density ( $2\text{nV}/\sqrt{\text{Hz}}$ ). Low 2nd/3rd harmonic distortion ( $-65/-74\text{dBc}$  at 10MHz) make the LMH6628 a perfect wide dynamic range amplifier for matched I/Q channels.

With its fast and accurate settling (12ns to 0.1%), the LMH6628 is also an excellent choice for wide dynamic range, anti-aliasing filters to buffer the inputs of hi resolution analog-to-digital converters. Combining the LMH6628's two tightly matched amplifiers in a single package reduces cost and board space for many composite amplifier applications such as active filters, differential line drivers/receivers, fast peak detectors and instrumentation amplifiers.

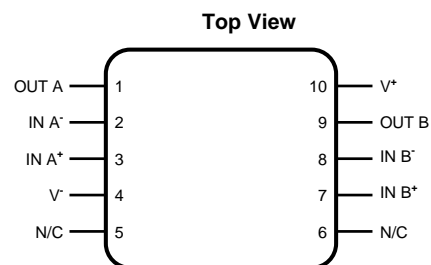
The LMH6628 is fabricated using Texas Instruments' VIP10 complimentary bipolar process.

To reduce design times and assist in board layout, the LMH6628 is supported by an evaluation board (LMH730036).

### CONNECTION DIAGRAMS



**Figure 1. 8 Lead CDIP Package**  
See Package Number NAB0008A



**Figure 2. 10 Lead CLGA Package**  
See Package Number NAC0010A



Please be aware that an important notice concerning availability, standard warranty, and use in critical applications of Texas Instruments semiconductor products and disclaimers thereto appears at the end of this data sheet.

All trademarks are the property of their respective owners.

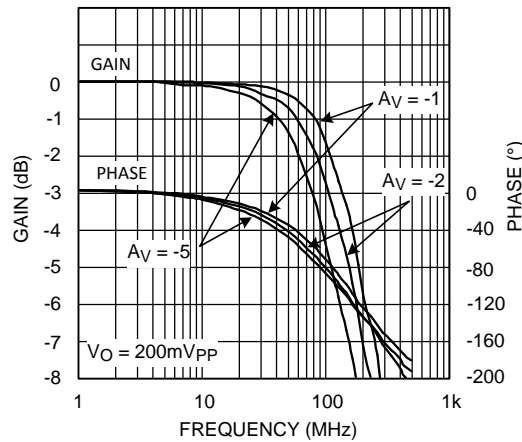


Figure 3. Inverting Frequency Response



These devices have limited built-in ESD protection. The leads should be shorted together or the device placed in conductive foam during storage or handling to prevent electrostatic damage to the MOS gates.

**ABSOLUTE MAXIMUM RATINGS <sup>(1)</sup>**

Supply Voltage		±7V <sub>DC</sub>	
Maximum Junction temperature <sup>(2)</sup>		+175°C	
Lead temperature (Soldering, 10 seconds)		+300°C	
Differential input voltage		V <sup>+</sup> - V <sup>-</sup>	
Common mode input voltage		V <sup>+</sup> - V <sup>-</sup>	
Storage temperature range		-65°C ≤ T <sub>A</sub> ≤ +150°C	
Power Dissipation <sup>(2)</sup>		1.0W	
Short circuit current <sup>(3)</sup>			
Thermal Resistance	θ <sub>JA</sub>	CDIP (Still Air)	135°C/W
		CDIP (500LF/Min Air Flow)	75°C/W
		CLGA (Still Air)	200°C/W
		CLGA (500LF/Min Air Flow)	145°C/W
	θ <sub>JC</sub>	CDIP	30°C/W
		CLGA	19°C/W
Package Weight (typical)			
CDIP		TBD	
CLGA		TBD	
ESD Tolerance <sup>(4)</sup>		4000V	

- (1) Absolute Maximum Ratings indicate limits beyond which damage to the device may occur. Operating Ratings indicate conditions for which the device is intended to be functional, but do not ensure specific performance limits. For specifications and test conditions, see the Electrical Characteristics. The specifications apply only for the test conditions listed. Some performance characteristics may degrade when the device is not operated under the listed test conditions.
- (2) The maximum power dissipation must be derated at elevated temperatures and is dictated by T<sub>Jmax</sub> (maximum junction temperature), θ<sub>JA</sub> (package junction to ambient thermal resistance), and T<sub>A</sub> (ambient temperature). The maximum allowable power dissipation at any temperature is P<sub>Dmax</sub> = (T<sub>Jmax</sub> - T<sub>A</sub>)/θ<sub>JA</sub> or the number given in the Absolute Maximum Ratings, whichever is lower.
- (3) Output is short circuit protected to ground, however maximum reliability is obtained if output current does not exceed 160mA.
- (4) Human body model, 1.5kΩ in series with 100pF.

**MAXIMUM OPERATING RATINGS**

Supply Voltage	±2.5V to ±6.0V
Ambient Operating Temperature Range	-55°C ≤ T <sub>A</sub> ≤ +125°C

**QUALITY CONFORMANCE INSPECTION**

MIL-STD-883, Method 5005 - Group A

Subgroup	Description	Temp (°C)
1	Static tests at	+25
2	Static tests at	+125
3	Static tests at	-55
4	Dynamic tests at	+25
5	Dynamic tests at	+125
6	Dynamic tests at	-55
7	Functional tests at	+25
8A	Functional tests at	+125
8B	Functional tests at	-55
9	Switching tests at	+25
10	Switching tests at	+125
11	Switching tests at	-55

**LMH6628QML ELECTRICAL CHARACTERISTICS DC PARAMETERS STATIC AND DC TESTS**

The following conditions apply, unless otherwise specified.

 $V_{CC} = +5V_{DC}$ ,  $A_V = +2V$ ,  $R_L = 100\Omega$ ,  $R_F = 100\Omega$ ,  $-55^\circ C \leq T_A \leq +125^\circ C$ 

Symbol	Parameter	Conditions	Notes	Min	Max	Unit	Sub-groups
$I_B$	Input Bias Current		(1)	-10	+10	$\mu A$	1
				-20	+20	$\mu A$	2
				-20	+20	$\mu A$	3
$V_{IO}$	Input Offset Voltage		(1)	-2	+2	mV	1
				-2.6	+2.6	mV	2, 3
$I_{CC}$	Supply Current	$R_L = \infty$	(1)		24	mA	1
					24	mA	2
					25	mA	3
PSRR	Power Supply Rejection Ratio	$+V_S = +4.0V$ to $+5.0V$ , $-V_S = -4.0V$ to $-5.0V$		60		dB	1
				55		dB	2, 3
$V_{OUT}$	Output Voltage Range	$R_L = \infty$		-5.0	+5.0	V	1, 2, 3

- (1) Pre and post irradiation limits are identical to those listed under electrical characteristics. These parts may be dose rate sensitive in a space environment and demonstrate enhanced low dose rate effect. Radiation end point limits for the noted parameters are specified only for the conditions as specified in MIL-STD-883, Method 1019.

## LMH6628QML ELECTRICAL CHARACTERISTICS AC PARAMETERS FREQUENCY DOMAIN RESPONSE

The following conditions apply, unless otherwise specified.

$$V_{CC} = +5V_{DC}, A_V = +2V, R_L = 100\Omega, R_F = 100\Omega, -55^\circ\text{C} \leq T_A \leq +125^\circ\text{C}$$

Symbol	Parameter	Conditions	Notes	Min	Max	Unit	Sub-groups
SSBW	Small Signal Bandwidth	-3 dB BW, $V_O < 0.5 V_{PP}$	(1)	50		MHz	4
GFP	Gain Flatness Peaking	0.1 MHz to 200 MHz, $V_O \leq 0.5 V_{PP}$	(1)		0.6	dB	4
GFR	Gain Flatness Rolloff	0.1 MHz to 20 MHz, $V_O \leq 0.5 V_{PP}$	(1)		0.6	dB	4
$A_{OL}$	Open Loop Gain		(1)	55		dB	4

(1) Group A testing only.

## LMH6628QML ELECTRICAL CHARACTERISTICS AC PARAMETERS DISTORTION AND NOISE TESTS

The following conditions apply, unless otherwise specified.

$$V_{CC} = +5V_{DC}, A_V = +2V, R_L = 100\Omega, R_F = 100\Omega, -55^\circ\text{C} \leq T_A \leq +125^\circ\text{C}$$

Symbol	Parameter	Conditions	Notes	Min	Max	Unit	Sub-groups
HD <sub>2</sub>	Second Harmonic Distortion	1 V <sub>PP</sub> at 10 MHz	(1)		50	dBc	4
HD <sub>3</sub>	Third Harmonic Distortion	1 V <sub>PP</sub> at 10 MHz	(1)		60	dBc	4

(1) Group A testing only.

## LMH6628QML ELECTRICAL CHARACTERISTICS DC PARAMETERS DRIFT VALUES

The following conditions apply, unless otherwise specified.

Deltas not required on B Level product. Deltas required for S Level product at Group B5 only, or as specified on the Internal Processing Instructions (IPI).

Symbol	Parameter	Conditions	Notes	Min	Max	Unit	Sub-groups
$I_B$	Input Bias Current		(1)	-1.0	+1.0	$\mu\text{A}$	1
$V_{IO}$	Input Offset Voltage		(1)	-0.2	+0.2	mV	1
$I_{CC}$	Supply Current	$R_L = \infty$	(1)	-1	+1	mA	1

(1) If not tested, shall be ensured to the limits specified.

**TYPICAL PERFORMANCE CHARACTERISTICS**

( $T_A = +25^\circ$ ,  $A_V = +2$ ,  $V_{CC} = \pm 5V$ ,  $R_F = 100\Omega$ ,  $R_L = 100\Omega$ , unless specified)

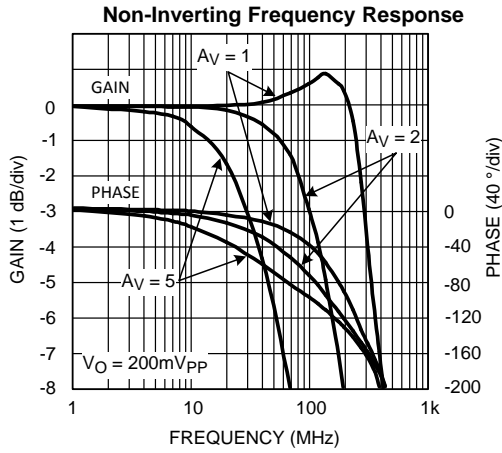


Figure 4.

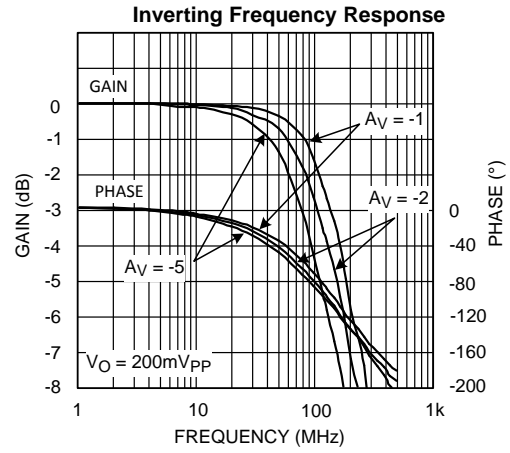


Figure 5.

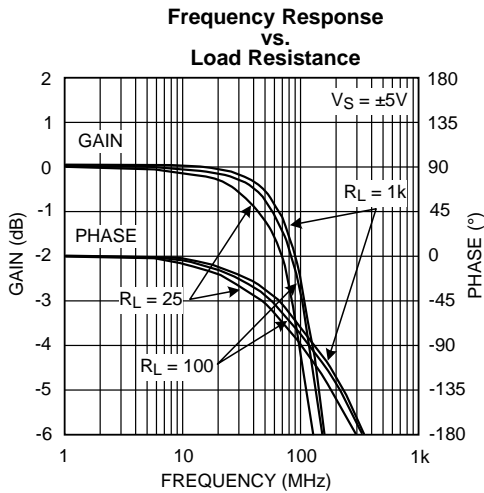


Figure 6.

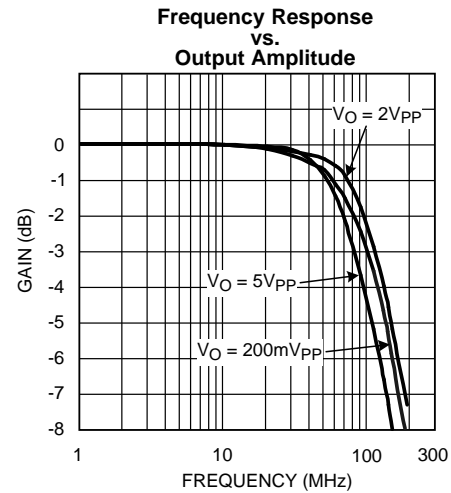


Figure 7.

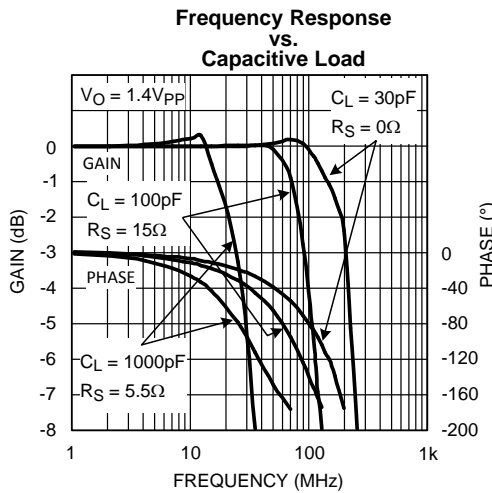


Figure 8.

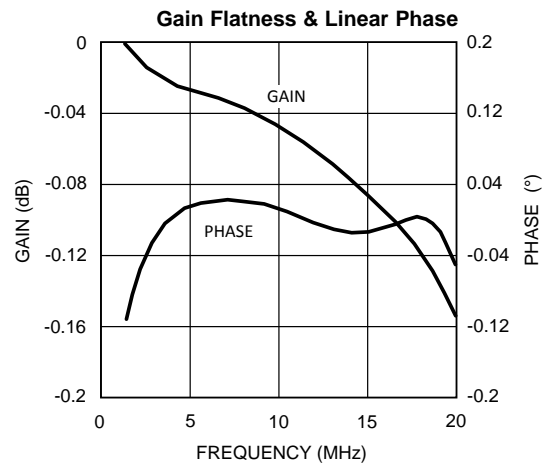


Figure 9.

**TYPICAL PERFORMANCE CHARACTERISTICS (continued)**

( $T_A = +25^\circ$ ,  $A_V = +2$ ,  $V_{CC} = \pm 5V$ ,  $R_F = 100\Omega$ ,  $R_L = 100\Omega$ , unless specified)

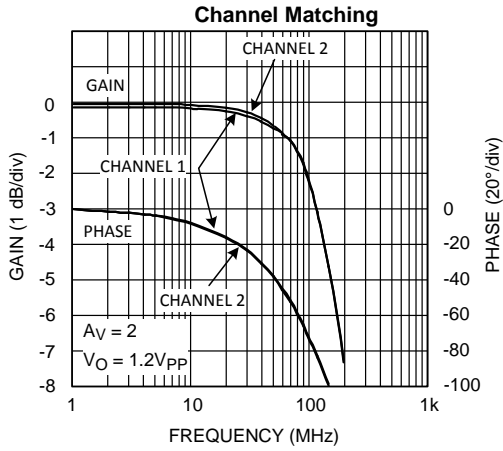


Figure 10.

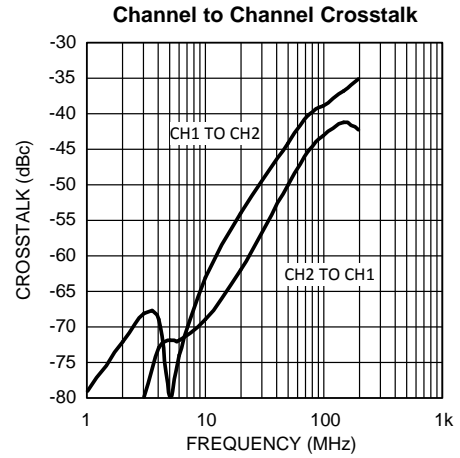


Figure 11.

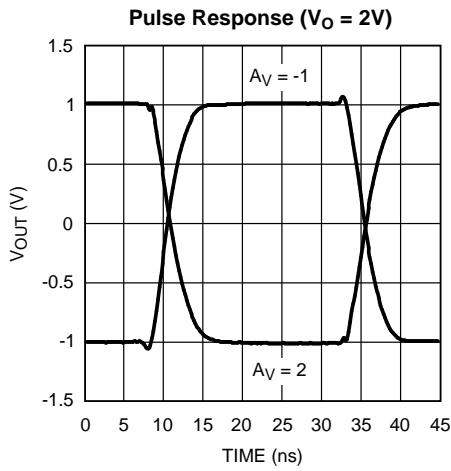


Figure 12.

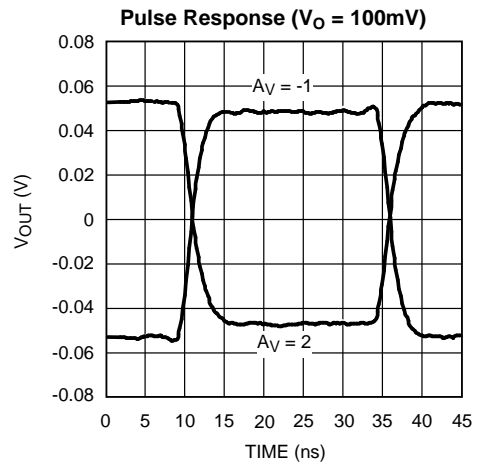


Figure 13.

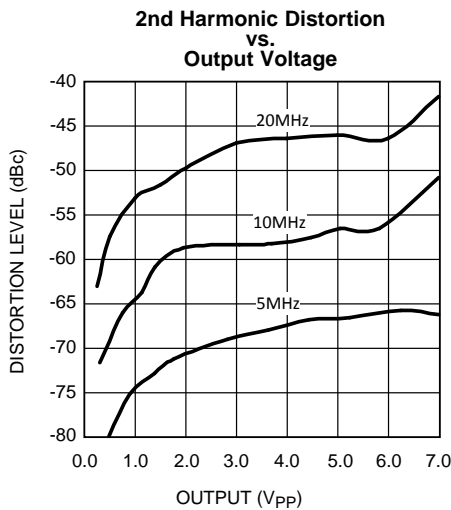


Figure 14.

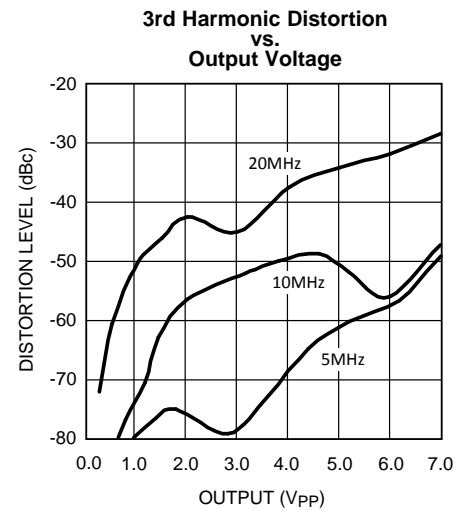


Figure 15.

**TYPICAL PERFORMANCE CHARACTERISTICS (continued)**

( $T_A = +25^\circ$ ,  $A_V = +2$ ,  $V_{CC} = \pm 5V$ ,  $R_F = 100\Omega$ ,  $R_L = 100\Omega$ , unless specified)

**2nd & 3rd Harmonic Distortion vs. Frequency**

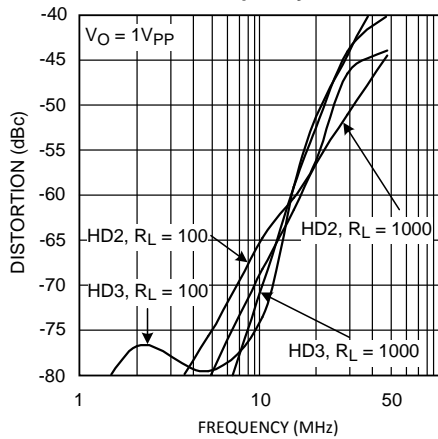


Figure 16.

**PSRR and CMRR ( $\pm 5V$ )**

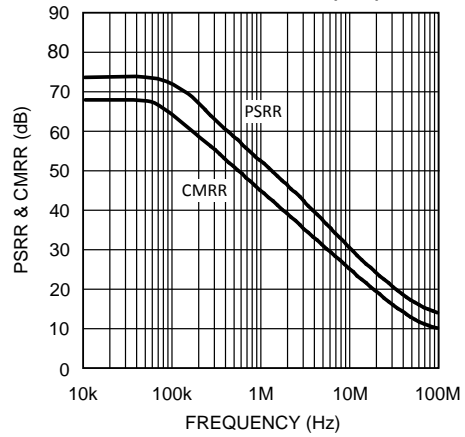


Figure 17.

**PSRR and CMRR ( $\pm 2.5V$ )**

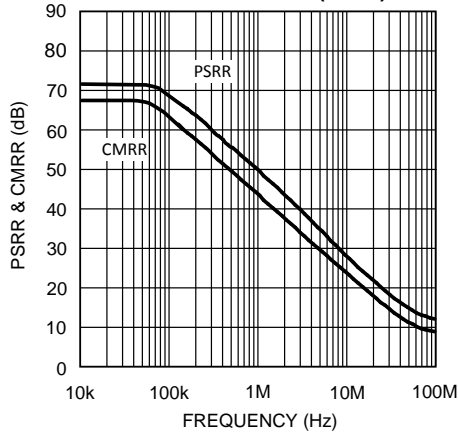


Figure 18.

**Closed Loop Output Resistance ( $\pm 2.5V$ )**

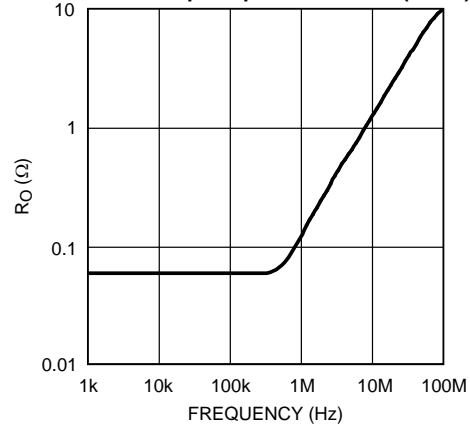


Figure 19.

**Closed Loop Output Resistance ( $\pm 5V$ )**

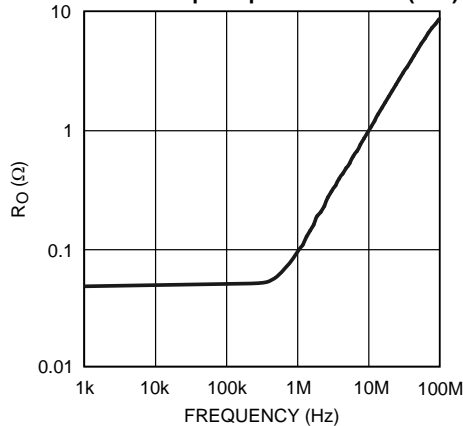


Figure 20.

**Open Loop Gain & Phase ( $\pm 2.5V$ )**

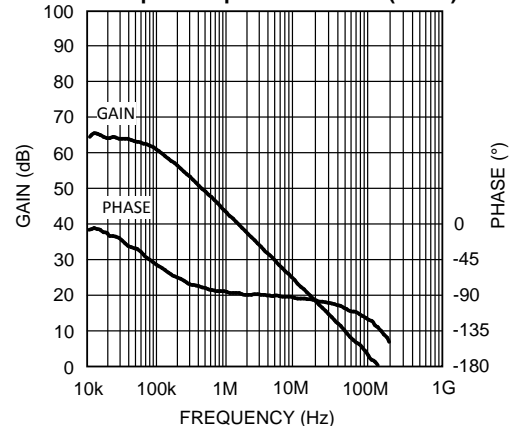


Figure 21.

**TYPICAL PERFORMANCE CHARACTERISTICS (continued)**

( $T_A = +25^\circ$ ,  $A_V = +2$ ,  $V_{CC} = \pm 5V$ ,  $R_F = 100\Omega$ ,  $R_L = 100\Omega$ , unless specified)

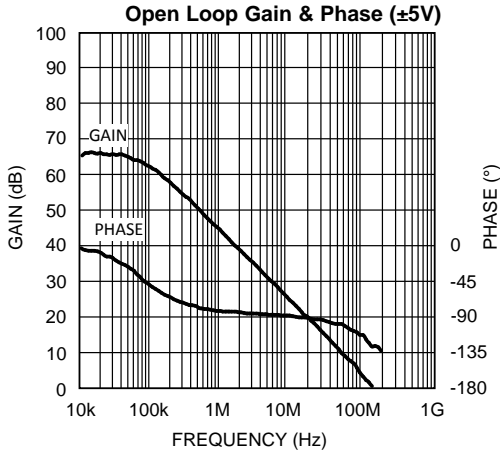


Figure 22.

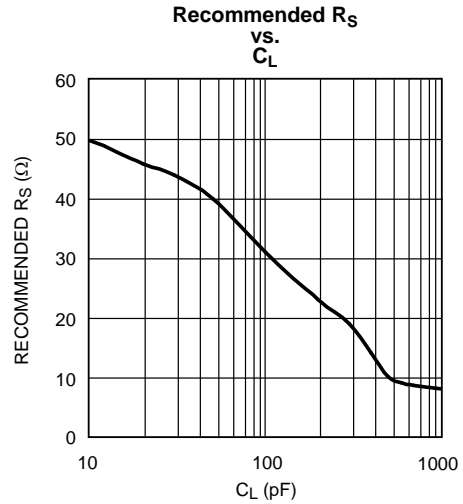


Figure 23.

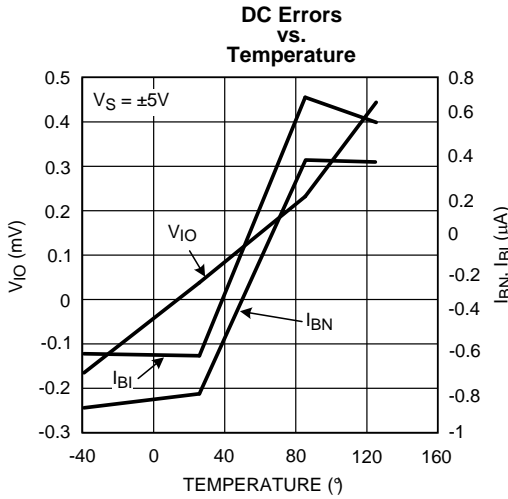


Figure 24.

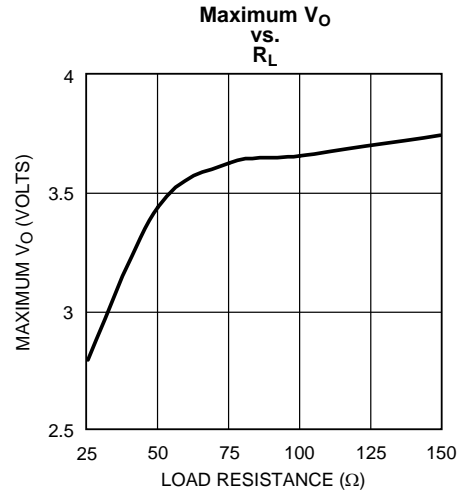


Figure 25.

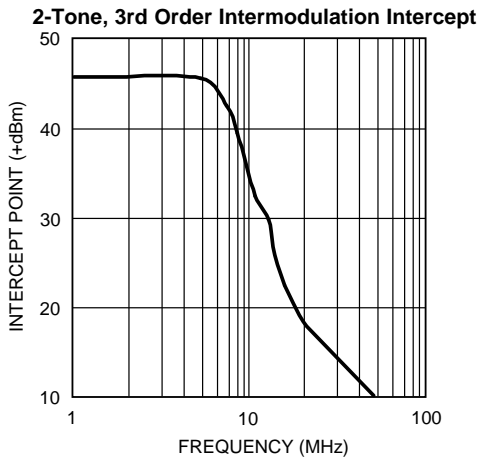


Figure 26.

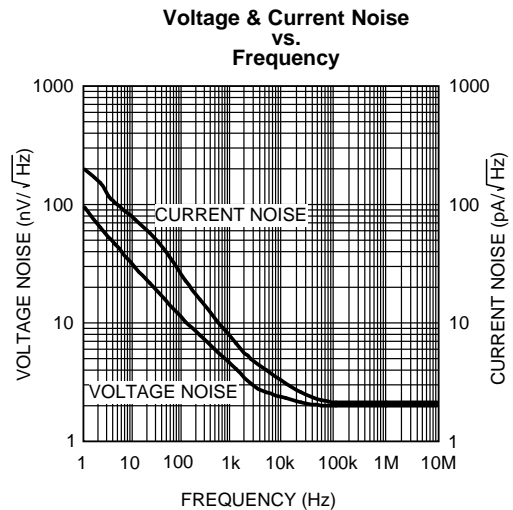
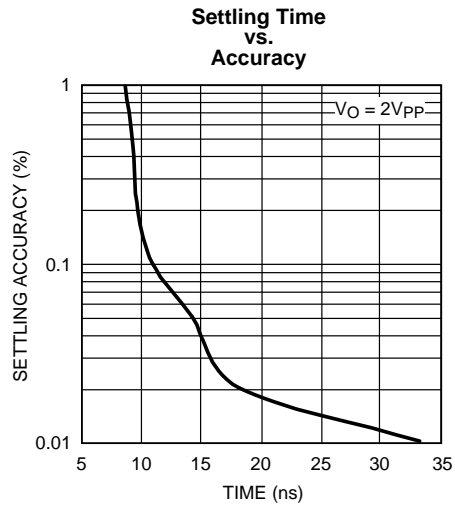


Figure 27.

**TYPICAL PERFORMANCE CHARACTERISTICS (continued)**

( $T_A = +25^\circ$ ,  $A_V = +2$ ,  $V_{CC} = \pm 5V$ ,  $R_F = 100\Omega$ ,  $R_L = 100\Omega$ , unless specified)



**Figure 28.**

## APPLICATION SECTION

### LOW NOISE DESIGN

Ultimate low noise performance from circuit designs using the LMH6628 requires the proper selection of external resistors. By selecting appropriate low valued resistors for  $R_F$  and  $R_G$ , amplifier circuits using the LMH6628 can achieve output noise that is approximately the equivalent voltage input noise of  $2nV/\sqrt{Hz}$  multiplied by the desired gain ( $A_V$ ).

### DC BIAS CURRENTS AND OFFSET VOLTAGES

Cancellation of the output offset voltage due to input bias currents is possible with the LMH6628. This is done by making the resistance seen from the inverting and non-inverting inputs equal. Once done, the residual output offset voltage will be the input offset voltage ( $V_{OS}$ ) multiplied by the desired gain ( $A_V$ ). Texas Application Note [OA-07](#) offers several solutions to further reduce the output offset.

### OUTPUT AND SUPPLY CONSIDERATIONS

With  $\pm 5V$  supplies, the LMH6628 is capable of a typical output swing of  $\pm 3.8V$  under a no-load condition. Additional output swing is possible with slightly higher supply voltages. For loads of less than  $50\Omega$ , the output swing will be limited by the LMH6628's output current capability, typically 85mA.

Output settling time when driving capacitive loads can be improved by the use of a series output resistor. See the plot labeled [Figure 23](#) in the [TYPICAL PERFORMANCE CHARACTERISTICS](#).

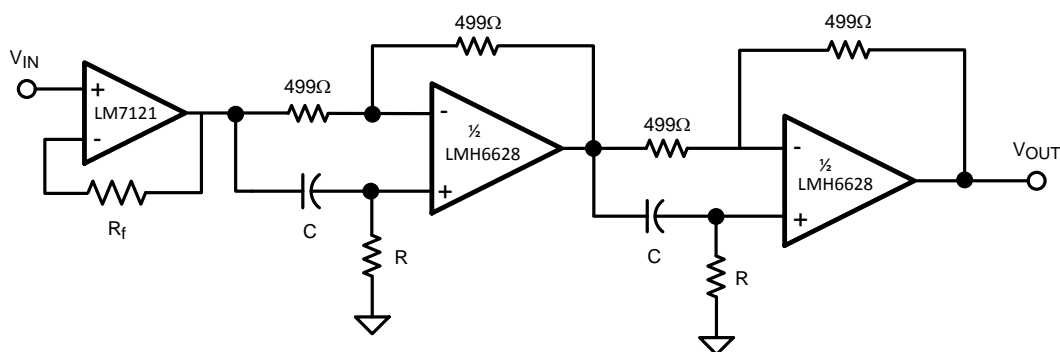
### LAYOUT

Proper power supply bypassing is critical to insure good high frequency performance and low noise. De-coupling capacitors of  $0.1\mu F$  should be placed as close as possible to the power supply pins. The use of surface mounted capacitors is recommended due to their low series inductance.

A good high frequency layout will keep power supply and ground traces away from the inverting input and output pins. Parasitic capacitance from these nodes to ground causes frequency response peaking and possible circuit oscillation. See [OA-15](#) for more information. Texas Instruments suggests the LMH730036 (SOIC) dual op amp evaluation board as a guide for high frequency layout and as an aid in device evaluation.

### ANALOG DELAY CIRCUIT (ALL-PASS NETWORK)

The circuit in [Figure 29](#) implements an all-pass network using the LMH6628. A wide bandwidth buffer (LM7121) drives the circuit and provides a high input impedance for the source. As shown in [Figure 30](#), the circuit provides a 13.1ns delay (with  $R = 40.2\Omega$ ,  $C = 47pF$ ).  $R_F$  and  $R_G$  should be of equal and low value for parasitic insensitive operation.



**Figure 29. Circuit That Implements an All-pass Network Using the LMH6628**

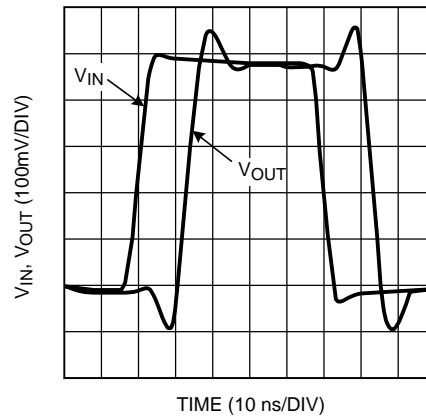


Figure 30. Delay Circuit Response to 0.5V Pulse

The circuit gain is +1 and the delay is determined by the following equations.

$$\tau_{\text{delay}} = 2(2RC + T_d) \tag{1}$$

$$T_d = \frac{1}{360} \frac{d\phi}{df};$$

where

- $T_d$  is the delay of the op amp at  $A_v = +1$  (2)

The LMH6628QML provides a typical delay of 2.8ns at its -3dB point.

### FULL DUPLEX DIGITAL OR ANALOG TRANSMISSION

Simultaneous transmission and reception of analog or digital signals over a single coaxial cable or twisted-pair line can reduce cabling requirements. The LMH6628's wide bandwidth and high common-mode rejection in a differential amplifier configuration allows full duplex transmission of video, telephone, control and audio signals.

In the circuit shown in Figure 31, one of the LMH6628's amps is used as a "driver" and the other as a difference "receiver" amplifier. The output impedance of the "driver" is essentially zero. The two R's are chosen to match the characteristic impedance of the transmission line. The "driver" op amp gain can be selected for unity or greater.

Receiver amplifier  $A_2$  ( $B_2$ ) is connected across R and forms differential amplifier for the signals transmitted by driver  $A_2$  ( $B_2$ ). If  $R_F$  equals  $R_G$ , receiver  $A_2$  ( $B_1$ ) will then reject the signals from driver  $A_1$  ( $B_1$ ) and pass the signals from driver  $B_1$  ( $A_1$ ).

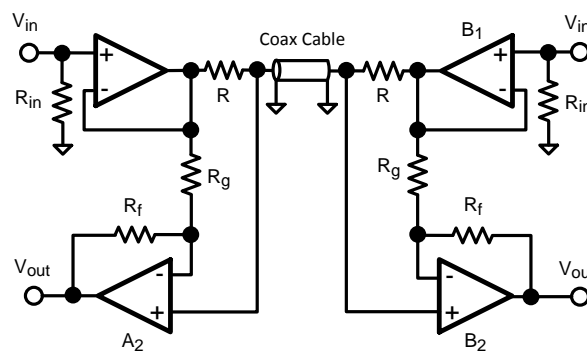
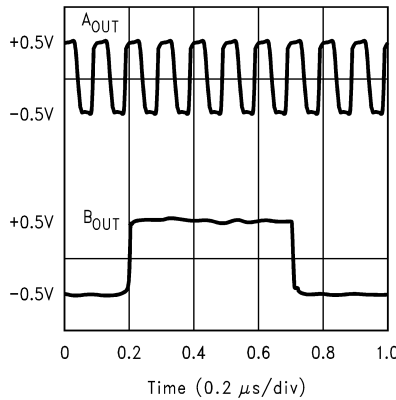


Figure 31. Full Duplex Transmit and Receive using the LMH6628

The output of the receiver amplifier will be:

$$V_{out_{A(B)}} = \frac{1}{2} V_{in_{A(B)}} \left[ 1 - \frac{R_f}{R_g} \right] + \frac{1}{2} V_{in_{B(A)}} \left[ 1 + \frac{R_f}{R_g} \right] \tag{3}$$

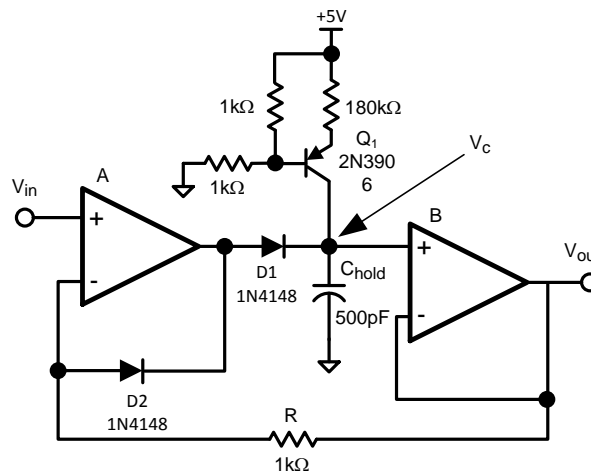
Care must be given to layout and component placement to maintain a high frequency common-mode rejection. The plot of [Figure 32](#) shows the simultaneous reception of signals transmitted at 1MHz and 10MHz.



**Figure 32. Simultaneous Reception of Signals Transmitted at 1MHz and 10MHz**

**POSITIVE PEAK DETECTOR**

The LMH6628's dual amplifiers can be used to implement a unity-gain peak detector circuit as shown in [Figure 33](#).



**Figure 33. LMH6628's Dual Amplifiers Used to Implement a Unity-Gain Peak Detector Circuit**

The acquisition speed of this circuit is limited by the dynamic resistance of the diode when charging  $C_{hold}$ . A plot of the circuit's performance is shown in [Figure 34](#) with a 1MHz sinusoidal input.

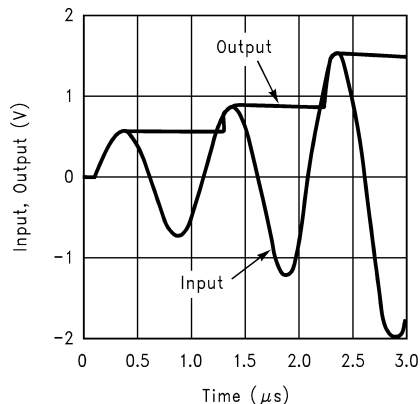


Figure 34. Circuit's Performance With a 1MHz Sinusoidal Input

A current source, built around Q1, provides the necessary bias current for the second amplifier and prevents saturation when power is applied. The resistor, R, closes the loop while diode D2 prevents negative saturation when  $V_{IN}$  is less than  $V_C$ . A MOS-type switch (not shown) can be used to reset the capacitor's voltage.

The maximum speed of detection is limited by the delay of the op amps and the diodes. The use of Schottky diodes will provide faster response.

### ADJUSTABLE OR BANDPASS EQUALIZER

A "boost" equalizer can be made with the LMH6628 by summing a bandpass response with the input signal, as shown in Figure 35.

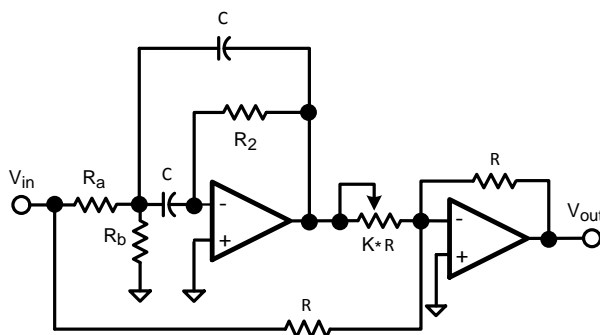


Figure 35. "Boost" Equalizer Made With the LMH6628 by Summing a Bandpass Response With the Input Signal

The overall transfer function is shown in Equation 4.

$$\frac{V_{out}}{V_{in}} = \left[ \frac{R_b}{K(R_a + R_b)} \right] \frac{s2Q\omega_o}{s^2 + s \frac{\omega_o}{Q} + \omega_o^2} - 1 \quad (4)$$

To build a boost circuit, use the design equations Equation 5 and Equation 6.

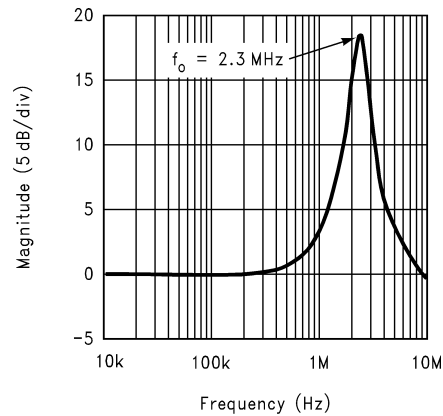
$$\frac{R_2 C}{2} = \frac{Q}{\omega_o} \quad (5)$$

$$2C (R_a \parallel R_b) = \frac{1}{Q\omega_o} \quad (6)$$

Select  $R_2$  and  $C$  using [Equation 5](#). Use reasonable values for high frequency circuits -  $R_2$  between  $10\Omega$  and  $5k\Omega$ ,  $C$  between  $10pF$  and  $2000pF$ . Use [Equation 6](#) to determine the parallel combination of  $R_a$  and  $R_b$ . Select  $R_a$  and  $R_b$  by either the  $10\Omega$  to  $5k\Omega$  criteria or by other requirements based on the impedance  $V_{in}$  is capable of driving. Finish the design by determining the value of  $K$  from [Equation 7](#).

$$\text{Peak Gain} = \frac{V_{out}}{V_{in}} (\omega_0) = \frac{R_2}{2KR_a} - 1 \quad (7)$$

[Figure 36](#) shows an example of the response of the circuit of [Figure 35](#), where  $f_0$  is  $2.3MHz$ . The component values are as follows:  $R_a=2.1k\Omega$ ,  $R_b = 68.5\Omega$ ,  $R_2 = 4.22k\Omega$ ,  $R = 500\Omega$ ,  $KR = 50\Omega$ ,  $C = 120pF$ .



**Figure 36. Example of Response of Circuit of [Figure 35](#), Where  $f_0$  is  $2.3MHz$**

### REVISION HISTORY

Date Released	Revision	Section	Changes
12/03/2010	A	New Corporate Format Release	1 MDS data sheet converted into a Corp. data sheet format. Following MDS data sheet will be Archived MNLHM6628-X-RH, Rev. 0A0
07/12/2011	B	Connection Diagrams	Replaced 8 Lead CDIP (NAB0008A) diagram depicting single Op Amp with diagram depicting dual Op Amp. Also replaced 10 Lead CLGA (NAC0010A) diagram depicting single Op Amp with diagram depicting dual Op Amp.
05/02/2013	B	All	Changed layout of National Data Sheet to TI format

**PACKAGING INFORMATION**

Orderable Device	Status (1)	Package Type	Package Drawing	Pins	Package Qty	Eco Plan (2)	Lead/Ball Finish	MSL Peak Temp (3)	Op Temp (°C)	Top-Side Markings (4)	Samples
5962-0254501MZA	ACTIVE	CFP	NAC	10	54	TBD	Call TI	Call TI	-55 to 125	LMH6628 WG-QML Q 5962-02545 01MZA ACO 01MZA >T	<a href="#">Samples</a>
5962-0254501VPA	ACTIVE	CDIP	NAB	8	40	TBD	Call TI	Call TI	-55 to 125	LMH6628J-QV 5962-02545 01VPA Q ACO 01VPA Q >T	<a href="#">Samples</a>
5962F0254501VZA	ACTIVE	CFP	NAC	10	54	TBD	Call TI	Call TI	-55 to 125	LMH6628 WGFQMLV Q 5962F02545 01VZA ACO 01VZA >T	<a href="#">Samples</a>
LMH6628J-QMLV	ACTIVE	CDIP	NAB	8	40	TBD	Call TI	Call TI	-55 to 125	LMH6628J-QV 5962-02545 01VPA Q ACO 01VPA Q >T	<a href="#">Samples</a>
LMH6628WG-QML	ACTIVE	CFP	NAC	10	54	TBD	Call TI	Call TI	-55 to 125	LMH6628 WG-QML Q 5962-02545 01MZA ACO 01MZA >T	<a href="#">Samples</a>
LMH6628WGFQMLV	ACTIVE	CFP	NAC	10	54	TBD	Call TI	Call TI	-55 to 125	LMH6628 WGFQMLV Q 5962F02545 01VZA ACO 01VZA >T	<a href="#">Samples</a>

(1) The marketing status values are defined as follows:

**ACTIVE:** Product device recommended for new designs.

**LIFEBUY:** TI has announced that the device will be discontinued, and a lifetime-buy period is in effect.

**NRND:** Not recommended for new designs. Device is in production to support existing customers, but TI does not recommend using this part in a new design.

**PREVIEW:** Device has been announced but is not in production. Samples may or may not be available.

**OBSOLETE:** TI has discontinued the production of the device.

(2) Eco Plan - The planned eco-friendly classification: Pb-Free (RoHS), Pb-Free (RoHS Exempt), or Green (RoHS & no Sb/Br) - please check <http://www.ti.com/productcontent> for the latest availability information and additional product content details.

**TBD:** The Pb-Free/Green conversion plan has not been defined.

**Pb-Free (RoHS):** TI's terms "Lead-Free" or "Pb-Free" mean semiconductor products that are compatible with the current RoHS requirements for all 6 substances, including the requirement that lead not exceed 0.1% by weight in homogeneous materials. Where designed to be soldered at high temperatures, TI Pb-Free products are suitable for use in specified lead-free processes.

**Pb-Free (RoHS Exempt):** This component has a RoHS exemption for either 1) lead-based flip-chip solder bumps used between the die and package, or 2) lead-based die adhesive used between the die and leadframe. The component is otherwise considered Pb-Free (RoHS compatible) as defined above.

**Green (RoHS & no Sb/Br):** TI defines "Green" to mean Pb-Free (RoHS compatible), and free of Bromine (Br) and Antimony (Sb) based flame retardants (Br or Sb do not exceed 0.1% by weight in homogeneous material)

<sup>(3)</sup> MSL, Peak Temp. -- The Moisture Sensitivity Level rating according to the JEDEC industry standard classifications, and peak solder temperature.

<sup>(4)</sup> Multiple Top-Side Markings will be inside parentheses. Only one Top-Side Marking contained in parentheses and separated by a "~" will appear on a device. If a line is indented then it is a continuation of the previous line and the two combined represent the entire Top-Side Marking for that device.

**Important Information and Disclaimer:**The information provided on this page represents TI's knowledge and belief as of the date that it is provided. TI bases its knowledge and belief on information provided by third parties, and makes no representation or warranty as to the accuracy of such information. Efforts are underway to better integrate information from third parties. TI has taken and continues to take reasonable steps to provide representative and accurate information but may not have conducted destructive testing or chemical analysis on incoming materials and chemicals. TI and TI suppliers consider certain information to be proprietary, and thus CAS numbers and other limited information may not be available for release.

In no event shall TI's liability arising out of such information exceed the total purchase price of the TI part(s) at issue in this document sold by TI to Customer on an annual basis.

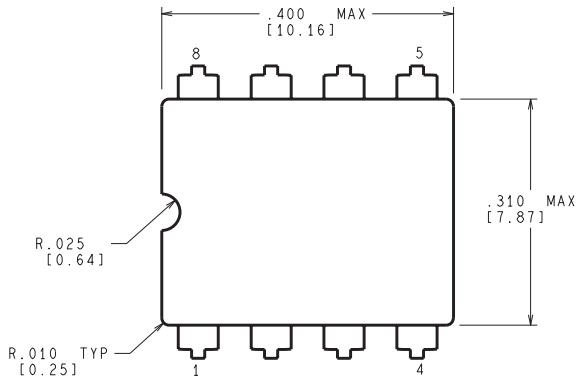
**OTHER QUALIFIED VERSIONS OF LMH6628QML, LMH6628QML-SP :**

- Military: [LMH6628QML](#)
- Space: [LMH6628QML-SP](#)

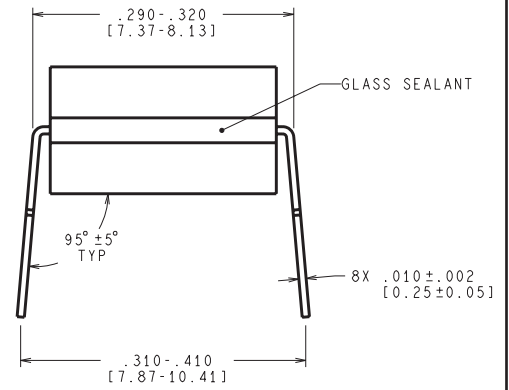
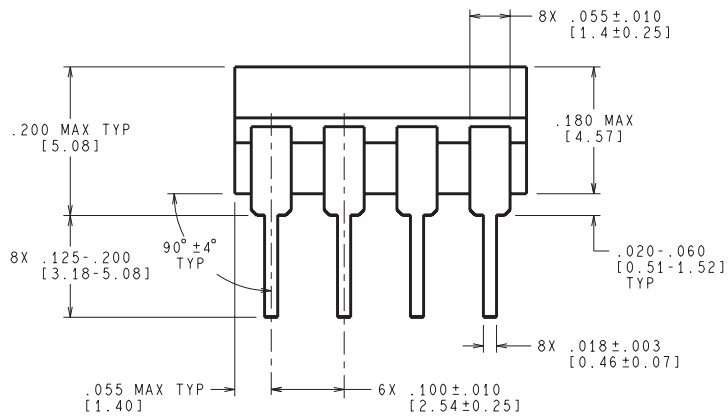
NOTE: Qualified Version Definitions:

- Military - QML certified for Military and Defense Applications
- Space - Radiation tolerant, ceramic packaging and qualified for use in Space-based application

NAB0008A

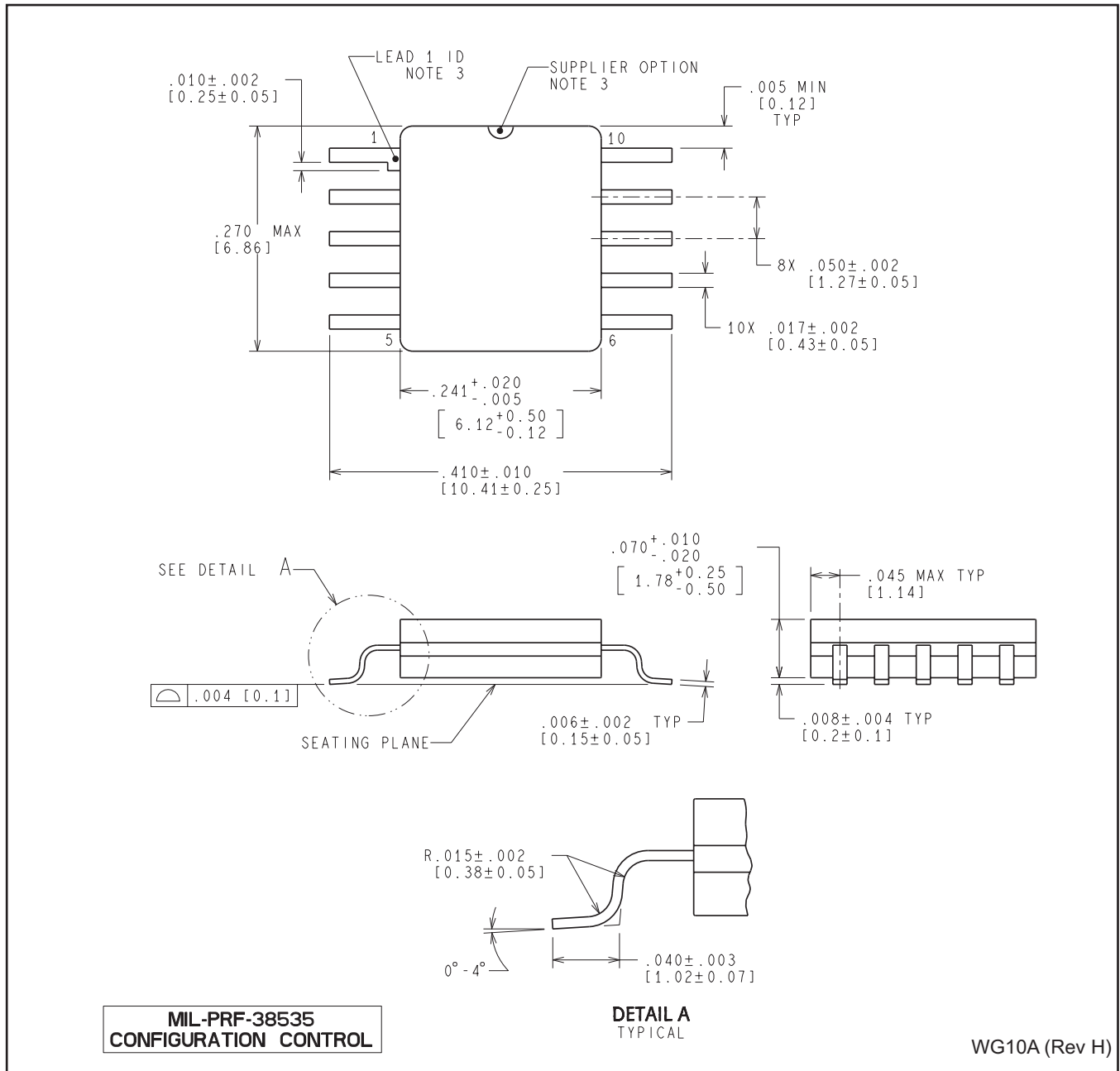


CONTROLLING DIMENSION IS INCH  
VALUES IN [ ] ARE MILLIMETERS



J08A (Rev M)

NAC0010A



## IMPORTANT NOTICE

Texas Instruments Incorporated and its subsidiaries (TI) reserve the right to make corrections, enhancements, improvements and other changes to its semiconductor products and services per JESD46, latest issue, and to discontinue any product or service per JESD48, latest issue. Buyers should obtain the latest relevant information before placing orders and should verify that such information is current and complete. All semiconductor products (also referred to herein as "components") are sold subject to TI's terms and conditions of sale supplied at the time of order acknowledgment.

TI warrants performance of its components to the specifications applicable at the time of sale, in accordance with the warranty in TI's terms and conditions of sale of semiconductor products. Testing and other quality control techniques are used to the extent TI deems necessary to support this warranty. Except where mandated by applicable law, testing of all parameters of each component is not necessarily performed.

TI assumes no liability for applications assistance or the design of Buyers' products. Buyers are responsible for their products and applications using TI components. To minimize the risks associated with Buyers' products and applications, Buyers should provide adequate design and operating safeguards.

TI does not warrant or represent that any license, either express or implied, is granted under any patent right, copyright, mask work right, or other intellectual property right relating to any combination, machine, or process in which TI components or services are used. Information published by TI regarding third-party products or services does not constitute a license to use such products or services or a warranty or endorsement thereof. Use of such information may require a license from a third party under the patents or other intellectual property of the third party, or a license from TI under the patents or other intellectual property of TI.

Reproduction of significant portions of TI information in TI data books or data sheets is permissible only if reproduction is without alteration and is accompanied by all associated warranties, conditions, limitations, and notices. TI is not responsible or liable for such altered documentation. Information of third parties may be subject to additional restrictions.

Resale of TI components or services with statements different from or beyond the parameters stated by TI for that component or service voids all express and any implied warranties for the associated TI component or service and is an unfair and deceptive business practice. TI is not responsible or liable for any such statements.

Buyer acknowledges and agrees that it is solely responsible for compliance with all legal, regulatory and safety-related requirements concerning its products, and any use of TI components in its applications, notwithstanding any applications-related information or support that may be provided by TI. Buyer represents and agrees that it has all the necessary expertise to create and implement safeguards which anticipate dangerous consequences of failures, monitor failures and their consequences, lessen the likelihood of failures that might cause harm and take appropriate remedial actions. Buyer will fully indemnify TI and its representatives against any damages arising out of the use of any TI components in safety-critical applications.

In some cases, TI components may be promoted specifically to facilitate safety-related applications. With such components, TI's goal is to help enable customers to design and create their own end-product solutions that meet applicable functional safety standards and requirements. Nonetheless, such components are subject to these terms.

No TI components are authorized for use in FDA Class III (or similar life-critical medical equipment) unless authorized officers of the parties have executed a special agreement specifically governing such use.

Only those TI components which TI has specifically designated as military grade or "enhanced plastic" are designed and intended for use in military/aerospace applications or environments. Buyer acknowledges and agrees that any military or aerospace use of TI components which have **not** been so designated is solely at the Buyer's risk, and that Buyer is solely responsible for compliance with all legal and regulatory requirements in connection with such use.

TI has specifically designated certain components as meeting ISO/TS16949 requirements, mainly for automotive use. In any case of use of non-designated products, TI will not be responsible for any failure to meet ISO/TS16949.

### Products

Audio	<a href="http://www.ti.com/audio">www.ti.com/audio</a>
Amplifiers	<a href="http://amplifier.ti.com">amplifier.ti.com</a>
Data Converters	<a href="http://dataconverter.ti.com">dataconverter.ti.com</a>
DLP® Products	<a href="http://www.dlp.com">www.dlp.com</a>
DSP	<a href="http://dsp.ti.com">dsp.ti.com</a>
Clocks and Timers	<a href="http://www.ti.com/clocks">www.ti.com/clocks</a>
Interface	<a href="http://interface.ti.com">interface.ti.com</a>
Logic	<a href="http://logic.ti.com">logic.ti.com</a>
Power Mgmt	<a href="http://power.ti.com">power.ti.com</a>
Microcontrollers	<a href="http://microcontroller.ti.com">microcontroller.ti.com</a>
RFID	<a href="http://www.ti-rfid.com">www.ti-rfid.com</a>
OMAP Applications Processors	<a href="http://www.ti.com/omap">www.ti.com/omap</a>
Wireless Connectivity	<a href="http://www.ti.com/wirelessconnectivity">www.ti.com/wirelessconnectivity</a>

### Applications

Automotive and Transportation	<a href="http://www.ti.com/automotive">www.ti.com/automotive</a>
Communications and Telecom	<a href="http://www.ti.com/communications">www.ti.com/communications</a>
Computers and Peripherals	<a href="http://www.ti.com/computers">www.ti.com/computers</a>
Consumer Electronics	<a href="http://www.ti.com/consumer-apps">www.ti.com/consumer-apps</a>
Energy and Lighting	<a href="http://www.ti.com/energy">www.ti.com/energy</a>
Industrial	<a href="http://www.ti.com/industrial">www.ti.com/industrial</a>
Medical	<a href="http://www.ti.com/medical">www.ti.com/medical</a>
Security	<a href="http://www.ti.com/security">www.ti.com/security</a>
Space, Avionics and Defense	<a href="http://www.ti.com/space-avionics-defense">www.ti.com/space-avionics-defense</a>
Video and Imaging	<a href="http://www.ti.com/video">www.ti.com/video</a>

### TI E2E Community

[e2e.ti.com](http://e2e.ti.com)