

LT1014, LT1014A, LT1014D QUAD PRECISION OPERATIONAL AMPLIFIERS

SLOS039C – JULY 1989 – REVISED SEPTEMBER 1999

- **Single-Supply Operation:**
Input Voltage Range Extends to Ground,
and Output Swings to Ground While
Sinking Current
- **Input Offset Voltage 300 μV Max at 25°C for
LT1014**
- **Offset Voltage Temperature Coefficient
2.5 $\mu\text{V}/^\circ\text{C}$ Max for LT1014**
- **Input Offset Current 1.5 nA Max at 25°C for
LT1014**
- **High Gain 1.2 $\text{V}/\mu\text{V}$ Min ($R_L = 2 \text{ k}\Omega$), 0.5 $\text{V}/\mu\text{V}$
Min ($R_L = 600 \Omega$) for LT1014**
- **Low Supply Current 2.2 mA Max at 25°C for
LT 1014**
- **Low Peak-to-Peak Noise Voltage
0.55 μV Typ**
- **Low Current Noise 0.07 $\text{pA}/\sqrt{\text{Hz}}$ Typ**

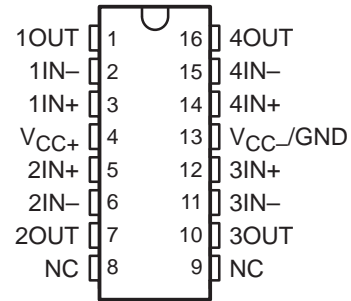
description

The LT1014, LT1014A, and LT1014D are quad precision operational amplifiers with 14-pin industry-standard configuration. They feature low offset-voltage temperature coefficient, high gain, low supply current, and low noise.

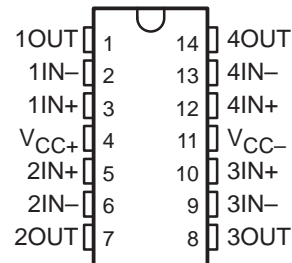
The LT1014, LT1014A, and LT1014D can be operated with both dual $\pm 15\text{-V}$ and single 5-V power supplies. The common-mode input voltage range includes ground, and the output voltage can also swing to within a few millivolts of ground. Crossover distortion is eliminated.

The LT1014C and LT1014 AC are characterized for operation from 0°C to 70°C. The LT1014I and LT1014DI are characterized for operation from -40°C to 105°C. The LT1014M, LT1014AM and LT1014DM are characterized for operation over the full military temperature range of -55°C to 125°C.

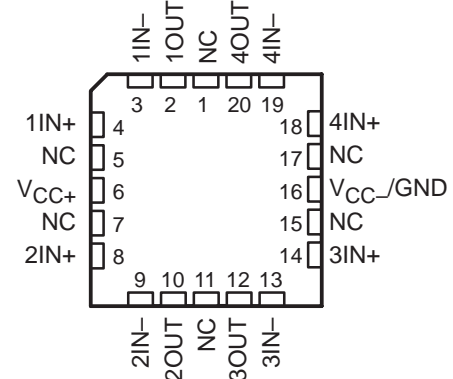
**DW PACKAGE
(TOP VIEW)**



**J OR N PACKAGE
(TOP VIEW)**



**FK PACKAGE
(TOP VIEW)**



NC – No internal connection



Please be aware that an important notice concerning availability, standard warranty, and use in critical applications of Texas Instruments semiconductor products and disclaimers thereto appears at the end of this data sheet.

PRODUCTION DATA information is current as of publication date. Products conform to specifications per the terms of Texas Instruments standard warranty. Production processing does not necessarily include testing of all parameters.



POST OFFICE BOX 655303 • DALLAS, TEXAS 75265

Copyright © 1999, Texas Instruments Incorporated

LT1014, LT1014A, LT1014D QUAD PRECISION OPERATIONAL AMPLIFIERS

SLOS039C – JULY 1989 – REVISED SEPTEMBER 1999

AVAILABLE OPTIONS

T _A	V _{IO} max AT 25°C	PACKAGED DEVICES			
		SMALL OUTLINE (DW)	CHIP CARRIER (FK)	CERAMIC DIP (J)	PLASTIC DIP (N)
0°C to 70°C	300 μV 800 μV	— LT1014DDW	— —	— —	LT1014CN LT1014DN
–40°C to 105°C	300 μV 800 μV	— LT1014DIDW	— —	— —	LT1014IN LT1014DIN
–55°C to 125°C	180 μV 300 μV 800 μV	— — LT1014DMDW	LT1014AMFK LT1014MFK —	LT1014AMJ LT1014MJ —	— LT1014MN LT1014DMN

The DW package is available taped and reeled. Add the suffix R to the device type (e.g., LT1014DDWR).

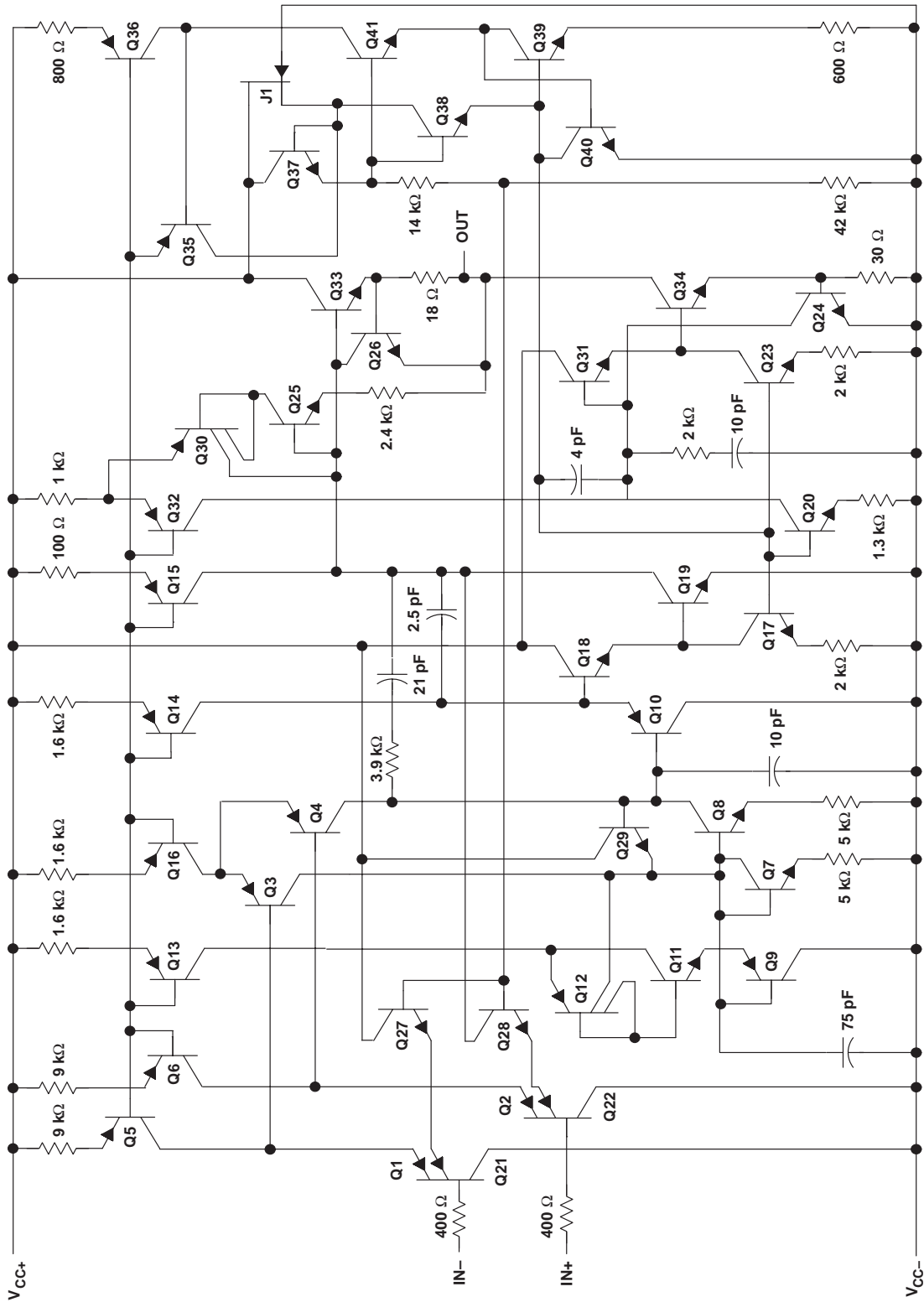


POST OFFICE BOX 655303 • DALLAS, TEXAS 75265

LT1014, LT1014A, LT1014D QUAD PRECISION OPERATIONAL AMPLIFIERS

SLOS039C – JULY 1989 – REVISED SEPTEMBER 1999

schematic (each amplifier)



Component values are nominal.

LT1014, LT1014A, LT1014D QUAD PRECISION OPERATIONAL AMPLIFIERS

SLOS039C – JULY 1989 – REVISED SEPTEMBER 1999

absolute maximum ratings over operating free-air temperature range (unless otherwise noted)†

Supply voltage (see Note 1): V_{CC+}	22 V
V_{CC-}	-22 V
Differential input voltage (see Note 2)	± 30 V
Input voltage range, V_I (any input) (see Note 1)	$V_{CC-} - 5$ V to V_{CC+}
Duration of short-circuit current at (or below) $T_A = 25^\circ\text{C}$ (see Note 3)	Unlimited
Continuous total power dissipation	See Dissipation Rating Table
Operating free-air temperature range, T_A : LT1014C, LT1014DC	-0°C to 70°C
LT1014I, LT1014DI	-40°C to 105°C
LT1014M, LT1014AM, LT1014DM	-55°C to 125°C
Lead temperature 1,6 mm (1/16 inch) from case for 60 seconds: J package	300°C
Lead temperature 1,6 mm (1/16 inch) from case for 10 seconds: DW or N package	260°C
Case temperature for 60 seconds: FK package	260°C
Storage temperature range, T_{stg}	-65°C to 150°C

† Stresses beyond those listed under “absolute maximum ratings” may cause permanent damage to the device. These are stress ratings only, and functional operation of the device at these or any other conditions beyond those indicated under “recommended operating conditions” is not implied. Exposure to absolute-maximum-rated conditions for extended periods may affect device reliability.

- NOTES: 1. All voltage values, except differential voltages, are with respect to the midpoint between V_{CC+} and V_{CC-} .
 2. Differential voltages are at the noninverting input with respect to the inverting input.
 3. The output may be shorted to either supply.

DISSIPATION RATING TABLE

PACKAGE	$T_A \leq 25^\circ\text{C}$ POWER RATING	DERATING FACTOR ABOVE $T_A = 25^\circ\text{C}$	$T_A = 70^\circ\text{C}$ POWER RATING	$T_A = 105^\circ\text{C}$ POWER RATING	$T_A = 125^\circ\text{C}$ POWER RATING
DW	1025 mW	8.2 mW/ $^\circ\text{C}$	656 mW	369 mW	205 mW
FK	1375 mW	11.0 mW/ $^\circ\text{C}$	880 mW	495 mW	275 mW
J	1375 mW	11.0 mW/ $^\circ\text{C}$	880 mW	495 mW	275 mW
N	1150 mW	9.2 mW/ $^\circ\text{C}$	736 mW	414 mW	230 mW



LT1014, LT1014A, LT1014D QUAD PRECISION OPERATIONAL AMPLIFIERS

SLOS039C – JULY 1989 – REVISED SEPTEMBER 1999

electrical characteristics at specified free-air temperature, $V_{CC\pm} = \pm 15\text{ V}$, $V_{IC} = 0$ (unless otherwise noted)

PARAMETER	TEST CONDITIONS	T_A †	LT1014C		LT1014DC		UNIT
			MIN	TYP‡	MAX	MIN	
V_{IO} Input offset voltage	$R_S = 50\ \Omega$	25°C	60	300	200	800	μV
		Full range	550		1000		
$\alpha_{V_{IO}}$ Temperature coefficient of input offset voltage		25°C	0.4	2.5	0.7	5	$\mu\text{V}/^\circ\text{C}$
		Full range					
Long-term drift of input offset voltage		25°C	0.5		0.5		$\mu\text{V}/\text{mo}$
I_{IO} Input offset current		25°C	0.15	1.5	0.15	1.5	nA
		Full range	2.8		2.8		
I_{IB} Input bias current		25°C	-12	-30	-12	-30	nA
		Full range	-38		-38		
V_{ICR} Common-mode input voltage range		25°C	-15 to 13.5	-15.3 to 13.8	-15 to 13.5	-15.3 to 13.8	V
		Full range	-15 to 13		-15 to 13		
V_{OM} Maximum peak output voltage swing	$R_L = 2\ \text{k}\Omega$	25°C	± 12.5	± 14	± 12.5	± 14	V
		Full range	± 12		± 12		
AVD Large-signal differential voltage amplification	$V_O = \pm 10\ \text{V}$, $R_L = 600\ \Omega$	25°C	0.5	2	0.5	2	$\text{V}/\mu\text{V}$
	$V_O = \pm 10\ \text{V}$, $R_L = 2\ \text{k}\Omega$	25°C	1.2	8	1.2	8	
		Full range	0.7		0.7		
CMRR Common-mode rejection ratio	$V_{IC} = -15\ \text{V}$ to $13.5\ \text{V}$	25°C	97	117	97	117	dB
	$V_{IC} = -15\ \text{V}$ to $13\ \text{V}$	Full range	94		94		
kSVR Supply-voltage rejection ratio ($\Delta V_{CC}/\Delta V_{IO}$)	$V_{CC\pm} = \pm 2\ \text{V}$ to $\pm 18\ \text{V}$	25°C	100	117	100	117	dB
		Full range	97		97		
Channel separation	$V_O = \pm 10\ \text{V}$, $R_L = 2\ \text{k}\Omega$	25°C	120	137	120	137	dB
r_{id} Differential input resistance		25°C	70	300	70	300	$\text{M}\Omega$
r_{ic} Common-mode input resistance		25°C	4		4		$\text{G}\Omega$
I_{CC} Supply current per amplifier		25°C	0.35	0.55	0.35	0.55	mA
		Full range	0.6		0.6		

† Full range is 0°C to 70°C.

‡ All typical values are at $T_A = 25^\circ\text{C}$.



LT1014, LT1014A, LT1014D QUAD PRECISION OPERATIONAL AMPLIFIERS

SLOS039C – JULY 1989 – REVISED SEPTEMBER 1999

electrical characteristics at specified free-air temperature, $V_{CC\pm} = 5\text{ V}$, $V_{CC-} = 0$, $V_O = 1.4\text{ V}$, $V_{IC} = 0$ (unless otherwise noted)

PARAMETER	TEST CONDITIONS	T_A †	LT1014C			LT1014DC			UNIT
			MIN	TYP	MAX	MIN	TYP	MAX	
V_{IO} Input offset voltage	$R_S = 50\ \Omega$	25°C	90	450		250	950	μV	
		Full range			570		1200		
I_{IO} Input offset current		25°C	0.2	2		0.2	2	nA	
		Full range			6		6		
I_{IB} Input bias current		25°C	-15	-50		-15	-50	nA	
		Full range			-90		-90		
V_{ICR} Common-mode input voltage range		25°C	0 to 3.5	-0.3 to 3.8		0 to 3.5	-0.3 to 3.8	V	
		Full range	0 to 3			0 to 3			
V_{OM} Maximum peak output voltage swing	Output low, No load	25°C	15	25		15	25	mV	
	Output low, $R_L = 600\ \Omega$ to GND	25°C	5	10		5	10		
		Full range			13		13		
	Output low, $I_{sink} = 1\text{ mA}$	25°C	220	350		220	350	V	
	Output high, No load	25°C	4	4.4		4	4.4		
	Output high, $R_L = 600\ \Omega$ to GND	25°C	3.4	4		3.4	4		
Full range				3.2		3.2			
A_{VD} Large-signal differential voltage amplification	$V_O = 5\text{ mV}$ to 4 V, $R_L = 500\ \Omega$	25°C	1			1	$\text{V}/\mu\text{V}$		
I_{CC} Supply current per amplifier		25°C	0.3	0.5		0.3	0.5	mA	
		Full range			0.55		0.55		

† Full range is 0°C to 70°C.

operating characteristics, $V_{CC\pm} = \pm 15\text{ V}$, $V_{IC} = 0$, $T_A = 25^\circ\text{C}$

PARAMETER	TEST CONDITIONS	MIN	TYP	MAX	UNIT
SR Slew rate		0.2	0.4		$\text{V}/\mu\text{s}$
V_n Equivalent input noise voltage	$f = 10\text{ Hz}$		24		$\text{nV}/\sqrt{\text{Hz}}$
	$f = 1\text{ kHz}$		22		
$V_{N(PP)}$ Peak-to-peak equivalent input noise voltage	$f = 0.1\text{ Hz}$ to 10 Hz		0.55		μV
I_n Equivalent input noise current	$f = 10\text{ Hz}$		0.07		$\text{pA}/\sqrt{\text{Hz}}$



LT1014, LT1014A, LT1014D QUAD PRECISION OPERATIONAL AMPLIFIERS

SLOS039C – JULY 1989 – REVISED SEPTEMBER 1999

electrical characteristics at specified free-air temperature, $V_{CC\pm} = \pm 15\text{ V}$, $V_{IC} = 0$ (unless otherwise noted)

PARAMETER	TEST CONDITIONS	T_A †	LT1014I		LT1014DI		UNIT
			MIN	TYP‡	MAX	MIN	
V_{IO} Input offset voltage	$R_S = 50\ \Omega$	25°C	60	300	200	800	μV
		Full range	550		1000		
$\alpha_{V_{IO}}$ Temperature coefficient of input offset voltage		25°C	0.4	2.5	0.7	5	$\mu\text{V}/^\circ\text{C}$
		Full range					
Long-term drift of input offset voltage		25°C	0.5		0.5		$\mu\text{V}/\text{mo}$
I_{IO} Input offset current		25°C	0.15	1.5	0.15	1.5	nA
		Full range	2.8		2.8		
I_{IB} Input bias current		25°C	-12	-30	-12	-30	nA
		Full range	-38		-38		
V_{ICR} Common-mode input voltage range		25°C	-15 to 13.5	-15.3 to 13.8	-15 to 13.5	-15.3 to 13.8	V
		Full range	-15 to 13		-15 to 13		
V_{OM} Maximum peak output voltage swing	$R_L = 2\ \text{k}\Omega$	25°C	± 12.5	± 14	± 12.5	± 14	V
		Full range	± 12		± 12		
AVD Large-signal differential voltage amplification	$V_O = \pm 10\ \text{V}$, $R_L = 600\ \Omega$	25°C	0.5	2	0.5	2	$\text{V}/\mu\text{V}$
	$V_O = \pm 10\ \text{V}$, $R_L = 2\ \text{k}\Omega$	25°C	1.2	8	1.2	8	
		Full range	0.7		0.7		
CMRR Common-mode rejection ratio	$V_{IC} = -15\ \text{V}$ to $13.5\ \text{V}$	25°C	97	117	97	117	dB
		Full range	94		94		
kSVR Supply-voltage rejection ratio ($\Delta V_{CC}/\Delta V_{IO}$)	$V_{CC\pm} = \pm 2\ \text{V}$ to $\pm 18\ \text{V}$	25°C	100	117	100	117	dB
		Full range	97		97		
Channel separation	$V_O = \pm 10\ \text{V}$, $R_L = 2\ \text{k}\Omega$	25°C	120	137	120	137	dB
r_{id} Differential input resistance		25°C	70	300	70	300	$\text{M}\Omega$
r_{ic} Common-mode input resistance		25°C	4		4		$\text{G}\Omega$
I_{CC} Supply current per amplifier		25°C	0.35	0.55	0.35	0.55	mA
		Full range	0.6		0.6		

† Full range is -40°C to 105°C .

‡ All typical values are at $T_A = 25^\circ\text{C}$.



LT1014, LT1014A, LT1014D QUAD PRECISION OPERATIONAL AMPLIFIERS

SLOS039C – JULY 1989 – REVISED SEPTEMBER 1999

electrical characteristics at specified free-air temperature, $V_{CC+} = 5\text{ V}$, $V_{CC-} = 0$, $V_O = 1.4\text{ V}$, $V_{IC} = 0$ (unless otherwise noted)

PARAMETER	TEST CONDITIONS	T_A †	LT1014I			LT1014DI			UNIT
			MIN	TYP	MAX	MIN	TYP	MAX	
V_{IO} Input offset voltage	$R_S = 50\ \Omega$	25°C	90	450		250	950	μV	
		Full range			570		1200		
I_{IO} Input offset current		25°C	0.2	2		0.2	2	nA	
		Full range			6		6		
I_{IB} Input bias current		25°C	-15	-50		-15	-50	nA	
		Full range			-90		-90		
V_{ICR} Common-mode input voltage range		25°C	0 to 3.5	-0.3 to 3.8		0 to 3.5	-0.3 to 3.8	V	
		Full range	0 to 3			0 to 3			
V_{OM} Maximum peak output voltage swing	Output low, No load	25°C	15	25		15	25	mV	
	Output low, $R_L = 600\ \Omega$ to GND	25°C	5	10		5	10		
		Full range			13		13		
	Output low, $I_{\text{sink}} = 1\text{ mA}$	25°C	220	350		220	350	V	
	Output high, No load	25°C	4	4.4		4	4.4		
	Output high, $R_L = 600\ \Omega$ to GND	25°C	3.4	4		3.4	4		
Full range				3.2		3.2			
A_{VD} Large-signal differential voltage amplification	$V_O = 5\text{ mV}$ to 4 V, $R_L = 500\ \Omega$	25°C	1			1	$\text{V}/\mu\text{V}$		
I_{CC} Supply current per amplifier		25°C	0.3	0.5		0.3	0.5	mA	
		Full range			0.55		0.55		

† Full range is -40°C to 105°C.

operating characteristics, $V_{CC+} = \pm 15\text{ V}$, $V_{IC} = 0$, $T_A = 25^\circ\text{C}$

PARAMETER	TEST CONDITIONS	MIN	TYP	MAX	UNIT
SR Slew rate		0.2	0.4		$\text{V}/\mu\text{s}$
V_n Equivalent input noise voltage	f = 10 Hz		24		$\text{nV}/\sqrt{\text{Hz}}$
	f = 1 kHz		22		
$V_{N(PP)}$ Peak-to-peak equivalent input noise voltage	f = 0.1 Hz to 10 Hz		0.55		μV
I_n Equivalent input noise current	f = 10 Hz		0.07		$\text{pA}/\sqrt{\text{Hz}}$



LT1014, LT1014A, LT1014D QUAD PRECISION OPERATIONAL AMPLIFIERS

SLOS039C – JULY 1989 – REVISED SEPTEMBER 1999

electrical characteristics at specified free-air temperature, $V_{CC\pm} = \pm 15\text{ V}$, $V_{IC} = 0$ (unless otherwise noted)

PARAMETER	TEST CONDITIONS	T_A^\dagger	LT1014M			LT1014AM			LT1014DM			UNIT
			MIN	TYP ‡	MAX	MIN	TYP ‡	MAX	MIN	TYP ‡	MAX	
V_{IO} Input offset voltage	$R_S = 50\ \Omega$	25°C	60	300		60	180		200	800	μV	
		Full range			550		350			1000		
$\alpha_{V_{IO}}$ Temperature coefficient of input offset voltage		Full range	0.5	2.5		0.5	2		0.5	2.5	$\mu\text{V}/^\circ\text{C}$	
Long-term drift of input offset voltage		25°C	0.5			0.5			0.5		$\mu\text{V}/\text{mo}$	
I_{IO} Input offset current		25°C	0.15	1.5		0.15	0.8		0.15	1.5	nA	
		Full range			5		2.8			5		
I_{IB} Input bias current		25°C	-12	-30		-12	-20		-12	-30	nA	
		Full range			-45		-30			-45		
V_{ICR} Common-mode input voltage range		25°C	-15 to 13.5	-15.3 to 13.8		-15 to 13.5	-15.3 to 13.8		-15 to 13.5	-15.3 to 13.8	V	
		Full range	-14.9 to 13			-14.9 to 13			-14.9 to 13			
V_{OM} Maximum peak output voltage swing	$R_L = 2\ \text{k}\Omega$	25°C	± 12.5	± 14		± 13	± 14		± 12.5	± 14	V	
		Full range	± 11.5			± 12			± 11.5			
AVD Large-signal differential voltage amplification	$V_O = \pm 10\ \text{V}$, $R_L = 600\ \Omega$	25°C	0.5	2		0.8	2.2		0.5	2	$\text{V}/\mu\text{V}$	
		25°C	1.2	8		1.5	8		1.2	8		
		Full range	0.25			0.4			0.25			
CMRR Common-mode rejection ratio	$V_{IC} = -15\ \text{V}$ to 13.5 V	25°C	97	117		100	117		97	117	dB	
		Full range	94			96			94			
k_{SVR} Supply-voltage rejection ratio ($\Delta V_{CC}/\Delta V_{IO}$)	$V_{CC\pm} = \pm 2\ \text{V}$ to $\pm 18\ \text{V}$	25°C	100	117		103	117		100	117	dB	
		Full range	97			100			97			
Channel separation	$V_O = \pm 10\ \text{V}$, $R_L = 2\ \text{k}\Omega$	25°C	120	137		123	137		120	137	dB	
r_{id} Differential input resistance		25°C	70	300		100	300		70	300	$\text{M}\Omega$	
r_{ic} Common-mode input resistance		25°C	4			4			4		$\text{G}\Omega$	
I_{CC} Supply current per amplifier		25°C	0.35	0.55		0.35	0.50		0.35	0.55	mA	
		Full range			0.7		0.6			0.7		

† Full range is -55°C to 125°C .

‡ All typical values are at $T_A = 25^\circ\text{C}$.



LT1014, LT1014A, LT1014D QUAD PRECISION OPERATIONAL AMPLIFIERS

SLOS039C – JULY 1989 – REVISED SEPTEMBER 1999

electrical characteristics at specified free-air temperature, $V_{CC+} = 5\text{ V}$, $V_{CC-} = 0$, $V_O = 1.4\text{ V}$, $V_{IC} = 0$ (unless otherwise noted)

PARAMETER	TEST CONDITIONS	T_A †	LT1014M			LT1014AM			LT1014DM			UNIT
			MIN	TYP	MAX	MIN	TYP	MAX	MIN	TYP	MAX	
V_{IO} Input offset voltage	$R_S = 50\Omega$	25°C		90	450		90	280		250	950	μV
		Full range		400	1500		400	960		800	2000	
	$R_S = 50\Omega$, $V_{IC} = 0.1\text{ V}$	125°C		200	750		200	480		560	1200	
I_{IO} Input offset current		25°C		0.2	2		0.2	1.3		0.2	2	nA
		Full range			10			7			10	
I_{IB} Input bias current		25°C		-15	-50		-15	-35		-15	-50	nA
		Full range			-120			-90			-120	
V_{ICR} Common-mode input voltage range		25°C	0 to 3.5	-0.3 to 3.8		0 to 3.5	-0.3 to 3.8		0 to 3.5	-0.3 to 3.8		V
		Full range	0.1 to 3			0.1 to 3			0.1 to 3			
V_{OM} Maximum peak output voltage swing	Output low, No load	25°C		15	25		15	25		15	25	mV
	Output low, $R_L = 600\Omega$ to GND	25°C		5	10		5	10		5	10	
		Full range			18			15			18	
	Output low, $I_{sink} = 1\text{ mA}$	25°C		220	350		220	350		220	350	V
	Output high, No load	25°C	4	4.4		4	4.4		4	4.4		
	Output high, $R_L = 600\Omega$ to GND	25°C	3.4	4		3.4	4		3.4	4		
A_{VD} Large-signal differential voltage amplification	$V_O = 5\text{ mV}$ to 4 V, $R_L = 500\Omega$	25°C		1			1			1		$\text{V}/\mu\text{V}$
		Full range										
I_{CC} Supply current per amplifier		25°C		0.3	0.5		0.3	0.45		0.3	0.5	mA
		Full range			0.65			0.55			0.65	

† Full range is -55°C to 125°C.

operating characteristics, $V_{CC\pm} = \pm 15\text{ V}$, $V_{IC} = 0$, $T_A = 25^\circ\text{C}$

PARAMETER		TEST CONDITIONS	MIN	TYP	MAX	UNIT
SR	Slew rate		0.2	0.4		$\text{V}/\mu\text{s}$
V_n	Equivalent input noise voltage	$f = 10\text{ Hz}$		24		$\text{nV}/\sqrt{\text{Hz}}$
		$f = 1\text{ kHz}$		22		
$V_{N(PP)}$	Peak-to-peak equivalent input noise voltage	$f = 0.1\text{ Hz}$ to 10 Hz		0.55		μV
I_n	Equivalent input noise current	$f = 10\text{ Hz}$		0.07		$\text{pA}/\sqrt{\text{Hz}}$



TYPICAL CHARACTERISTICS

Table of Graphs

		FIGURE	
V_{IO}	Input offset voltage vs Balanced source resistance	1	
V_{IO}	Input offset voltage vs Free-air temperature	2	
ΔV_{IO}	Warm-Up Change in input offset voltage vs Elapsed time	3	
I_{IO}	Input offset current vs Free-air temperature	4	
I_{IB}	Input bias current vs Free-air temperature	5	
V_{IC}	Common-mode input voltage vs Input bias current	6	
A_{VD}	Differential voltage amplification	vs Load resistance	7, 8
		vs Frequency	9, 10
	Channel separation vs Frequency	11	
	Output saturation voltage vs Free-air temperature	12	
CMRR	Common-mode rejection ratio vs Frequency	13	
k_{SVR}	Supply-voltage rejection ratio vs Frequency	14	
I_{CC}	Supply current vs Free-air temperature	15	
I_{OS}	Short-circuit output current vs Elapsed time	16	
V_n	Equivalent input noise voltage vs Frequency	17	
I_n	Equivalent input noise current vs Frequency	17	
$V_{N(PP)}$	Peak-to-peak input noise voltage vs Time	18	
	Pulse response (small signal) vs Time	19, 21	
	Pulse response (large signal) vs Time	20, 22, 23	
	Phase shift vs Frequency	9	

LT1014, LT1014A, LT1014D QUAD PRECISION OPERATIONAL AMPLIFIERS

SLOS039C – JULY 1989 – REVISED SEPTEMBER 1999

TYPICAL CHARACTERISTICS†

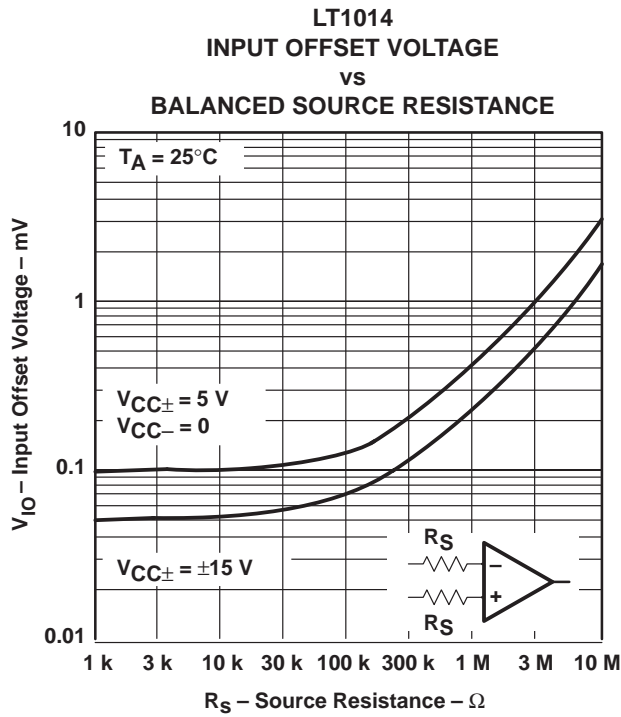


Figure 1

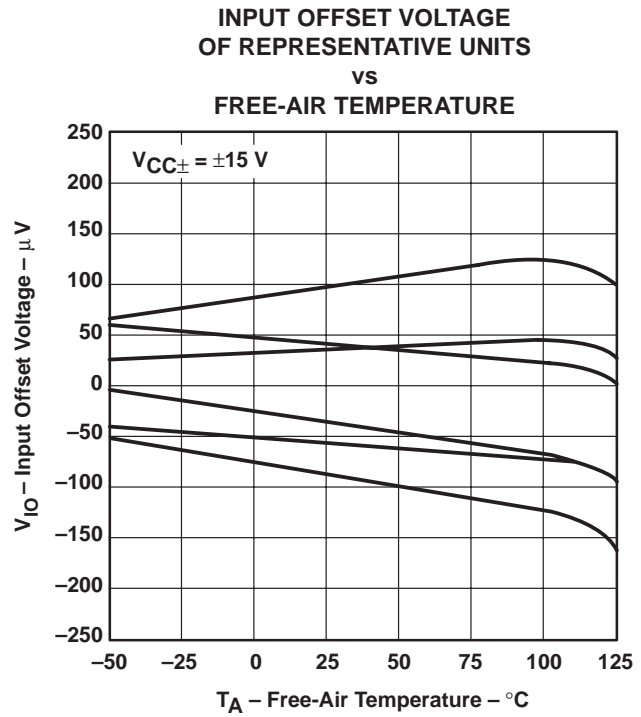


Figure 2

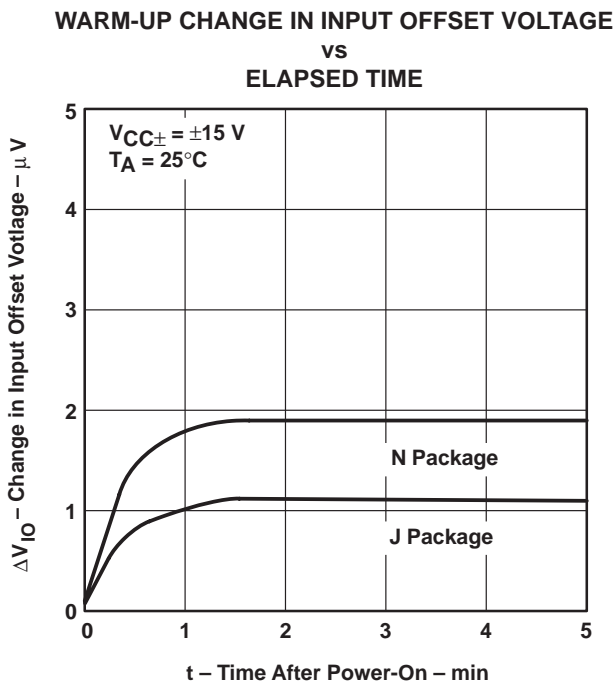


Figure 3

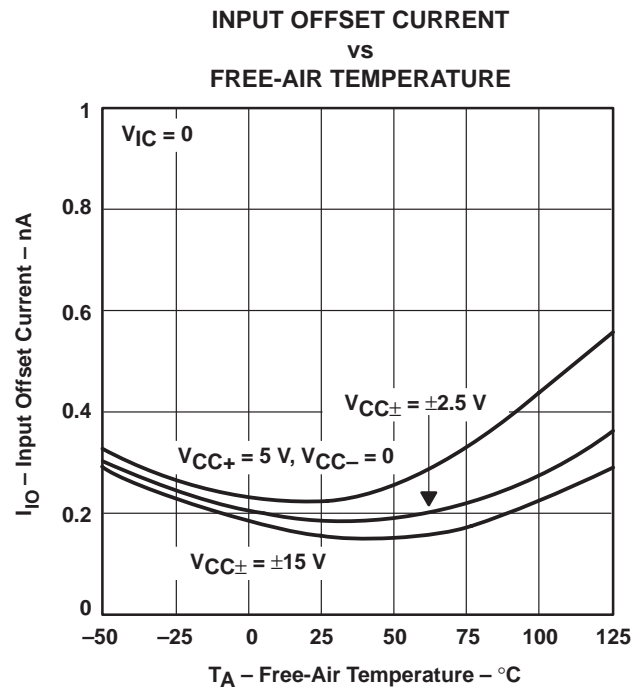
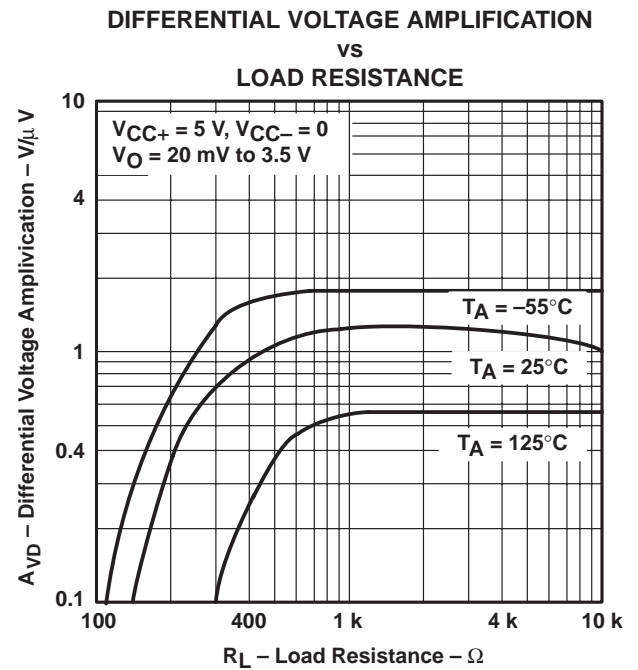
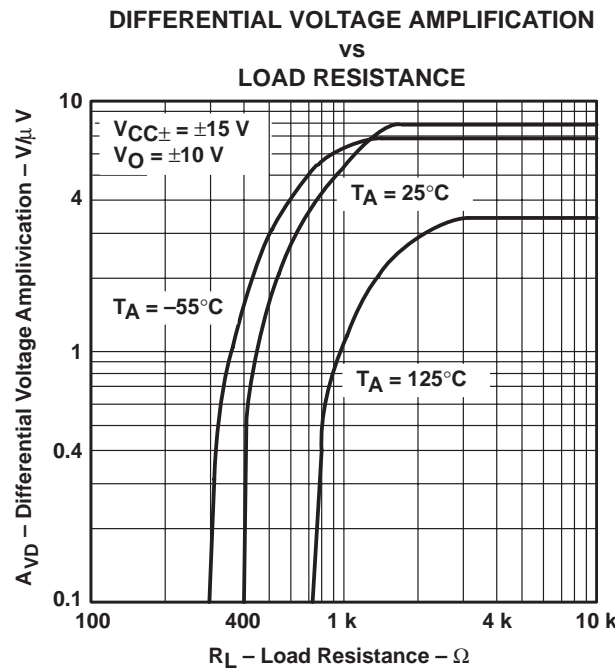
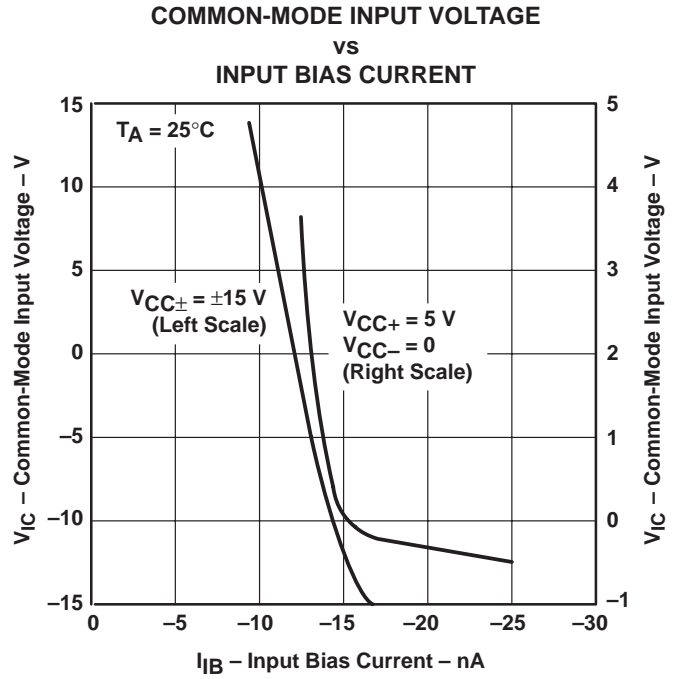
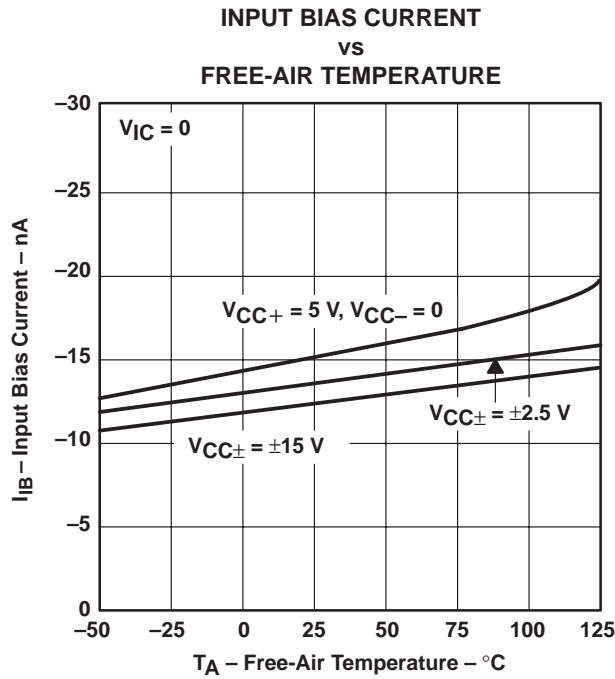


Figure 4

† Data at high and low temperatures are applicable only within the rated operating free-air temperature ranges of the various devices.

TYPICAL CHARACTERISTICS†



† Data at high and low temperatures are applicable only within the rated operating free-air temperature ranges of the various devices.

LT1014, LT1014A, LT1014D QUAD PRECISION OPERATIONAL AMPLIFIERS

SLOS039C – JULY 1989 – REVISED SEPTEMBER 1999

TYPICAL CHARACTERISTICS†

**DIFFERENTIAL VOLTAGE AMPLIFICATION
AND PHASE SHIFT
VS
FREQUENCY**

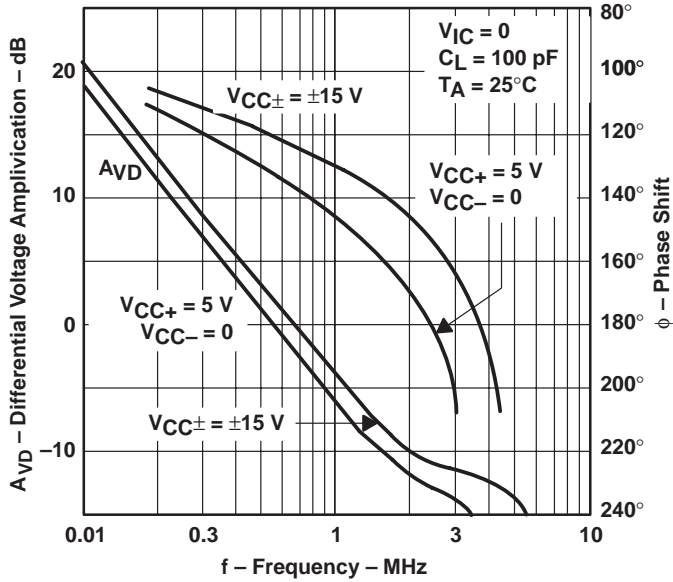


Figure 9

**DIFFERENTIAL VOLTAGE AMPLIFICATION
VS
FREQUENCY**

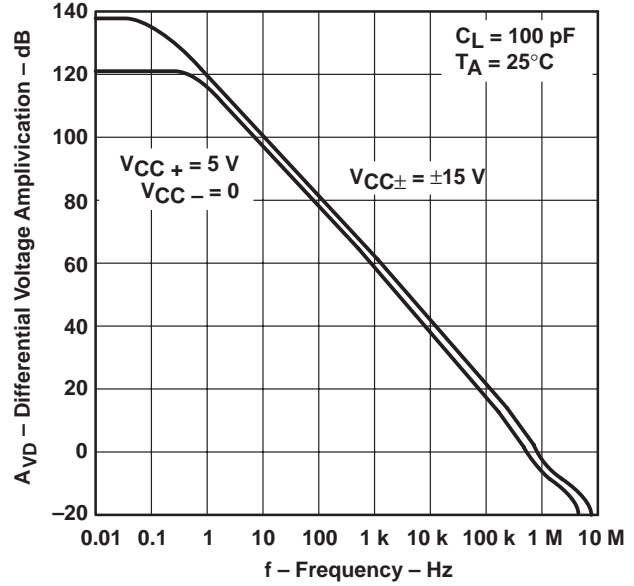


Figure 10

**CHANNEL SEPARATION
VS
FREQUENCY**

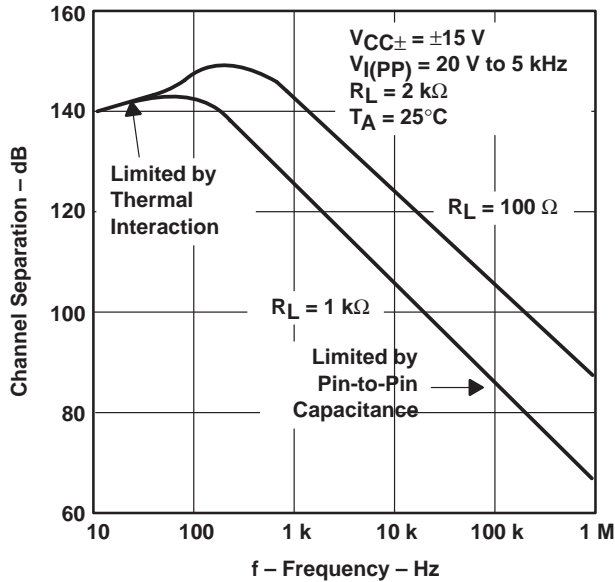


Figure 11

**OUTPUT SATURATION VOLTAGE
VS
FREE-AIR TEMPERATURE**

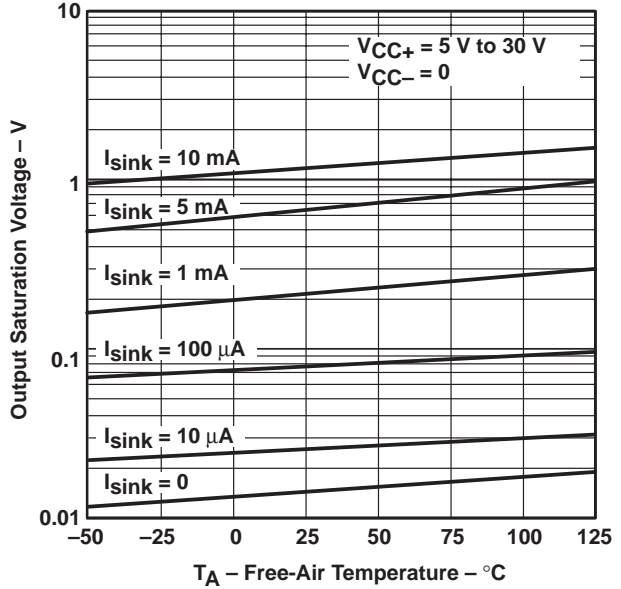
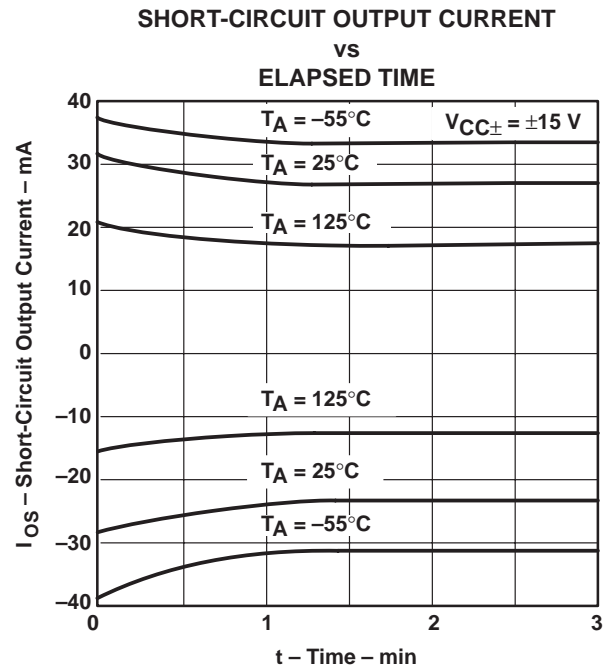
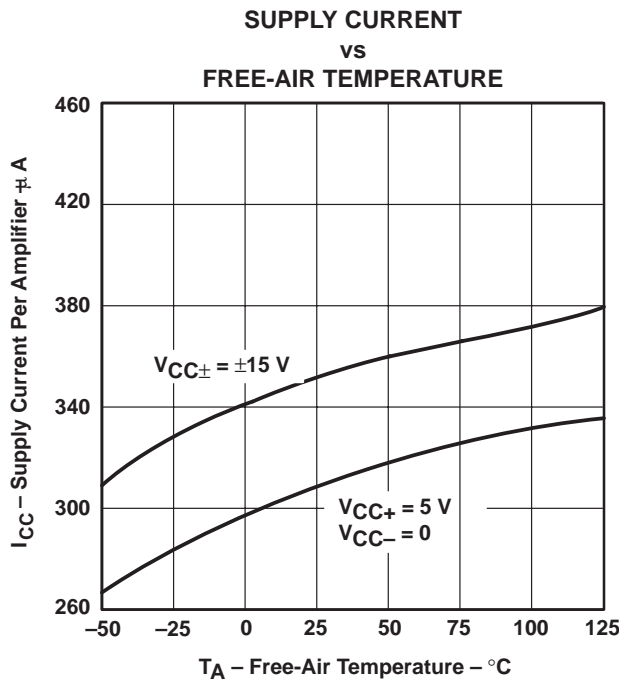
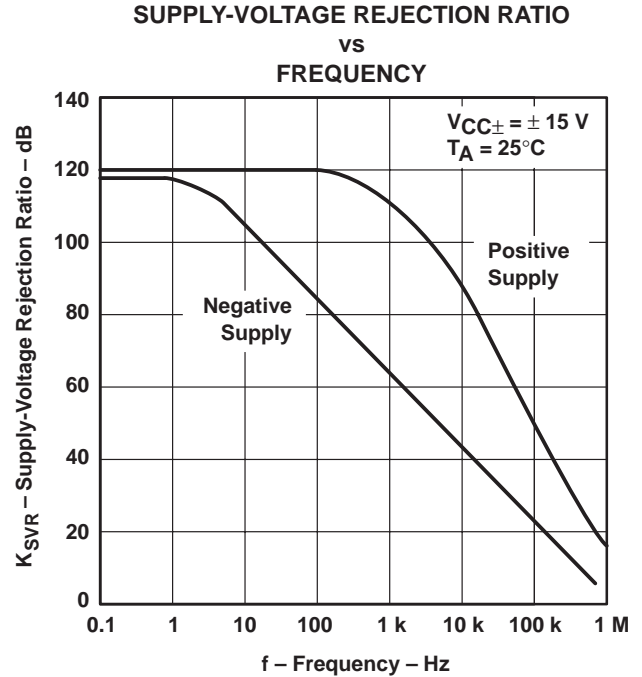
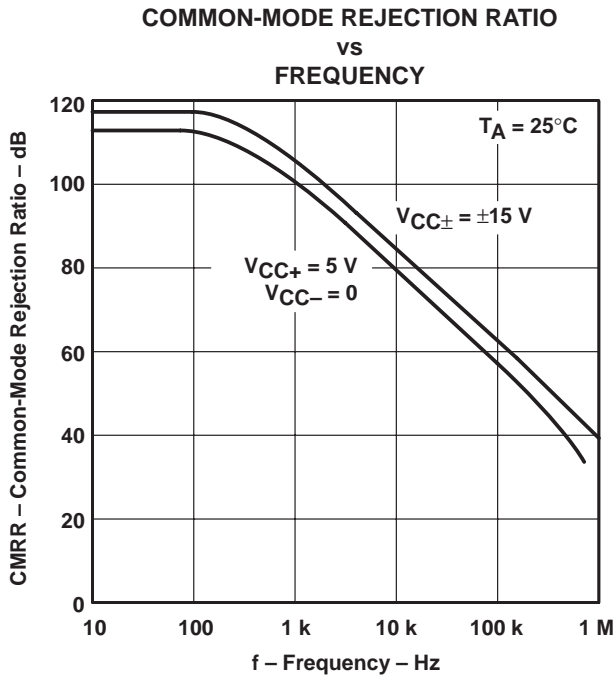


Figure 12

† Data at high and low temperatures are applicable only within the rated operating free-air temperature ranges of the various devices.



TYPICAL CHARACTERISTICS†



† Data at high and low temperatures are applicable only within the rated operating free-air temperature ranges of the various devices.

LT1014, LT1014A, LT1014D QUAD PRECISION OPERATIONAL AMPLIFIERS

SLOS039C – JULY 1989 – REVISED SEPTEMBER 1999

TYPICAL CHARACTERISTICS

**EQUIVALENT INPUT NOISE VOLTAGE
AND EQUIVALENT INPUT NOISE CURRENT
VS
FREQUENCY**

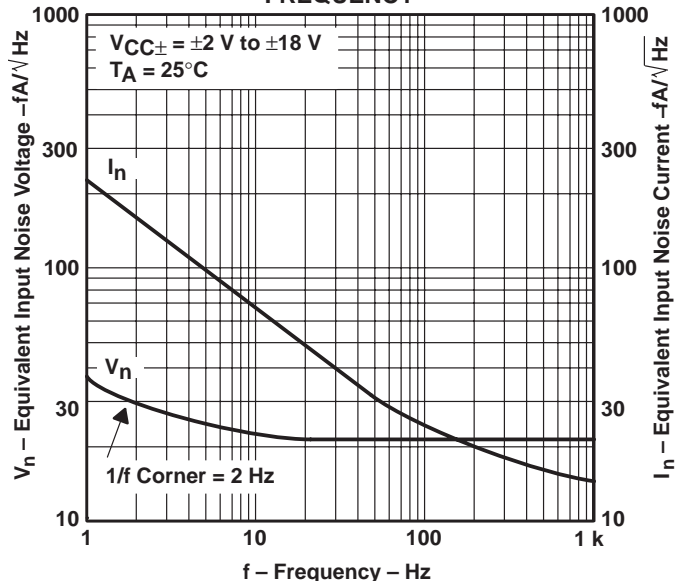


Figure 17

**PEAK-TO-PEAK INPUT NOISE VOLTAGE
OVER A 10-SECOND PERIOD
VS
TIME**

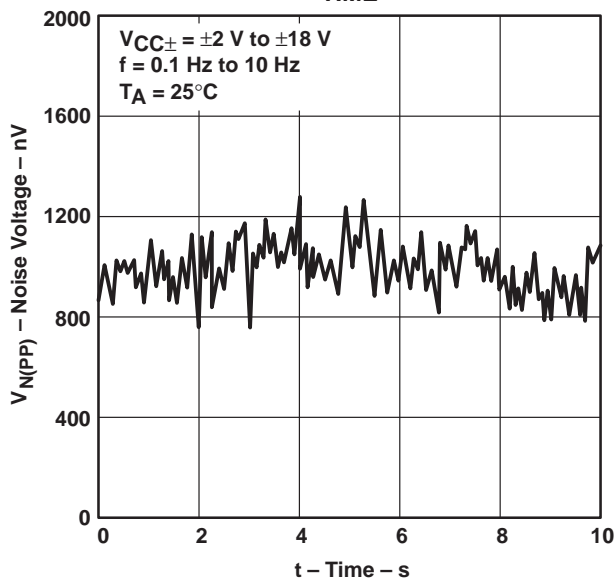


Figure 18

**VOLTAGE-FOLLOWER SMALL-SIGNAL
PULSE RESPONSE
VS
TIME**

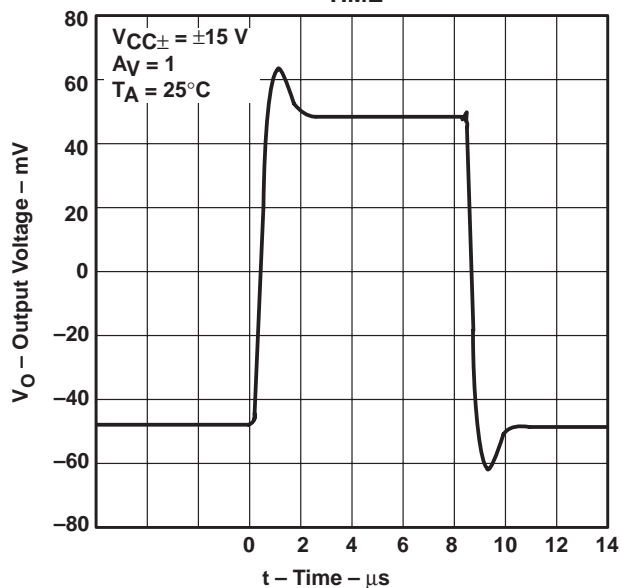


Figure 19

**VOLTAGE-FOLLOWER LARGE-SIGNAL
PULSE RESPONSE
VS
TIME**

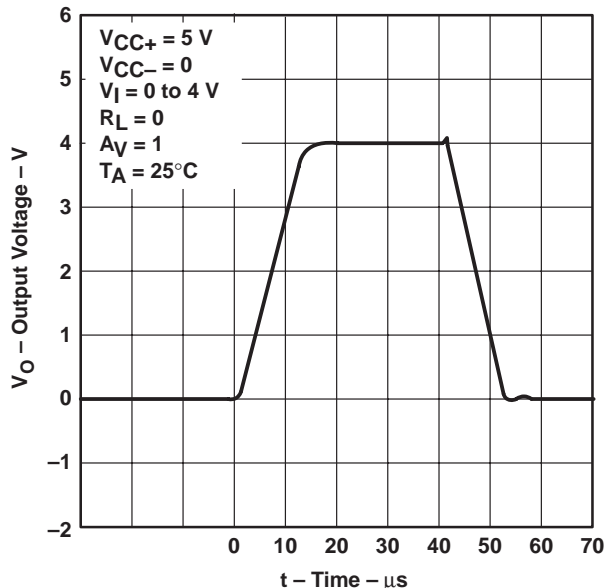


Figure 20



TYPICAL CHARACTERISTICS

VOLTAGE-FOLLOWER SMALL-SIGNAL
 PULSE RESPONSE
 vs
 TIME

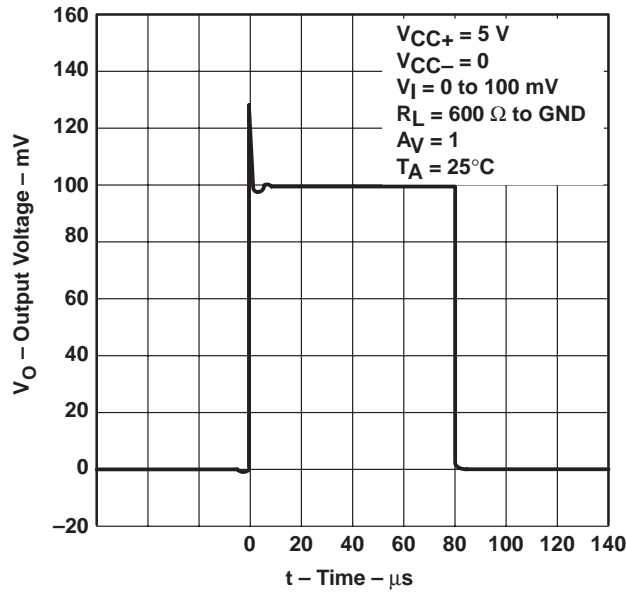


Figure 21

VOLTAGE-FOLLOWER LARGE-SIGNAL
 PULSE RESPONSE
 vs
 TIME

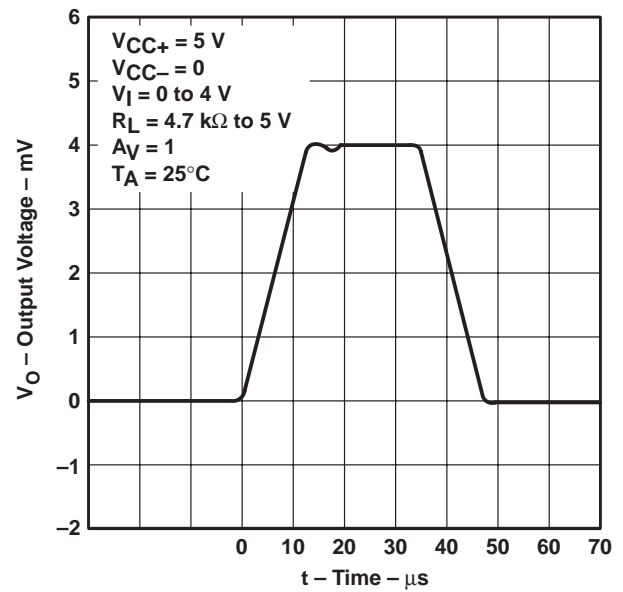


Figure 22

VOLTAGE-FOLLOWER LARGE-SIGNAL
 PULSE RESPONSE
 vs
 TIME

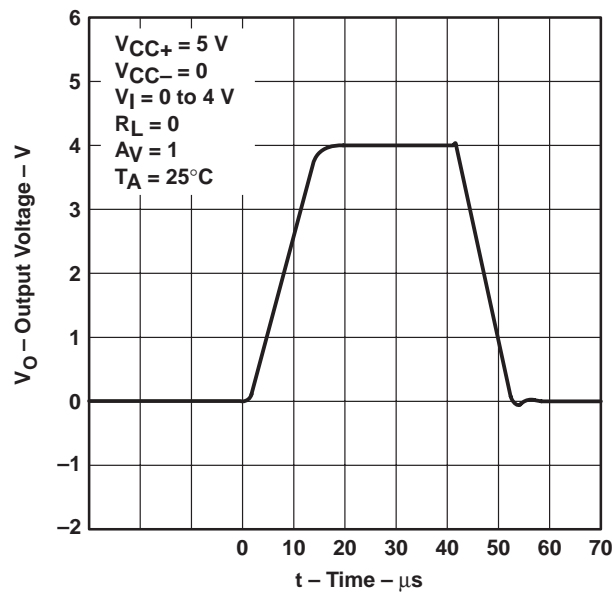


Figure 23

LT1014, LT1014A, LT1014D QUAD PRECISION OPERATIONAL AMPLIFIERS

SLOS039C – JULY 1989 – REVISED SEPTEMBER 1999

APPLICATION INFORMATION

single-supply operation

The LT1014 is fully specified for single-supply operation ($V_{CC-} = 0$). The common-mode input voltage range includes ground, and the output swings within a few millivolts of ground.

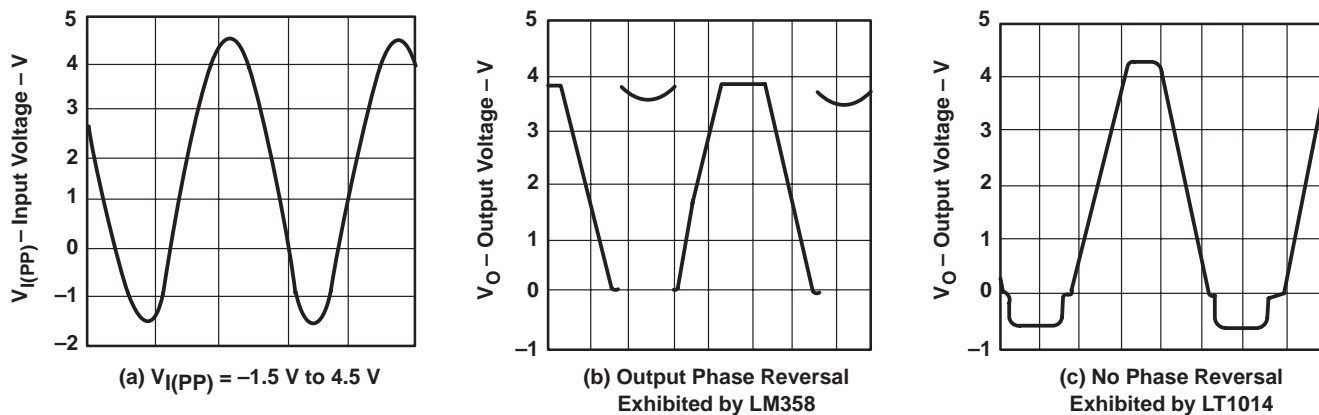
Furthermore, the LT1014 has specific circuitry that addresses the difficulties of single-supply operation, both at the input and at the output. At the input, the driving signal can fall below 0 V, either inadvertently or on a transient basis. If the input is more than a few hundred millivolts below ground, the LT1014 is designed to deal with the following two problems that can occur:

1. On many other operational amplifiers, when the input is more than a diode drop below ground, unlimited current flows from the substrate (V_{CC-} terminal) to the input, which can destroy the unit. On the LT1014, the 400- Ω resistors in series with the input (see schematic) protect the device even when the input is 5 V below ground.
2. When the input is more than 400 mV below ground (at $T_A = 25^\circ\text{C}$), the input stage of similar type operational amplifiers saturates, and phase reversal occurs at the output. This can cause lockup in servo systems. Because of unique phase-reversal protection circuitry (Q21, Q22, Q27, and Q28), the LT1014 outputs do not reverse, even when the inputs are at -1.5 V (see Figure 24).

However, this phase-reversal protection circuitry does not function when the other operational amplifier on the LT1014 is driven hard into negative saturation at the output. Phase-reversal protection does not work on an amplifier:

- When 4's output is in negative saturation (the outputs of 2 and 3 have no effect)
- When 3's output is in negative saturation (the outputs of 1 and 4 have no effect)
- When 2's output is in negative saturation (the outputs of 1 and 4 have no effect)
- When 1's output is in negative saturation (the outputs of 2 and 3 have no effect)

At the output, other single-supply designs either cannot swing to within 600 mV of ground or cannot sink more than a few microamperes while swinging to ground. The all-npn output stage of the LT1014 maintains its low output resistance and high gain characteristics until the output is saturated. In dual-supply operations, the output stage is free of crossover distortion.



**Figure 24. Voltage-Follower Response
With Input Exceeding the Negative Common-Mode Input Voltage Range**

APPLICATION INFORMATION

comparator applications

The single-supply operation of the LT1014 can be used as a precision comparator with TTL-compatible output. In systems using both operational amplifiers and comparators, the LT1014 can perform multiple duties (see Figures 25 and 26).

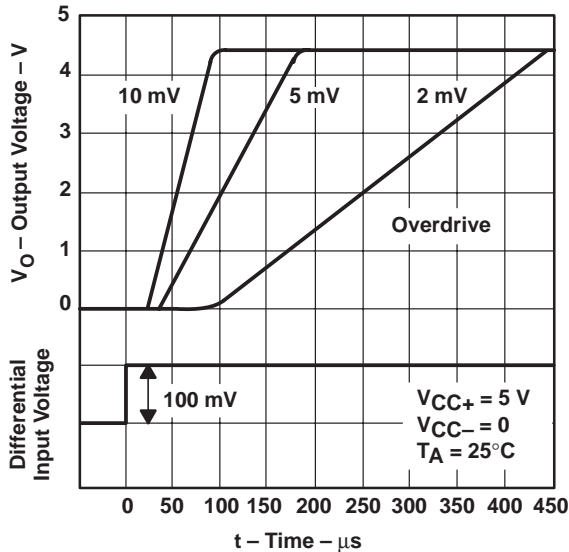


Figure 25. Low-to-High-Level Output Response for Various Input Overdrives

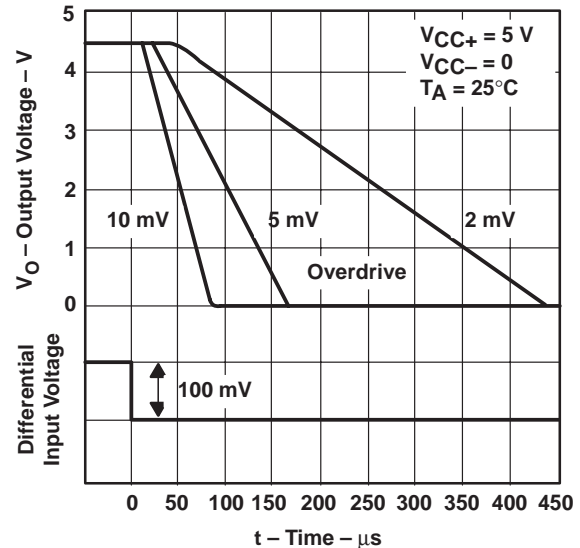


Figure 26. High-to-Low-Level Output Response for Various Input Overdrives

low-supply operation

The minimum supply voltage for proper operation of the LT1014 is 3.4 V (three Ni-Cad batteries). Typical supply current at this voltage is 290 μ A; therefore, power dissipation is only 1 mW per amplifier.

offset voltage and noise testing

Figure 30 shows the test circuit for measuring input offset voltage and its temperature coefficient. This circuit with supply voltages increased to ± 20 V is also used as the burn-in configuration.

The peak-to-peak equivalent input noise voltage of the LT1014 is measured using the test circuit shown in Figure 27. The frequency response of the noise tester indicates that the 0.1-Hz corner is defined by only one zero. The test time to measure 0.1-Hz to 10-Hz noise should not exceed 10 seconds, as this time limit acts as an additional zero to eliminate noise contribution from the frequency band below 0.1 Hz.

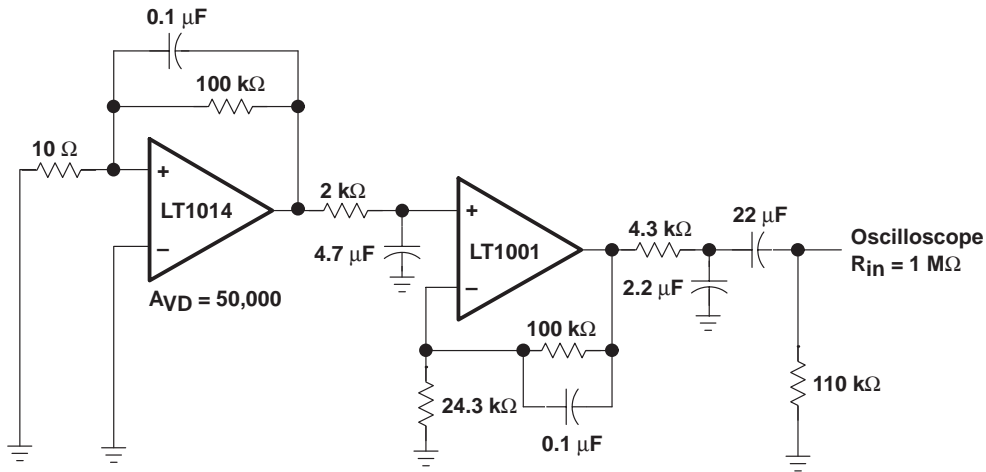
An input noise-voltage test is recommended when measuring the noise of a large number of units. A 10-Hz input noise-voltage measurement correlates well with a 0.1-Hz peak-to-peak noise reading because both results are determined by the white noise and the location of the 1/f corner frequency.

Noise current is measured by the circuit and formula shown in Figure 28. The noise of the source resistors is subtracted.

LT1014, LT1014A, LT1014D QUAD PRECISION OPERATIONAL AMPLIFIERS

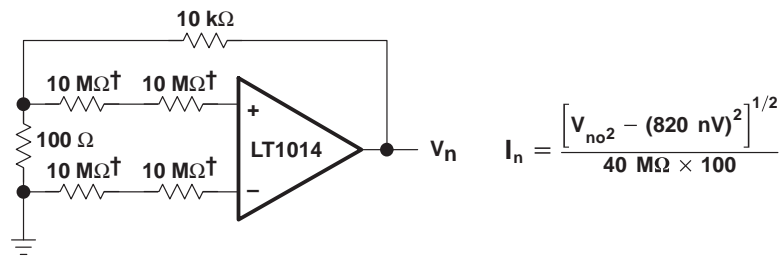
SLOS039C – JULY 1989 – REVISED SEPTEMBER 1999

APPLICATION INFORMATION



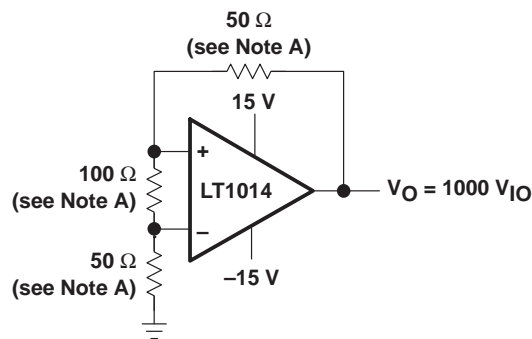
NOTE A: All capacitor values are for nonpolarized capacitors only.

Figure 27. 0.1-Hz to 10-Hz Peak-to-Peak Noise Test Circuit



† Metal-film resistor

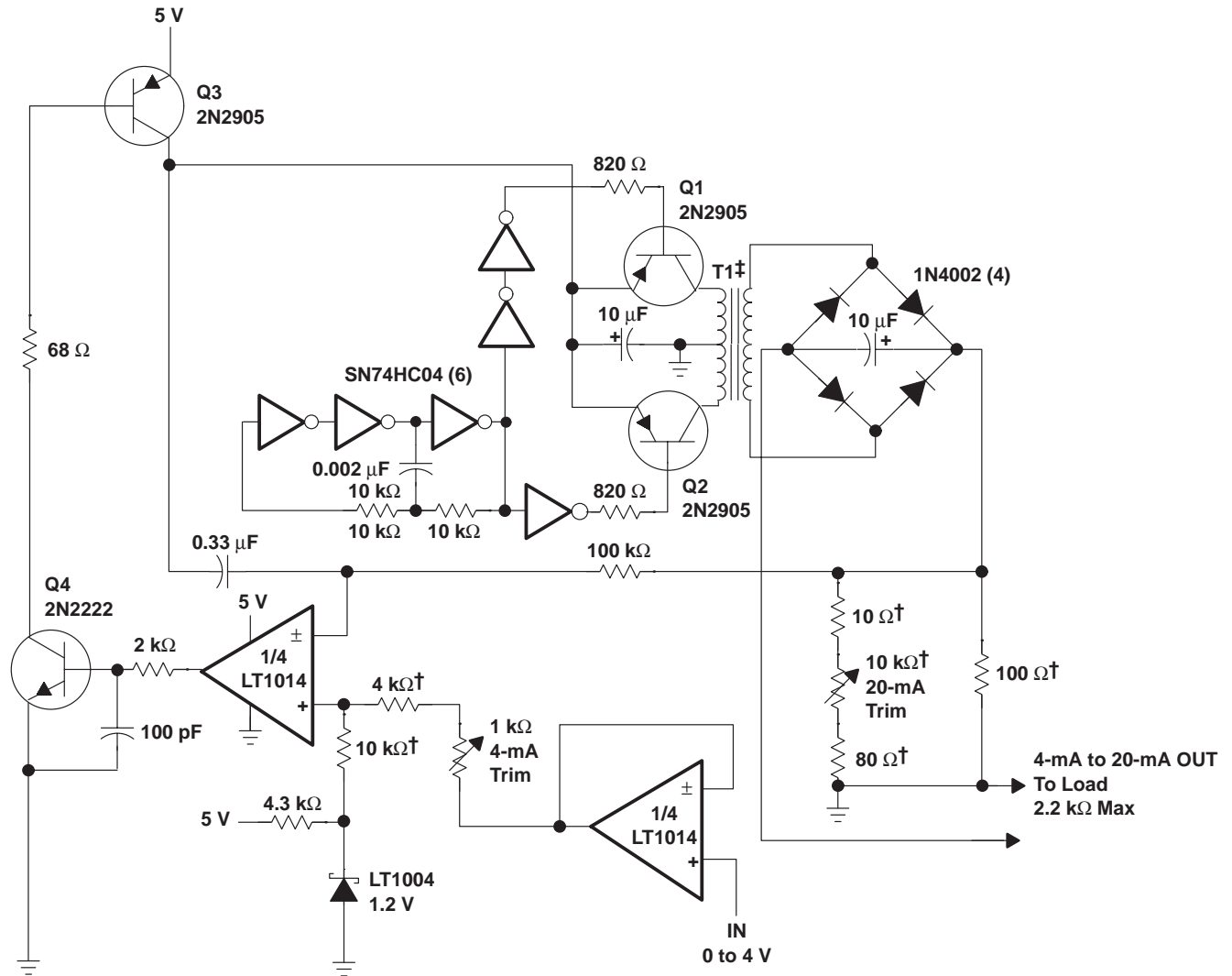
Figure 28. Noise-Current Test Circuit and Formula



NOTE A: Resistors must have low thermoelectric potential.

Figure 29. Test Circuit for V_{IO} and αV_{IO}

APPLICATION INFORMATION



† 1% film resistor. Match 10-kΩ resistors 0.05%.
 ‡ T1 = PICO-31080

Figure 30. 5-V Powered, 4-mA to 20-mA Current-Loop Transmitter With 12-Bit Accuracy

LT1014, LT1014A, LT1014D QUAD PRECISION OPERATIONAL AMPLIFIERS

SLOS039C – JULY 1989 – REVISED SEPTEMBER 1999

APPLICATION INFORMATION

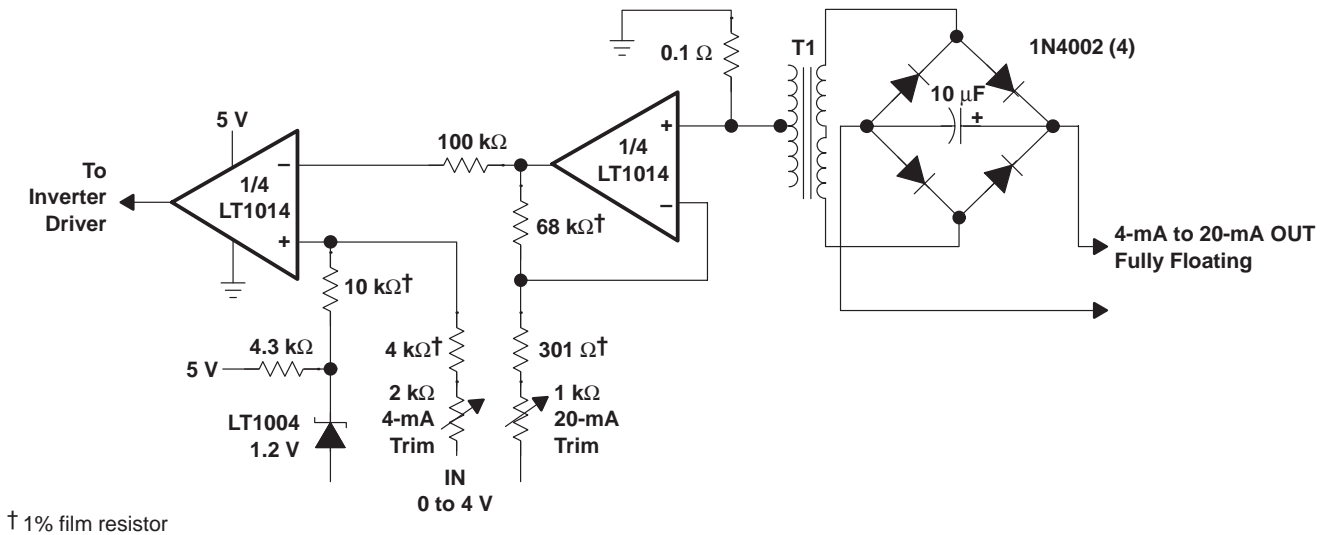
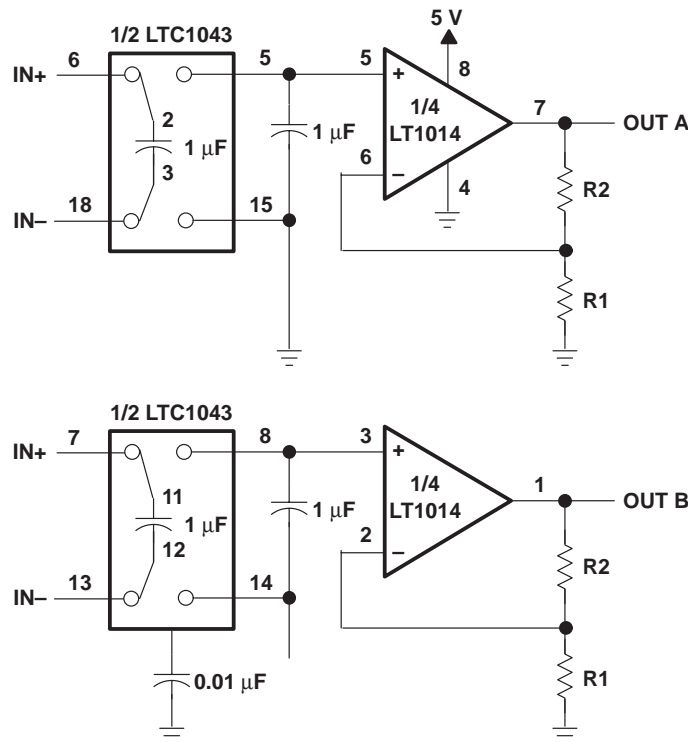


Figure 31. Fully Floating Modification to 4-mA to 20-mA Current-Loop Transmitter With 8-Bit Accuracy



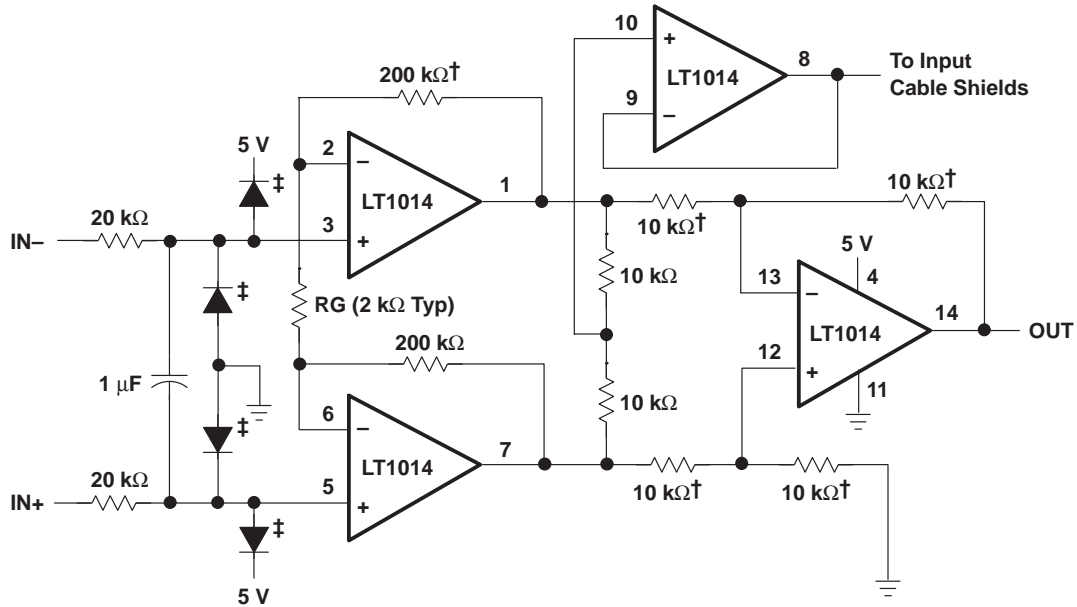
NOTE A: $V_{IO} = 150 \mu\text{V}$, $A_{VD} = (R1/R2) + 1$, $CMRR = 120 \text{ dB}$, $V_{ICR} = 0 \text{ to } 5 \text{ V}$

Figure 32. 5-V Single-Supply Dual Instrumentation Amplifier



POST OFFICE BOX 655303 • DALLAS, TEXAS 75265

APPLICATION INFORMATION



†† 1% film resistor. Match 10-kΩ resistors 0.05%.

‡ For high source impedances, use 2N2222 as diodes (with collector connected to base).

NOTE A: $A_{VD} = (400,000/R_G) + 1$

Figure 33. 5-V Powered Precision Instrumentation Amplifier

IMPORTANT NOTICE

Texas Instruments and its subsidiaries (TI) reserve the right to make changes to their products or to discontinue any product or service without notice, and advise customers to obtain the latest version of relevant information to verify, before placing orders, that information being relied on is current and complete. All products are sold subject to the terms and conditions of sale supplied at the time of order acknowledgement, including those pertaining to warranty, patent infringement, and limitation of liability.

TI warrants performance of its semiconductor products to the specifications applicable at the time of sale in accordance with TI's standard warranty. Testing and other quality control techniques are utilized to the extent TI deems necessary to support this warranty. Specific testing of all parameters of each device is not necessarily performed, except those mandated by government requirements.

CERTAIN APPLICATIONS USING SEMICONDUCTOR PRODUCTS MAY INVOLVE POTENTIAL RISKS OF DEATH, PERSONAL INJURY, OR SEVERE PROPERTY OR ENVIRONMENTAL DAMAGE ("CRITICAL APPLICATIONS"). TI SEMICONDUCTOR PRODUCTS ARE NOT DESIGNED, AUTHORIZED, OR WARRANTED TO BE SUITABLE FOR USE IN LIFE-SUPPORT DEVICES OR SYSTEMS OR OTHER CRITICAL APPLICATIONS. INCLUSION OF TI PRODUCTS IN SUCH APPLICATIONS IS UNDERSTOOD TO BE FULLY AT THE CUSTOMER'S RISK.

In order to minimize risks associated with the customer's applications, adequate design and operating safeguards must be provided by the customer to minimize inherent or procedural hazards.

TI assumes no liability for applications assistance or customer product design. TI does not warrant or represent that any license, either express or implied, is granted under any patent right, copyright, mask work right, or other intellectual property right of TI covering or relating to any combination, machine, or process in which such semiconductor products or services might be or are used. TI's publication of information regarding any third party's products or services does not constitute TI's approval, warranty or endorsement thereof.