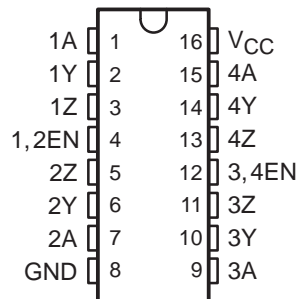


# MC3487 QUADRUPLE DIFFERENTIAL LINE DRIVER

SLLS098C – MAY 1980 – REVISED FEBRUARY 2004

- Meets or Exceeds Requirements of ANSI TIA/EIA-422-B and ITU Recommendation V.11
- 3-State, TTL-Compatible Outputs
- Fast Transition Times
- High-Impedance Inputs
- Single 5-V Supply
- Power-Up and Power-Down Protection

D, N, OR NS PACKAGE  
(TOP VIEW)



## description/ordering information

The MC3487 offers four independent differential line drivers designed to meet the specifications of ANSI TIA/EIA-422-B and ITU Recommendation V.11. Each driver has a TTL-compatible input buffered to reduce current and minimize loading.

The driver outputs utilize 3-state circuitry to provide high-impedance states at any pair of differential outputs when the appropriate output enable is at a low logic level. Internal circuitry is provided to ensure the high-impedance state at the differential outputs during power-up and power-down transition times, provided the output enable is low.

The MC3487 is designed for optimum performance when used with the MC3486 quadruple line receiver. It is supplied in a 16-pin dual-in-line package and operates from a single 5-V supply.

## ORDERING INFORMATION

| TA          | PACKAGE† |               | ORDERABLE PART NUMBER | TOP-SIDE MARKING |
|-------------|----------|---------------|-----------------------|------------------|
| 0°C to 70°C | PDIP – N | Tube          | MC3487N               | MC3487N          |
|             | SOIC – D | Tube          | MC3487D               | MC3487           |
|             |          | Tape and reel | MC3487DR              |                  |
|             | SOP – NS | Tape and reel | MC3487NSR             | MC3487           |

† Package drawings, standard packing quantities, thermal data, symbolization, and PCB design guidelines are available at [www.ti.com/sc/package](http://www.ti.com/sc/package).

FUNCTION TABLE  
(each driver)

| INPUT | OUTPUT ENABLE | OUTPUTS |   |
|-------|---------------|---------|---|
|       |               | Y       | Z |
| H     | H             | H       | L |
| L     | H             | L       | H |
| X     | L             | Z       | Z |

H = TTL high level, L = TTL low level,  
X = irrelevant, Z = High impedance



Please be aware that an important notice concerning availability, standard warranty, and use in critical applications of Texas Instruments semiconductor products and disclaimers thereto appears at the end of this data sheet.

PRODUCTION DATA information is current as of publication date. Products conform to specifications per the terms of Texas Instruments standard warranty. Production processing does not necessarily include testing of all parameters.

 **TEXAS  
INSTRUMENTS**

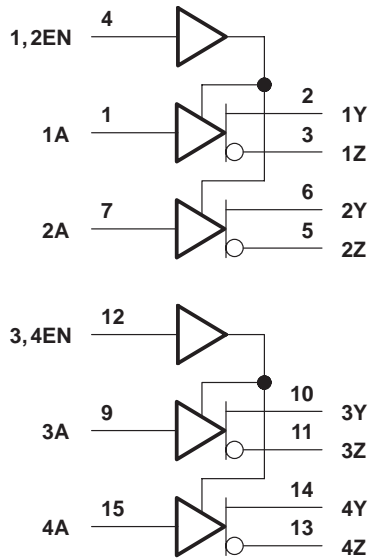
POST OFFICE BOX 655303 • DALLAS, TEXAS 75265

Copyright © 2004, Texas Instruments Incorporated

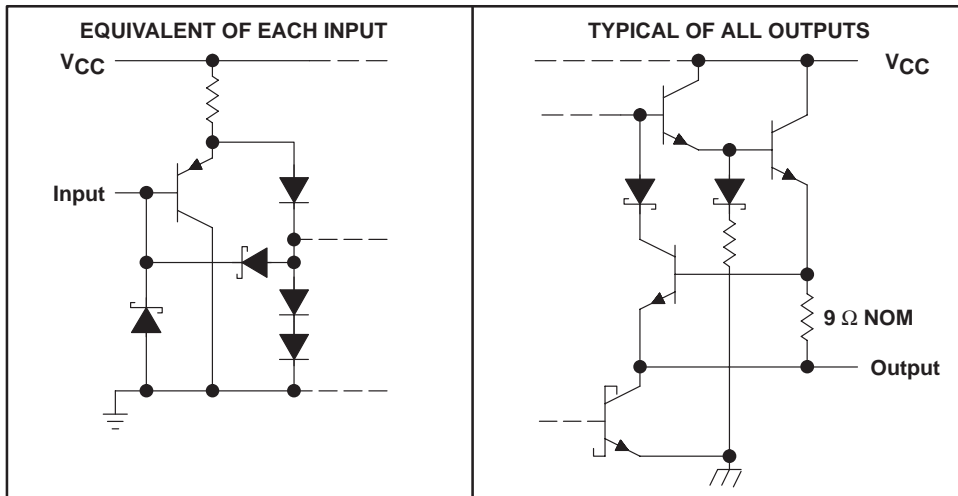
# MC3487 QUADRUPLE DIFFERENTIAL LINE DRIVER

SLLS098C – MAY 1980 – REVISED FEBRUARY 2004

## logic diagram (positive logic)



## schematics of inputs and outputs



# MC3487 QUADRUPLE DIFFERENTIAL LINE DRIVER

SLLS098C – MAY 1980 – REVISED FEBRUARY 2004

## absolute maximum ratings over operating free-air temperature range (unless otherwise noted)†

|   |                |
|---|----------------|
| Supply voltage, $V_{CC}$ (see Note 1) .....                                   | 8 V            |
| Input voltage, $V_I$ .....  | 5.5 V          |
| Output voltage, $V_O$ .....   | 7 V            |
| Package thermal impedance, $\theta_{JA}$ (see Notes 2 and 3): D package ..... | 73°C/W         |
| N package .....   | 67°C/W         |
| NS package .....  | 64°C/W         |
| Operating virtual junction temperature, $T_J$ .....                           | 150°C          |
| Storage temperature range, $T_{Stg}$ .....                                    | –65°C to 150°C |

† Stresses beyond those listed under “absolute maximum ratings” may cause permanent damage to the device. These are stress ratings only, and functional operation of the device at these or any other conditions beyond those indicated under “recommended operating conditions” is not implied. Exposure to absolute-maximum-rated conditions for extended periods may affect device reliability.

- NOTES: 1. All voltage values, except differential output voltage,  $V_{OD}$ , are with respect to the network ground terminal.  
 2. Maximum power dissipation is a function of  $T_J(\max)$ ,  $\theta_{JA}$ , and  $T_A$ . The maximum allowable power dissipation at any allowable ambient temperature is  $P_D = (T_J(\max) - T_A)/\theta_{JA}$ . Operating at the absolute maximum  $T_J$  of 150°C can affect reliability.  
 3. The package thermal impedance is calculated in accordance with JESD 51-7.

## recommended operating conditions

|                                      | MIN  | NOM | MAX  | UNIT |
|--------------------------------------|------|-----|------|------|
| $V_{CC}$ Supply voltage              | 4.75 | 5   | 5.25 | V    |
| $V_{IH}$ High-level input voltage    | 2    |     |      | V    |
| $V_{IL}$ Low-level input voltage     |      |     | 0.8  | V    |
| $T_A$ Operating free-air temperature | 0    |     | 70   | °C   |



# MC3487

## QUADRUPLE DIFFERENTIAL LINE DRIVER

SLLS098C – MAY 1980 – REVISED FEBRUARY 2004

electrical characteristics over recommended ranges of supply voltage and operating free-air temperature (unless otherwise noted)

| PARAMETER        |   | TEST CONDITIONS                   |                          |                           | MIN  | MAX       | UNIT          |
|------------------|---|-----------------------------------|--------------------------|---------------------------|------|-----------|---------------|
| $V_{IK}$         | Input clamp voltage                                 | $I_I = -18 \text{ mA}$            |                          |                           |      | -1.5      | V             |
| $V_{OH}$         | High-level output voltage                           | $V_{IL} = 0.8 \text{ V}$ ,        | $V_{IH} = 2 \text{ V}$ , | $I_{OH} = -20 \text{ mA}$ | 2.5  |           | V             |
| $V_{OL}$         | Low-level output voltage                            | $V_{IL} = 0.8 \text{ V}$ ,        | $V_{IH} = 2 \text{ V}$ , | $I_{OL} = 48 \text{ mA}$  |      | 0.5       | V             |
| $ V_{OD} $       | Differential output voltage                         | $R_L = 100 \Omega$ ,              | See Figure 1             |                           | 2    |           |               |
| $\Delta V_{OD} $ | Change in magnitude of differential output voltage† | $R_L = 100 \Omega$ ,              | See Figure 1             |                           |      | $\pm 0.4$ | V             |
| $V_{OC}$         | Common-mode output voltage‡                         | $R_L = 100 \Omega$ ,              | See Figure 1             |                           |      | 3         | V             |
| $\Delta V_{OC} $ | Change in magnitude of common-mode output voltage‡  | $R_L = 100 \Omega$ ,              | See Figure 1             |                           |      | $\pm 0.4$ | V             |
| $I_O$            | Output current with power off                       | $V_{CC} = 0$                      | $V_O = 6 \text{ V}$      |                           | 100  |           | $\mu\text{A}$ |
|                  |   |                                   | $V_O = -0.25 \text{ V}$  |                           | -100 |           |               |
| $I_{OZ}$         | High-impedance-state output current                 | Output enables at $0.8 \text{ V}$ | $V_O = 2.7 \text{ V}$    |                           | 100  |           | $\mu\text{A}$ |
|                  |   |                                   | $V_O = 0.5 \text{ V}$    |                           | -100 |           |               |
| $I_I$            | Input current at maximum input voltage              | $V_I = 5.5 \text{ V}$             |                          |                           |      | 100       | $\mu\text{A}$ |
| $I_{IH}$         | High-level input current                            | $V_I = 2.7 \text{ V}$             |                          |                           |      | 50        | $\mu\text{A}$ |
| $I_{IL}$         | Low-level input current                             | $V_I = 0.5 \text{ V}$             |                          |                           |      | -400      | $\mu\text{A}$ |
| $I_{OS}$         | Short-circuit output current§                       | $V_I = 2 \text{ V}$               |                          |                           | -40  | -140      | mA            |
| $I_{CC}$         | Supply current (all drivers)                        | Outputs disabled                  |                          |                           |      | 105       | mA            |
|                  |   | Outputs enabled, No load          |                          |                           |      | 85        |               |

†  $\Delta|V_{OD}|$  and  $\Delta|V_{OC}|$  are the changes in magnitude of  $V_{OD}$  and  $V_{OC}$ , respectively, that occur when the input is changed from a high level to a low level.

‡ In ANSI Standard TIA/EIA-422-B,  $V_{OC}$ , which is the average of the two output voltages with respect to ground, is called output offset voltage,  $V_{OS}$ .

§ Only one output at a time should be shorted, and duration of the short circuit should not exceed one second.

switching characteristics over recommended operating free-air temperature range,  $V_{CC} = 5 \text{ V}$

| PARAMETER |   | TEST CONDITIONS         |              | MIN | MAX | UNIT |
|-----------|---|-------------------------|--------------|-----|-----|------|
| $t_{PLH}$ | Propagation delay time, low- to high-level output | $C_L = 15 \text{ pF}$ , | See Figure 2 |     | 20  | ns   |
| $t_{PHL}$ | Propagation delay time, high- to low-level output |                         |              |     | 20  |      |
| $t_{sk}$  | Skew time   | $C_L = 15 \text{ pF}$ , | See Figure 2 |     | 6   | ns   |
| $t_t(OD)$ | Differential-output transition time               | $C_L = 15 \text{ pF}$ , | See Figure 3 |     | 20  | ns   |
| $t_{PZH}$ | Output enable time to high level                  | $C_L = 50 \text{ pF}$ , | See Figure 4 |     | 30  | ns   |
| $t_{PZL}$ | Output enable time to low level                   |                         |              |     | 30  |      |
| $t_{PHZ}$ | Output disable time from high level               | $C_L = 50 \text{ pF}$ , | See Figure 4 |     | 25  | ns   |
| $t_{PLZ}$ | Output disable time from low level                |                         |              |     | 30  |      |



PARAMETER MEASUREMENT INFORMATION

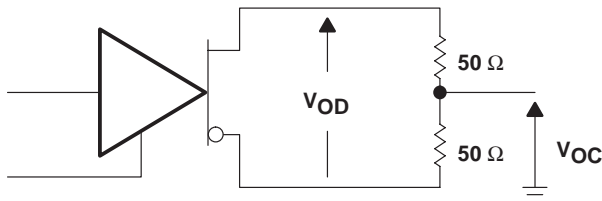
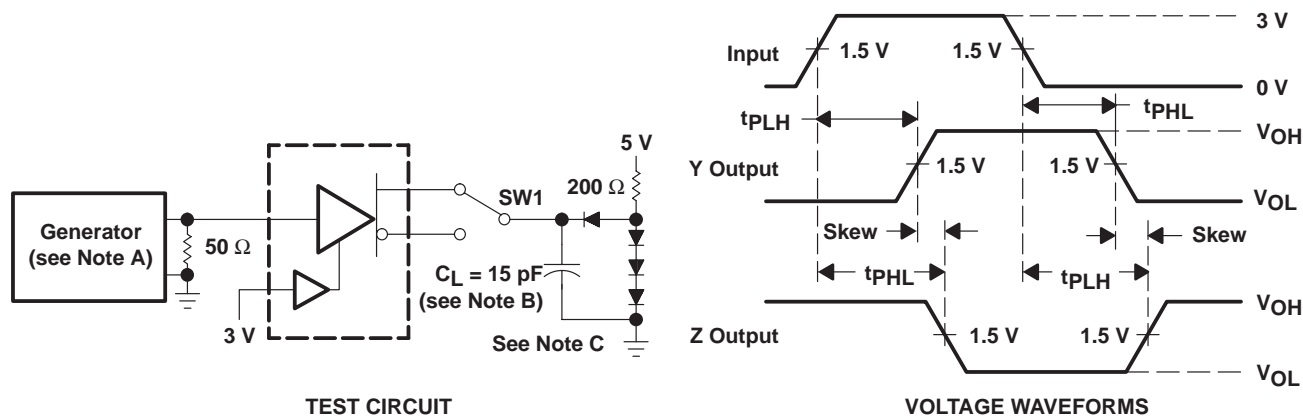
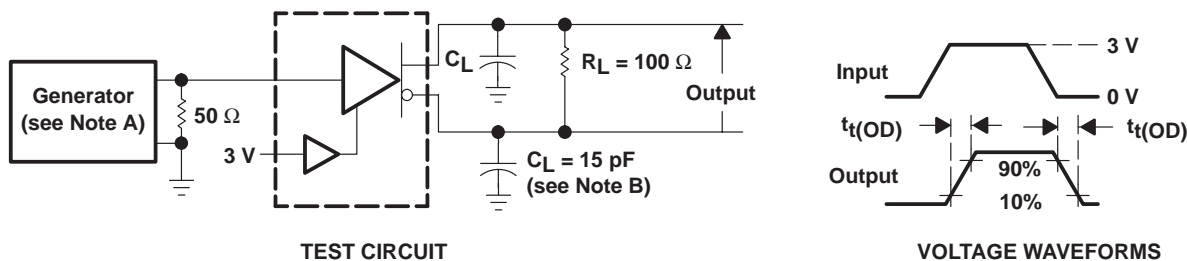


Figure 1. Differential and Common-Mode Output Voltages



- NOTES: A. The input pulse is supplied by a generator having the following characteristics:  $t_r \leq 5$  ns,  $t_f \leq 5$  ns, PRR  $\leq 1$  MHz, duty cycle = 50%,  $Z_O = 50 \Omega$ .  
 B.  $C_L$  includes probe and stray capacitance.  
 C. All diodes are 1N916 or 1N3064.

Figure 2. Test Circuit and Voltage Waveforms



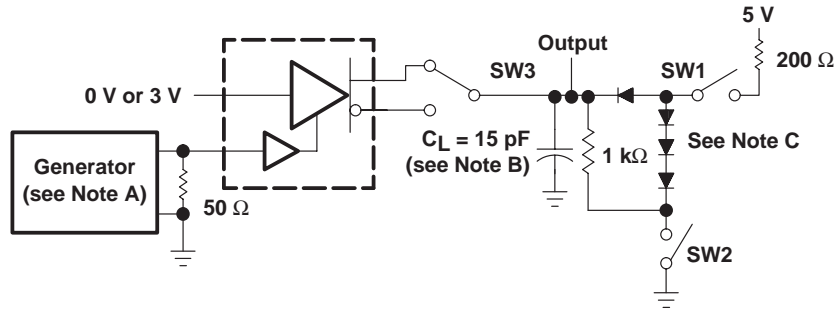
- NOTES: A. The input pulse is supplied by a generator having the following characteristics:  $t_r \leq 5$  ns,  $t_f \leq 5$  ns, PRR  $\leq 1$  MHz, duty cycle = 50%,  $Z_O = 50 \Omega$ .  
 B.  $C_L$  includes probe and stray capacitance.

Figure 3. Test Circuit and Voltage Waveforms

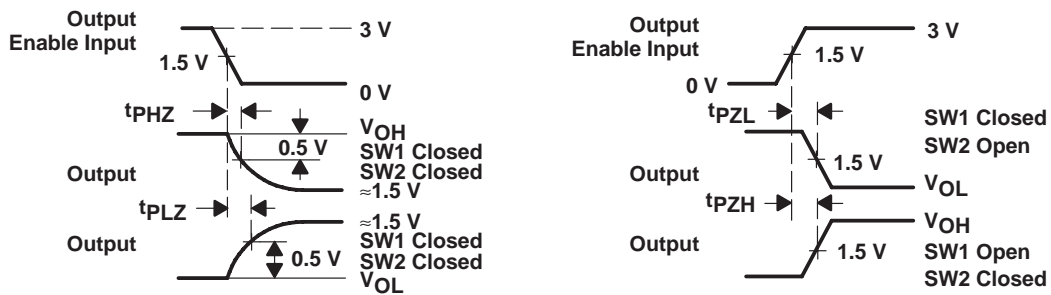
# MC3487 QUADRUPLE DIFFERENTIAL LINE DRIVER

SLLS098C – MAY 1980 – REVISED FEBRUARY 2004

## PARAMETER MEASUREMENT INFORMATION



TEST CIRCUIT



VOLTAGE WAVEFORMS

- NOTES: A. The input pulse is supplied by a generator having the following characteristics:  $t_r \leq 5$  ns,  $t_f \leq 5$  ns,  $PRR \leq 1$  MHz, duty cycle = 50%,  $Z_O = 50$  Ω.  
 B.  $C_L$  includes probe and stray capacitance.  
 C. All diodes are 1N916 or 1N3064.

Figure 4. Driver Test Circuit and Voltage Waveforms

**PACKAGING INFORMATION**

| Orderable Device | Status <sup>(1)</sup> | Package Type | Package Drawing | Pins | Package Qty | Eco Plan <sup>(2)</sup> | Lead/Ball Finish | MSL Peak Temp <sup>(3)</sup>               |
|------------------|-----------------------|--------------|-----------------|------|-------------|-------------------------|------------------|--|
| MC3487D          | ACTIVE                | SOIC         | D               | 16   | 40          | Pb-Free (RoHS)          | CU NIPDAU        | Level-2-250C-1 YEAR                        |
| MC3487DR         | ACTIVE                | SOIC         | D               | 16   | 2500        | Pb-Free (RoHS)          | CU NIPDAU        | Level-2-250C-1 YEAR                        |
| MC3487J          | OBSOLETE              | CDIP         | J               | 16   |             | None                    | Call TI          | Call TI                                    |
| MC3487N          | ACTIVE                | PDIP         | N               | 16   | 25          | Pb-Free (RoHS)          | CU NIPDAU        | Level-NC-NC-NC                             |
| MC3487NSR        | ACTIVE                | SO           | NS              | 16   | 2000        | Pb-Free (RoHS)          | CU NIPDAU        | Level-2-260C-1 YEAR/<br>Level-1-235C-UNLIM |

<sup>(1)</sup> The marketing status values are defined as follows:

**ACTIVE:** Product device recommended for new designs.

**LIFEBUY:** TI has announced that the device will be discontinued, and a lifetime-buy period is in effect.

**NRND:** Not recommended for new designs. Device is in production to support existing customers, but TI does not recommend using this part in a new design.

**PREVIEW:** Device has been announced but is not in production. Samples may or may not be available.

**OBSOLETE:** TI has discontinued the production of the device.

<sup>(2)</sup> Eco Plan - May not be currently available - please check <http://www.ti.com/productcontent> for the latest availability information and additional product content details.

**None:** Not yet available Lead (Pb-Free).

**Pb-Free (RoHS):** TI's terms "Lead-Free" or "Pb-Free" mean semiconductor products that are compatible with the current RoHS requirements for all 6 substances, including the requirement that lead not exceed 0.1% by weight in homogeneous materials. Where designed to be soldered at high temperatures, TI Pb-Free products are suitable for use in specified lead-free processes.

**Green (RoHS & no Sb/Br):** TI defines "Green" to mean "Pb-Free" and in addition, uses package materials that do not contain halogens, including bromine (Br) or antimony (Sb) above 0.1% of total product weight.

<sup>(3)</sup> MSL, Peak Temp. -- The Moisture Sensitivity Level rating according to the JEDEC industry standard classifications, and peak solder temperature.

**Important Information and Disclaimer:** The information provided on this page represents TI's knowledge and belief as of the date that it is provided. TI bases its knowledge and belief on information provided by third parties, and makes no representation or warranty as to the accuracy of such information. Efforts are underway to better integrate information from third parties. TI has taken and continues to take reasonable steps to provide representative and accurate information but may not have conducted destructive testing or chemical analysis on incoming materials and chemicals. TI and TI suppliers consider certain information to be proprietary, and thus CAS numbers and other limited information may not be available for release.

In no event shall TI's liability arising out of such information exceed the total purchase price of the TI part(s) at issue in this document sold by TI to Customer on an annual basis.

# J (R-GDIP-T\*\*)

14 LEADS SHOWN

# CERAMIC DUAL IN-LINE PACKAGE



| DIM \ PINS ** | 14                     | 16                     | 18                     | 20                     |
|---------------|------------------------|------------------------|------------------------|------------------------|
| A             | 0.300<br>(7,62)<br>BSC | 0.300<br>(7,62)<br>BSC | 0.300<br>(7,62)<br>BSC | 0.300<br>(7,62)<br>BSC |
| B MAX         | 0.785<br>(19,94)       | .840<br>(21,34)        | 0.960<br>(24,38)       | 1.060<br>(26,92)       |
| B MIN         | —                      | —                      | —                      | —                      |
| C MAX         | 0.300<br>(7,62)        | 0.300<br>(7,62)        | 0.310<br>(7,87)        | 0.300<br>(7,62)        |
| C MIN         | 0.245<br>(6,22)        | 0.245<br>(6,22)        | 0.220<br>(5,59)        | 0.245<br>(6,22)        |



4040083/F 03/03

- NOTES:
- All linear dimensions are in inches (millimeters).
  - This drawing is subject to change without notice.
  - This package is hermetically sealed with a ceramic lid using glass frit.
  - Index point is provided on cap for terminal identification only on press ceramic glass frit seal only.
  - Falls within MIL STD 1835 GDIP1-T14, GDIP1-T16, GDIP1-T18 and GDIP1-T20.

N (R-PDIP-T\*\*)

PLASTIC DUAL-IN-LINE PACKAGE

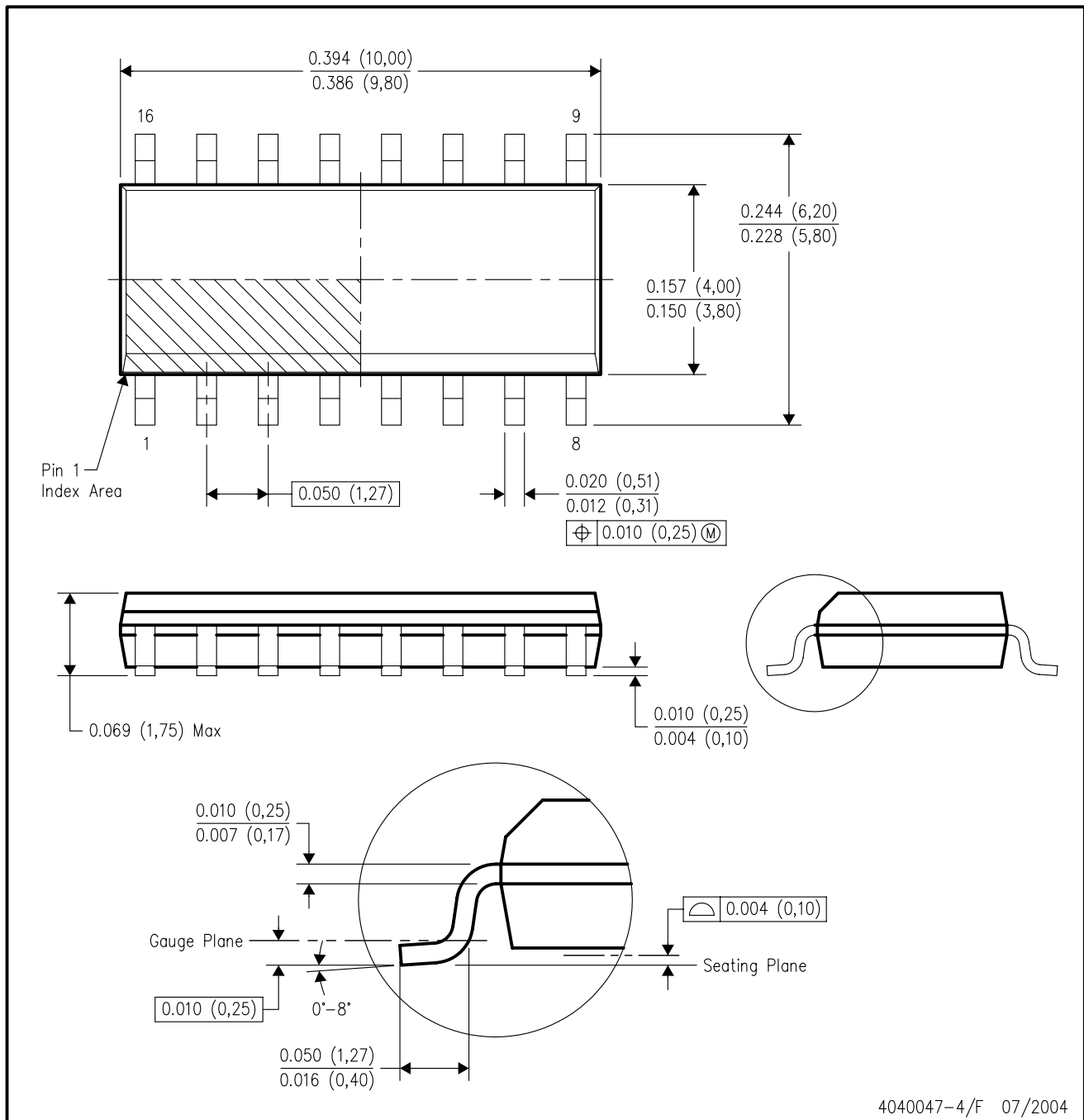
16 PINS SHOWN



- NOTES:
- A. All linear dimensions are in inches (millimeters).
  - B. This drawing is subject to change without notice.
  - Falls within JEDEC MS-001, except 18 and 20 pin minimum body length (Dim A).
  - The 20 pin end lead shoulder width is a vendor option, either half or full width.

D (R-PDSO-G16)

PLASTIC SMALL-OUTLINE PACKAGE



- NOTES:
- A. All linear dimensions are in inches (millimeters).
  - B. This drawing is subject to change without notice.
  - C. Body dimensions do not include mold flash or protrusion not to exceed 0.006 (0,15).
  - D. Falls within JEDEC MS-012 variation AC.



## IMPORTANT NOTICE

Texas Instruments Incorporated and its subsidiaries (TI) reserve the right to make corrections, modifications, enhancements, improvements, and other changes to its products and services at any time and to discontinue any product or service without notice. Customers should obtain the latest relevant information before placing orders and should verify that such information is current and complete. All products are sold subject to TI's terms and conditions of sale supplied at the time of order acknowledgment.

TI warrants performance of its hardware products to the specifications applicable at the time of sale in accordance with TI's standard warranty. Testing and other quality control techniques are used to the extent TI deems necessary to support this warranty. Except where mandated by government requirements, testing of all parameters of each product is not necessarily performed.

TI assumes no liability for applications assistance or customer product design. Customers are responsible for their products and applications using TI components. To minimize the risks associated with customer products and applications, customers should provide adequate design and operating safeguards.

TI does not warrant or represent that any license, either express or implied, is granted under any TI patent right, copyright, mask work right, or other TI intellectual property right relating to any combination, machine, or process in which TI products or services are used. Information published by TI regarding third-party products or services does not constitute a license from TI to use such products or services or a warranty or endorsement thereof. Use of such information may require a license from a third party under the patents or other intellectual property of the third party, or a license from TI under the patents or other intellectual property of TI.

Reproduction of information in TI data books or data sheets is permissible only if reproduction is without alteration and is accompanied by all associated warranties, conditions, limitations, and notices. Reproduction of this information with alteration is an unfair and deceptive business practice. TI is not responsible or liable for such altered documentation.

Resale of TI products or services with statements different from or beyond the parameters stated by TI for that product or service voids all express and any implied warranties for the associated TI product or service and is an unfair and deceptive business practice. TI is not responsible or liable for any such statements.

Following are URLs where you can obtain information on other Texas Instruments products and application solutions:

| <b>Products</b>  |  | <b>Applications</b> |  |
|------------------|--|---------------------|--|
| Amplifiers       | <a href="http://amplifier.ti.com">amplifier.ti.com</a>             | Audio               | <a href="http://www.ti.com/audio">www.ti.com/audio</a>                   |
| Data Converters  | <a href="http://dataconverter.ti.com">dataconverter.ti.com</a>     | Automotive          | <a href="http://www.ti.com/automotive">www.ti.com/automotive</a>         |
| DSP              | <a href="http://dsp.ti.com">dsp.ti.com</a>                         | Broadband           | <a href="http://www.ti.com/broadband">www.ti.com/broadband</a>           |
| Interface        | <a href="http://interface.ti.com">interface.ti.com</a>             | Digital Control     | <a href="http://www.ti.com/digitalcontrol">www.ti.com/digitalcontrol</a> |
| Logic            | <a href="http://logic.ti.com">logic.ti.com</a>                     | Military            | <a href="http://www.ti.com/military">www.ti.com/military</a>             |
| Power Mgmt       | <a href="http://power.ti.com">power.ti.com</a>                     | Optical Networking  | <a href="http://www.ti.com/opticalnetwork">www.ti.com/opticalnetwork</a> |
| Microcontrollers | <a href="http://microcontroller.ti.com">microcontroller.ti.com</a> | Security            | <a href="http://www.ti.com/security">www.ti.com/security</a>             |
|                  |  | Telephony           | <a href="http://www.ti.com/telephony">www.ti.com/telephony</a>           |
|                  |  | Video & Imaging     | <a href="http://www.ti.com/video">www.ti.com/video</a>                   |
|                  |  | Wireless            | <a href="http://www.ti.com/wireless">www.ti.com/wireless</a>             |

Mailing Address: Texas Instruments  
Post Office Box 655303 Dallas, Texas 75265