

1MHz, 45µA, CMOS, Rail-to-Rail OPERATIONAL AMPLIFIERS

FEATURES

- **LOW I_Q: 45µA typical**
- **LOW COST**
- **RAIL-TO-RAIL INPUT AND OUTPUT**
- **SINGLE SUPPLY: +2.1V to +5.5V**
- **INPUT BIAS CURRENT: 0.5pA**
- **MicroSIZE PACKAGES: SC70-5, SOT23-8 and TSSOP-14**
- **HIGH SPEED: POWER WITH BANDWIDTH: 1MHz**

APPLICATIONS

- **PORTABLE EQUIPMENT**
- **BATTERY-POWERED EQUIPMENT**
- **SMOKE ALARMS**
- **CO DETECTORS**
- **MEDICAL INSTRUMENTATION**

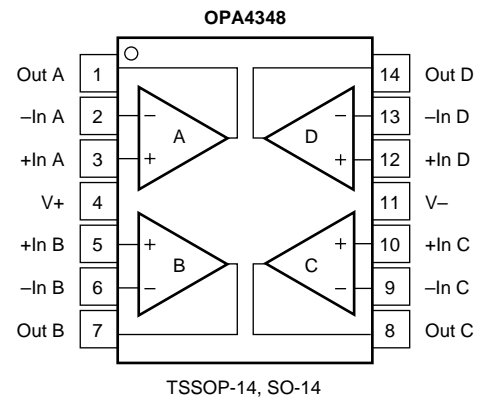
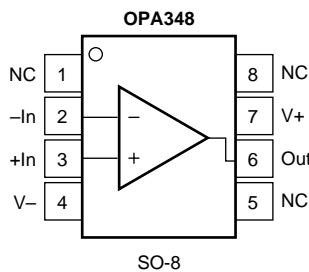
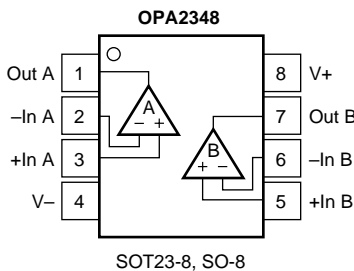
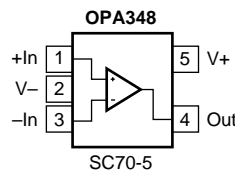
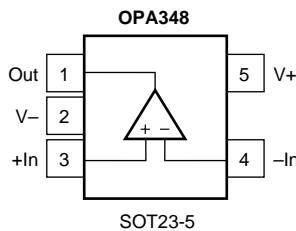
DESCRIPTION

The OPA348 series amplifiers are single supply, low-power, CMOS op amps in micro packaging. Featuring an extended bandwidth of 1MHz, and a supply current of 45µA, the OPA348 series is useful for low-power applications on single supplies of 2.1V to 5.5V.

Low supply current of 45µA, and an input bias current of 0.5pA, make the OPA348 series an optimal candidate for low-power, high-impedance applications such as smoke detectors and other sensors.

The OPA348 is available in the miniature SC70-5, SOT23-5 and SO-8 packages. The OPA2348 is available in SOT23-8 and SO-8 packages, and the OPA4348 is offered in space-saving TSSOP-14 and SO-14 packages. The extended temperature range of -40°C to +125°C over all supply voltages offers additional design flexibility.

| PACKAGES | OPA348 | OPA2348 | OPA4348 |
|----------|--------|---------|---------|
| SOT23-5 | X | | |
| SOT23-8 | | X | |
| SO-8 | X | X | |
| TSSOP-14 | | | X |
| SO-14 | | | X |
| SC70-5 | X | | |



Please be aware that an important notice concerning availability, standard warranty, and use in critical applications of Texas Instruments semiconductor products and disclaimers thereto appears at the end of this data sheet.

ABSOLUTE MAXIMUM RATINGS⁽¹⁾

| | |
|--|--|
| Supply Voltage, V ₋ to V ₊ | 7.5V |
| Signal Input Terminals, Voltage ⁽²⁾ | (V ₋) - 0.5V to (V ₊) + 0.5V |
| Current ⁽²⁾ | 10mA |
| Output Short-Circuit ⁽³⁾ | Continuous |
| Operating Temperature | -65°C to +150°C |
| Storage Temperature | -65°C to +150°C |
| Junction Temperature | 150°C |
| Lead Temperature (soldering, 10s) | 300°C |

NOTES: (1) Stresses above these ratings may cause permanent damage. Exposure to absolute maximum conditions for extended periods may degrade device reliability. These are stress ratings only. Functional operation of the device at these conditions, or beyond the specified operating conditions, is not implied. (2) Input terminals are diode-clamped to the power-supply rails. Input signals that can swing more than 0.5V beyond the supply rails should be current-limited to 10mA or less. (3) Short-circuit to ground, one amplifier per package.



ELECTROSTATIC DISCHARGE SENSITIVITY

This integrated circuit can be damaged by ESD. Texas Instruments recommends that all integrated circuits be handled with appropriate precautions. Failure to observe proper handling and installation procedures can cause damage.

ESD damage can range from subtle performance degradation to complete device failure. Precision integrated circuits may be more susceptible to damage because very small parametric changes could cause the device not to meet its published specifications.

PACKAGE/ORDERING INFORMATION

| PRODUCT | PACKAGE-LEAD | PACKAGE DESIGNATOR ⁽¹⁾ | SPECIFIED TEMPERATURE RANGE | PACKAGE MARKING | ORDERING NUMBER ⁽²⁾ | TRANSPORT MEDIA, QUANTITY |
|---------------|--------------|-----------------------------------|-----------------------------|-----------------|--------------------------------|---------------------------|
| Single | | | | | | |
| OPA348AI | SOT23-5 | DBV | -40°C to +125°C | A48 | OPA348AIDBVT | Tape and Reel, 250 |
| " | " | " | " | " | OPA348AIDBVR | Tape and Reel, 3000 |
| OPA348AI | SO-8 | D | -40°C to +125°C | 348A | OPA348AID | Tubes, 100 |
| " | " | " | " | " | OPA348AIDR | Tape and Reel, 2500 |
| OPA348AI | SC70-5 | DCK | -40°C to 125°C | S48 | OPA348AIDCKT | Tape and Reel, 250 |
| " | " | " | " | " | OPA348AIDCKR | Tape and Reel, 3000 |
| Dual | | | | | | |
| OPA2348AI | SOT23-8 | DCN | -40°C to +125°C | B48 | OPA2348AIDCNT | Tape and Reel, 250 |
| " | " | " | " | " | OPA2348AIDCNR | Tape and Reel, 3000 |
| OPA2348AI | SO-8 | D | -40°C to +125°C | 2348A | OPA2348AID | Tubes, 100 |
| " | " | " | " | " | OPA2348AIDR | Tape and Reel, 2500 |
| Quad | | | | | | |
| OPA4348AI | SO-14 | D | -40°C to +125°C | OPA4348 | OPA4348AID | Tubes, 58 |
| " | " | " | " | " | OPA4348AIDR | Tape and Reel, 2500 |
| OPA4348AI | TSSOP-14 | PW | -40°C to +125°C | 4348A | OPA4348AIPWT | Tubes, 250 |
| " | " | " | " | " | OPA4348AIPWR | Tape and Reel, 2500 |

NOTES: (1) For the most current specifications and package information, refer to our web site at www.ti.com. (2) Models labeled with "T" indicate smaller quantity tape and reel, "R" indicates large quantity tape and reel and "D" indicates tubes of specified quantity.

ELECTRICAL CHARACTERISTICS: $V_S = 2.5V$ to $5.5V$

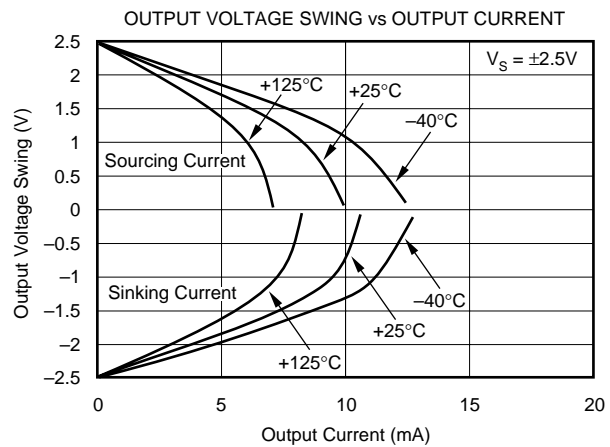
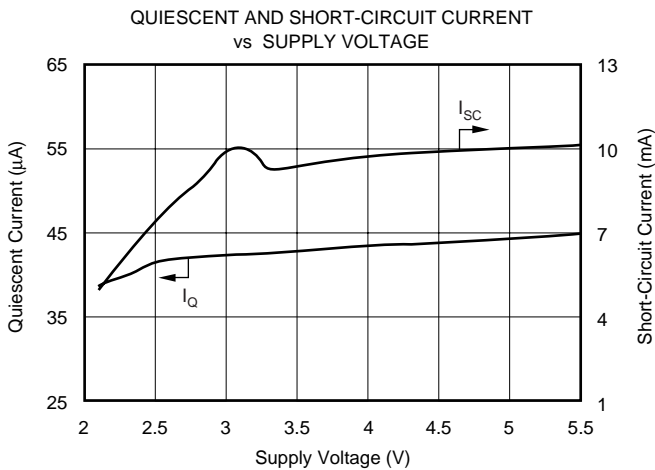
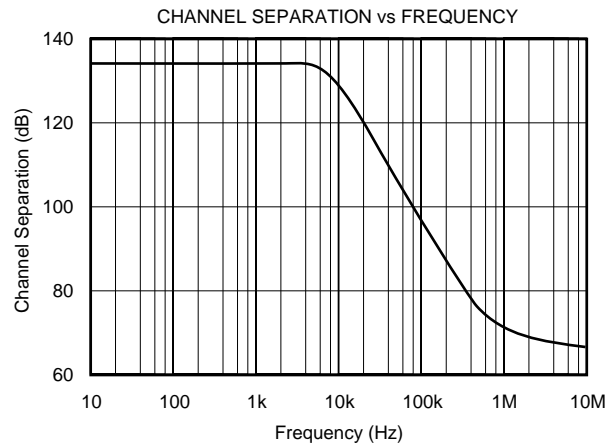
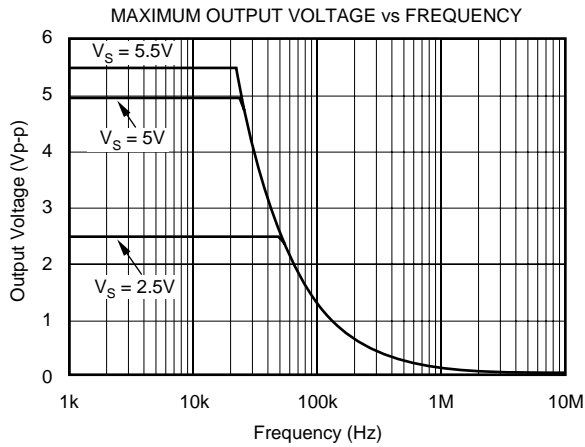
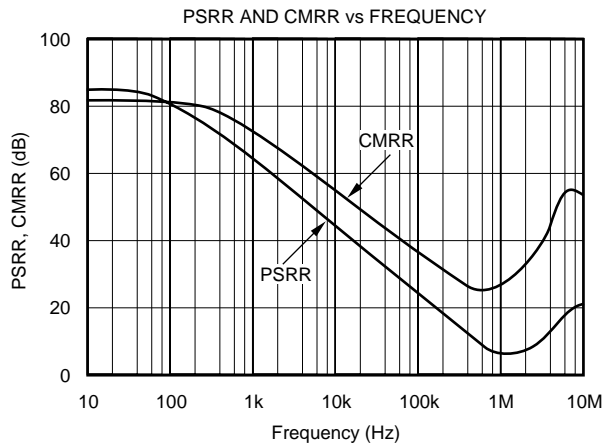
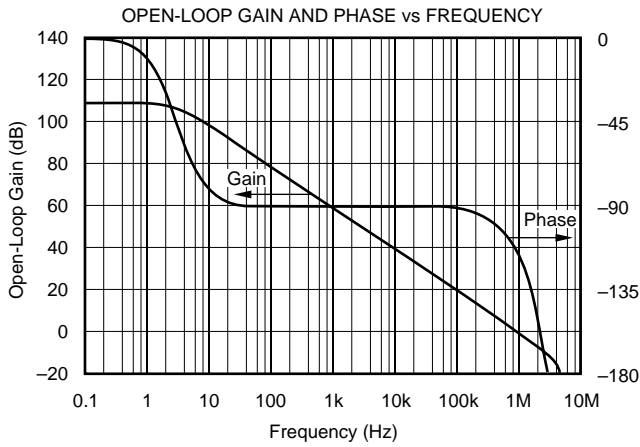
Boldface limits apply over the specified temperature range, $T_A = -40^\circ C$ to $+125^\circ C$

At $T_A = +25^\circ C$, $R_L = 100k\Omega$ connected to $V_S/2$ and $V_{OUT} = V_S/2$, unless otherwise noted.

| PARAMETER | CONDITION | OPA348 OPA2348 OPA4348 | | | UNITS |
|--|---|------------------------------|-----------------------------|--------------|-----------------------|
| | | MIN | TYP | MAX | |
| OFFSET VOLTAGE Input Offset Voltage V_{OS} Over Temperature Drift dV_{OS}/dT vs Power Supply PSRR Over Temperature Channel Separation, dc $f = 1kHz$ | $V_S = 5V, V_{CM} = (V-) + 0.8V$ | | 1 | 5 | mV |
| | $V_S = 2.5V$ to $5.5V, V_{CM} < (V+) - 1.7V$ | | 4 | 6 | mV |
| | $V_S = 2.5V$ to $5.5V, V_{CM} < (V+) - 1.7V$ | | 60 | 175 | $\mu V/V$ |
| | | | 0.2 | 300 | $\mu V/V$ |
| | | | 134 | | dB |
| INPUT VOLTAGE RANGE Common-Mode Voltage Range V_{CM} Common-Mode Rejection Ratio over Temperature over Temperature | $(V-) - 0.2V < V_{CM} < (V+) - 1.7V$ | $(V-) - 0.2$ | 82 | $(V+) + 0.2$ | V |
| | $(V-) < V_{CM} < (V+) - 1.7V$ | 70 | | | dB |
| | $V_S = 5.5V, (V-) - 0.2V < V_{CM} < (V+) + 0.2V$ | 60 | 71 | | dB |
| | $V_S = 5.5V, (V-) < V_{CM} < (V+)$ | 56 | | | dB |
| INPUT BIAS CURRENT Input Bias Current I_B Input Offset Current I_{OS} | | | ± 0.5 | ± 10 | pA |
| | | | ± 0.5 | ± 10 | pA |
| INPUT IMPEDANCE Differential Common-Mode | | | $10^{13} \parallel 3$ | | $\Omega \parallel pF$ |
| | | | $10^{13} \parallel 6$ | | $\Omega \parallel pF$ |
| NOISE Input Voltage Noise, $f = 0.1Hz$ to $10Hz$ Input Voltage Noise Density, $f = 1kHz$ e_n Input Current Noise Density, $f = 1kHz$ i_n | $V_{CM} < (V+) - 1.7V$ | | 10 | | $\mu Vp-p$ |
| | | | 35 | | nV/\sqrt{Hz} |
| | | | 4 | | fA/\sqrt{Hz} |
| | | | | | |
| OPEN-LOOP GAIN Open-Loop Voltage Gain A_{OL} over Temperature over Temperature | $V_S = 5V, R_L = 100k\Omega, 0.025V < V_O < 4.975V$ | 94 | 108 | | dB |
| | $V_S = 5V, R_L = 100k\Omega, 0.025V < V_O < 4.975V$ | 90 | | | dB |
| | $V_S = 5V, R_L = 5k\Omega, 0.125V < V_O < 4.875V$ | 90 | 98 | | dB |
| | $V_S = 5V, R_L = 5k\Omega, 0.125V < V_O < 4.875V$ | 88 | | | dB |
| OUTPUT Voltage Output Swing from Rail over Temperature over Temperature Short-Circuit Current I_{SC} Capacitive Load Drive C_{LOAD} | $R_L = 100k\Omega, A_{OL} > 94dB$ | | 18 | 25 | mV |
| | $R_L = 100k\Omega, A_{OL} > 90dB$ | | | 25 | mV |
| | $R_L = 5k\Omega, A_{OL} > 90dB$ | | 100 | 125 | mV |
| | $R_L = 5k\Omega, A_{OL} > 88dB$ | | | 125 | mV |
| | | | ± 10 | | mA |
| | | | See Typical Characteristics | | |
| FREQUENCY RESPONSE Gain-Bandwidth Product GBW Slew Rate SR Settling Time, 0.1% t_s 0.01% Overload Recovery Time Total Harmonic Distortion + Noise THD+N | $C_L = 100pF$ | | | | MHz |
| | $G = +1$ | | 1 | | V/ μs |
| | $V_S = 5.5V, 2V$ Step, $G = +1$ | | 0.5 | | μs |
| | $V_S = 5.5V, 2V$ Step, $G = +1$ | | 5 | | μs |
| | $V_{IN} \cdot \text{Gain} > V_S$ | | 7 | | μs |
| | $V_S = 5.5V, V_O = 3Vp-p, G = +1, f = 1kHz$ | | 1.6 | | μs |
| | | | 0.0023 | | % |
| POWER SUPPLY Specified Voltage Range V_S Minimum Operating Voltage Quiescent Current (per amplifier) I_Q over Temperature | | 2.5 | | 5.5 | V |
| | | | 2.1 to 5.5 | | V |
| | | | 45 | 65 | μA |
| | $I_O = 0$ | | | 75 | μA |
| TEMPERATURE RANGE Specified Range Operating Range Storage Range Thermal Resistance θ_{JA} SOT23-5 Surface-Mount SOT23-8 Surface-Mount MSOP-8 Surface-Mount SO-8 Surface-Mount SO-14 Surface-Mount TSSOP-14 Surface-Mount SC70-5 Surface-Mount | | -40 | | 125 | $^\circ C$ |
| | | -65 | | 150 | $^\circ C$ |
| | | -65 | | 150 | $^\circ C$ |
| | | | 200 | | $^\circ C/W$ |
| | | | 150 | | $^\circ C/W$ |
| | | | 150 | | $^\circ C/W$ |
| | | | 150 | | $^\circ C/W$ |
| | | | 100 | | $^\circ C/W$ |
| | | | 100 | | $^\circ C/W$ |
| | | | 250 | | $^\circ C/W$ |

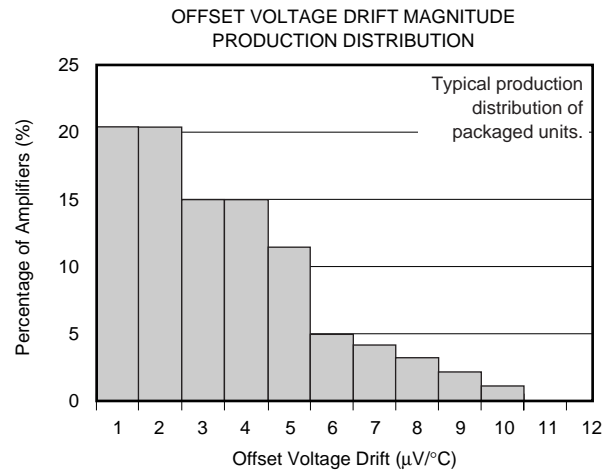
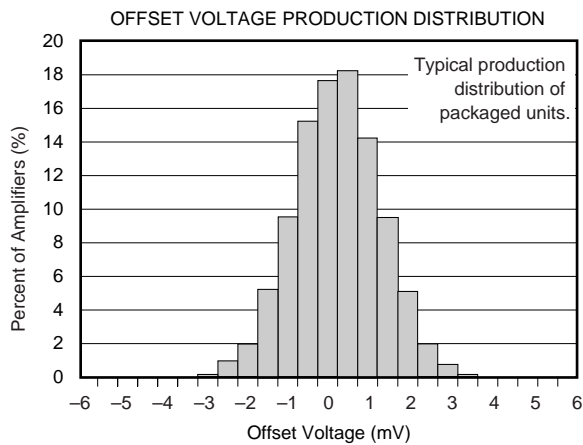
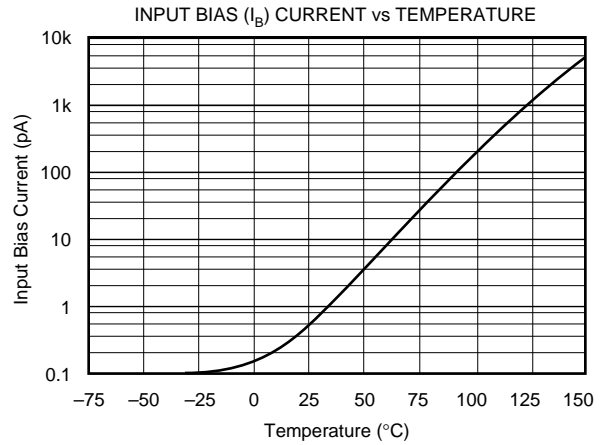
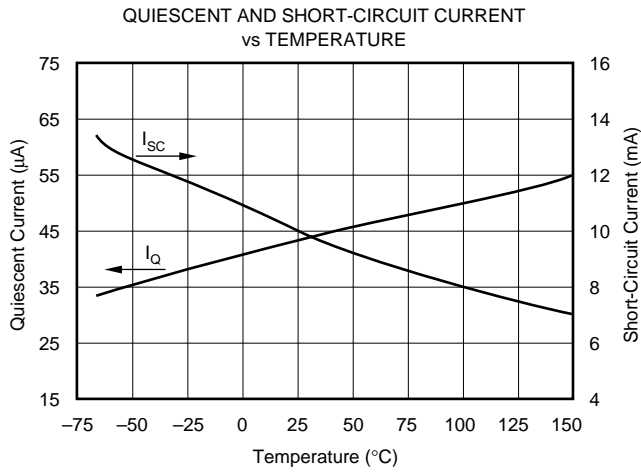
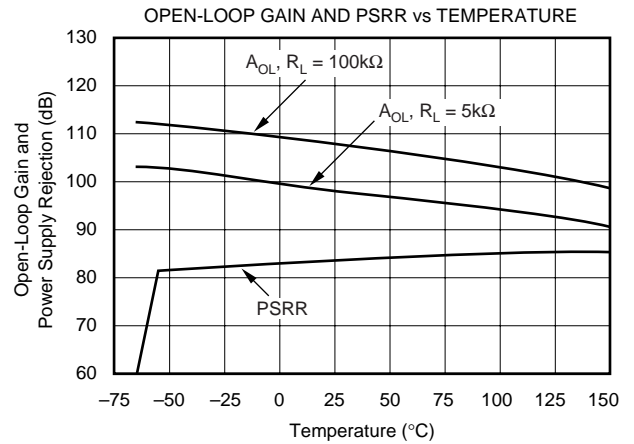
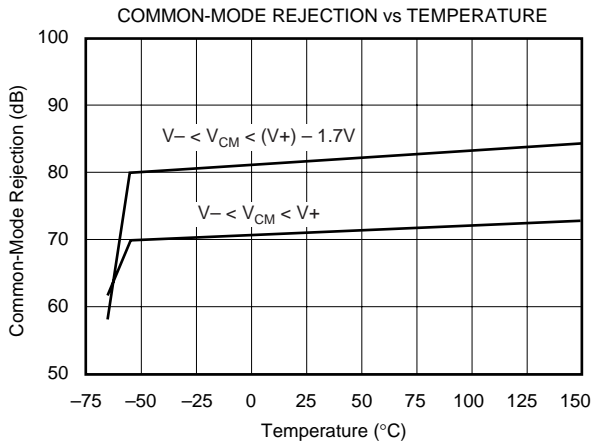
TYPICAL CHARACTERISTICS

At $T_A = +25^\circ\text{C}$, $R_L = 100\text{k}\Omega$ connected to $V_S/2$ and $V_{OUT} = V_S/2$, unless otherwise noted.



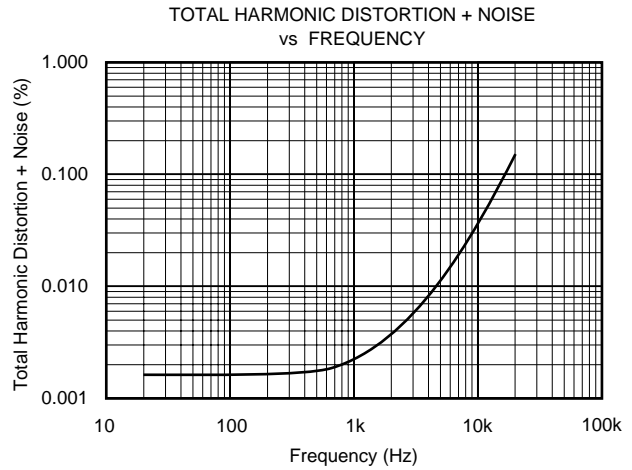
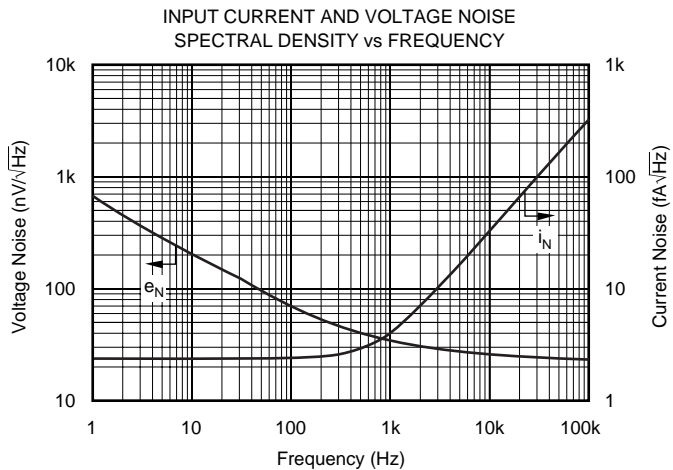
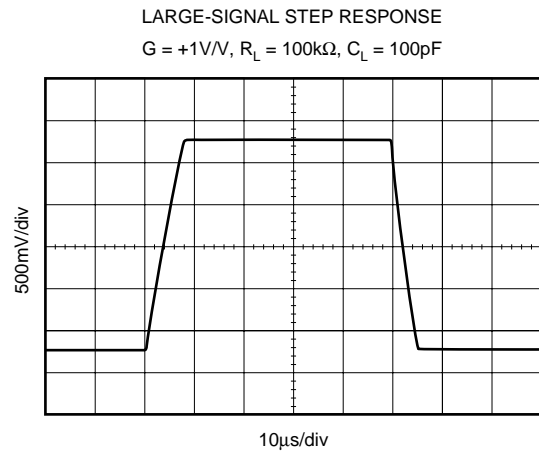
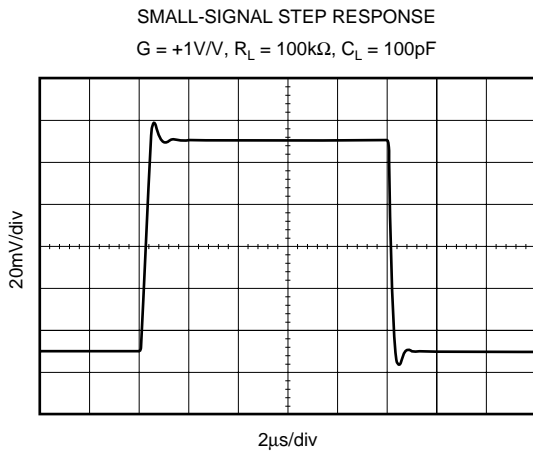
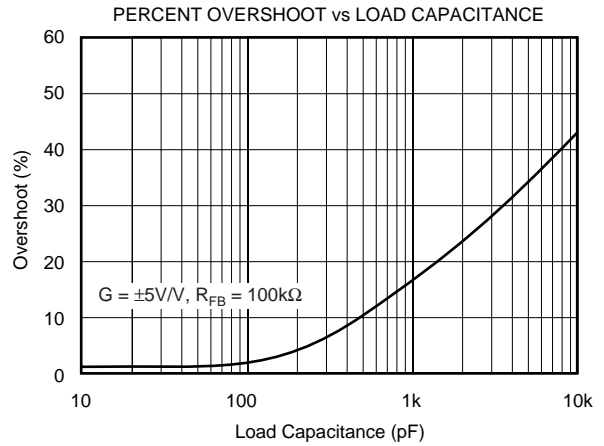
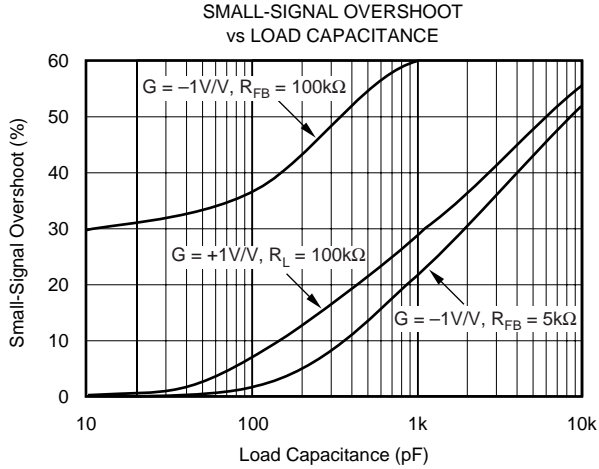
TYPICAL CHARACTERISTICS (Cont.)

At $T_A = +25^\circ\text{C}$, $R_L = 100\text{k}\Omega$ connected to $V_S/2$ and $V_{OUT} = V_S/2$, unless otherwise noted.



TYPICAL CHARACTERISTICS (Cont.)

At $T_A = +25^\circ\text{C}$, $R_L = 100\text{k}\Omega$ connected to $V_S/2$ and $V_{OUT} = V_S/2$, unless otherwise noted.



APPLICATIONS INFORMATION

OPA348 series op amps are unity-gain stable and suitable for a wide range of general-purpose applications.

The OPA348 series features wide bandwidth and unity-gain stability with rail-to-rail input and output for increased dynamic range. Figure 1 shows the input and output waveforms for the OPA348 in unity-gain configuration. Operation is from a single +5V supply with a 100kΩ load connected to $V_S/2$. The input is a 5Vp-p sinusoid. Output voltage is approximately 4.98Vp-p.

Power-supply pins should be bypassed with 0.01μF ceramic capacitors.

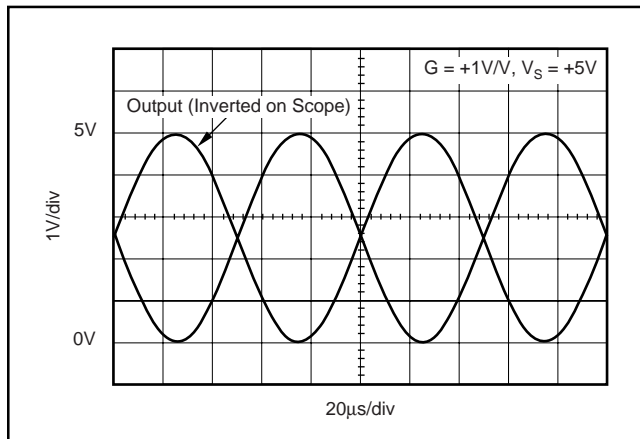


FIGURE 1. The OPA348 Features Rail-to-Rail Input/Output.

OPERATING VOLTAGE

OPA348 series op amps are fully specified and tested from +2.5V to +5.5V. However, supply voltage may range from +2.1V to +5.5V. Parameters are tested over the specified supply range—a unique feature of the OPA348 series. In addition, all temperature specifications apply from -40°C to +125°C. Most behavior remains virtually unchanged throughout the full operating voltage range. Parameters that vary significantly with operating voltages or temperature are shown in the Typical Characteristics.

COMMON-MODE VOLTAGE RANGE

The input common-mode voltage range of the OPA348 series extends 200mV beyond the supply rails. This is achieved with a complementary input stage—an N-channel input differential pair in parallel with a P-channel differential pair. The N-channel pair is active for input voltages close to the positive rail, typically $(V+) - 1.2V$ to 300mV above the positive supply, while the P-channel pair is on for inputs from 300mV below the negative supply to approximately $(V+) - 1.4V$. There is a small transition region, typically $(V+) - 1.4V$ to $(V+) - 1.2V$, in which both pairs are on. This 200mV transition region, shown in Figure 2, can vary ±300mV with process variation. Thus, the transition region (both stages on) can range from $(V+) - 1.7V$ to $(V+) - 1.5V$ on the low end, up to $(V+) - 1.1V$ to $(V+) - 0.9V$

on the high end. Within the 200mV transition region PSRR, CMRR, offset voltage, offset drift, and THD may be degraded compared to operation outside this region.

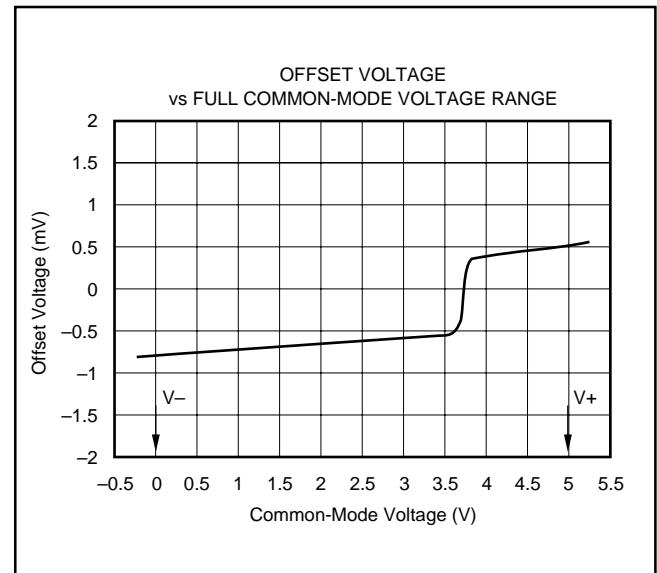


FIGURE 2. Behavior of Typical Transition Region at Room Temperature.

RAIL-TO-RAIL INPUT

The input common-mode range extends from $(V-) - 0.2V$ to $(V+) + 0.2V$. For normal operation, inputs should be limited to this range. The absolute maximum input voltage is 500mV beyond the supplies. Inputs greater than the input common-mode range but less than the maximum input voltage, while not valid, will not cause any damage to the op amp. Unlike some other op amps, if input current is limited the inputs may go beyond the power supplies without phase inversion, as shown in Figure 3.

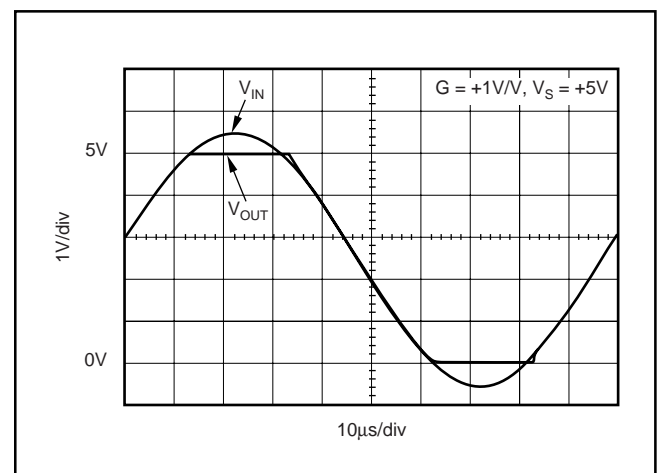


FIGURE 3. OPA348—No Phase Inversion with Inputs Greater than the Power-Supply Voltage.

Normally, input currents are 0.5pA. However, large inputs (greater than 500mV beyond the supply rails) can cause excessive current to flow in or out of the input pins. Therefore, as well as keeping the input voltage below the maximum rating, it is also important to limit the input current to less than 10mA. This is easily accomplished with an input voltage resistor, as shown in Figure 4.

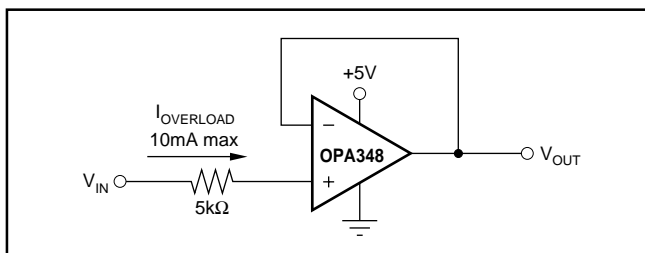


FIGURE 4. Input Current Protection for Voltages Exceeding the Supply Voltage.

RAIL-TO-RAIL OUTPUT

A class AB output stage with common-source transistors is used to achieve rail-to-rail output. This output stage is capable of driving 5kΩ loads connected to any potential between V+ and ground. For light resistive loads (> 100kΩ), the output voltage can typically swing to within 18mV from supply rail. With moderate resistive loads (10kΩ to 50kΩ), the output voltage can typically swing to within 100mV of the supply rails while maintaining high open-loop gain (see the typical characteristic “Output Voltage Swing vs Output Current”).

CAPACITIVE LOAD AND STABILITY

The OPA348 in a unity-gain configuration can directly drive up to 250pF pure capacitive load. Increasing the gain enhances the amplifier’s ability to drive greater capacitive loads (see the typical characteristic “Small-Signal Overshoot vs Capacitive Load”). In unity-gain configurations, capacitive load drive can be improved by inserting a small (10Ω to 20Ω) resistor, R_S , in series with the output, as shown in Figure 5. This significantly reduces ringing while maintaining DC performance for purely capacitive loads. However, if there is a resistive load in parallel with the capacitive load, a voltage divider is created, introducing a Direct Current (DC) error at the output and slightly reducing the output swing. The error introduced is proportional to the ratio R_S/R_L , and is generally negligible.

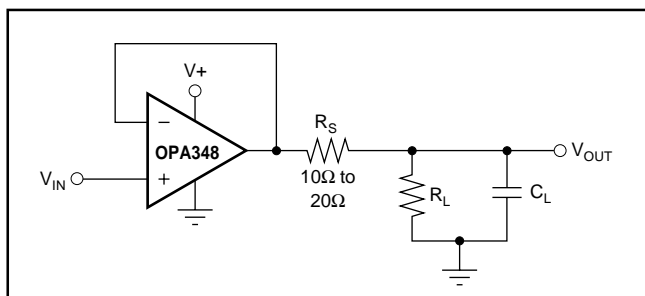


FIGURE 5. Series Resistor in Unity-Gain Buffer Configuration Improves Capacitive Load Drive.

In unity-gain inverter configuration, phase margin can be reduced by the reaction between the capacitance at the op amp input, and the gain setting resistors, thus degrading capacitive load drive. Best performance is achieved by using small valued resistors. For example, when driving a 500pF load, reducing the resistor values from 100kΩ to 5kΩ decreases overshoot from 55% to 13% (see the typical characteristic “Small-Signal Overshoot vs. Load Capacitance”). However, when large valued resistors cannot be avoided, a small (4pF to 6pF) capacitor, C_{FB} , can be inserted in the feedback, as shown in Figure 6. This significantly reduces overshoot by compensating the effect of capacitance, C_{IN} , which includes the amplifier’s input capacitance and PC board parasitic capacitance.

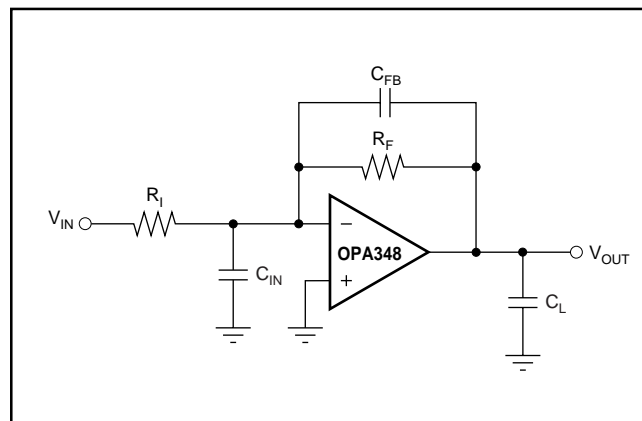


FIGURE 6. Improving Capacitive Load Drive.

DRIVING A/D CONVERTERS

The OPA348 series op amps are optimized for driving medium-speed sampling Analog-to-Digital Converters (ADCs). The OPA348 op amps buffer the ADCs input capacitance and resulting charge injection while providing signal gain.

The OPA348 in a basic noninverting configuration driving the ADS7822, see Figure 7. The ADS7822 is a 12-bit, *microPOWER* sampling converter in the MSOP-8 package. When used with the low-power, miniature packages of the OPA348, the combination is ideal for space-limited, low-power applications. In this configuration, an RC network at the ADC’s input can be used to provide for anti-aliasing filter and charge injection current.

The OPA348 in noninverting configuration driving ADS7822 limited, low-power applications. In this configuration, an RC network at the ADC’s input can be used to provide for anti-aliasing filter and charge injection current. See Figure 8 for the OPA2348 driving an ADS7822 in a speech bandpass filtered data acquisition system. This small, low-cost solution provides the necessary amplification and signal conditioning to interface directly with an electret microphone. This circuit will operate with $V_S = 2.7V$ to 5V with less than 250μA typical quiescent current.

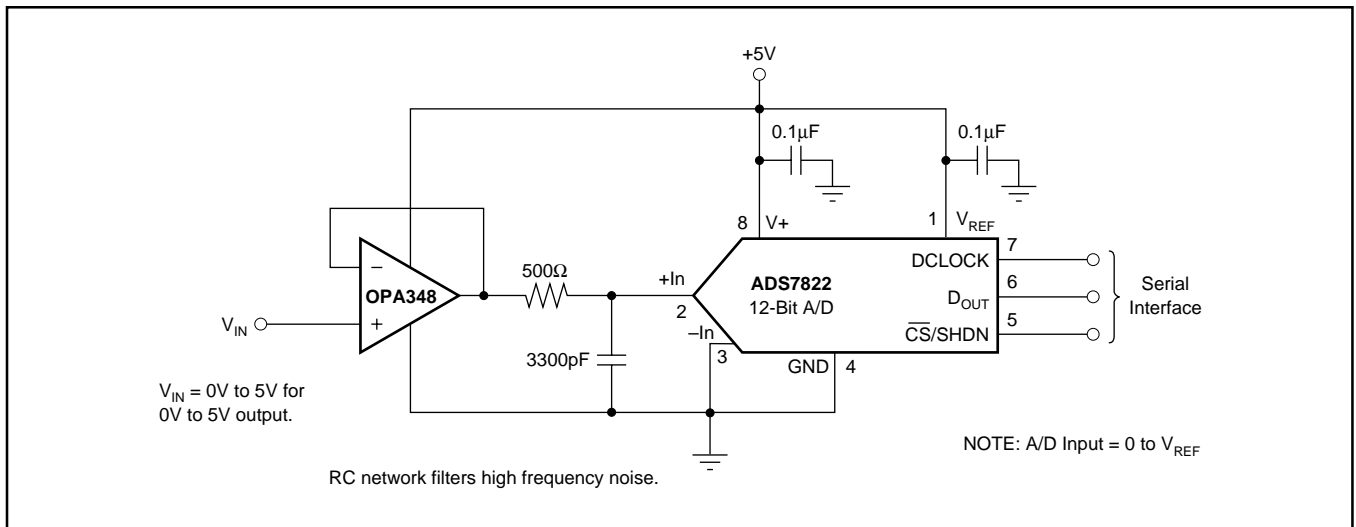


FIGURE 7. OPA348 in Noninverting Configuration Driving ADS7822.

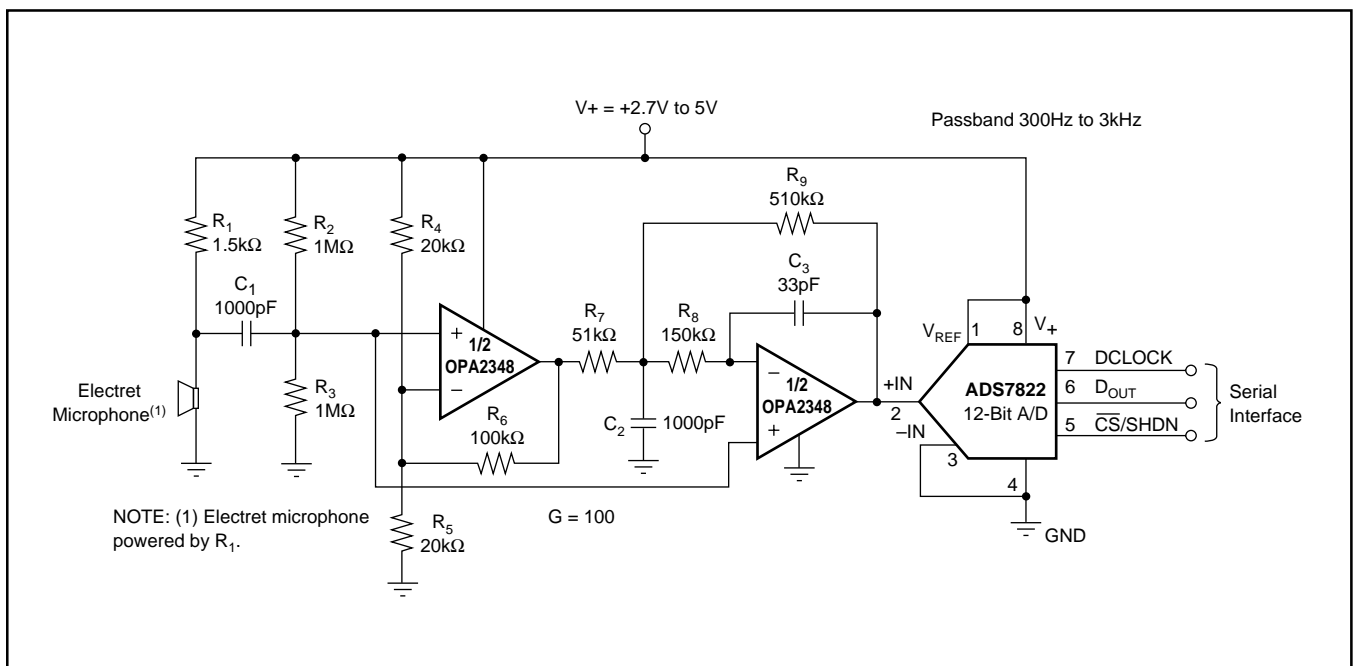
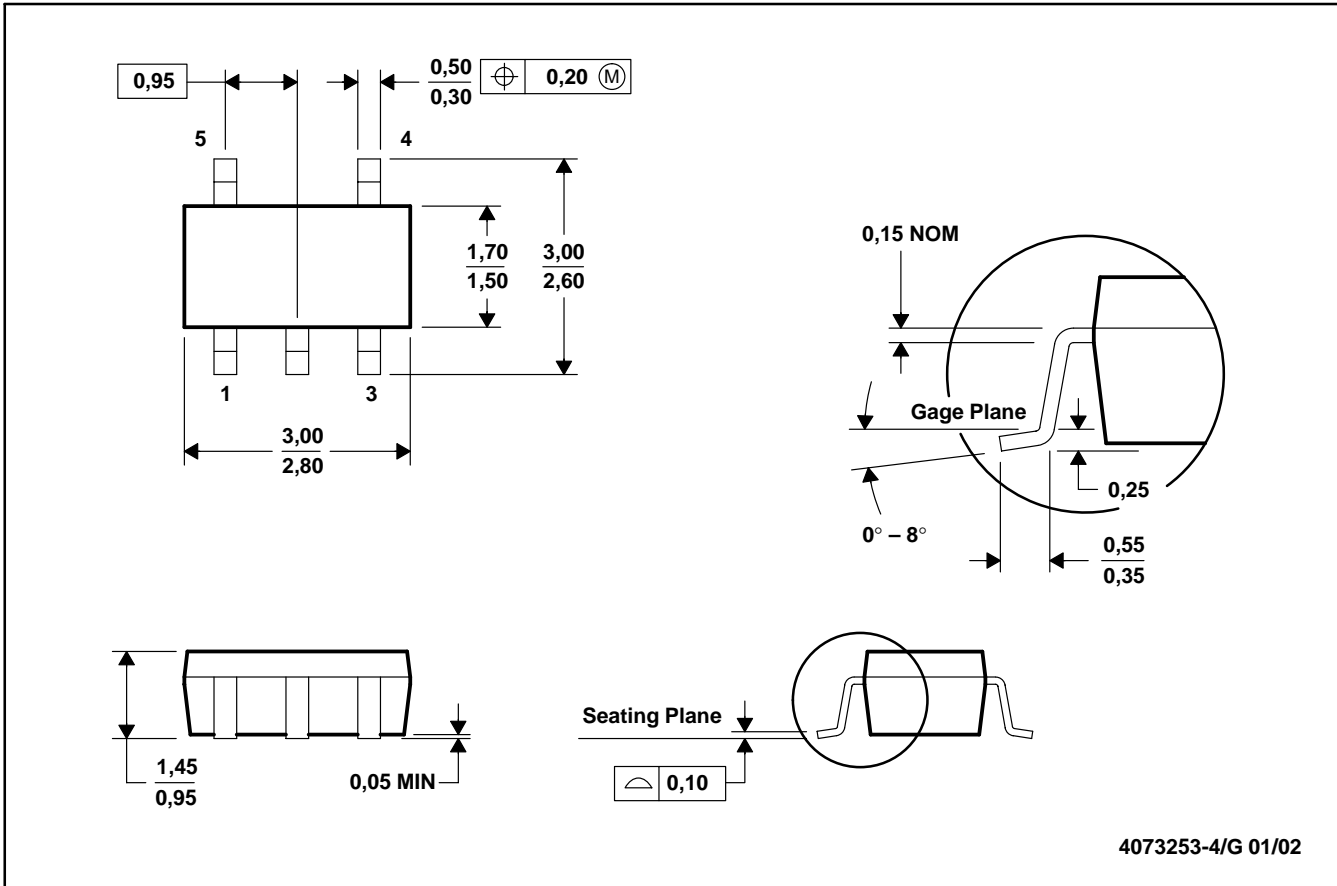


FIGURE 8. OPA2348 as a Speech Bandpass Filtered Data Acquisition System.

DBV (R-PDSO-G5)

PLASTIC SMALL-OUTLINE



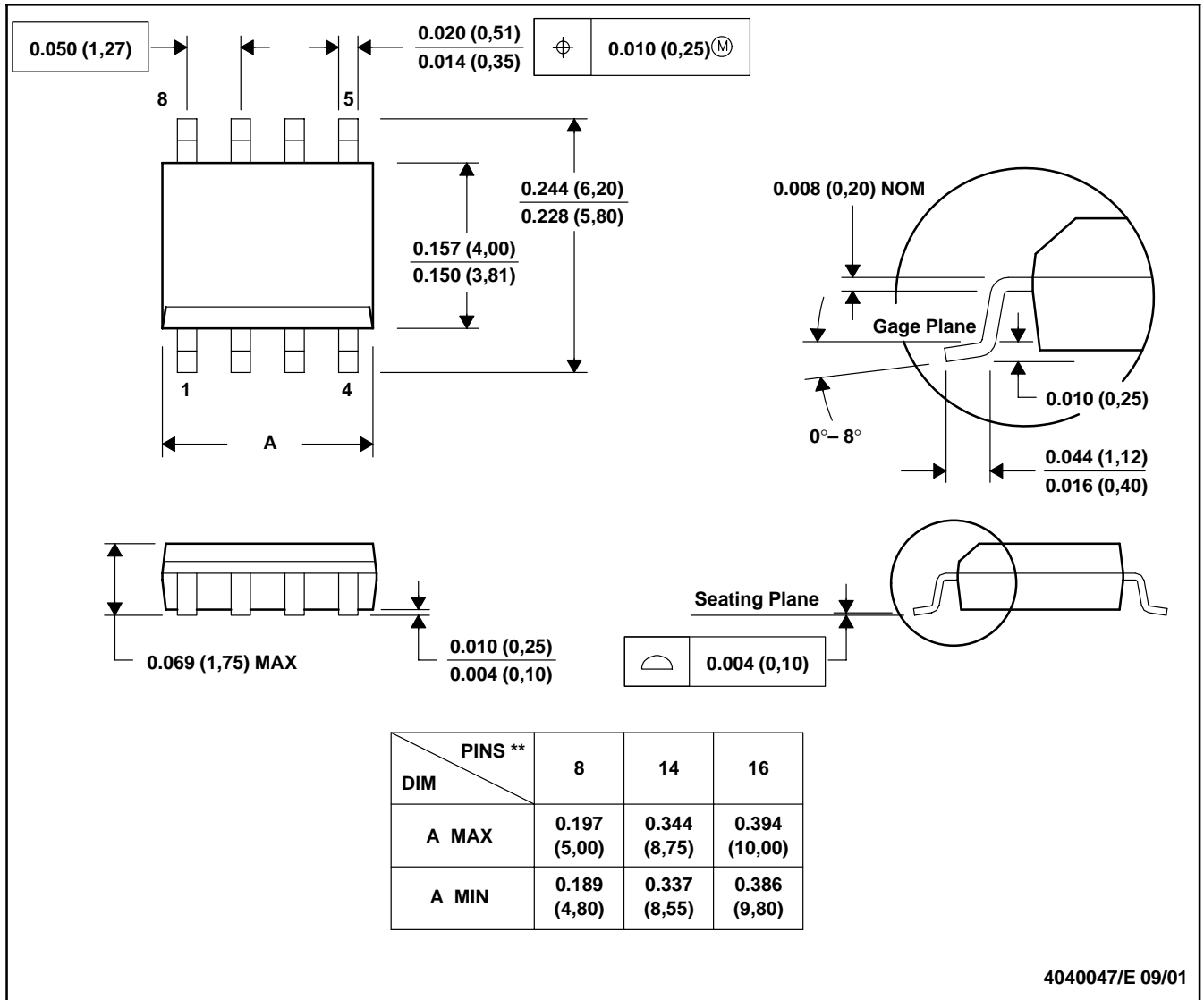
4073253-4/G 01/02

- NOTES:
- A. All linear dimensions are in millimeters.
 - B. This drawing is subject to change without notice.
 - C. Body dimensions do not include mold flash or protrusion.
 - D. Falls within JEDEC MO-178

D (R-PDSO-G**)

PLASTIC SMALL-OUTLINE PACKAGE

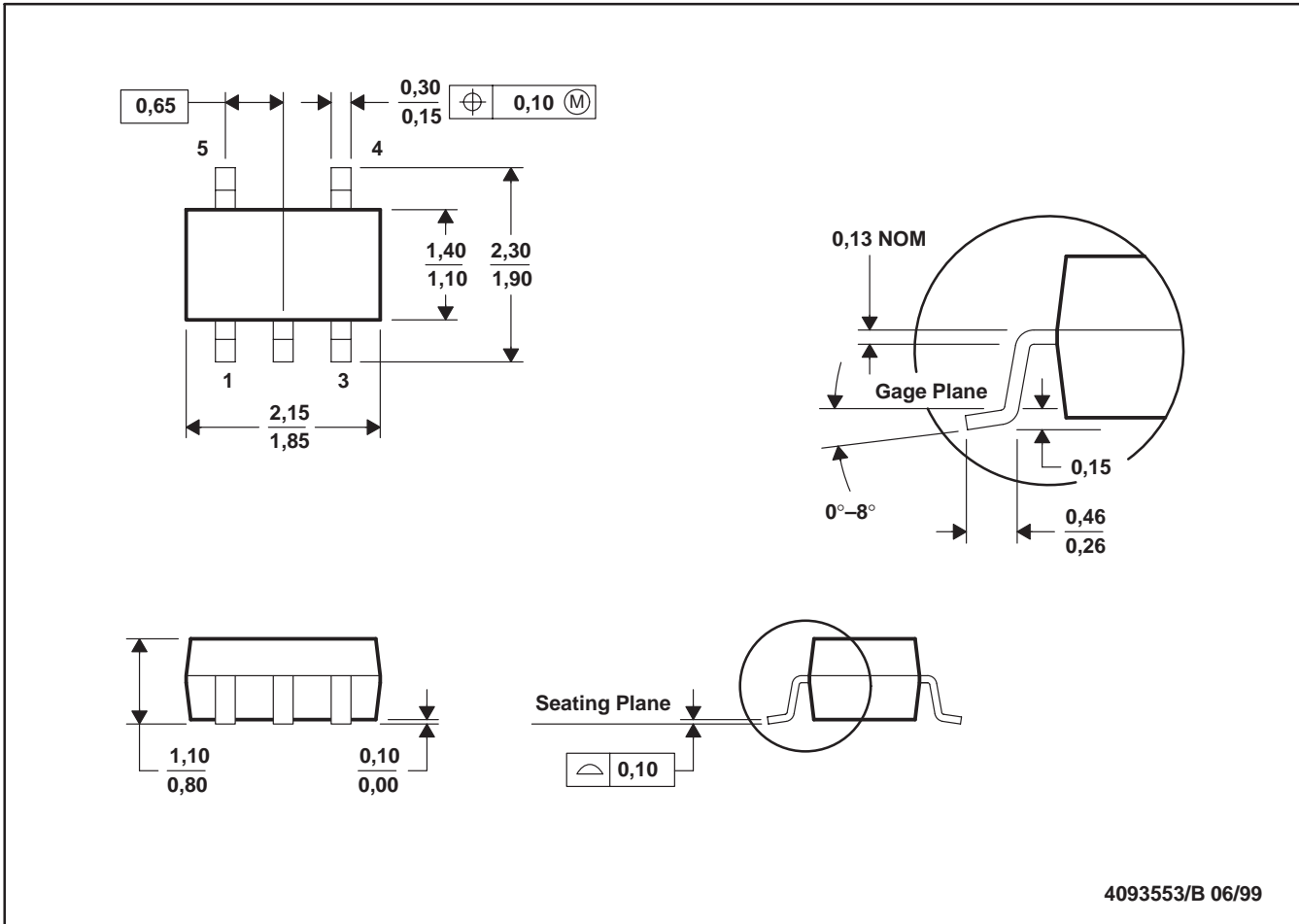
8 PINS SHOWN



- NOTES: A. All linear dimensions are in inches (millimeters).
 B. This drawing is subject to change without notice.
 C. Body dimensions do not include mold flash or protrusion, not to exceed 0.006 (0,15).
 D. Falls within JEDEC MS-012

DCK (R-PDSO-G5)

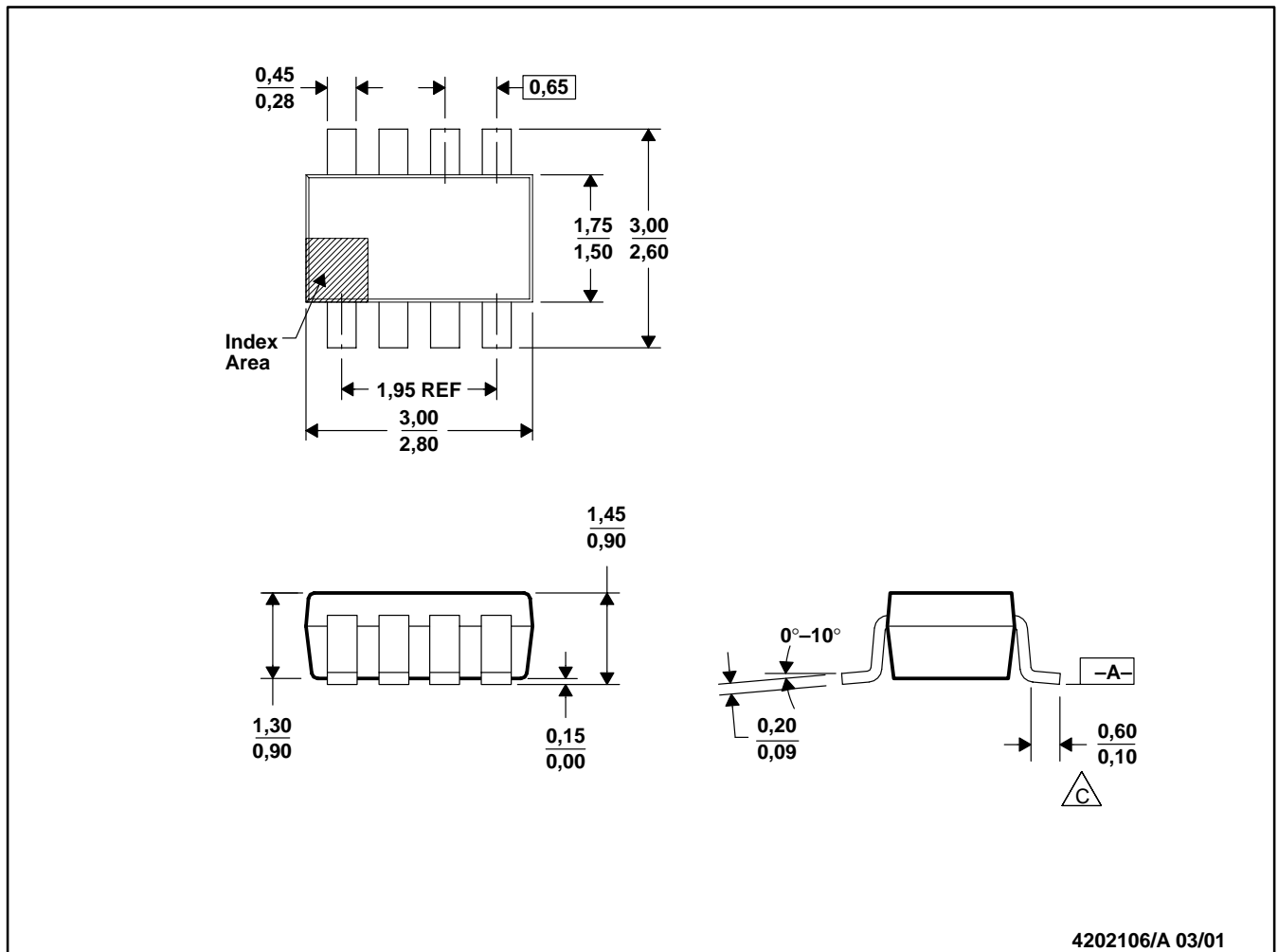
PLASTIC SMALL-OUTLINE



- NOTES: A. All linear dimensions are in millimeters.
 B. This drawing is subject to change without notice.
 C. Body dimensions do not include mold flash or protrusion.
 D. Falls within JEDEC MO-203

DCN (R-PDSO-G8)

PLASTIC SMALL-OUTLINE



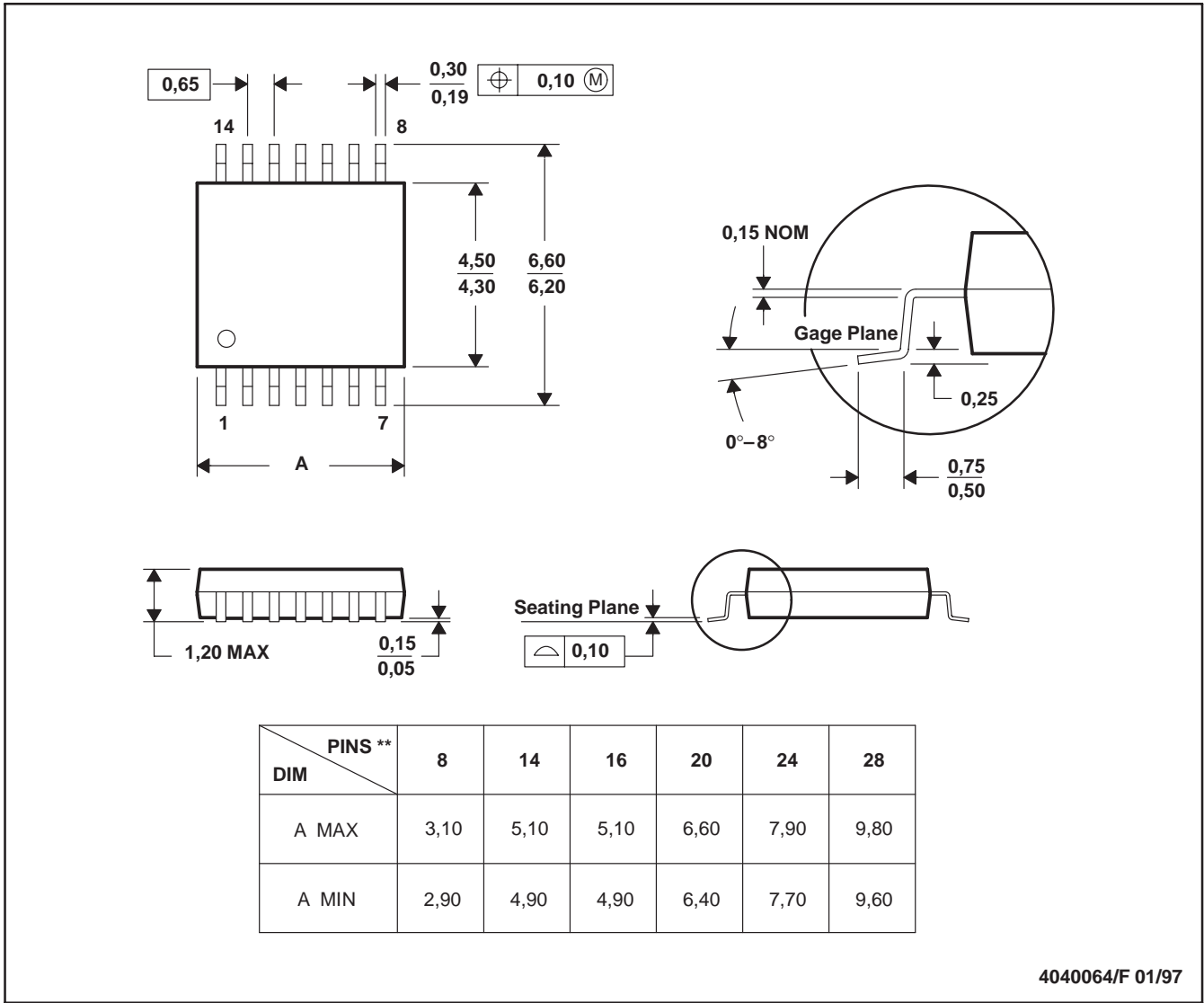
4202106/A 03/01

- NOTES: A. All linear dimensions are in millimeters.
 B. This drawing is subject to change without notice.
 C. Foot length measured reference to flat foot surface parallel to Datum A.
 D. Package outline exclusive of mold flash, metal burr and dambar protrusion/intrusion.
 E. Package outline inclusive of solder plating.
 F. A visual index feature must be located within the cross-hatched area.

PW (R-PDSO-G**)

PLASTIC SMALL-OUTLINE PACKAGE

14 PINS SHOWN



4040064/F 01/97

- NOTES: A. All linear dimensions are in millimeters.
 B. This drawing is subject to change without notice.
 C. Body dimensions do not include mold flash or protrusion not to exceed 0,15.
 D. Falls within JEDEC MO-153

IMPORTANT NOTICE

Texas Instruments Incorporated and its subsidiaries (TI) reserve the right to make corrections, modifications, enhancements, improvements, and other changes to its products and services at any time and to discontinue any product or service without notice. Customers should obtain the latest relevant information before placing orders and should verify that such information is current and complete. All products are sold subject to TI's terms and conditions of sale supplied at the time of order acknowledgment.

TI warrants performance of its hardware products to the specifications applicable at the time of sale in accordance with TI's standard warranty. Testing and other quality control techniques are used to the extent TI deems necessary to support this warranty. Except where mandated by government requirements, testing of all parameters of each product is not necessarily performed.

TI assumes no liability for applications assistance or customer product design. Customers are responsible for their products and applications using TI components. To minimize the risks associated with customer products and applications, customers should provide adequate design and operating safeguards.

TI does not warrant or represent that any license, either express or implied, is granted under any TI patent right, copyright, mask work right, or other TI intellectual property right relating to any combination, machine, or process in which TI products or services are used. Information published by TI regarding third-party products or services does not constitute a license from TI to use such products or services or a warranty or endorsement thereof. Use of such information may require a license from a third party under the patents or other intellectual property of the third party, or a license from TI under the patents or other intellectual property of TI.

Reproduction of information in TI data books or data sheets is permissible only if reproduction is without alteration and is accompanied by all associated warranties, conditions, limitations, and notices. Reproduction of this information with alteration is an unfair and deceptive business practice. TI is not responsible or liable for such altered documentation.

Resale of TI products or services with statements different from or beyond the parameters stated by TI for that product or service voids all express and any implied warranties for the associated TI product or service and is an unfair and deceptive business practice. TI is not responsible or liable for any such statements.

Mailing Address:

Texas Instruments
Post Office Box 655303
Dallas, Texas 75265