

OPA4684M QUAD LOW-POWER CURRENT-FEEDBACK OPERATIONAL AMPLIFIER

SGLS145B – AUGUST 2003 – REVISED FEBRUARY 2004

features

- Minimal Bandwidth Change Versus Gain
- 170-MHz Bandwidth at $G = +2$
- > 120 MHz Bandwidth To Gain > +10
- Low Distortion: < -78 dBc at 5 MHz
- High Output Current: 120 mA
- Single 5-V to 12-V Supply Operation
- Dual ± 2.5 to ± 6.0 V Supply Operation
- Low Supply Current: 6.8 mA Total

applications

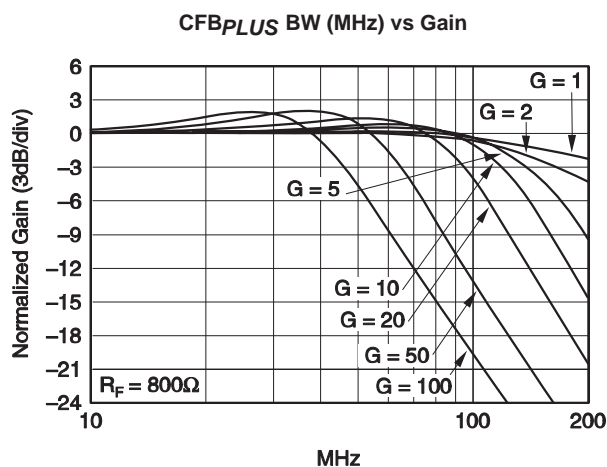
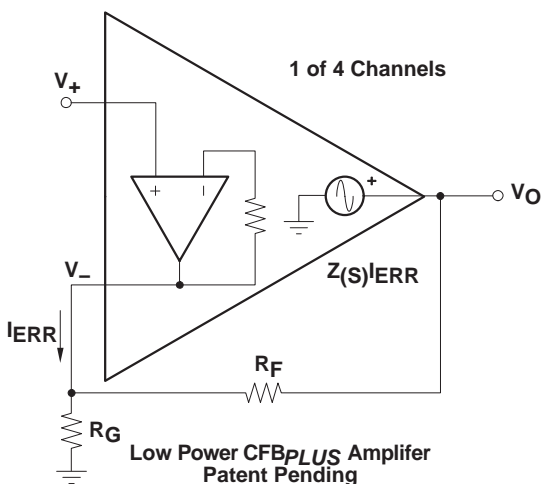
- Low-Power Broadcast Video Drivers
- Equalizing Filters
- Saw Filter High-Gain Post Amplifiers
- Multichannel Summing Amplifiers
- Wideband Differential Channels
- Analog-to-Digital Converters (ADC) Input Drivers
- Multiple Pole Active Filters
- OPA4658 Low-Power Upgrade

description

The OPA4684 provides a new level of performance in low-power, wideband, current-feedback (CFB) amplifiers. This CFB_{PLUS} amplifier is among the first to use an internally closed-loop input buffer stage that enhances performance significantly over earlier low-power CFB amplifiers. While retaining the benefits of very low power operation, this new architecture provides many of the benefits of a more ideal CFB amplifier. The closed-loop input stage buffer gives a very low and linearized impedance path at the inverting input to sense the feedback error current. This improved inverting input impedance retains exceptional bandwidth to much higher gains and improves harmonic distortion over earlier solutions limited by inverting input linearity. Beyond simple high-gain applications, the OPA4684 CFB_{PLUS} amplifier permits the gain setting element to be set with considerable freedom from amplifier bandwidth interaction. This allows frequency response peaking elements to be added, multiple input inverting summing circuits to have greater bandwidth, and low-power line drivers to meet the demanding requirements of studio cameras and broadcast video.

The output capability of the OPA4684 also sets a new mark in performance for low-power current-feedback amplifiers. Delivering a full ± 4 V_{p-p} swing on ± 5 V supplies, the OPA4684 also has the output current to support > ± 3 -V swing into 50 Ω . This minimal output headroom requirement is complemented by a similar 1.2-V input stage headroom giving exceptional capability for single +5V operation.

The OPA4684's low 6.8-mA supply current is precisely trimmed at 25°C. This trim, along with low shift over temperature and supply voltage, gives a very robust design over a wide range of operating conditions.



Please be aware that an important notice concerning availability, standard warranty, and use in critical applications of Texas Instruments semiconductor products and disclaimers thereto appears at the end of this data sheet.

PRODUCTION DATA information is current as of publication date. Products conform to specifications per the terms of Texas Instruments standard warranty. Production processing does not necessarily include testing of all parameters.

**TEXAS
INSTRUMENTS**

POST OFFICE BOX 655303 • DALLAS, TEXAS 75265

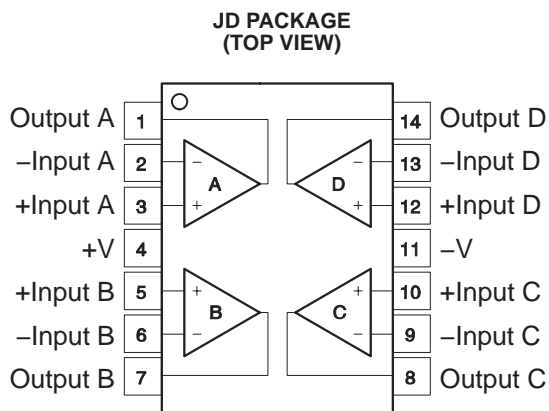
Copyright © 2003–2004 Texas Instruments Incorporated

OPA4684M

QUAD LOW-POWER CURRENT-FEEDBACK OPERATIONAL AMPLIFIER

SGLS145B – AUGUST 2003 – REVISED FEBRUARY 2004

pin assignments



ORDERING INFORMATION†

T _A	PACKAGE		ORDERABLE PART NUMBER	TOP-SIDE MARKING
-55°C to 125°C	CDIP - JD	Tube	OPA4684MJD	OPA4684MJD

† Package drawings, standard packing quantities, thermal data, symbolization, and PCB design guidelines are available at www.ti.com/sc/package.

OPA4684M
QUAD LOW-POWER CURRENT-FEEDBACK
OPERATIONAL AMPLIFIER

SGLS145B – AUGUST 2003 – REVISED FEBRUARY 2004

absolute maximum ratings over operating free-air temperature (unless otherwise noted)†

Power supply	±6.5 V
Internal power dissipation	See Thermal information
Differential input voltage, V_{ID}	±1.2 V
Input voltage range, V_I	± V_S
Operating free-air temperature range, T_A	–55°C to 125°C
Storage temperature range, T_{stg}	–65°C to 150°C
Lead temperature 1,6 mm (1/16 inch) from case for 10 seconds	300°C
Junction temperature, T_J	175°C
ESD rating: HBM	2 kV
CDM	1.5 kV

† Stresses beyond those listed under “absolute maximum ratings” may cause permanent damage to the device. These are stress ratings only, and functional operation of the device at these or any other conditions beyond those indicated under “recommended operating conditions” is not implied. Exposure to absolute-maximum-rated conditions for extended periods may affect device reliability.

recommended operating conditions

	MIN	NOM	MAX	UNIT
Operating voltage		±5	±6	V
Single-supply operating voltage		5	12	V
Operating free-air temperature	–55		125	°C

electrical characteristics, $V_S = \pm 5$ V, $R_F = 800 \Omega$, $R_L = 100 \Omega$, $G = +2$ (unless otherwise noted) (see Note 1)

PARAMETER	TEST CONDITIONS	MIN	TYP	MAX	UNIT
AC Performance (See Figure 41)					
Small signal bandwidth ($V_O = 0.5$ Vp-p)	$G = +1$, $R_F = 800 \Omega$		250		MHz
	$G = +5$, $R_F = 800 \Omega$		138		
	$G = +10$, $R_F = 800 \Omega$		120		
	$G = +20$, $R_F = 800 \Omega$		95		
Large signal bandwidth	$V_O = 4$ V, $G = +2$		90		MHz
Rise and fall time	$V_O = 0.5$ V step, $G = +2$		3		ns
	$V_O = 4$ V step, $G = +2$		6.8		
Differential gain	$V_O = 1.4$ V, $G = +2$, $R_L = 150 \Omega$, NTSC		0.04%		
Differential phase	$V_O = 1.4$ V, $G = +2$, $R_L = 150 \Omega$, NTSC		0.02°		
All hostile cross talk, input referred	3 channels driven at 5 MHz, $V_I = 1$ V, 4th channel measured		–52		dB



OPA4684M

QUAD LOW-POWER CURRENT-FEEDBACK OPERATIONAL AMPLIFIER

SGLS145B – AUGUST 2003 – REVISED FEBRUARY 2004

electrical characteristics, $V_S = \pm 5\text{ V}$, $R_F = 800\ \Omega$, $R_L = 100\ \Omega$, $G = +2$ (unless otherwise noted) (see Note 1)

PARAMETER	TEST CONDITIONS		MIN	TYP	MAX	UNIT
DC Performance (see Note 2)						
Open-loop transimpedance gain, Z_{OL}	$V_O = 0\text{ V}$, $R_L = 1\text{ k}\Omega$	$T_A = 25^\circ\text{C}$	160	355		$\text{k}\Omega$
		$T_A = -55^\circ\text{C}$ to 125°C	153			
Input offset voltage	$V_{CM} = 0\text{ V}$	$T_A = 25^\circ\text{C}$		± 1.5	± 4.0	mV
		$T_A = -55^\circ\text{C}$ to 85°C			± 5.0	
		$T_A = 125^\circ\text{C}$			± 6.0	
Non-inverting input bias current	$V_{CM} = 0\text{ V}$	$T_A = 25^\circ\text{C}$		± 5	± 13	μA
		$T_A = -55^\circ\text{C}$ to 85°C			± 15	
		$T_A = 125^\circ\text{C}$			± 17	
Inverting input bias current	$V_{CM} = 0\text{ V}$	$T_A = 25^\circ\text{C}$		± 5	± 17	μA
		$T_A = -55^\circ\text{C}$ to 85°C			± 19.5	
		$T_A = 125^\circ\text{C}$			± 21	
Input						
Common-mode input voltage range, CMIR (see Note 3)		$T_A = 25^\circ\text{C}$	± 3.65	± 3.75		V
		$T_A = -55^\circ\text{C}$ to 125°C	± 3.6			
Common-mode rejection ratio, CMRR	$V_{CM} = 0\text{ V}$	$T_A = 25^\circ\text{C}$	53	60		dB
		$T_A = -55^\circ\text{C}$ to 85°C	52			
		$T_A = 125^\circ\text{C}$	50			
Noninverting input impedance				50		$\text{k}\Omega$
				2		pF
Inverting input resistance, R_I	Open-loop, DC			4		Ω
Output						
Voltage output swing	1 $\text{k}\Omega$ load	$T_A = 25^\circ\text{C}$	± 3.9	± 4.1		V
		$T_A = -55^\circ\text{C}$ to 125°C	± 3.8			
Current output, sourcing	$V_O = 0\text{ V}$	$T_A = 25^\circ\text{C}$	120	160		mA
		$T_A = -55^\circ\text{C}$ to 125°C	110			
Current output, sinking	$V_O = 0\text{ V}$	$T_A = 25^\circ\text{C}$	-100	-120		mA
		$T_A = -55^\circ\text{C}$ to 125°C	-90			
Closed-loop output impedance	$G = +2$, $f = 100\text{ kHz}$			0.006		Ω
Power Supply						
Maximum quiescent current	$V_S = \pm 5\text{ V}$	$T_A = 25^\circ\text{C}$	6.4	6.8	7.2	mA
		$T_A = -55^\circ\text{C}$ to 85°C	5.8		7.8	
		$T_A = 125^\circ\text{C}$	5.2		7.8	
Power supply rejection ratio, -PSRR	Input referred	$T_A = 25^\circ\text{C}$		60		dB
		$T_A = -55^\circ\text{C}$ to 125°C		53		

- NOTES: 1. All typical limits are at $T_A = 25^\circ\text{C}$ unless otherwise specified. Junction temperature = ambient temperature for low temperature limits. Junction temperature = ambient temperature + 7°C at high temperature limit over temperature tested specifications.
 2. Current is considered positive out of node. V_{CM} is the input common-mode voltage.
 3. Tested < 3dB below minimum specified CMR at $\pm\text{CMIR}$ limits.



OPA4684M
QUAD LOW-POWER CURRENT-FEEDBACK
OPERATIONAL AMPLIFIER

SGLS145B – AUGUST 2003 – REVISED FEBRUARY 2004

electrical characteristics, $V_S = 5\text{ V}$, $R_F = 1\text{ k}\Omega$, $R_L = 100\ \Omega$, $G = +2$ (unless otherwise noted)

PARAMETER	TEST CONDITIONS	MIN	TYP	MAX	UNIT	
AC Performance (See Figure 41)						
Small signal bandwidth ($V_O = 0.5\text{ Vp-p}$)	$G = +1$, $R_F = 1.3\text{ k}\Omega$		140		MHz	
	$G = +10$, $R_F = 1.3\text{ k}\Omega$		90			
	$G = +20$, $R_F = 1.3\text{ k}\Omega$		75			
Large signal bandwidth	$V_O = 2\text{ V}$, $G = +2$		86		MHz	
Slew rate	$V_O = 0.5\text{ V step}$, $G = +2$		4.3		ns	
Rise and fall time	$V_O = 2\text{ V step}$, $G = +2$		5.3		ns	
Differential gain	$V_O = 1.4\text{ V}$, $G = +2$, $R_L = 150\ \Omega$, NTSC		0.04%			
Differential phase	$V_O = 1.4\text{ V}$, $G = +2$, $R_L = 150\ \Omega$, NTSC		0.07°			
All hostile cross talk, input referred	3 channels driven at 5 MHz, $V_I = 1\text{ V}$, 4th channel measured		-52		dB	
DC Performance (see Note 2)						
Open-loop transimpedance gain, Z_{OL}	$V_O = V_S/2$, $R_L = 1\text{ k}\Omega$ to $V_S/2$	$T_A = 25^\circ\text{C}$	160	355	k Ω	
		$T_A = -55^\circ\text{C}$ to 125°C	153			
Input offset voltage	$V_{CM} = V_S/2$	$T_A = 25^\circ\text{C}$		± 1	± 3.5	mV
		$T_A = -55^\circ\text{C}$ to 85°C			± 4.3	
		$T_A = 125^\circ\text{C}$			± 5.0	
Non-inverting input bias current	$V_{CM} = V_S/2$	$T_A = 25^\circ\text{C}$		± 5	± 13	μA
		$T_A = -55^\circ\text{C}$ to 125°C			± 15	
Inverting input bias current	$V_{CM} = V_S/2$	$T_A = 25^\circ\text{C}$		± 5	± 13	μA
		$T_A = -55^\circ\text{C}$ to 125°C			± 16	
Input						
Least positive input voltage (see Note 3)		$T_A = 25^\circ\text{C}$		1.25	1.32	V
		$T_A = -55^\circ\text{C}$ to 125°C			1.38	
Most positive input voltage (see Note 3)		$T_A = 25^\circ\text{C}$	3.68	3.75		V
		$T_A = -55^\circ\text{C}$ to 125°C	3.62			
Common-mode rejection ratio, CMRR	$V_{CM} = V_S/2$	$T_A = 25^\circ\text{C}$	51	58		dB
		$T_A = -55^\circ\text{C}$ to 85°C	50			
		$T_A = 125^\circ\text{C}$	49			
Noninverting input impedance				50		k Ω
				1		pF
Inverting input resistance, R_I	Open-loop			5		Ω
Output						
Most positive output voltage	$R_L = 1\text{ k}\Omega$ to $V_S/2$	$T_A = 25^\circ\text{C}$	3.9	4.10		V
		$T_A = -55^\circ\text{C}$ to 125°C	3.8			
Least positive output voltage	$R_L = 1\text{ k}\Omega$ to $V_S/2$	$T_A = 25^\circ\text{C}$		0.9	1.1	V
		$T_A = -55^\circ\text{C}$ to 125°C			1.2	
Current output, sourcing	$V_O = V_S/2$	$T_A = 25^\circ\text{C}$	62	80		mA
		$T_A = -55^\circ\text{C}$ to 125°C	55			
Current output, sinking	$V_O = V_S/2$	$T_A = 25^\circ\text{C}$	-52	-70		mA
		$T_A = -55^\circ\text{C}$ to 125°C	-45			
Closed-loop output impedance	$G = +2$, $f = 100\text{ kHz}$		0.006			Ω

OPA4684M QUAD LOW-POWER CURRENT-FEEDBACK OPERATIONAL AMPLIFIER

SGLS145B – AUGUST 2003 – REVISED FEBRUARY 2004

electrical characteristics, $V_S = 5\text{ V}$, $R_F = 1\text{ k}\Omega$, $R_L = 100\ \Omega$, $G = +2$ (unless otherwise noted)

PARAMETER	TEST CONDITIONS	MIN	TYP	MAX	UNIT	
Power Supply						
Quiescent current range	$V_S = 5\text{ V}$	$T_A = 25^\circ\text{C}$	5.2	5.8	6.2	mA
		$T_A = -55^\circ\text{C}$ to 85°C	4.6		6.2	
		$T_A = 125^\circ\text{C}$	4.2		6.2	
Power supply rejection ratio, +PSRR	Input referred		58		dB	

- NOTES: 1. All typical limits are at $T_A = 25^\circ\text{C}$ unless otherwise specified. Junction temperature = ambient temperature for low temperature limits. Junction temperature = ambient temperature + 3°C at high temperature limit for over temperature tested specifications.
 2. Current is considered positive out of node. VCM is the input common-mode voltage.
 3. Tested < 3dB below minimum specified CMR at $\pm\text{CMIR}$ limits.

TYPICAL CHARACTERISTICS

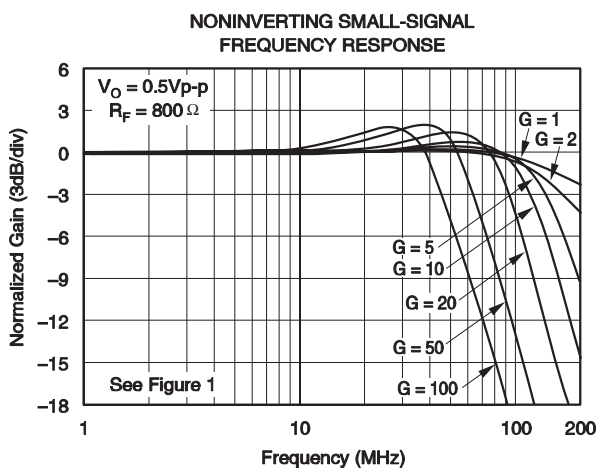


Figure 1

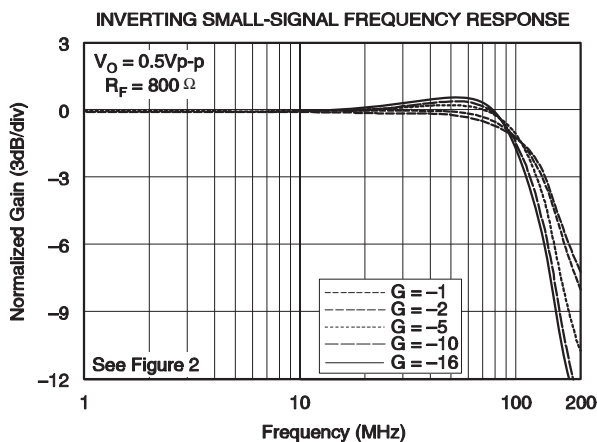


Figure 2

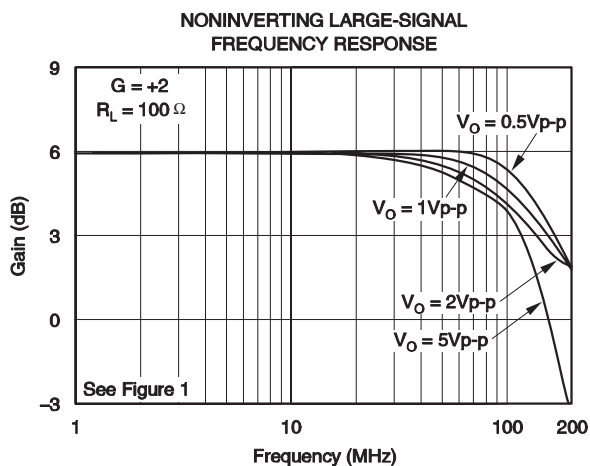


Figure 3

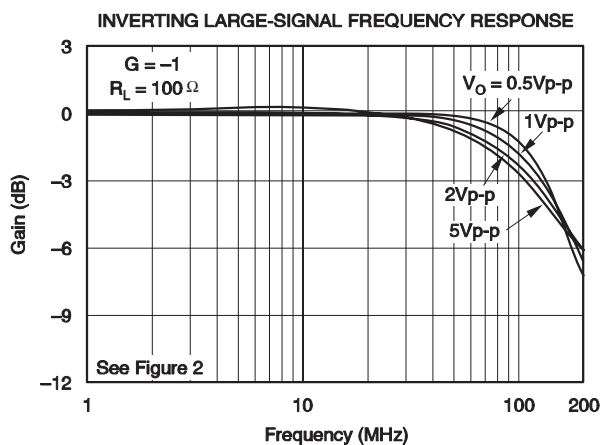


Figure 4



TYPICAL CHARACTERISTICS

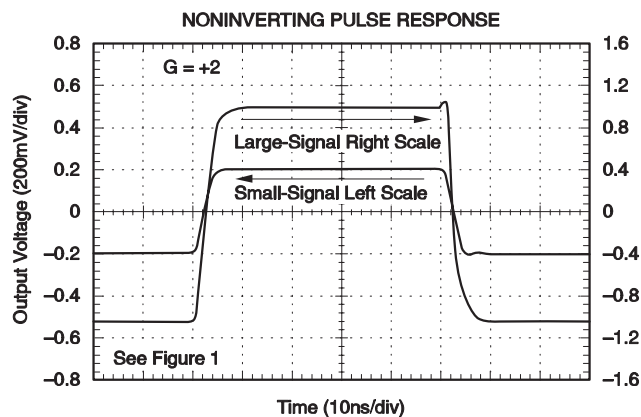


Figure 5

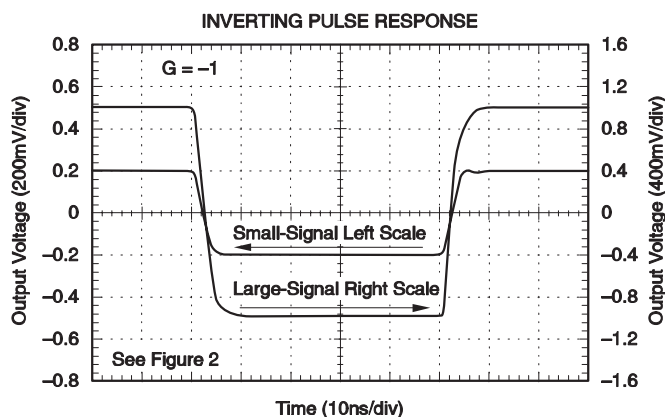


Figure 6

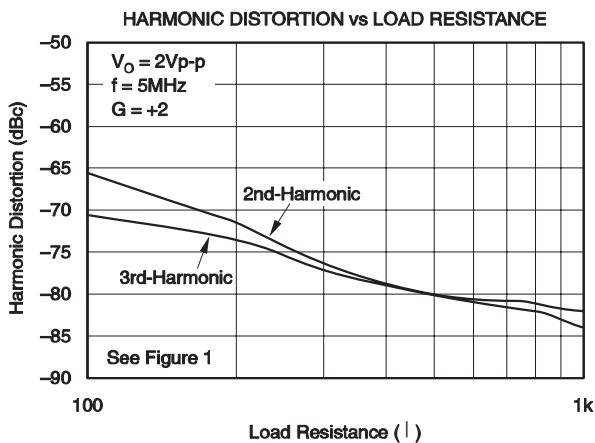


Figure 7

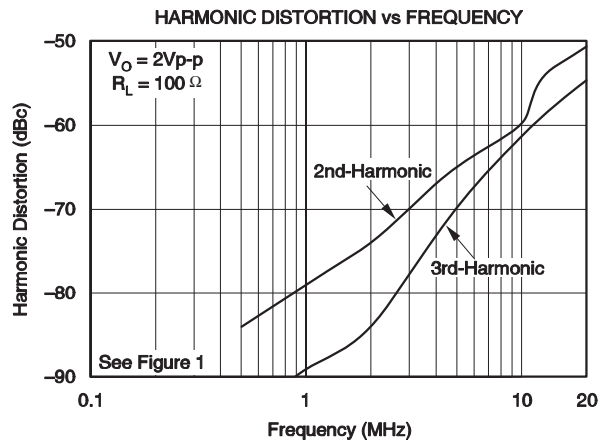


Figure 8

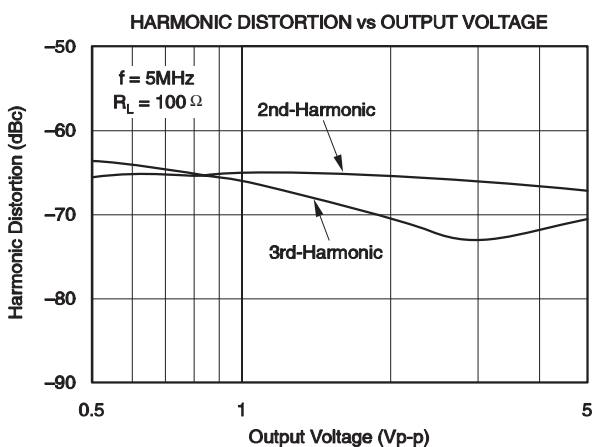


Figure 9

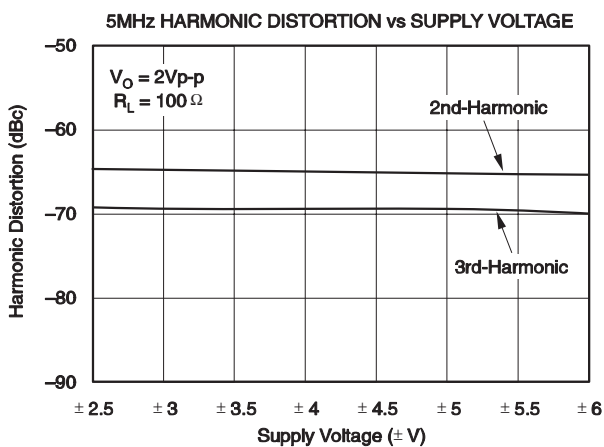


Figure 10

OPA4684M

QUAD LOW-POWER CURRENT-FEEDBACK OPERATIONAL AMPLIFIER

SGLS145B – AUGUST 2003 – REVISED FEBRUARY 2004

TYPICAL CHARACTERISTICS

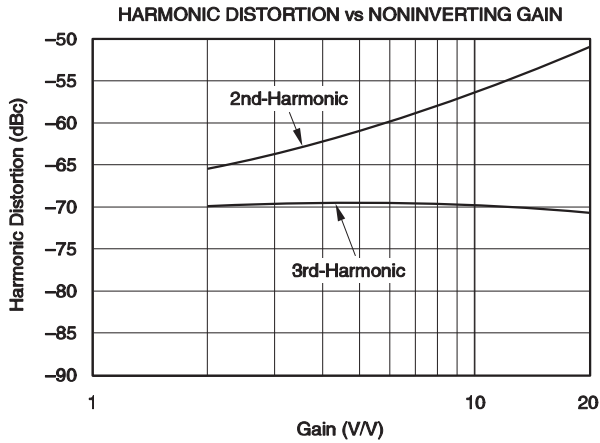


Figure 11

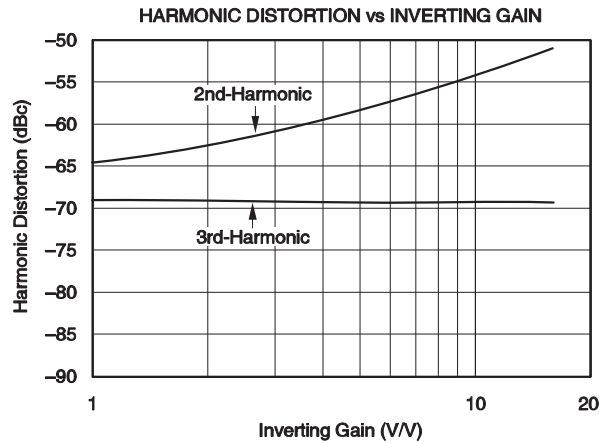


Figure 12

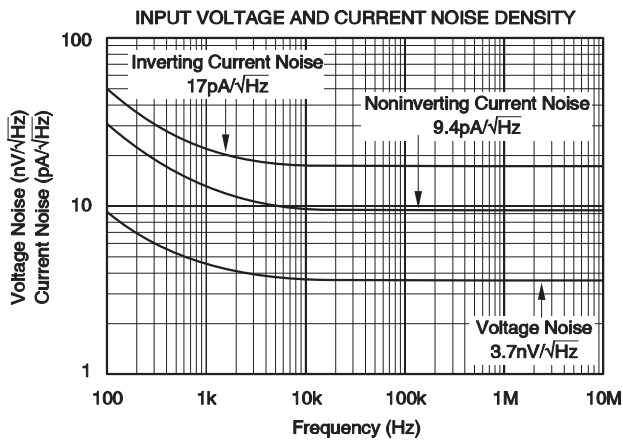


Figure 13

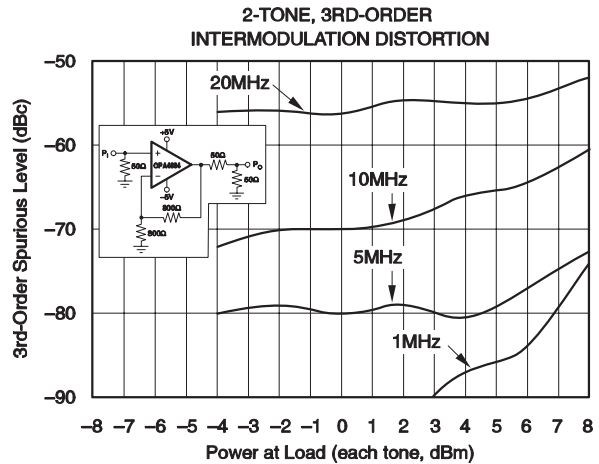


Figure 14

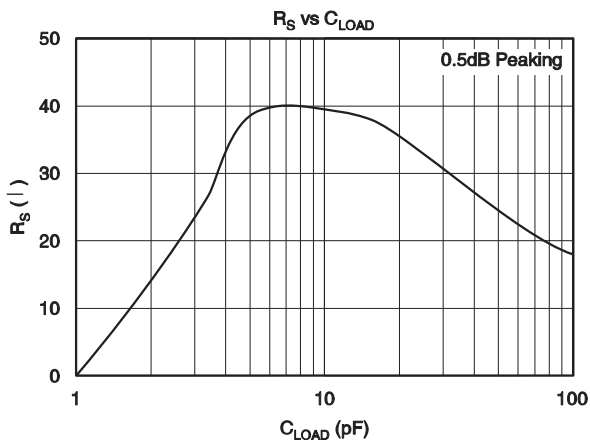


Figure 15

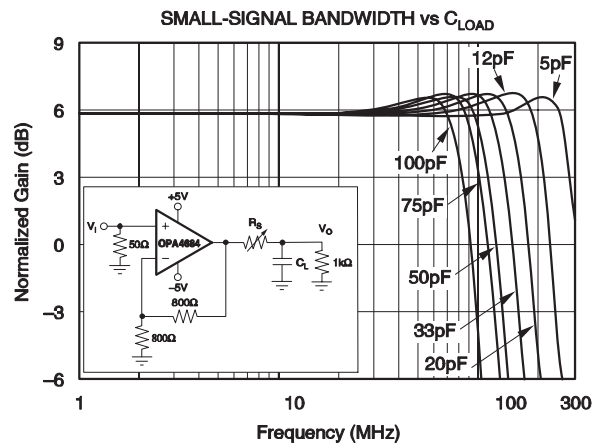


Figure 16

TYPICAL CHARACTERISTICS

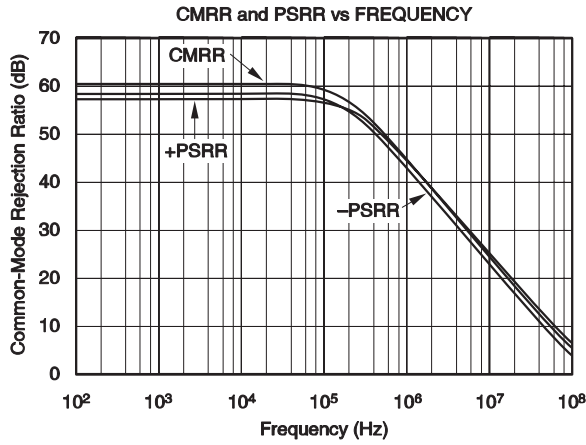


Figure 17

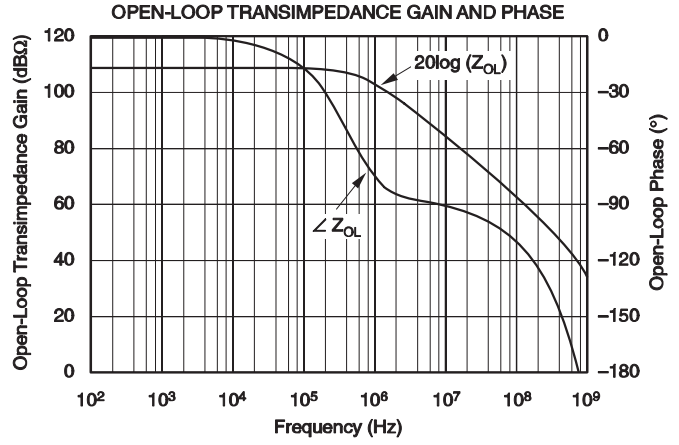


Figure 18

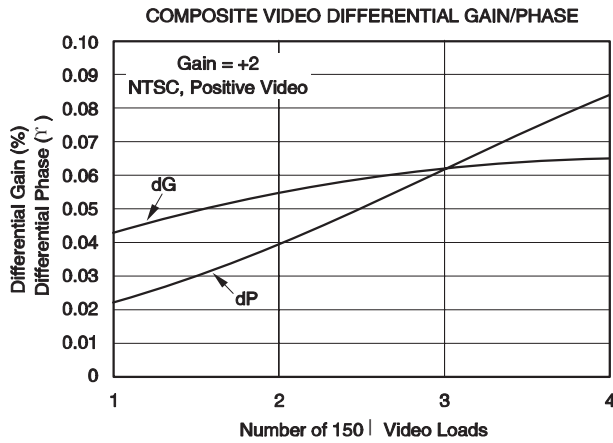


Figure 19

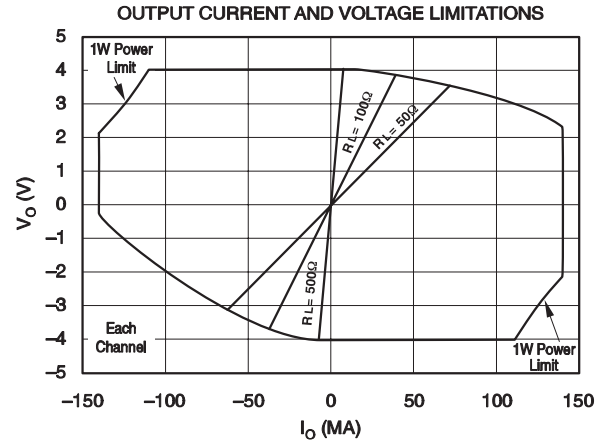


Figure 20

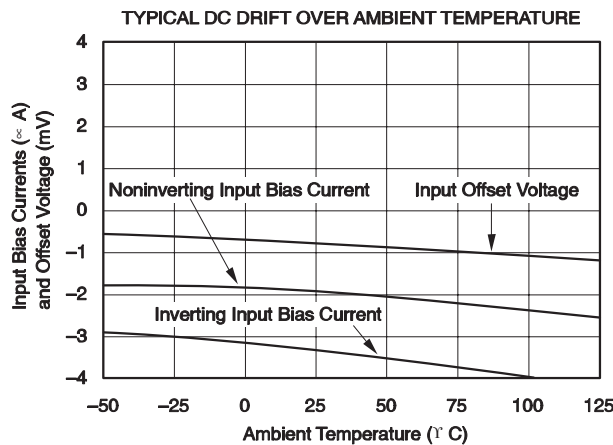


Figure 21

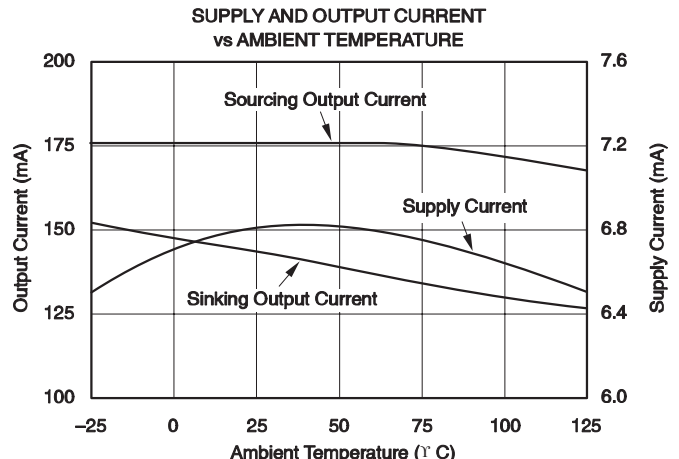


Figure 22

OPA4684M QUAD LOW-POWER CURRENT-FEEDBACK OPERATIONAL AMPLIFIER

SGLS145B – AUGUST 2003 – REVISED FEBRUARY 2004

TYPICAL CHARACTERISTICS

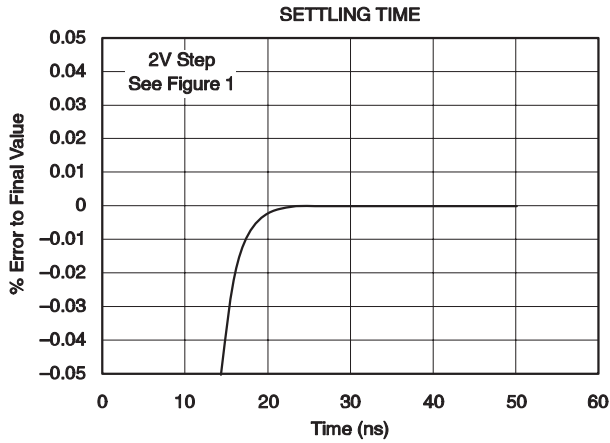


Figure 23

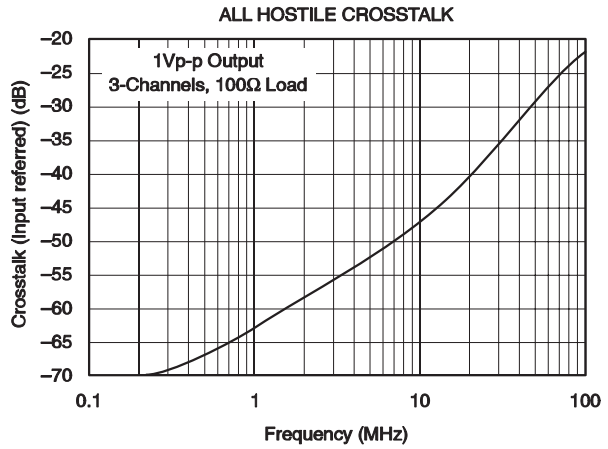


Figure 24

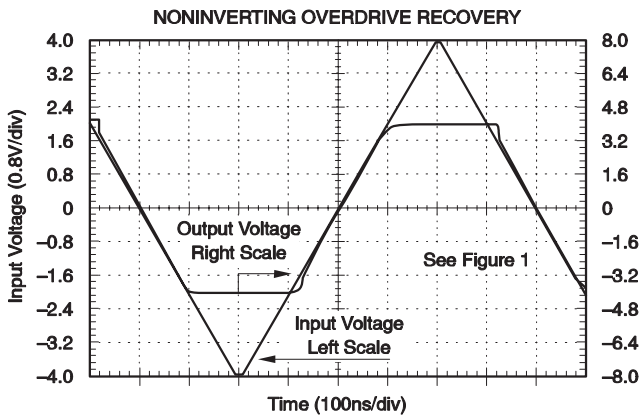


Figure 25

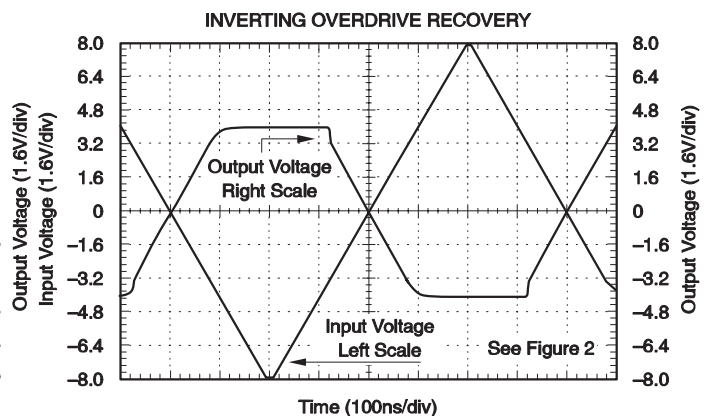


Figure 26

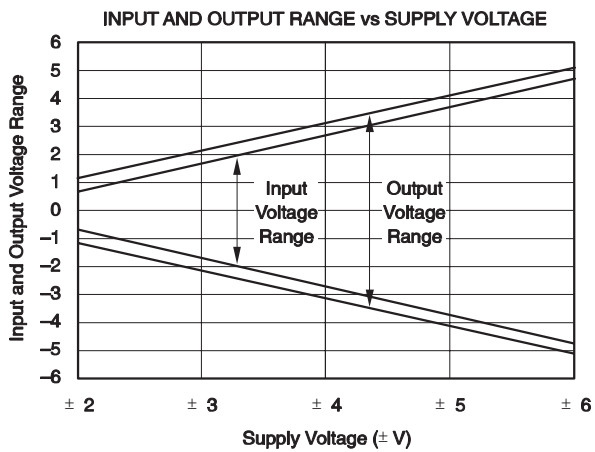


Figure 27

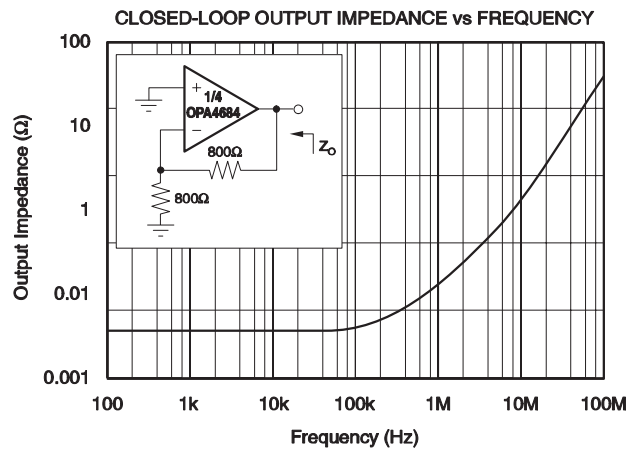
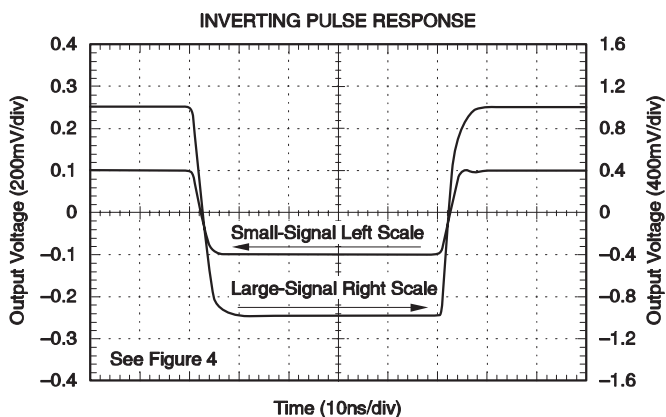
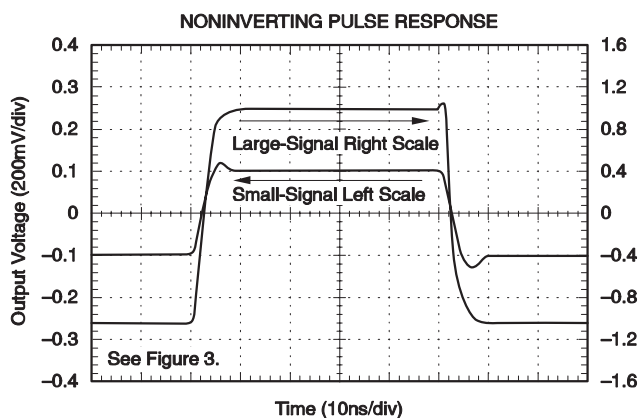
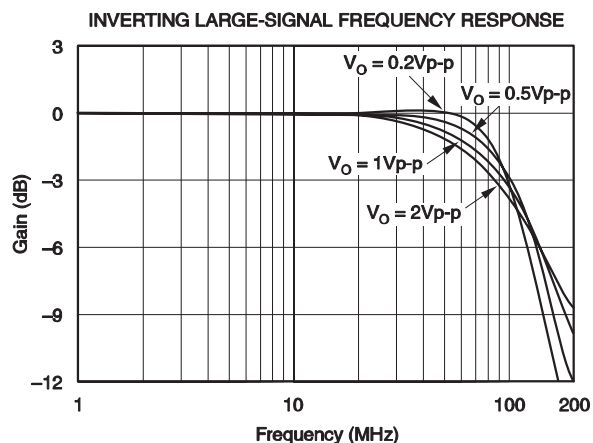
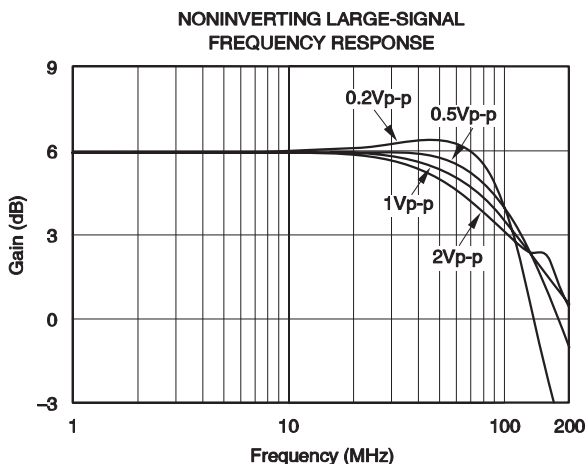
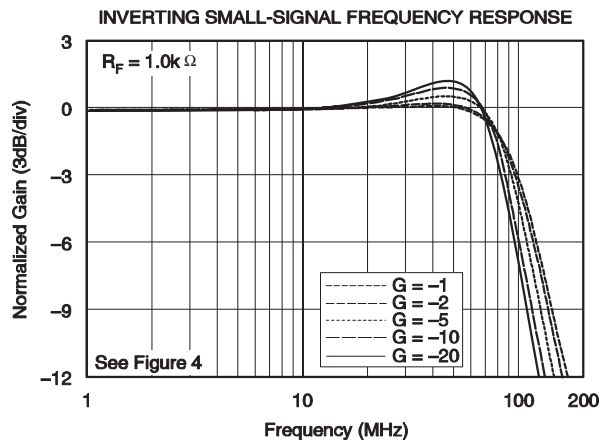
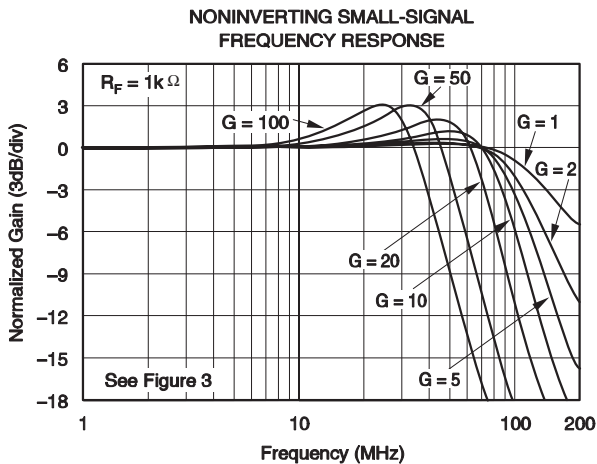


Figure 28

TYPICAL CHARACTERISTICS



OPA4684M QUAD LOW-POWER CURRENT-FEEDBACK OPERATIONAL AMPLIFIER

SGLS145B – AUGUST 2003 – REVISED FEBRUARY 2004

TYPICAL CHARACTERISTICS

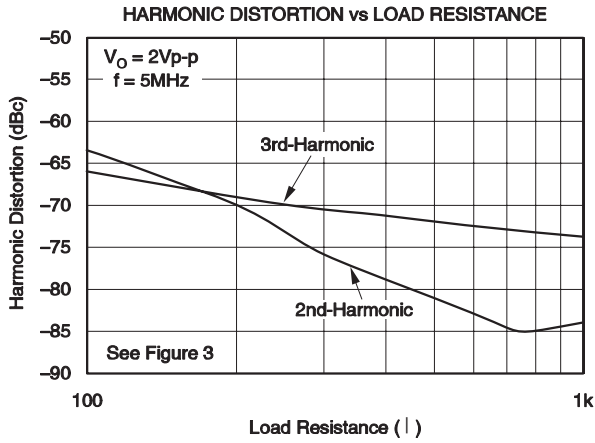


Figure 35

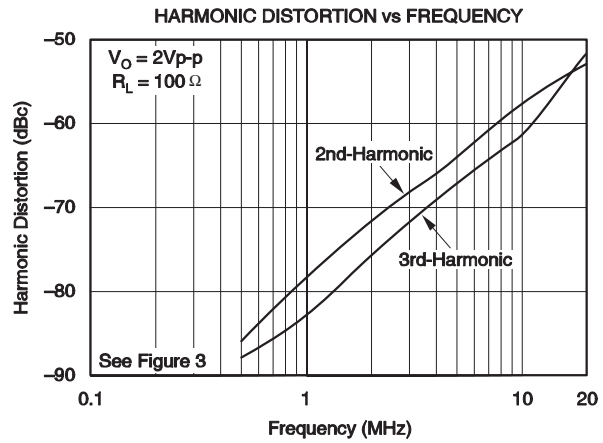


Figure 36

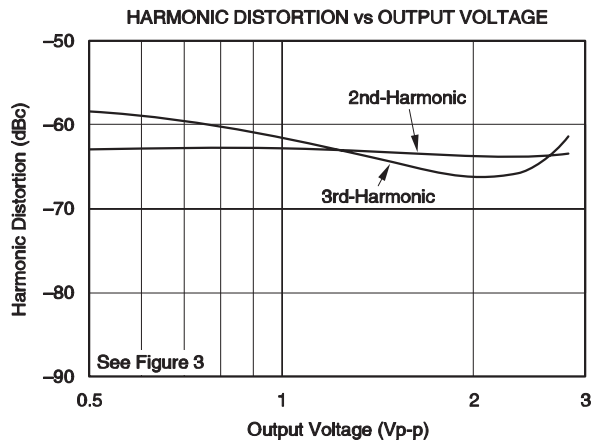


Figure 37

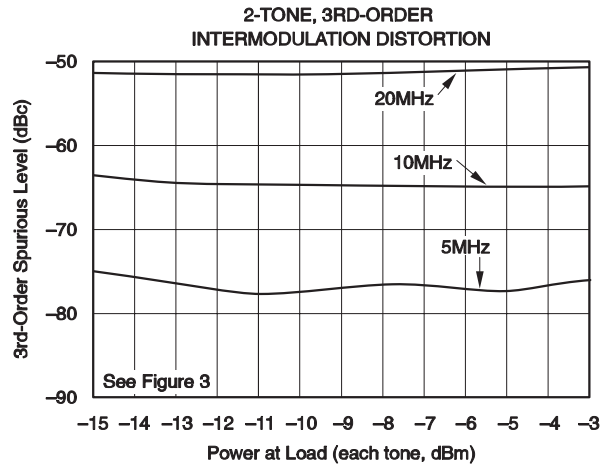


Figure 38

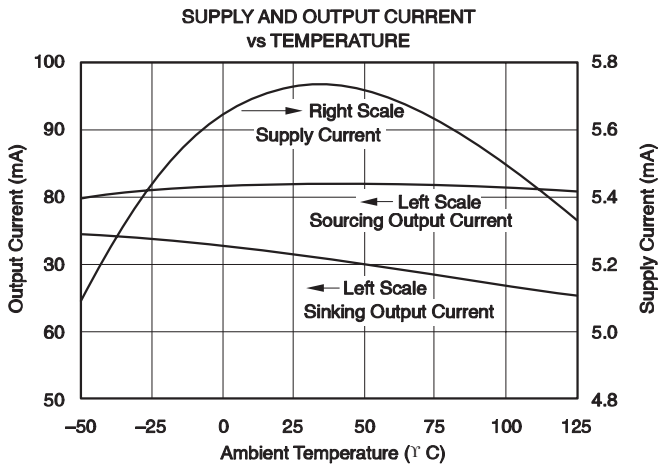


Figure 39

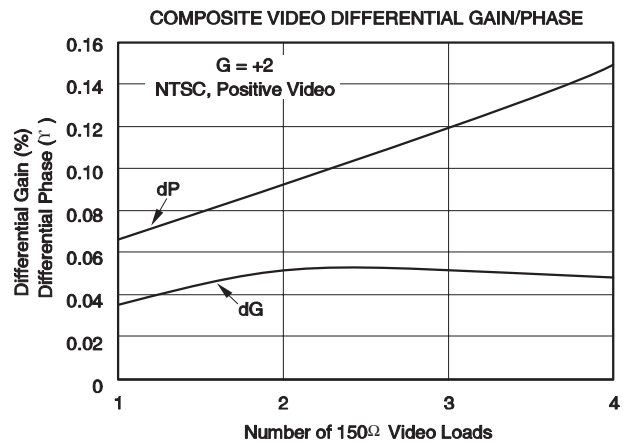


Figure 40



APPLICATION INFORMATION

low-power current-feedback operation

The quad-channel OPA4684 gives a new level of performance in low-power current-feedback op amps. Using a new input stage buffer architecture, the OPA4684 CFB_{PLUS} amplifier holds nearly constant AC performance over a wide gain range. This closed-loop internal buffer gives a very low and linearized impedance at the inverting node, isolating the amplifier's AC performance from gain element variations. This allows both the bandwidth and distortion to remain nearly constant over gain, moving closer to the ideal current feedback performance of gain bandwidth independence. This low-power amplifier also delivers exceptional output power—it's $\pm 4V$ swing on $\pm 5V$ supplies with $> 100\text{-mA}$ output drive gives excellent performance into standard video loads or doubly-terminated $50\text{-}\Omega$ cables. Single $+5V$ supply operation is also supported with similar bandwidths but with reduced output power capability. For lower quiescent power in a CFB_{PLUS} amplifier, consider the OPA683 family; while for higher output power, consider the OPA691 family.

Figure 41 shows the DC-coupled, gain of $+2$, dual power-supply circuit used as the basis of the $\pm 5V$ Electrical and Typical Characteristics for each channel. For test purposes, the input impedance is set to $50\ \Omega$ with a resistor to ground and the output impedance is set to $50\ \Omega$ with a series output resistor. Voltage swings reported in the Electrical Characteristics are taken directly at the input and output pins while load powers (dBm) are defined at a matched $50\text{-}\Omega$ load. For the circuit of Figure 41, the total effective load will be $100\ \Omega \parallel 1600\ \Omega = 94\ \Omega$. Gain changes are most easily accomplished by simply resetting the R_G value, holding R_F constant at its recommended value of $800\ \Omega$.

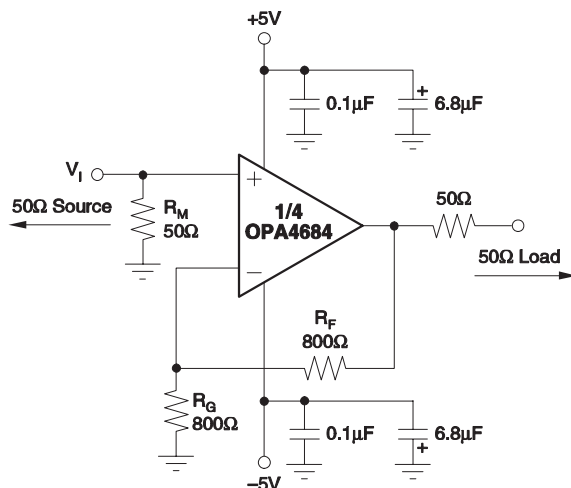


Figure 41. DC-Coupled, $G = +2V/V$, Bipolar Supply Specifications and Test Circuit

Figure 42 shows the DC-coupled, gain of $-1V/V$, dual power-supply circuit used as the basis of the inverting typical characteristics for each channel. Inverting operation offers several performance benefits. Since there is no common-mode signal across the input stage, the slew rate for inverting operation is typically higher and the distortion performance is slightly improved. An additional input resistor, R_M , is included in Figure 42 to set the input impedance equal to $50\ \Omega$. The parallel combination of R_M and R_G set the input impedance. As the desired gain increases for the inverting configuration, R_G is adjusted to achieved the desired gain, while R_M is also adjusted to hold a $50\text{-}\Omega$ input match. A point will be reached where R_G will equal $50\ \Omega$, R_M is removed, and the input match is set by R_G only. With R_G fixed to achieve an input match to $50\ \Omega$, increasing R_F will increase the gain. This will, however, quickly reduce the achievable bandwidth as the feedback resistor increases from its recommended value of $800\ \Omega$. If the source does not require an input match to $50\ \Omega$, either adjust R_M to get the desired load, or remove it and let the R_G resistor alone provide the input load.

OPA4684M

QUAD LOW-POWER CURRENT-FEEDBACK OPERATIONAL AMPLIFIER

SGLS145B – AUGUST 2003 – REVISED FEBRUARY 2004

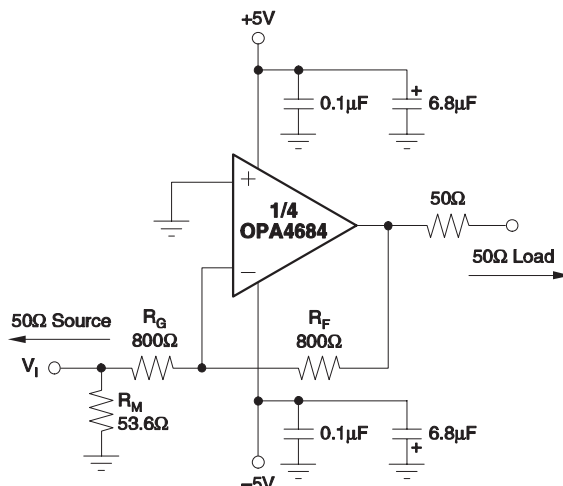


Figure 42. DC-Coupled, $G = -1V/V$, Bipolar Supply Specifications and Test Circuit

These circuits show $\pm 5V$ operation. The same circuits can be applied with bipolar supplies from $\pm 2.5V$ to $\pm 6V$. Internal supply independent biasing gives nearly the same performance for the OPA4684 over this wide range of supplies. Generally, the optimum feedback resistor value (for nominally flat frequency response at $G = +2$) will increase in value as the total supply voltage across the OPA4684 is reduced.

See Figure 43 for the AC-coupled, single +5V supply, gain of $+2V/V$ circuit configuration used as a basis for the +5V only Electrical and Typical Characteristics for each channel. The key requirement of broadband single-supply operation is to maintain input and output signal swings within the usable voltage ranges at both the input and the output. The circuit of Figure 43 establishes an input midpoint bias using a simple resistive divider from the +5V supply (two 10-k Ω resistors) to the noninverting input. The input signal is then AC-coupled into this midpoint voltage bias. The input voltage can swing to within 1.25 V of either supply pin, giving a 2.5-V_{p-p} input signal range centered between the supply pins. The input impedance of Figure 43 is set to give a 50- Ω input match. If the source does not require a 50- Ω match, remove this and drive directly into the blocking capacitor. The source will then see the 5-k Ω load of the biasing network as a load. The gain resistor (R_G) is AC-coupled, giving the circuit a DC gain of +1, which puts the noninverting input DC bias voltage (2.5 V) on the output as well. The feedback resistor value has been adjusted from the bipolar $\pm 5V$ supply condition to re-optimize for a flat frequency response in +5V only, gain of +2, operation. On a single +5V supply, the output voltage can swing to within 1.0 V of either supply pin while delivering more than 70-mA output current—easily giving a 3-V_{p-p} output swing into 100 Ω (8dBm maximum at the matched 50- Ω load). The circuit of Figure 43 shows a blocking capacitor driving into a 50- Ω output resistor, then into a 50- Ω load. Alternatively, the blocking capacitor could be removed if the load is tied to a supply midpoint or to ground if the DC current required by the load is acceptable.

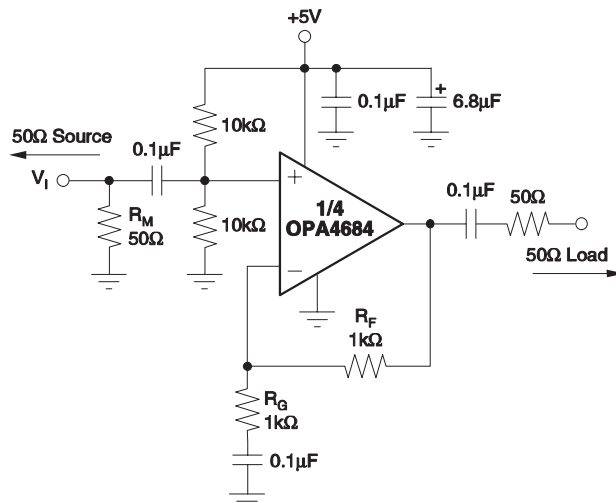


Figure 43. AC-Coupled, $G = +2V/V$, Single-Supply Specifications and Test Circuit

Figure 44 shows the AC-coupled, single +5-V supply, gain of $-1V/V$ circuit configuration used as a basis for the inverting +5 V only Typical Characteristics for each channel. In this case, the midpoint DC bias on the noninverting input is also decoupled with an additional $0.1\text{-}\mu\text{F}$ capacitor. This reduces the source impedance at higher frequencies for the noninverting input bias current noise. This 2.5-V bias on the noninverting input pin appears on the inverting input pin and, since R_G is DC-blocked by the input capacitor, will also appear at the output pin. One advantage to inverting operation is that since there is no signal swing across the input stage, higher slew rates and operation to even lower supply voltages is possible. To retain a $1\text{-V}_{\text{p-p}}$ output capability, operation down to a 3-V supply is allowed. At a +3-V supply, the input stage is saturated, but for the inverting configuration of a current-feedback amplifier, wideband operation is retained even under this condition.

The circuits of Figures 43 and 44 show single-supply operation at +5 V. These same circuits may be used up to single supplies of +12 V with minimal change in the performance of the OPA4684.

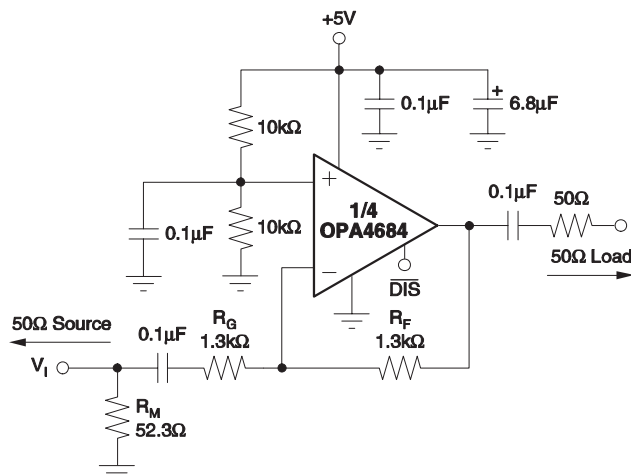


Figure 44. AC-Coupled, $G = -1V/V$, Single-Supply Specifications and Test Circuit

OPA4684M

QUAD LOW-POWER CURRENT-FEEDBACK OPERATIONAL AMPLIFIER

SGLS145B – AUGUST 2003 – REVISED FEBRUARY 2004

differential interface applications

Dual and quad op amps are particularly suitable to differential input to differential output applications. Typically, these fall into either ADC input interface or line driver applications. Two basic approaches to differential I/O are noninverting or inverting configurations. Since the output is differential, the signal polarity is somewhat meaningless—the noninverting and inverting terminology applies here to where the input is brought into the OPA4684. Each has its advantages and disadvantages. Figure 45 shows a basic starting point for noninverting differential I/O applications.

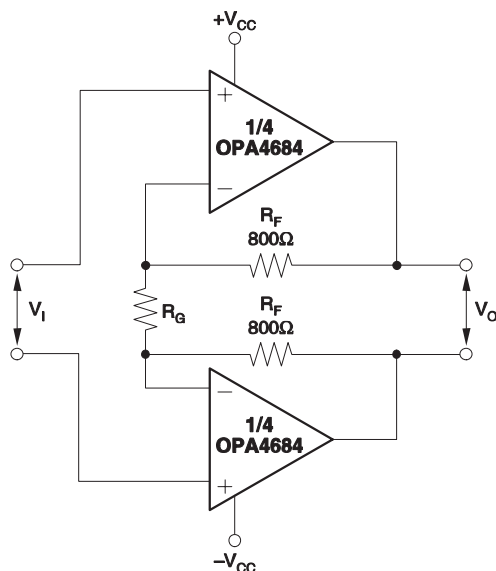


Figure 45. Noninverting Differential I/O Amplifier

This approach provides for a source termination impedance that is independent of the signal gain. For instance, simple differential filters may be included in the signal path right up to the noninverting inputs without interacting with the amplifier gain. The differential signal gain for the circuit of Figure 45 is:

$$\frac{V_O}{V_I} = A_D = 1 + 2 \times \frac{R_F}{R_G}$$

Since the OPA4684 is a CFB_{PLUS} amplifier, its bandwidth is principally controlled with the feedback resistor value; Figure 45 shows the recommended value of 800Ω . However, the gain may be adjusted with considerable freedom using just the R_G resistor. In fact, R_G may be a reactive network providing a very isolated shaping to the differential frequency response. Since the inverting inputs of the OPA4684 are very low impedance closed-loop buffer outputs, the R_G element does not interact with the amplifier's bandwidth—wide ranges of resistor values and/or filter elements may be inserted here with minimal amplifier bandwidth interaction.

Various combinations of single-supply or AC-coupled gains can also be delivered using the basic circuit of Figure 45. Common-mode bias voltages on the two noninverting inputs pass on to the output with a gain of 1 since an equal DC voltage at each inverting node creates no current through R_G , giving that voltage a common-mode gain of 1 to the output.

Figure 46 shows a differential I/O stage configured as an inverting amplifier. In this case, the gain resistors (R_G) become the input resistance for the source. This provides a better noise performance than the noninverting configuration but does limit the flexibility in setting the input impedance separately from the gain.

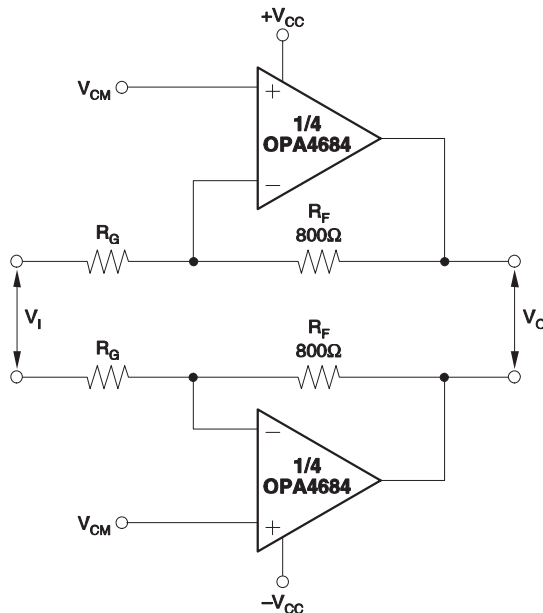


Figure 46. Inverting Differential I/O Amplifier

The two noninverting inputs provide an easy common-mode control input. This is particularly useful if the source is AC-coupled through either blocking caps or a transformer. In either case, the common-mode input voltages on the two noninverting inputs again have a gain of 1 to the output pins, giving an easy common-mode control for single-supply operation. The OPA4684 used in this configuration does constrain the feedback to the 800 Ω region for best frequency response. With R_F fixed, the input resistors may be adjusted to the desired gain but will also be changing the input impedance as well. The differential gain for this circuit is:

$$\frac{V_O}{V_I} = -\frac{R_F}{R_G}$$

low-power video line driver applications

For low-power, video line driving, the OPA4684 provides the output current and linearity to support 4 channels of either single video lines, or up to 4 video lines in parallel on each output. Figure 47 shows a typical $\pm 5V$ supply video line driver application where only one channel is shown and only a single line is being driven. The improved 2nd-harmonic distortion of the CFB_{PLUS} architecture, along with the OPA684's high output current and voltage, gives exceptional differential gain and phase performance for a low-power solution. As the Typical Characteristics show, a single video load shows a dG/dP of 0.04%/0.02°. Multiple loads may be driven on each output, with minimal x-talk, while the dG/dP is still < 0.1%/0.1° for up to 4 parallel video loads.

OPA4684M

QUAD LOW-POWER CURRENT-FEEDBACK OPERATIONAL AMPLIFIER

SGLS145B – AUGUST 2003 – REVISED FEBRUARY 2004

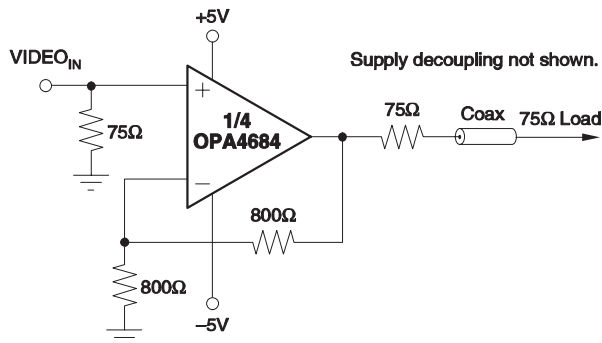


Figure 47. Gain of +2 Video Cable Driver

dc-coupled single-to-differential conversion

The previous differential output circuits were set up to receive a differential input as well as provide a differential output. Figure 48 shows one way to provide a single to differential conversion, with DC coupling, and independent output common-mode control using a quad op amp.

The circuit of Figure 48 provides several useful features for isolating the input signal from the final outputs. Using the first amplifier as a simple noninverting stage gives an independent adjustment on R_1 (to set the source loading) while the gain can be easily adjusting in this stage using the R_G resistor. Bandwidth is relatively independent of gain setting in the OPA4684. The next stage allows a separate output common-mode level to be set up. The desired output common-mode voltage, V_{CM1} , is cut in half and applied to the noninverting input of the 2nd stage. The signal path in this stage sees a gain of -1 while this $(1/2 \times V_{CM1})$ voltage sees a gain of $+2$. The output of this 2nd stage is then the original common-mode voltage plus the inverted signal from the output of the first stage. The output of this 2nd stage then appears directly at the output of the noninverting final stage. The inverting node of the inverting output stage is also biased to the common-mode voltage, equal to the common-mode voltage appearing at the output of the 2nd stage, creating no current flow and placing the desired V_{CM1} at the output of this stage as well.

low-power, differential I/O, 4th-order active filter

The OPA4684 can give a very capable gain block for low-power active filters. The quad design lends itself very well to differential active filters. Where the filter topology is looking for a simple gain function to implement the filter, the noninverting configuration is preferred to isolate the filter elements from the gain elements in the design. Figure 49 shows an example of a very low-power, 10-MHz, 4th-order Butterworth, low-pass Sallen-Key filter. Often, these filters are designed at an amplifier gain of 1 to minimize amplifier bandwidth interaction with the desired filter shape. Since the OPA4684 shows minimal bandwidth change with gain, this would not be a constraint in this design. The example of Figure 49 designs the filter for a differential gain of 4 in each differential stage. This DC-coupled design gives a signal gain of 16 V/V in the passband with a f_{-3dB} at 10 MHz. The design places the higher Q stage first to allow the lower Q 2nd stage to roll off the peaked noise of the first stage. The resistor values have been adjusted slightly to account for the amplifier group delay.

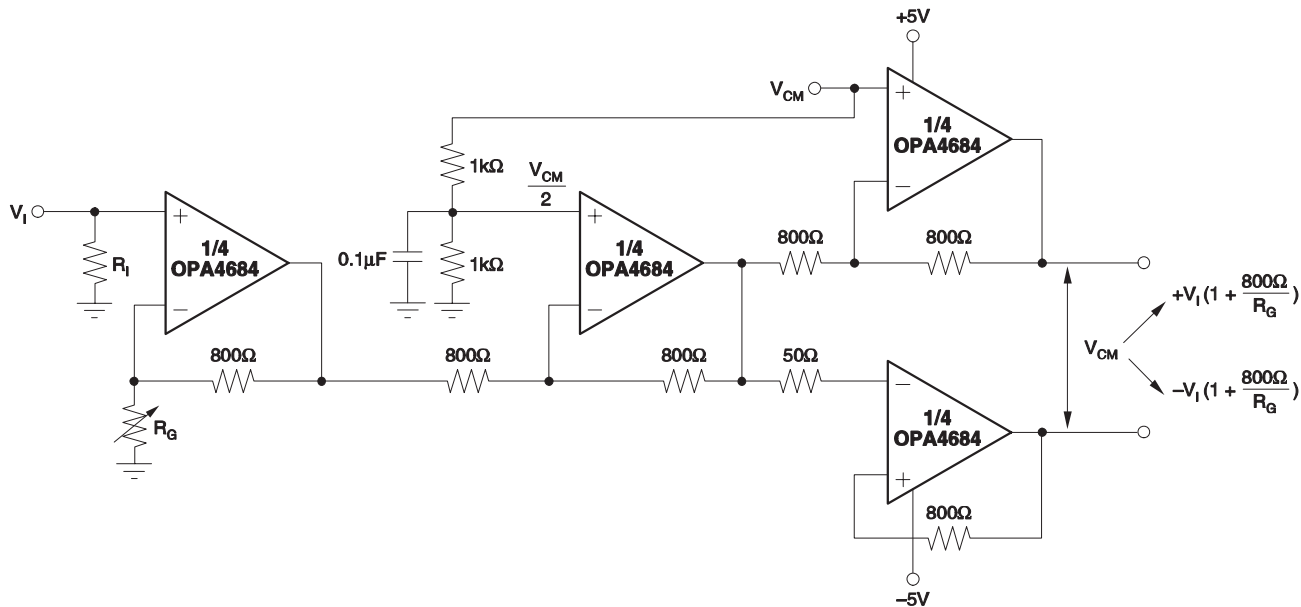


Figure 48. High Gain, DC-Coupled, Single to Differential Conversion

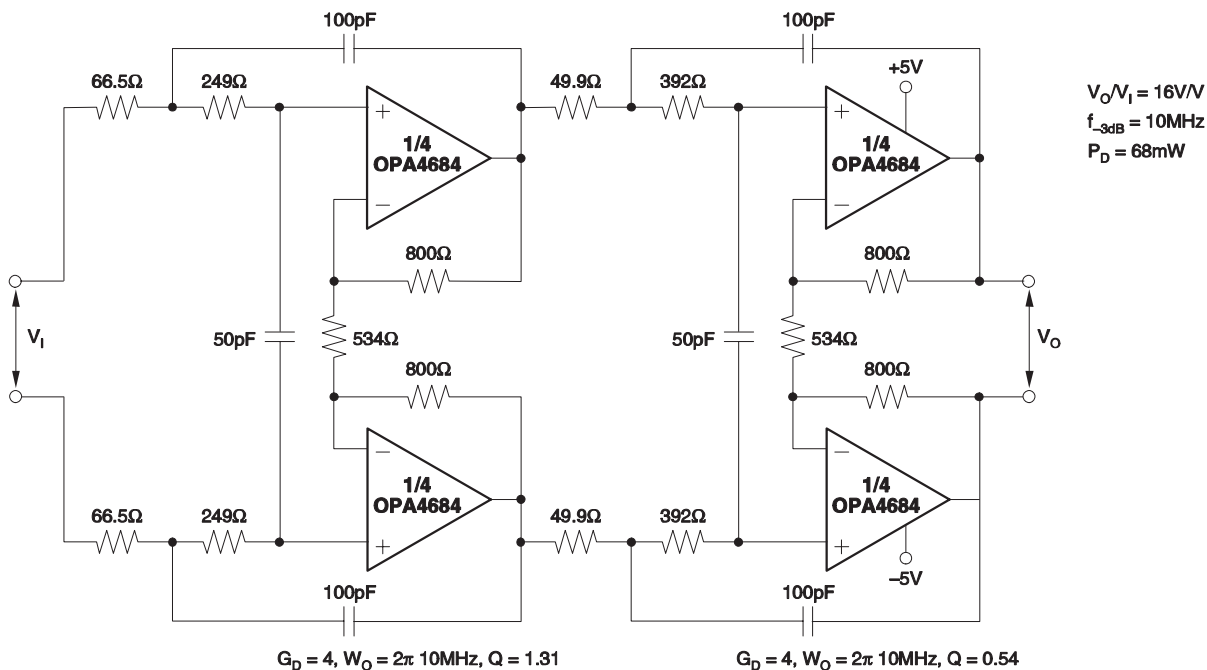


Figure 49. Low-Power, Differential I/O, 4th-Order Butterworth Active Filter

While this circuit is bipolar, using $\pm 5\text{-V}$ supplies, it can easily be adapted to single-supply operation. This is typically done by providing a supply midpoint reference at the noninverting inputs then adding DC-blocking caps at each input and in series with the amplifier gain resistor, R_G . This will add two real zeroes in the response, transforming this circuit into a bandpass. Figure 50 shows the frequency response for the filter of Figure 49.

OPA4684M

QUAD LOW-POWER CURRENT-FEEDBACK OPERATIONAL AMPLIFIER

SGLS145B – AUGUST 2003 – REVISED FEBRUARY 2004

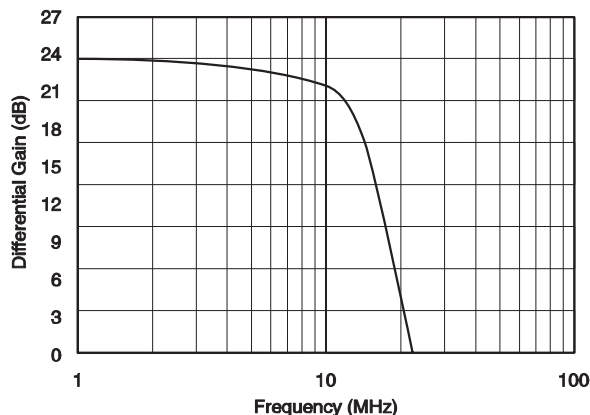


Figure 50. Low-Power, Differential 4th-Order, 100MHz Butterworth

low-power DSL transceiver interface

With four amplifiers available, the quad OPA4684 can meet the needs for both differential driver and receiver in a low-power xDSL line interface design. Figure 51 shows a simplified design example. Two amplifiers are used as a noninverting differential driver while the other two implement the driver echo cancellation and receiver amplifier function. This example shows a single +12V design where the drive side is taking a 2-V_{p-p} maximum input from the transmit filter and providing a differential gain of 7, giving a maximum 14-V_{p-p} differential output swing. This is coupled through 50-Ω matching resistors and a 1:1 transformer to give a maximum 7 V_{p-p} on a 100-Ω line. This 7 V_{p-p} corresponds to a 10-dBm line power with a 3.5 crest factor.

The differential receiver is configured as an inverting summing stage where the outputs of the driver are cancelled prior to appearing at the output of the receive amplifiers. This is done by summing the output voltages for the drive amplifiers and their attenuated and inverted levels (at the transformer input) into the inverting inputs of each receiver amplifier. The resistor values are set in Figure 51 to give perfect drive signal cancellation if the drive signal is attenuated by 1/2 going from the drive amplifier outputs to the transformer input. The signal received through the transformer has a gain of 1 through the receive amplifiers. Higher gain could easily be provided by scaling the resistors summing into the inverting inputs of the receiver amplifiers down while keeping the same ratio between them.

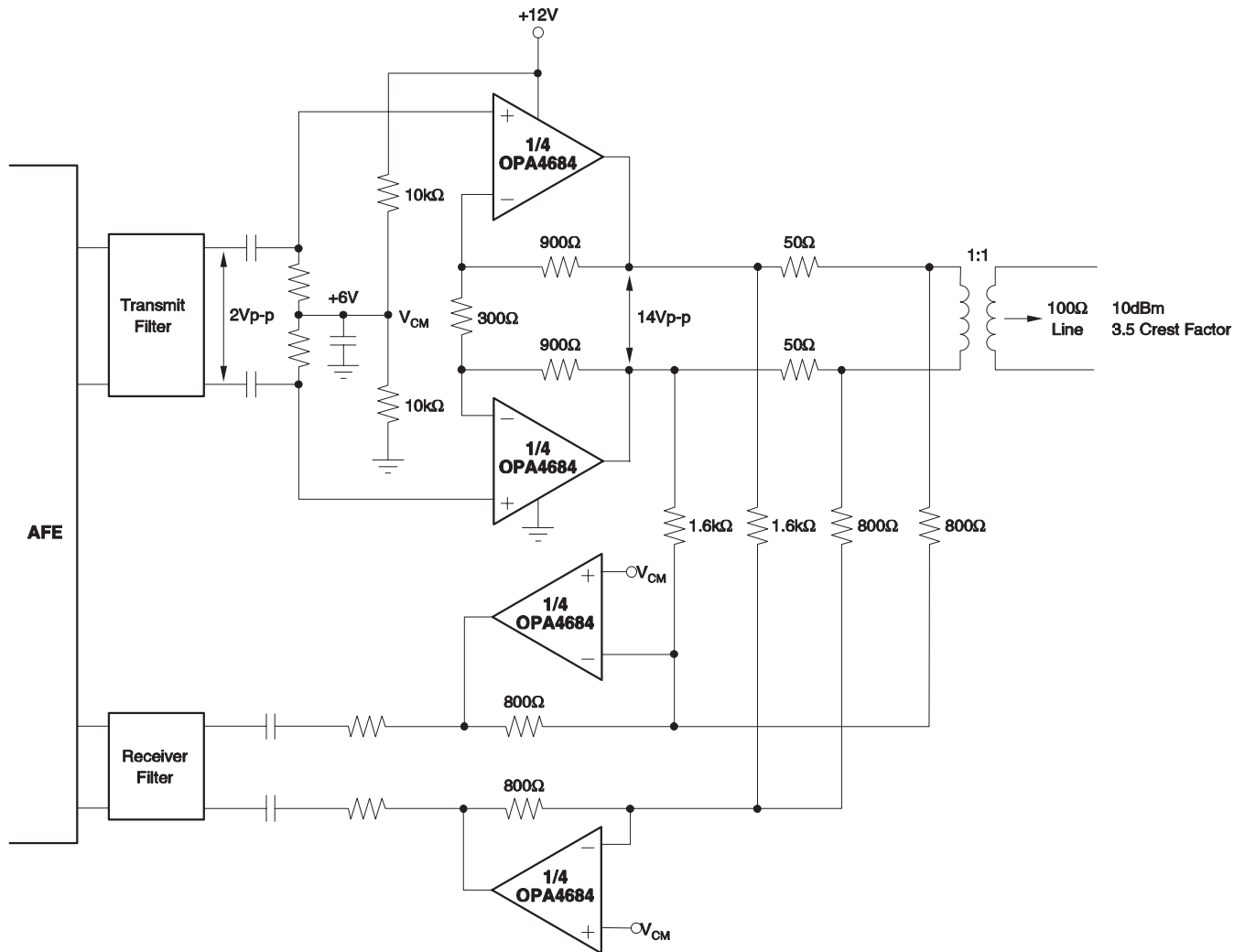


Figure 51. Low-Power, XDSL Transceiver Design.

dual-channel, differential ADC driver

Where a low-power, single-supply, interface to a differential input +5-V ADC is required, the circuit of Figure 52 can provide a high dynamic range, medium gain interface for dual high-performance ADCs. The circuit of Figure 52 uses two amplifiers in the differential inverting configuration. The common-mode voltage is set on the noninverting inputs to the supply midscale. In this example, the input signal is coupled in through a 1:2 transformer. This provides both signal gain, single to differential conversion, and a reduction in noise figure. To show a 50-Ω input impedance at the input to the transformer, two 200-Ω resistors are required on the transformer secondary. These two resistors are also the amplifier gain elements. Since the same DC voltage appears on both inverting nodes in the circuit of Figure 52, no DC current will flow through the transformer, giving a DC gain of 1 to the output for this common-mode voltage, V_{CM} .

The circuit of Figure 52 is particularly suitable for a moderate resolution dual ADC used as I/Q samplers. The optional 500-Ω resistors to ground on each amplifier output can be added to improve the 2nd- and 3rd-harmonic distortion by > 15dB if higher dynamic range is required. Figure 53 shows the harmonic distortion for the circuit of Figure 52 with and without these pull-down resistors. The 5 mA added output stage current significantly improves linearity if that is required. The measured 2nd-harmonic distortion is consistently lower than the 3rd-harmonics for this balanced differential design. It is particularly helpful for this low-power design if there are

OPA4684M QUAD LOW-POWER CURRENT-FEEDBACK OPERATIONAL AMPLIFIER

SGLS145B – AUGUST 2003 – REVISED FEBRUARY 2004

no grounds in the signal path after the low-level signal at the transformer input. The two pull-down resistors do show a signal path ground and should be connected at the same physical point to ground to eliminate imbalanced ground return currents from degrading 2nd-harmonic distortion.

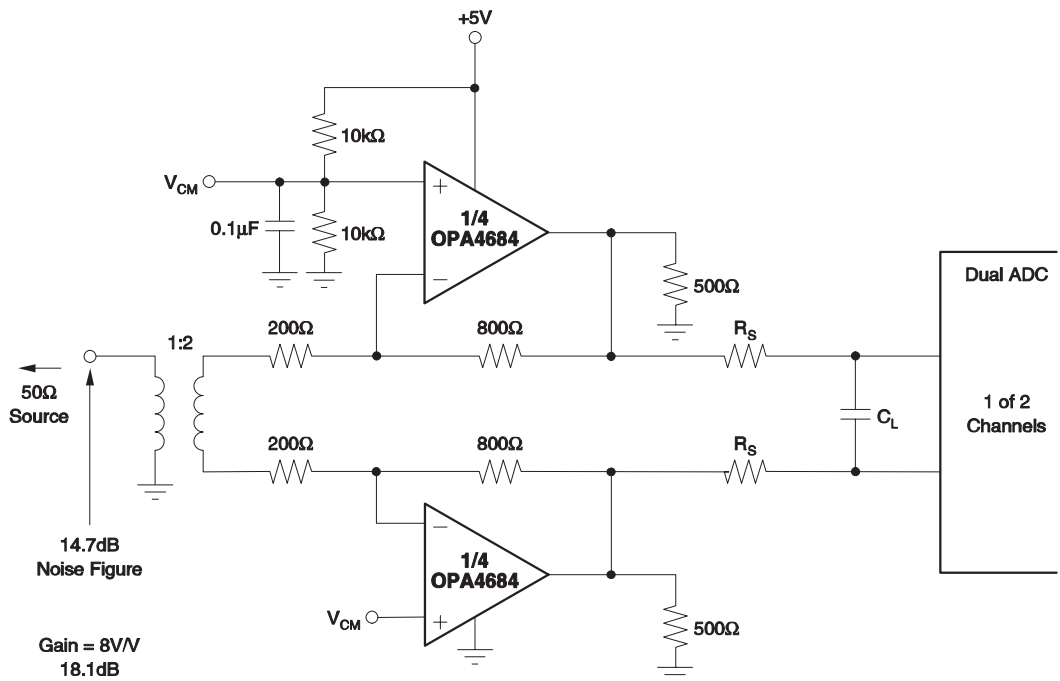


Figure 52. Single-Supply Differential ADC Driver (1 of 2 Channels)

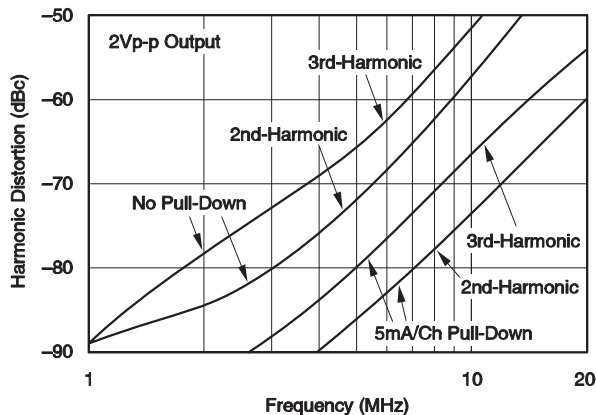


Figure 53. Harmonic Distortion vs Frequency

design-in tools

demonstration boards

Two PC boards are available to assist in the initial evaluation of circuit performance using the OPA4684 in its two package styles. Both of these are available, free, as an unpopulated PC board delivered with descriptive documentation. The summary information for these boards is shown in Table 1.

Table 1. Evaluation Module Ordering Information

PRODUCT	PACKAGE	BOARD PART NUMBER	LITERATURE NUMBER
OPA4684ID	SO-14	DEM-OPA468xD	SBOU016
OPA4684IDBW	TSSOP-14	DEM-OPA46xxDPW	—

macromodels

Computer simulation of circuit performance using SPICE is often useful in predicting the performance of analog circuits and systems. This is particularly true for Video and RF amplifier circuits where parasitic capacitance and inductance can have a major effect on circuit performance. Check the TI web site (www.ti.com) for SPICE macromodels within the OPA4684 product folder. These models do a good job of predicting small-signal AC and transient performance under a wide variety of operating conditions. They do not do as well in predicting distortion or dG/dP characteristics. These models do not attempt to distinguish between the package types in their small-signal AC performance.

operating suggestions

setting resistor values to optimize bandwidth

Any current-feedback op amp like the OPA4684 can hold high bandwidth over signal-gain settings with the proper adjustment of the external resistor values. A low-power part like the OPA4684 typically shows a larger change in bandwidth due to the significant contribution of the inverting input impedance to loop-gain changes as the signal gain is changed. Figure 54 shows a simplified analysis circuit for any current-feedback amplifier.

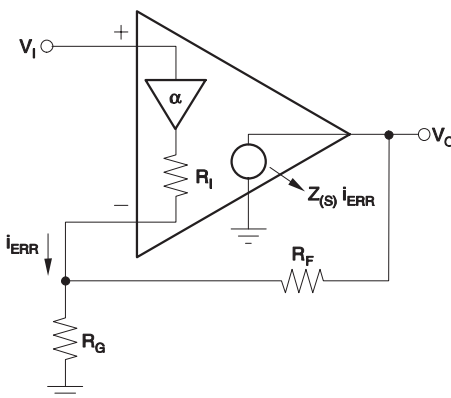


Figure 54. Current-Feedback Transfer Function Analysis Circuit

The key elements of this current-feedback op amp model are:

α — Buffer gain from the noninverting input to the inverting input

R_I — Buffer output impedance

i_{ERR} — Feedback error current signal

$Z(s)$ — Frequency-dependent open-loop transimpedance gain from i_{ERR} to V_O

The buffer gain is typically very close to 1.00 and is normally neglected from signal gain considerations. It will, however, set the CMRR for a single op amp differential amplifier configuration. For the buffer gain $a < 1.0$, the $CMRR = \frac{1}{1-a} \times 20 \times \log(1-a)$. The closed-loop input stage buffer used in the OPA4684 gives a buffer gain more closely approaching 1.00 and this shows up in a slightly higher CMRR than previous current-feedback op amps.

OPA4684M

QUAD LOW-POWER CURRENT-FEEDBACK OPERATIONAL AMPLIFIER

SGLS145B – AUGUST 2003 – REVISED FEBRUARY 2004

R_I , the buffer output impedance, is a critical portion of the bandwidth control equation. The OPA4684 reduces this element to approximately 4.0Ω using the local loop gain of the input buffer stage. This significant reduction in output impedance, on very low power, contributes significantly to extending the bandwidth at higher gains.

A current-feedback op amp senses an error current in the inverting node (as opposed to a differential input error voltage for a voltage-feedback op amp) and passes this on to the output through an internal frequency-dependent transimpedance gain. The Typical Characteristics show this open-loop transimpedance response. This is analogous to the open-loop voltage gain curve for a voltage-feedback op amp. Developing the transfer function for the circuit of Figure 53 gives Equation 1:

$$\frac{V_O}{V_I} = \frac{\alpha \left(1 + \frac{R_F}{R_G} \right)}{R_F + R_I \left(1 + \frac{R_F}{R_G} \right) + \frac{Z(s)}{1 + \frac{R_F + R_I NG}{Z(s)}}} = \frac{\alpha NG}{1 + \frac{R_F + R_I NG}{Z(s)}} \quad \left[NG = \left(1 + \frac{R_F}{R_G} \right) \right] \quad (1)$$

This is written in a loop-gain analysis format where the errors arising from a non-infinite open-loop gain are shown in the denominator. If $Z(s)$ were infinite over all frequencies, the denominator of Equation 1 would reduce to 1 and the ideal desired signal gain shown in the numerator would be achieved. The fraction in the denominator of Equation 1 determines the frequency response. Equation 2 shows this as the loop-gain equation.

$$\frac{Z(s)}{R_F + R_I NG} = \text{Loop Gain} \quad (2)$$

If $20 \times \log(RF + NG \times RI)$ were drawn on top of the open-loop transimpedance plot, the difference between the two would be the loop gain at a given frequency. Eventually, $Z(s)$ rolls off to equal the denominator of Equation 2 at which point the loop gain has reduced to 1 (and the curves have intersected). This point of equality is where the amplifier's closed-loop frequency response given by Equation 1 will start to roll off, and is exactly analogous to the frequency at which the noise gain equals the open-loop voltage gain for a voltage feedback op amp. The difference here is that the total impedance in the denominator of Equation 2 may be controlled somewhat separately from the desired signal gain (or NG).

The OPA4684 is internally compensated to give a maximally flat frequency response for $RF = 800 \Omega$ at $NG = 2$ on $\pm 5\text{-V}$ supplies. That optimum value goes to $1.0 \text{ k}\Omega$ on a single $+5\text{V}$ supply. Normally, with a current-feedback amplifier, it is possible to adjust the feedback resistor to hold this bandwidth up as the gain is increased. The CFBPLUS architecture has reduced the contribution of the inverting input impedance to provide exceptional bandwidth to higher gains without adjusting the feedback resistor value. The Typical Characteristics show the small-signal bandwidth over gain with a fixed feedback resistor.

Putting a closed-loop buffer between the noninverting and inverting inputs does bring some added considerations. Since the voltage at the inverting output node is now the output of a locally closed-loop buffer, parasitic external capacitance on this node can cause frequency response peaking for the transfer function from the noninverting input voltage to the inverting node voltage. While it is always important to keep the inverting node capacitance low for any current-feedback op amp, it is critically important for the OPA4684. External layout capacitance in excess of 2 pF will start to peak the frequency response. This peaking can be easily reduced by then increasing the feedback resistor value—but it is preferable, from a noise and dynamic range standpoint, to keep that capacitance low, allowing a close to nominal $800\text{-}\Omega$ feedback resistor for flat frequency response. Very high parasitic capacitance values on the inverting node ($> 5 \text{ pF}$) can possibly cause input stage oscillation that cannot be filtered by a feedback element adjustment.

At very high gains, 2nd-order effects in the inverting output impedance cause the overall response to peak up. If desired, it is possible to retain a flat frequency response at higher gains by adjusting the feedback resistor to higher values as the gain is increased. Since the exact value of feedback that will give a flat frequency response depends strongly in inverting and output node parasitic capacitance values, it is best to experiment

in the specific board with increasing values until the desired flatness (or pulse response shape) is obtained. In general, increasing R_F (and adjusting R_G then to the desired gain) will move towards flattening the response, while decreasing it will extend the bandwidth at the cost of some peaking.

output current and voltage

The OPA4684 provides output voltage and current capabilities that can support the needs of driving doubly-terminated 50- Ω lines. For a 100- Ω load at the gain of +2, (see Figure 41), the total load is the parallel combination of the 100- Ω load and the 1.6-k Ω total feedback network impedance. This 94- Ω load will require no more than 40-mA output current to support the ± 3.8 -V minimum output voltage swing specified for 100- Ω loads. This is well under the specified minimum +110 mA/–90mA output current specifications over the full temperature range.

The specifications described above, though familiar in the industry, consider voltage and current limits separately. In many applications, it is the voltage \times current, or V-I product, which is more relevant to circuit operation. Refer to the Output Current and Voltage Limitations curve (Figure 20) in the Typical Characteristics. The X- and Y-axes of this graph show the zero-voltage output current limit and the zero-current output voltage limit, respectively. The four quadrants give a more detailed view of the OPA4684's output drive capabilities. Superimposing resistor load lines onto the plot shows the available output voltage and current for specific loads.

The minimum specified output voltage and current over temperature are set by worst-case simulations at the cold temperature extreme. Only at cold startup will the output current and voltage decrease to the numbers shown in the Electrical Characteristic tables. As the output transistors deliver power, their junction temperatures will increase, decreasing their VBE's (increasing the available output voltage swing) and increasing their current gains (increasing the available output current). In steady-state operation, the available output voltage and current will always be greater than that shown in the over temperature specifications since the output stage junction temperatures will be higher than the minimum specified operating ambient.

To maintain maximum output stage linearity, no output short-circuit protection is provided. This will not normally be a problem since most applications include a series-matching resistor at the output that will limit the internal power dissipation if the output side of this resistor is shorted to ground. However, shorting the output pin directly to a power-supply pin will, in most cases, destroy the amplifier. If additional short-circuit protection is required, consider a small-series resistor in the power-supply leads. This will, under heavy output loads, reduce the available output voltage swing. A 5- Ω series resistor in each power-supply lead will limit the internal power dissipation to less than 1 W for an output short-circuit while decreasing the available output voltage swing only 0.25 V for up to 50 mA desired load currents. This slight drop in available swing is more if multiple channels are driving heavy loads simultaneously. Always place the 0.1- μ F power-supply decoupling capacitors after these supply current limiting resistors directly on the supply pins.

driving capacitive loads

One of the most demanding, and yet very common load conditions, for an op amp is capacitive loading. Often, the capacitive load is the input of an ADC—including additional external capacitance which may be recommended to improve ADC linearity. A high-speed, high open-loop gain amplifier like the OPA4684 can be very susceptible to decreased stability and closed-loop response peaking when a capacitive load is placed directly on the output pin. When the amplifier's open-loop output resistance is considered, this capacitive load introduces an additional pole in the signal path that can decrease the phase margin. Several external solutions to this problem have been suggested. When the primary considerations are frequency response flatness, pulse response fidelity, and/or distortion, the simplest and most effective solution is to isolate the capacitive load from the feedback loop by inserting a series isolation resistor between the amplifier output and the capacitive load. This does not eliminate the pole from the loop response, but rather shifts it and adds a zero at a higher frequency. The additional zero acts to cancel the phase lag from the capacitive load pole, thus increasing the phase margin and improving stability.

OPA4684M

QUAD LOW-POWER CURRENT-FEEDBACK OPERATIONAL AMPLIFIER

SGLS145B – AUGUST 2003 – REVISED FEBRUARY 2004

The Typical Characteristics show the recommended RS vs CLOAD and the resulting frequency response at the load. The 1-k Ω resistor shown in parallel with the load capacitor is a measurement path and may be omitted. Parasitic capacitive loads greater than 5 pF can begin to degrade the performance of the OPA4684. Long PC board traces, unmatched cables, and connections to multiple devices can easily cause this value to be exceeded. Always consider this effect carefully, and add the recommended series resistor as close as possible to the OPA4684 output pin (see Board Layout Guidelines).

distortion performance

The OPA4684 provides very low distortion in a low-power part. The CFBPLUS architecture also gives two significant areas of distortion improvement. First, in operating regions where the 2nd-harmonic distortion due to output stage nonlinearities is very low (frequencies < 1MHz, low output swings into light loads) the linearization at the inverting node provided by the CFBPLUS design gives 2nd-harmonic distortions that extend into the –90 dBc region. Previous current-feedback amplifiers have been limited to approximately –85 dBc due to the nonlinearities at the inverting input. The second area of distortion improvement comes in a distortion performance that is largely gain independent. To the extent that the distortion at a particular output power is output stage dependent, 3rd-harmonics particularly, and to a lesser extent 2nd-harmonic distortion, is constant as the gain is increased. This is due to the constant loop gain versus signal gain provided by the CFBPLUS design. As shown in the Typical Characteristic curves, while the 3rd-harmonic is constant with gain, the 2nd-harmonic degrades at higher gains. This is largely due to board parasitic issues. Slightly imbalanced load return currents will couple into the gain resistor to cause a portion of the 2nd-harmonic distortion. At high gains, this imbalance has more gain to the output giving reduced 2nd-harmonic distortion. Differential stages using two of the channels together can reduce this 2nd-harmonic issue enormously getting back to an essentially gain independent distortion.

Relative to alternative amplifiers with < 2-mA/ch supply current, the OPA4684 holds much lower distortion at higher frequencies (> 5 MHz) and to higher gains. Generally, until the fundamental signal reaches very high frequency or power levels, the 2nd-harmonic will dominate the distortion with a lower 3rd-harmonic component. Focusing then on the 2nd-harmonic, increasing the load impedance improves distortion directly. Remember that the total load includes the feedback network—in the noninverting configuration (see Figure 41) this is the sum of RF + RG, while in the inverting configuration it is just RF. Also, providing an additional supply decoupling capacitor (0.1 μ F) between the supply pins (for bipolar operation) improves the 2nd-order distortion slightly (3dB to 6dB).

In most op amps, increasing the output voltage swing increases harmonic distortion directly. A low-power part like the OPA4684 includes quiescent boost circuits to provide the large-signal bandwidth in the Electrical Characteristics. These act to increase the bias in a very linear fashion only when high slew rate or output power are required. This also acts to actually reduce the distortion slightly at higher output power levels. The Typical Characteristic curves show the 2nd-harmonic holding constant from 500 mVp-p to 5 Vp-p outputs while the 3rd-harmonics actually decrease with increasing output power.

The OPA4684 has an extremely low 3rd-order harmonic distortion, particularly for light loads and at lower frequencies. This also gives low 2-tone, 3rd-order intermodulation distortion as shown in the Typical Characteristic curves. Since the OPA4684 includes internal power boost circuits to retain good full-power performance at high frequencies and outputs, it does not show a classical 2-tone, 3rd-order intermodulation intercept characteristic. Instead, it holds relatively low and constant 3rd-order intermodulation spurious levels over power. The Typical Characteristic curves show this spurious level as a dBc below the carrier at fixed center frequencies swept over single-tone power at a matched 50- Ω load. These spurious levels drop significantly (> 12 dB) for lighter loads than the 100 Ω used in the 2-Tone, 3rd-Order Intermodulation Distortion curve. Converter inputs for instance will see < –82dBc 3rd-order spurious to 10 MHz for full-scale inputs. For even lower 3rd-order intermodulation distortion to much higher frequencies, consider the OPA2691 dual or OPA691 and OPA685 single-channel current-feedback amplifiers.



noise performance

Wideband current-feedback op amps generally have a higher output noise than comparable voltage-feedback op amps. The OPA4684 offers an excellent balance between voltage and current noise terms to achieve low output noise in a low-power amplifier. The inverting current noise ($17 \text{ pA}/\sqrt{\text{Hz}}$) is comparable to most other current-feedback op amps while the input voltage noise ($3.7 \text{ nV}/\sqrt{\text{Hz}}$) is lower than any unity-gain stable, comparable slew rate, voltage-feedback op amp. This low input voltage noise was achieved at the price of higher noninverting input current noise ($9.4 \text{ pA}/\sqrt{\text{Hz}}$). As long as the AC source impedance looking out of the noninverting node is less than 200Ω , this current noise will not contribute significantly to the total output noise. The op amp input voltage noise and the two input current noise terms combine to give low output noise under a wide variety of operating conditions. Figure 55 shows the op amp noise analysis model with all the noise terms included. In this model, all noise terms are taken to be noise voltage or current density terms in either $\text{nV}/\sqrt{\text{Hz}}$ or $\text{pA}/\sqrt{\text{Hz}}$.

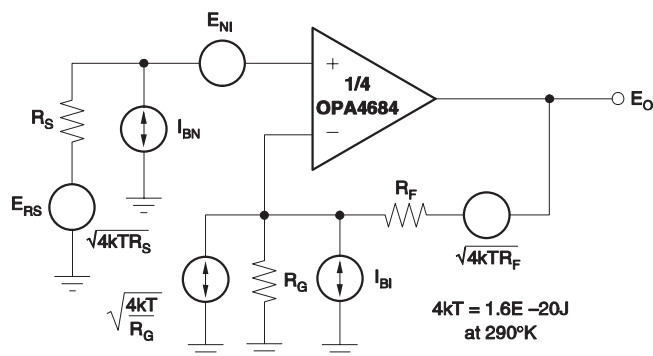


Figure 55. Op Amp Noise Analysis Model

The total output spot noise voltage can be computed as the square root of the sum of all squared output noise voltage contributors. Equation 3 shows the general form for the output noise voltage using the terms presented in Figure 52.

$$E_O = \sqrt{\left(E_{NI}^2 + (I_{BN}R_S)^2 + 4kTR_S \right) G_N^2 + (I_{BI}R_F)^2 + 4kTR_F G_N} \quad (3)$$

Dividing this expression by the noise gain ($G_N = (1+R_F/R_G)$) will give the equivalent input referred spot noise voltage at the noninverting input, as shown in Equation 4.

$$E_O = \sqrt{E_{NI}^2 + (I_{BN}R_S)^2 + 4kTR_S + \left(\frac{I_{BI}R_F}{G_N} \right)^2 + \frac{4kTR_F}{G_N}} \quad (4)$$

Evaluating these two equations for the OPA4684 circuit and component values presented in Figure 41 will give a total output spot noise voltage of $16.3 \text{ nV}/\sqrt{\text{Hz}}$ and a total equivalent input spot noise voltage of $8.1 \text{ nV}/\sqrt{\text{Hz}}$. This total input referred spot noise voltage is higher than the $3.7 \text{ nV}/\sqrt{\text{Hz}}$ specification for the op amp voltage noise alone. This reflects the noise added to the output by the inverting current noise times the feedback resistor. As the gain is increased, this fixed output noise power term contributes less to the total output noise and the total input referred voltage noise given by Equation 3 will approach just the $3.7 \text{ nV}/\sqrt{\text{Hz}}$ of the op amp itself. For example, going to a gain of +20 in the circuit of Figure 41, adjusting only the gain resistor to 42.1Ω , will give a total input referred noise of $3.9 \text{ nV}/\sqrt{\text{Hz}}$. A more complete description of op amp noise analysis can be found in the Texas Instruments application note, AB-103, Noise Analysis for High Speed Op Amps (SBOA066), located at www.ti.com.

OPA4684M

QUAD LOW-POWER CURRENT-FEEDBACK OPERATIONAL AMPLIFIER

SGLS145B – AUGUST 2003 – REVISED FEBRUARY 2004

dc accuracy and offset control

A current-feedback op amp like the OPA4684 provides exceptional bandwidth in high gains, giving fast pulse settling but only moderate DC accuracy. The Electrical Characteristics show an input offset voltage comparable to high slew rate voltage-feedback amplifiers. However, the two input bias currents are somewhat higher and are unmatched. Whereas bias current cancellation techniques are very effective with most voltage-feedback op amps, they do not generally reduce the output DC offset for wideband current-feedback op amps. Since the two input bias currents are unrelated in both magnitude and polarity, matching the source impedance looking out of each input to reduce their error contribution to the output is ineffective. Evaluating the configuration of Figure 41, using worst-case +25°C input offset voltage and the two input bias currents, gives a worst-case output offset range equal to:

$$\begin{aligned} & \pm(NG \times VOS(MAX)) + (IBN \times RS/2 \times NG) \pm (IBI \times RF) \\ & \text{where } NG = \text{noninverting signal gain} \\ & = \pm(2 \times 4.0 \text{ mV}) \pm (13 \mu\text{A} \times 25 \Omega \times 2) \pm (800 \Omega \times 17 \mu\text{A}) \\ & = \pm 8 \text{ mV} + 0.65 \text{ mV} \pm 13.6 \text{ mV} \\ & = \pm 22.3 \text{ mV} \end{aligned}$$

While the last term, the inverting bias current error, is dominant in this low-gain circuit, the input offset voltage will become the dominant DC error term as the gain exceeds 5 V/V. Where improved DC precision is required in a high-speed amplifier, consider the OPA656 single and OPA2822 dual voltage-feedback amplifiers.

thermal analysis

The OPA4684 will not require external heatsinking or airflow most applications. Maximum desired junction temperature will set the maximum allowed internal power dissipation as described below. In no case should the maximum junction temperature be allowed to exceed 175°C.

Operating junction temperature (T_J) is given by $T_A + P_D \times \theta_{JA}$. The total internal power dissipation (P_D) is the sum of quiescent power (P_{DQ}) and additional power dissipated in the output stage (P_{DL}) to deliver load power. Quiescent power is simply the specified no-load supply current times the total supply voltage across the part. P_{DL} will depend on the required output signal and load but would, for a grounded resistive load, be at a maximum when the output is fixed at a voltage equal to 1/2 either supply voltage (for equal bipolar supplies). Under this condition $P_{DL} = VS^2/(4 \times R_L)$ where R_L includes feedback network loading.

Note that it is the power in the output stage and not into the load that determines internal power dissipation.

As an absolute worst-case example, compute the maximum T_J using an OPA4684IPW (TSSOP-14 package) in the circuit of Figure 41 operating at the maximum specified ambient temperature of +85°C with all channels driving a grounded 100- Ω load to 2.5 V_{DC} .

$$\begin{aligned} P_D &= 10 \text{ V} \times 7.8 \text{ mA} + 4 \times (5^2 / (4 \times (100 \Omega \parallel 1.6 \text{ k}\Omega))) = 144 \text{ mW} \\ \text{Maximum } T_J &= +85^\circ\text{C} + (0.144 \text{ W} \times 110^\circ\text{C/W}) = 101^\circ\text{C}. \end{aligned}$$

This maximum operating junction temperature is well below most system level targets. Most applications will be lower than this since an absolute worst-case output stage power was assumed in this calculation with all 4 channels running maximum output power simultaneously.

board layout guidelines

Achieving optimum performance with a high-frequency amplifier like the OPA4684 requires careful attention to board layout parasitics and external component types. Recommendations that will optimize performance include:

- Minimize parasitic capacitance to any AC ground for all of the signal I/O pins. Parasitic capacitance on the output and inverting input pins can cause instability; on the noninverting input, it can react with the source impedance to cause unintentional bandlimiting. To reduce unwanted capacitance, a window around the signal I/O pins should be opened in all of the ground and power planes around those pins. Otherwise, ground and power planes should be unbroken elsewhere on the board.

- Minimize the distance ($< 0.25''$) from the power-supply pins to high-frequency $0.1\text{-}\mu\text{F}$ decoupling capacitors. At the device pins, the ground and power-plane layout should not be in close proximity to the signal I/O pins. Avoid narrow power and ground traces to minimize inductance between the pins and the decoupling capacitors. The power-supply connections should always be decoupled with these capacitors. An optional supply de-coupling capacitor ($0.01\ \mu\text{F}$) across the two power supplies (for bipolar operation) will improve 2nd-harmonic distortion performance. Larger ($2.2\ \mu\text{F}$ to $6.8\ \mu\text{F}$) decoupling capacitors, effective at lower frequencies, should also be used on the main supply pins. These may be placed somewhat farther from the device and may be shared among several devices in the same area of the PC board.
- Careful selection and placement of external components will preserve the high-frequency performance of the OPA4684. Resistors should be a very low reactance type. Surface-mount resistors work best and allow a tighter overall layout. Metal film and carbon composition axially-leaded resistors can also provide good high-frequency performance. Again, keep their leads and PC-board trace length as short as possible. Never use wirewound type resistors in a high-frequency application. Since the output pin and inverting input pin are the most sensitive to parasitic capacitance, always position the feedback and series output resistor, if any, as close as possible to the output pin. The quad amplifier pinout allows each output and inverting input to be connected by the feedback element with virtually no trace length. Other network components, such as noninverting input termination resistors, should also be placed close to the package. The frequency response is primarily determined by the feedback resistor value as described previously. Increasing its value will reduce the peaking at higher gains, while decreasing it will give a more peaked frequency response at lower gains. The $800\text{-}\Omega$ feedback resistor used in the Typical Characteristics at a gain of +2 on $\pm 5\text{-V}$ supplies is a good starting point for design. Note that a $800\text{-}\Omega$ feedback resistor, rather than a direct short, is required for the unity-gain follower application. A current-feedback op amp requires a feedback resistor even in the unity-gain follower configuration to control stability.
- Connections to other wideband devices on the board may be made with short direct traces or through onboard transmission lines. For short connections, consider the trace and the input to the next device as a lumped capacitive load. Relatively wide traces (50 mils to 100 mils) should be used, preferably with ground and power planes opened up around them. Estimate the total capacitive load and set R_S from the plot of recommended R_S vs CLOAD. Low parasitic capacitive loads ($< 5\ \text{pF}$) may not need an R_S since the OPA4684 is nominally compensated to operate with a 2-pF parasitic load. If a long trace is required, and the 6-dB signal loss intrinsic to a doubly-terminated transmission line is acceptable, implement a matched impedance transmission line using microstrip or stripline techniques (consult an ECL design handbook for microstrip and stripline layout techniques). A $50\text{-}\Omega$ environment is normally not necessary on board, and in fact a higher impedance environment will improve distortion, see the distortion versus load plots. With a characteristic board trace impedance defined based on board material and trace dimensions, a matching series resistor into the trace from the output of the OPA4684 is used, as well as a terminating shunt resistor at the input of the destination device. Remember also that the terminating impedance will be the parallel combination of the shunt resistor and the input impedance of the destination device; this total effective impedance should be set to match the trace impedance. The high output voltage and current capability of the OPA4684 allows multiple destination devices to be handled as separate transmission lines, each with their own series and shunt terminations. If the 6-dB attenuation of a doubly-terminated transmission line is unacceptable, a long trace can be series-terminated at the source end only. Treat the trace as a capacitive load in this case and set the series resistor value as shown in the plot of R_S vs CLOAD. This will not preserve signal integrity as well as a doubly-terminated line. If the input impedance of the destination device is LOW, there will be some signal attenuation due to the voltage divider formed by the series output into the terminating impedance.
- Socketing a high-speed part like the OPA4684 is not recommended. The additional lead length and pin-to-pin capacitance introduced by the socket can create an extremely troublesome parasitic network which can make it almost impossible to achieve a smooth, stable frequency response. Best results are obtained by soldering the OPA4684 onto the board.

OPA4684M

QUAD LOW-POWER CURRENT-FEEDBACK OPERATIONAL AMPLIFIER

SGLS145B – AUGUST 2003 – REVISED FEBRUARY 2004

input and esd protection

The OPA4684 is built using a very high-speed complementary bipolar process. The internal junction breakdown voltages are relatively low for these very small geometry devices. These breakdowns are reflected in the Absolute Maximum Ratings table where an absolute maximum 13 V across the supply pins is reported. All device pins have limited ESD protection using internal diodes to the power supplies, as shown in Figure 56.

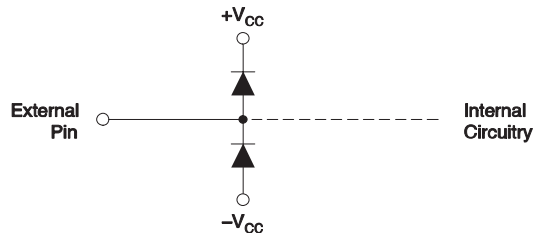
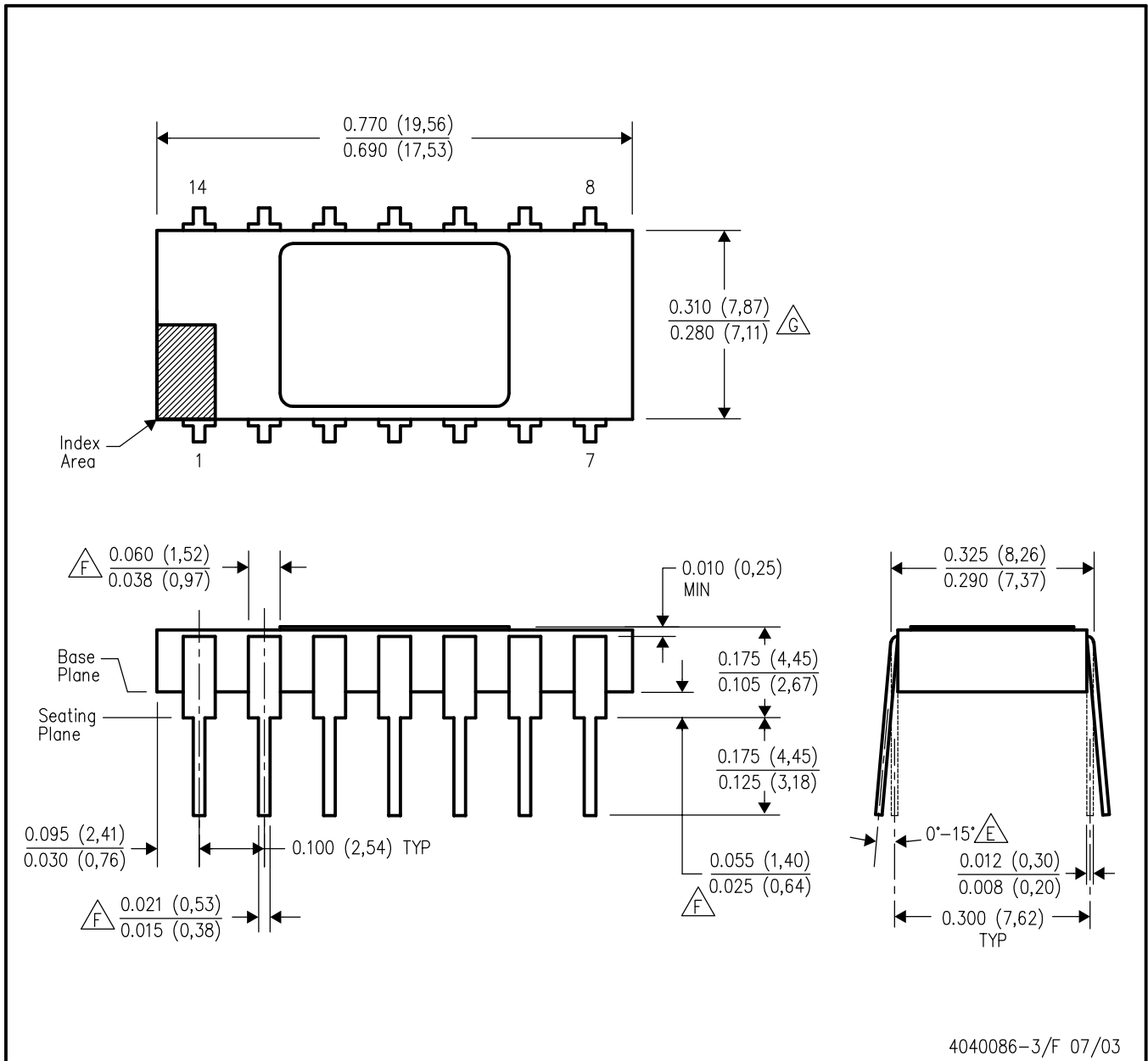


Figure 56. Internal ESD Protection

These diodes provide moderate protection to input overdrive voltages above the supplies as well. The protection diodes can typically support 30-mA continuous current. Where higher currents are possible (e.g. in systems with ± 15 -V supply parts driving into the OPA4684), current limiting series resistors should be added into the two inputs. Keep these resistor values as low as possible since high values degrade both noise performance and frequency response.

JD (R-CDIP-T14)

CERAMIC SIDE-BRAZE DUAL-IN-LINE



- NOTES:
- A. All linear dimensions are in inches (millimeters).
 - B. This drawing is subject to change without notice.
 - C. Controlling dimension: inch.
 - D. Leads within 0.005 (0,13) radius of true position (TP) at gage plane with maximum material condition and unit installed.
 - E. Angle applies to spread leads prior to installation.
 - F. Outlines on which the seating plane is coincident with the plane (standoff = 0), terminals lead standoffs are not required, and lead shoulder may equal lead width along any part of the lead above the seating/base plane.
 - G. Body width does not include particles of packing materials.
 - H. A visual index feature must be located within the cross-hatched area.

IMPORTANT NOTICE

Texas Instruments Incorporated and its subsidiaries (TI) reserve the right to make corrections, modifications, enhancements, improvements, and other changes to its products and services at any time and to discontinue any product or service without notice. Customers should obtain the latest relevant information before placing orders and should verify that such information is current and complete. All products are sold subject to TI's terms and conditions of sale supplied at the time of order acknowledgment.

TI warrants performance of its hardware products to the specifications applicable at the time of sale in accordance with TI's standard warranty. Testing and other quality control techniques are used to the extent TI deems necessary to support this warranty. Except where mandated by government requirements, testing of all parameters of each product is not necessarily performed.

TI assumes no liability for applications assistance or customer product design. Customers are responsible for their products and applications using TI components. To minimize the risks associated with customer products and applications, customers should provide adequate design and operating safeguards.

TI does not warrant or represent that any license, either express or implied, is granted under any TI patent right, copyright, mask work right, or other TI intellectual property right relating to any combination, machine, or process in which TI products or services are used. Information published by TI regarding third-party products or services does not constitute a license from TI to use such products or services or a warranty or endorsement thereof. Use of such information may require a license from a third party under the patents or other intellectual property of the third party, or a license from TI under the patents or other intellectual property of TI.

Reproduction of information in TI data books or data sheets is permissible only if reproduction is without alteration and is accompanied by all associated warranties, conditions, limitations, and notices. Reproduction of this information with alteration is an unfair and deceptive business practice. TI is not responsible or liable for such altered documentation.

Resale of TI products or services with statements different from or beyond the parameters stated by TI for that product or service voids all express and any implied warranties for the associated TI product or service and is an unfair and deceptive business practice. TI is not responsible or liable for any such statements.

Following are URLs where you can obtain information on other Texas Instruments products and application solutions:

Products		Applications	
Amplifiers	amplifier.ti.com	Audio	www.ti.com/audio
Data Converters	dataconverter.ti.com	Automotive	www.ti.com/automotive
DSP	dsp.ti.com	Broadband	www.ti.com/broadband
Interface	interface.ti.com	Digital Control	www.ti.com/digitalcontrol
Logic	logic.ti.com	Military	www.ti.com/military
Power Mgmt	power.ti.com	Optical Networking	www.ti.com/opticalnetwork
Microcontrollers	microcontroller.ti.com	Security	www.ti.com/security
		Telephony	www.ti.com/telephony
		Video & Imaging	www.ti.com/video
		Wireless	www.ti.com/wireless

Mailing Address: Texas Instruments
Post Office Box 655303 Dallas, Texas 75265