

10V Precision Voltage Reference

FEATURES

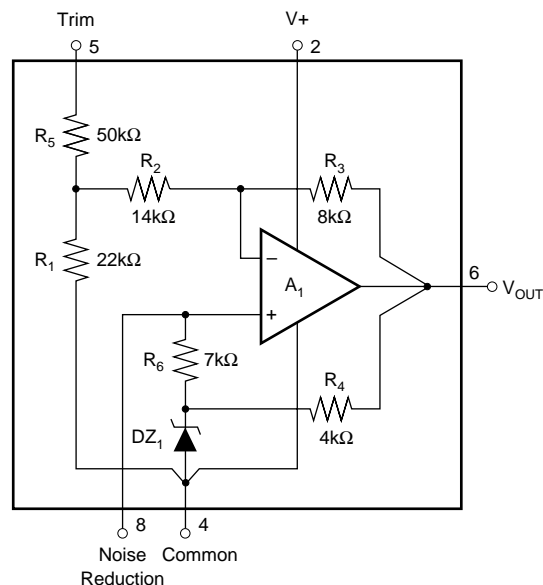
- **+10V $\pm 0.0025V$ OUTPUT**
- **VERY LOW DRIFT: 2.5ppm/ $^{\circ}C$ max**
- **EXCELLENT STABILITY: 5ppm/1000hr typ**
- **EXCELLENT LINE REGULATION: 1ppm/V max**
- **EXCELLENT LOAD REGULATION: 10ppm/mA max**
- **LOW NOISE: 5 μV_{PP} typ, 0.1Hz to 10Hz**
- **WIDE SUPPLY RANGE: 11.4VDC to 36VDC**
- **LOW QUIESCENT CURRENT: 1.4mA max**
- **PACKAGE OPTIONS: PLASTIC DIP, SO-8**

APPLICATIONS

- **PRECISION-CALIBRATED VOLTAGE STANDARD**
- **D/A AND A/D CONVERTER REFERENCE**
- **PRECISION CURRENT REFERENCE**
- **ACCURATE COMPARATOR THRESHOLD REFERENCE**
- **DIGITAL VOLTMETERS**
- **TEST EQUIPMENT**
- **PC-BASED INSTRUMENTATION**

DESCRIPTION

The REF102 is a precision 10V voltage reference. The drift is laser-trimmed to 2.5ppm/ $^{\circ}C$ max C-grade over the industrial temperature range. The REF102 achieves its precision without a heater. This results in low power, fast warm-up, excellent stability, and low noise. The output voltage is extremely insensitive to both line and load variations and can be externally adjusted with minimal effect on drift and stability. Single supply operation from 11.4V to 36V and excellent overall specifications make the REF102 an ideal choice for demanding instrumentation and system reference applications.



Please be aware that an important notice concerning availability, standard warranty, and use in critical applications of Texas Instruments semiconductor products and disclaimers thereto appears at the end of this data sheet.

All trademarks are the property of their respective owners.

ABSOLUTE MAXIMUM RATINGS⁽¹⁾

Input Voltage	+40V
Operating Temperature	
P, U	-25°C to +85°C
Storage Temperature Range	
P, U	-40°C to +125°C
Lead Temperature (soldering, 10s)	+300°C
(SO, 3s)	+260°C
Short-Circuit Protection to Common or V+	Continuous

NOTE: (1) Stresses above these ratings may cause permanent damage. Exposure to absolute maximum conditions for extended periods may degrade device reliability.



ELECTROSTATIC DISCHARGE SENSITIVITY

This integrated circuit can be damaged by ESD. Texas Instruments recommends that all integrated circuits be handled with appropriate precautions. Failure to observe proper handling and installation procedures can cause damage.

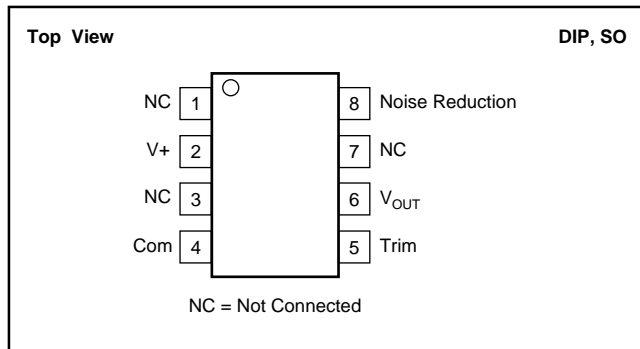
ESD damage can range from subtle performance degradation to complete device failure. Precision integrated circuits may be more susceptible to damage because very small parametric changes could cause the device not to meet its published specifications.

PACKAGE/ORDERING INFORMATION⁽¹⁾

PRODUCT	MAX INITIAL ERROR (mV)	MAX DRIFT (PPM/°C)	PACKAGE-LEAD	PACKAGE DESIGNATOR	SPECIFIED TEMPERATURE RANGE	PACKAGE MARKING	ORDERING NUMBER	TRANSPORT MEDIA, QUANTITY
REF102AU	±10	±10	SO-8	D	-25°C to +85°C	REF102AU	REF102AU	Tube, 100
"	±10	±10	SO-8	D	"	REF102AU/2K5	REF102AU/2K5	Tape and Reel, 2500
REF102AP	±10	±10	DIP-8	P	"	REF102AP	REF102AP	Tube, 50
REF102BU	±5	±5	SO-8	D	"	REF102BU	REF102BU	Tube, 100
"	±5	±5	SO-8	D	"	REF102BU/2K5	REF102BU/2K5	Tape and Reel, 2500
REF102BP	±5	±5	DIP-8	P	"	REF102BP	REF102BP	Tube, 50
REF102CU	±2.5	±2.5	SO-8	D	"	REF102CU	REF102CU	Tube, 100
"	±2.5	±2.5	SO-8	D	"	REF102CU/2K5	REF102CU/2K5	Tape and Reel, 2500
REF102CP	±2.5	±2.5	DIP-8	P	"	REF102CP	REF102CP	Tube, 50

NOTE: (1) For the most current package and ordering information, see the Package Option Addendum located at the end of this data sheet.

PIN CONFIGURATIONS



ELECTRICAL CHARACTERISTICS

At $T_A = +25^\circ\text{C}$ and $V_S = +15\text{V}$ power supply, unless otherwise noted.

PARAMETER	CONDITIONS	REF102A			REF102B			REF102C			UNITS
		MIN	TYP	MAX	MIN	TYP	MAX	MIN	TYP	MAX	
OUTPUT VOLTAGE											
Initial	$T_A = 25^\circ\text{C}$	9.99		10.01	9.995		10.005	9.9975		10.0025	V
vs Temperature ⁽¹⁾				10			5			2.5	ppm/ $^\circ\text{C}$
vs Supply (Line Regulation)	$V_S = 11.4\text{V}$ to 36V			2			1			1	ppm/V
vs Output Current (Load Regulation)	$I_L = 0\text{mA}$ to +10mA			20			10			10	ppm/mA
	$I_L = 0\text{mA}$ to -5mA			40			20			20	ppm/mA
vs Time	$T_A = +25^\circ\text{C}$										
M Package			5			*			*		ppm/1000hr
P, U Packages ⁽²⁾			20			*			*		ppm/1000hr
Trim Range ⁽³⁾		± 3			*			*			%
Capacitive Load, max			1000		*			*			pF
NOISE	0.1Hz to 10Hz		5			*			*		μV_{PP}
OUTPUT CURRENT		+10, -5			*			*			mA
INPUT VOLTAGE RANGE		+11.4		+36	*		*	*		*	V
QUIESCENT CURRENT	$I_{OUT} = 0$			+1.4			*			*	mA
WARM-UP TIME ⁽⁴⁾	To 0.1%		15			*			*		μs
TEMPERATURE RANGE											
Specification REF102A, B, C		-25		+85	*		*	*		*	$^\circ\text{C}$

* Specifications same as REF102A.

NOTES: (1) The "box" method is used to specify output voltage drift vs temperature. See the Discussion of Performance section.

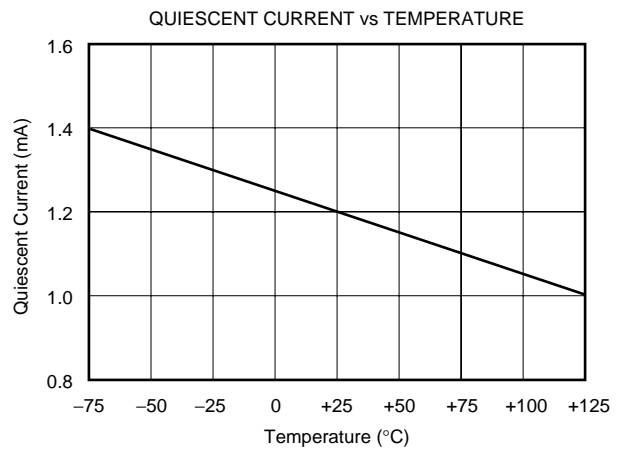
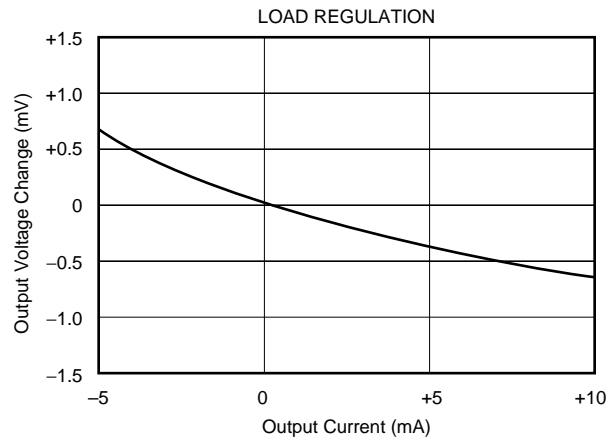
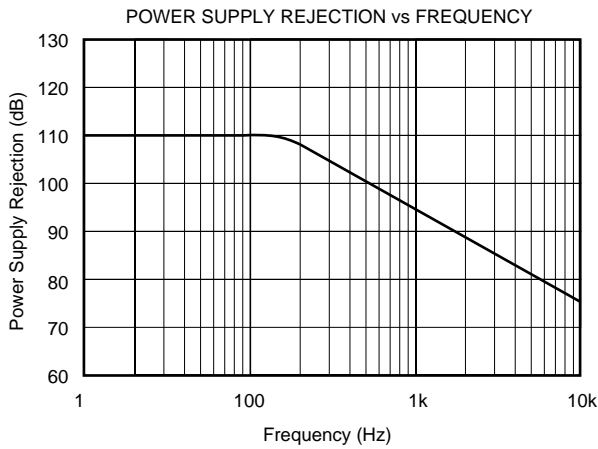
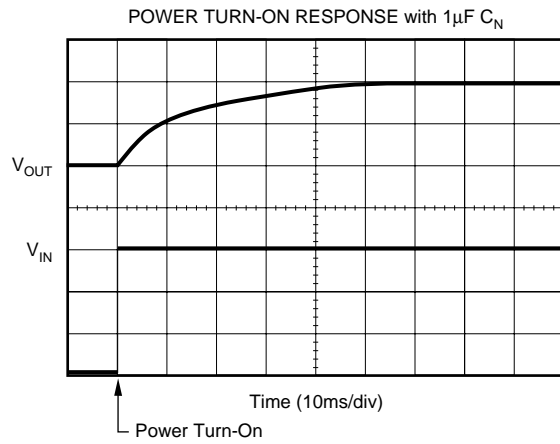
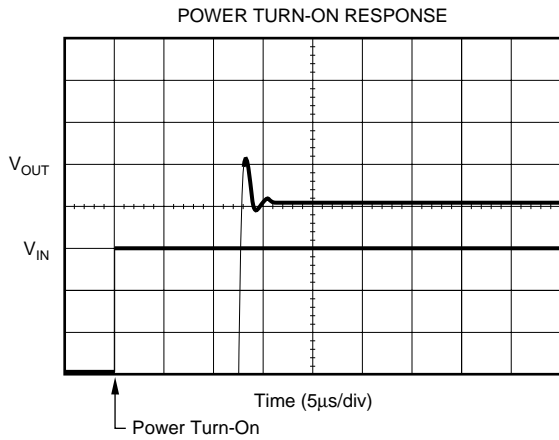
(2) Typically 5ppm/1000hrs after 168hr powered stabilization.

(3) Trimming the offset voltage affects drift slightly. See Installation and Operating Instructions for details.

(4) With noise reduction pin floating. See Typical Characteristics for details.

TYPICAL CHARACTERISTICS

At $T_A = +25^\circ\text{C}$, $V_S = +15\text{V}$, unless otherwise noted.



TYPICAL CHARACTERISTICS (Cont.)

At $T_A = +25^\circ\text{C}$, $V_S = +15\text{V}$, unless otherwise noted.



Noise Test Circuit.

THEORY OF OPERATION

Refer to the diagram on the first page of this data sheet. The 10V output is derived from a compensated buried zener diode DZ_1 , op amp A_1 , and resistor network $R_1 - R_6$.

Approximately 8.2V is applied to the non-inverting input of A_1 by DZ_1 . R_1 , R_2 , and R_3 are laser-trimmed to produce an exact 10V output. The zener bias current is established from the regulated output voltage through R_4 . R_5 allows user-trimming of the output voltage by providing for small external adjustment of the amplifier gain. Because the temperature coefficient (TCR) of R_5 closely matches the TCR of R_1 , R_2 and R_3 , the voltage trim has minimal effect on the reference drift. The output voltage noise of the REF102 is dominated by the noise of the zener diode. A capacitor can be connected between the Noise Reduction pin and ground to form a low-pass filter with R_6 and roll off the high-frequency noise of the zener.

DISCUSSION OF PERFORMANCE

The REF102 is designed for applications requiring a precision voltage reference where both the initial value at room temperature and the drift over temperature are of importance to the user. Two basic methods of specifying voltage reference drift versus temperature are in common usage in the industry—the “butterfly method” and the “box method.” The

REF102 is specified by the more commonly-used “box method.” The “box” is formed by the high and low specification temperatures and a diagonal, the slope of which is equal to the maximum specified drift.

Since the shape of the actual drift curve is not known, the vertical position of the box is not known, either. It is, however, bounded by $V_{\text{UPPER BOUND}}$ and $V_{\text{LOWER BOUND}}$ (see Figure 1). Figure 1 uses the REF102CU as an example. It has a drift specification of 2.5ppm/ $^\circ\text{C}$ maximum and a specification temperature range of -25°C to $+85^\circ\text{C}$. The “box” height, V_1 to V_2 , is 2.75mV.

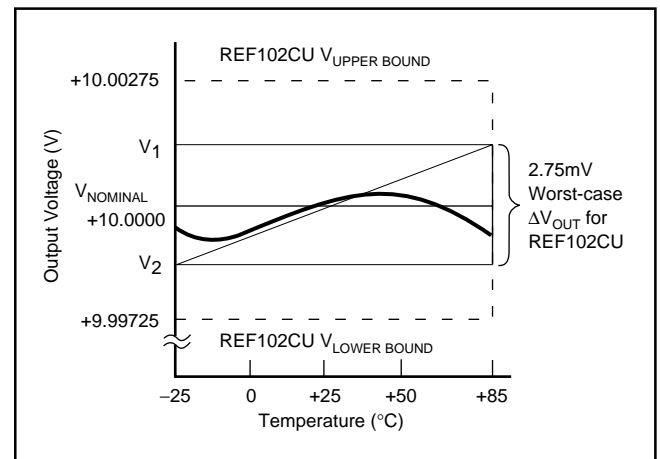


FIGURE 1. REF102CU Output Voltage Drift.

INSTALLATION AND OPERATING INSTRUCTIONS

BASIC CIRCUIT CONNECTION

Figure 2 shows the proper connection of the REF102. To achieve the specified performance, pay careful attention to layout. A low resistance star configuration will reduce voltage errors, noise pickup, and noise coupled from the power supply. Commons should be connected as indicated, being sure to minimize interconnection resistances.



FIGURE 2. REF102 Installation.

OPTIONAL OUTPUT VOLTAGE ADJUSTMENT

Optional output voltage adjustment circuits are shown in Figures 3 and 4. Trimming the output voltage will change the voltage drift by approximately 0.008ppm/°C per mV of trimmed voltage. In the circuit in Figure 3, any mismatch in TCR between the two sections of the potentiometer will also affect drift, but the effect of the Δ TCR is reduced by a factor of five by the internal resistor divider. A high quality potentiometer, with good mechanical stability, such as a cermet, should be

used. The circuit in Figure 3 has a minimum trim range of ± 300 mV. The circuit in Figure 4 has less range but provides higher resolution. The mismatch in TCR between R_S and the internal resistors can introduce some slight drift. This effect is minimized if R_S is kept significantly larger than the 50kΩ internal resistor. A TCR of 100ppm/°C is normally sufficient.



FIGURE 3. REF102 Optional Output Voltage Adjust.

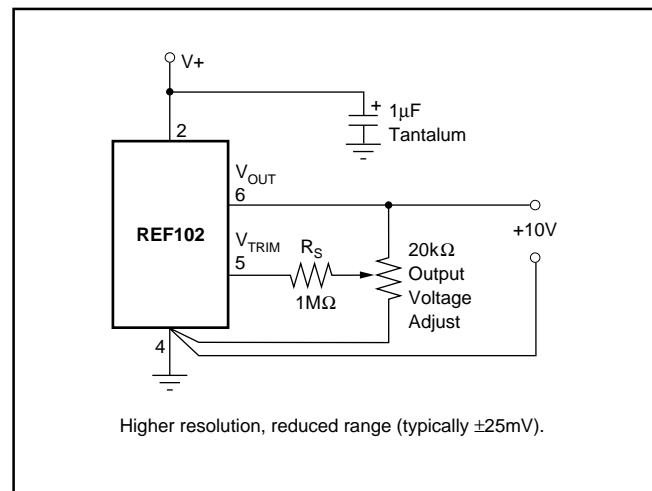


FIGURE 4. REF102 Optional Output Voltage, Fine Adjust.

OPTIONAL NOISE REDUCTION

The high-frequency noise of the REF102 is dominated by the zener diode noise. This noise can be greatly reduced by connecting a capacitor between the Noise Reduction pin and ground. The capacitor forms a low-pass filter with R_6 (refer to the figure on page 1) and attenuates the high-frequency noise generated by the zener. Figure 5 shows the effect of a $1\mu\text{F}$ noise reduction capacitor on the high-frequency noise of the REF102. R_6 is typically $7\text{k}\Omega$ so the filter has a -3dB frequency of about 22Hz . The result is a reduction in noise from about $800\mu\text{V}_{\text{PP}}$ to under $200\mu\text{V}_{\text{PP}}$. If further noise reduction is required, use the circuit in Figure 14.

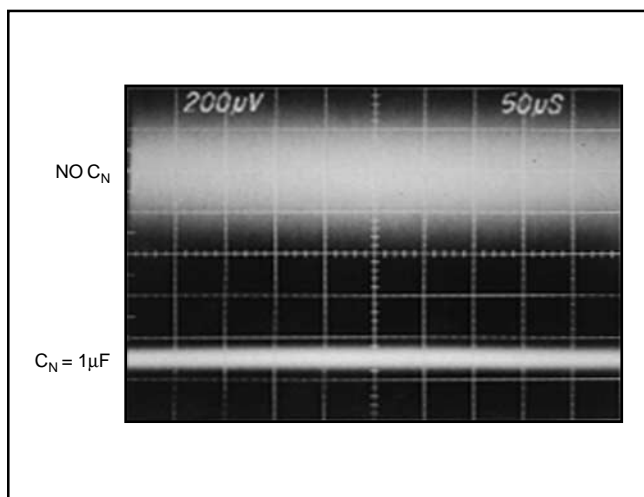


FIGURE 5. Effect of $1\mu\text{F}$ Noise Reduction Capacitor on Broadband Noise ($f_{-3\text{dB}} = 1\text{MHz}$)

APPLICATIONS INFORMATION

High accuracy, extremely low drift, outstanding stability, and low cost make the REF102 an ideal choice for all instrumentation and system reference applications. Figures 6 through 14 show a variety of useful application circuits.



FIGURE 6. -10V Reference Using a) Resistor or b) OPA227.

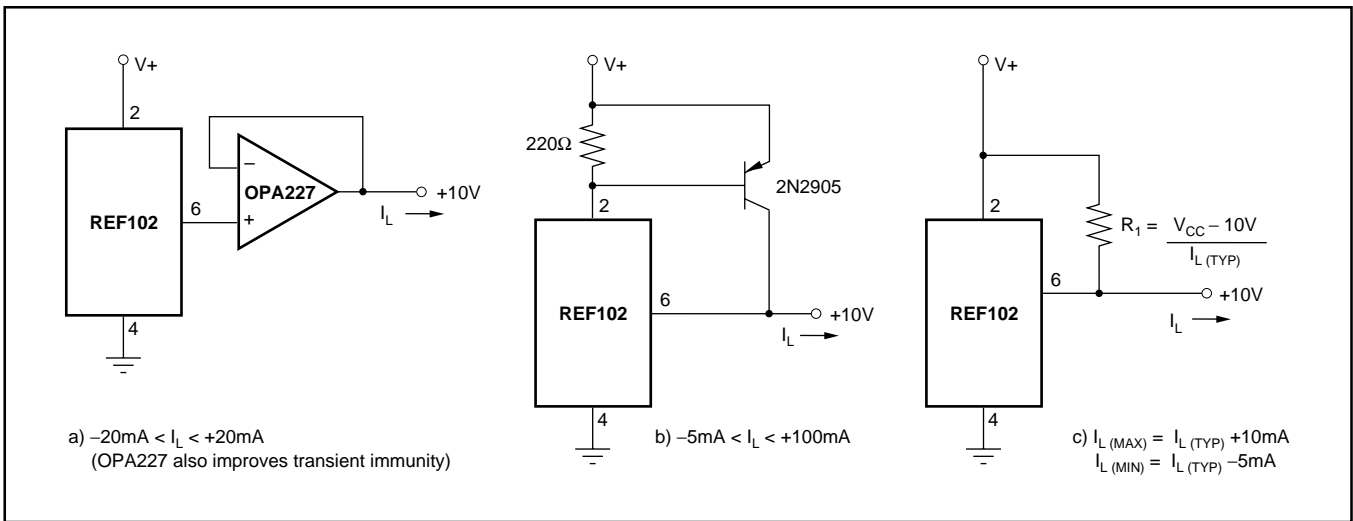


FIGURE 7. +10V Reference With Output Current Boosted to: a) $\pm 20\text{mA}$, b) $+100\text{mA}$, and c) $I_{L(\text{TYP})} + 10\text{mA}$, -5mA .

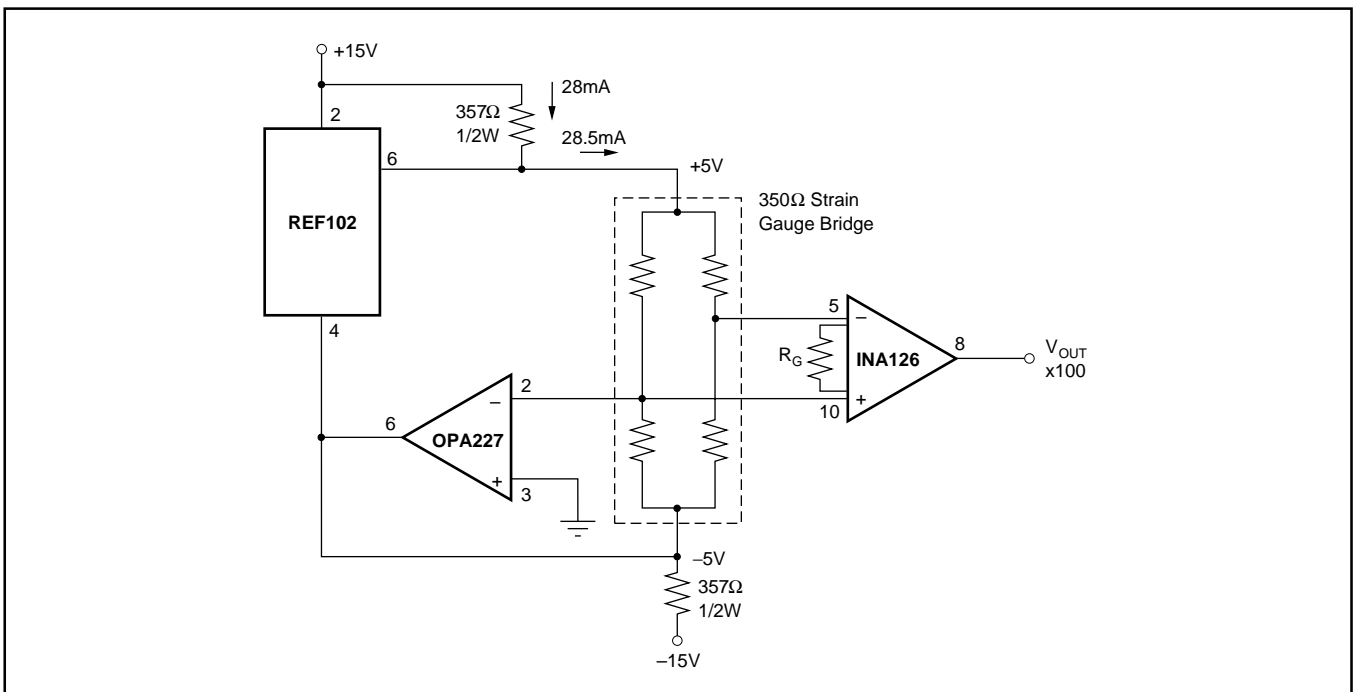


FIGURE 8. Strain Gauge Conditioner for 350Ω Bridge.



FIGURE 9. $\pm 10\text{V}$ Reference.

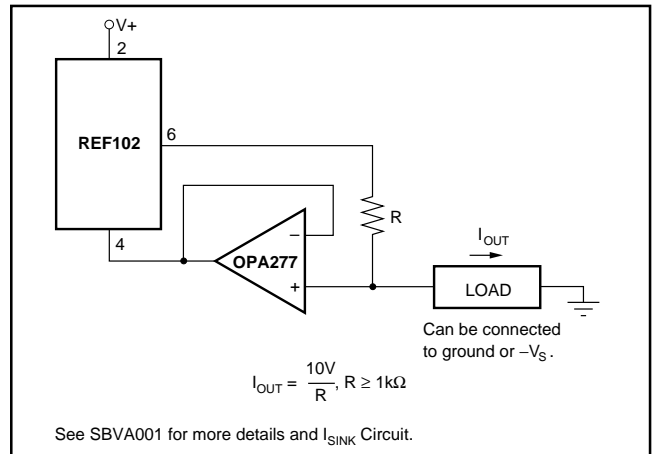


FIGURE 10. Positive Precision Current Source.

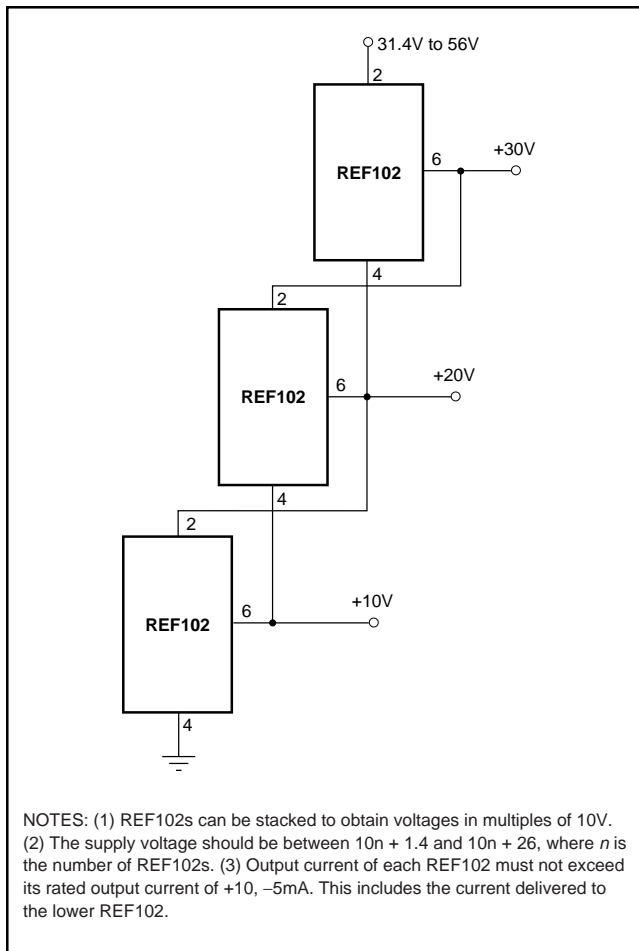


FIGURE 11. Stacked References.

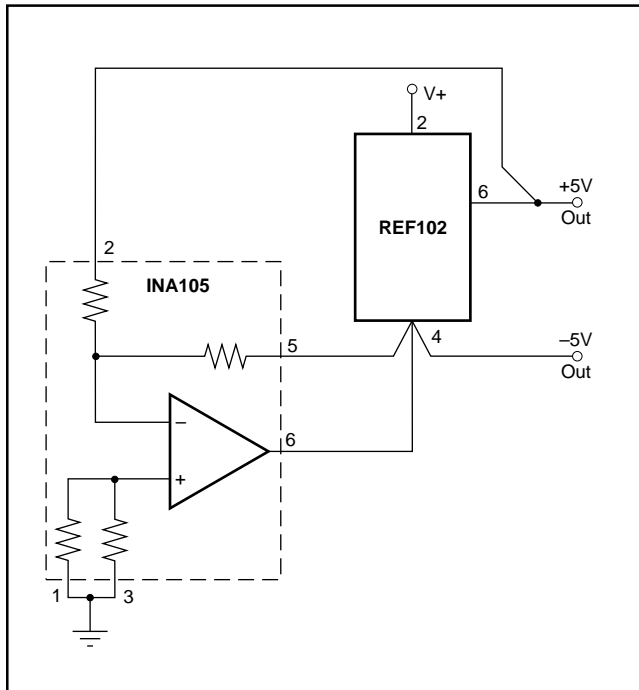


FIGURE 12. ±5V Reference.

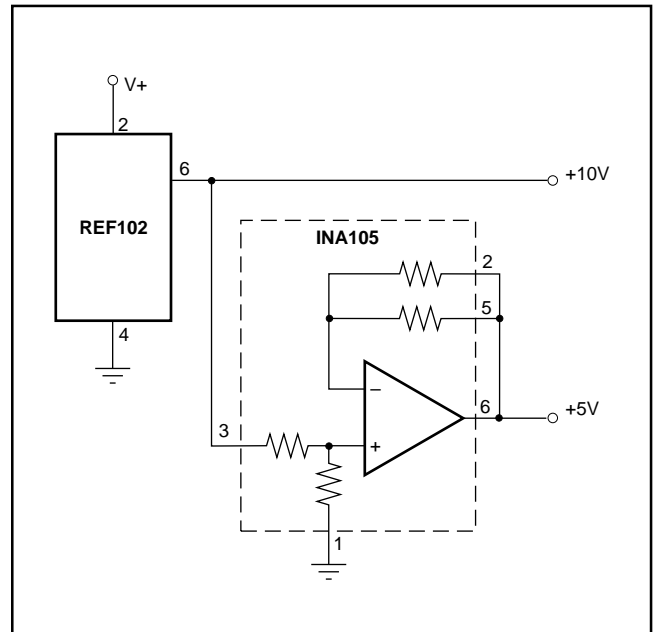


FIGURE 13. +5V and +10V Reference.

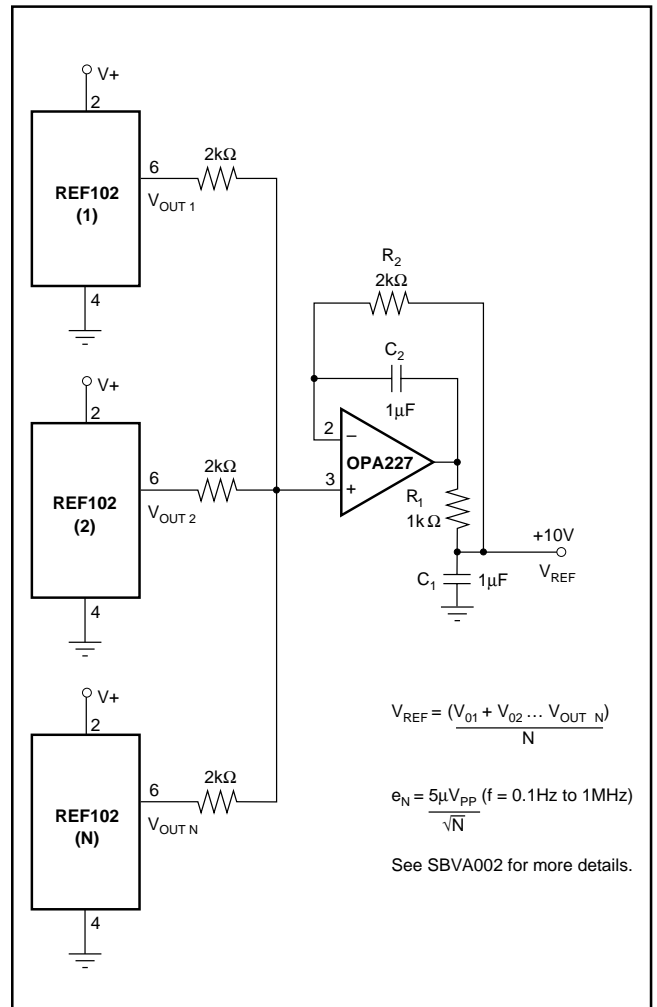


FIGURE 14. Precision Voltage Reference with Extremely Low Noise.

PACKAGING INFORMATION

Orderable Device	Status ⁽¹⁾	Package Type	Package Drawing	Pins	Package Qty	Eco Plan ⁽²⁾	Lead/Ball Finish	MSL Peak Temp ⁽³⁾
REF102AM	OBSOLETE	TO-99	LMC	8		None	Call TI	Call TI
REF102AP	ACTIVE	PDIP	P	8	50	Pb-Free (RoHS)	Call TI	Level-NC-NC-NC
REF102AU	ACTIVE	SOIC	D	8	100	None	CU NIPDAU	Level-2-220C-1 YEAR
REF102AU/2K5	ACTIVE	SOIC	D	8	2500	None	CU NIPDAU	Level-2-220C-1 YEAR
REF102BM	OBSOLETE	TO-99	LMC	8		None	Call TI	Call TI
REF102BP	ACTIVE	PDIP	P	8	50	Pb-Free (RoHS)	Call TI	Level-NC-NC-NC
REF102BU	ACTIVE	SOIC	D	8	100	None	CU NIPDAU	Level-1-220C-UNLIM
REF102CM	OBSOLETE	TO-99	LMC	8		None	Call TI	Call TI
REF102CP	ACTIVE	PDIP	P	8	50	Pb-Free (RoHS)	Call TI	Level-NC-NC-NC
REF102CU	ACTIVE	SOIC	D	8	100	None	CU NIPDAU	Level-1-220C-UNLIM
REF102RM	OBSOLETE	TO-99	LMC	8		None	Call TI	Call TI
REF102SM	OBSOLETE	TO-99	LMC	8		None	Call TI	Call TI

⁽¹⁾ The marketing status values are defined as follows:

ACTIVE: Product device recommended for new designs.

LIFEBUY: TI has announced that the device will be discontinued, and a lifetime-buy period is in effect.

NRND: Not recommended for new designs. Device is in production to support existing customers, but TI does not recommend using this part in a new design.

PREVIEW: Device has been announced but is not in production. Samples may or may not be available.

OBSOLETE: TI has discontinued the production of the device.

⁽²⁾ Eco Plan - May not be currently available - please check <http://www.ti.com/productcontent> for the latest availability information and additional product content details.

None: Not yet available Lead (Pb-Free).

Pb-Free (RoHS): TI's terms "Lead-Free" or "Pb-Free" mean semiconductor products that are compatible with the current RoHS requirements for all 6 substances, including the requirement that lead not exceed 0.1% by weight in homogeneous materials. Where designed to be soldered at high temperatures, TI Pb-Free products are suitable for use in specified lead-free processes.

Green (RoHS & no Sb/Br): TI defines "Green" to mean "Pb-Free" and in addition, uses package materials that do not contain halogens, including bromine (Br) or antimony (Sb) above 0.1% of total product weight.

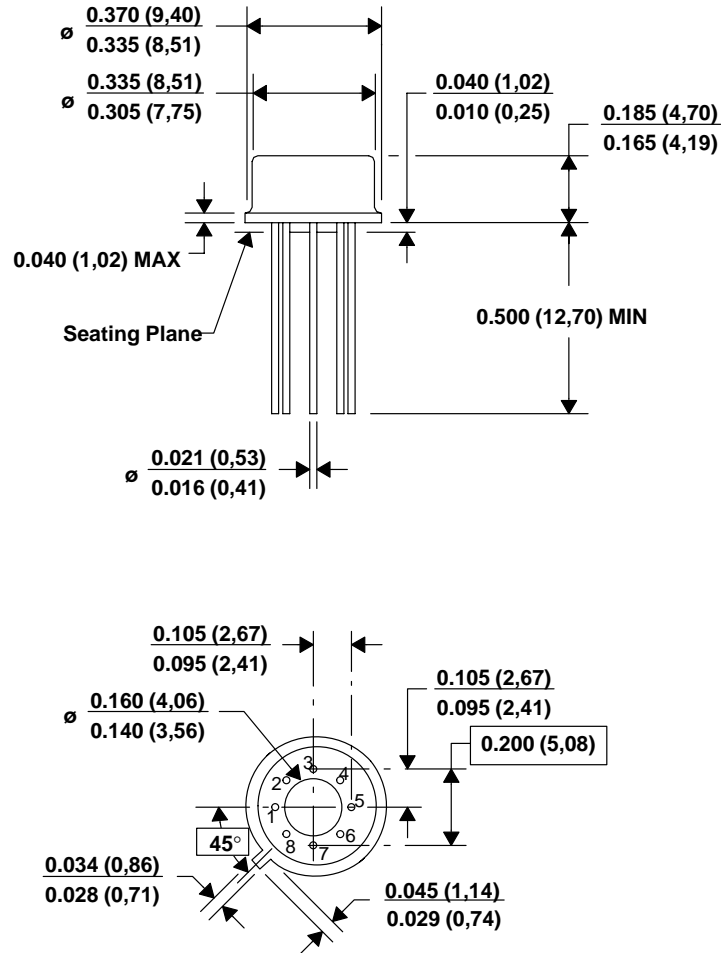
⁽³⁾ MSL, Peak Temp. -- The Moisture Sensitivity Level rating according to the JEDEC industry standard classifications, and peak solder temperature.

Important Information and Disclaimer: The information provided on this page represents TI's knowledge and belief as of the date that it is provided. TI bases its knowledge and belief on information provided by third parties, and makes no representation or warranty as to the accuracy of such information. Efforts are underway to better integrate information from third parties. TI has taken and continues to take reasonable steps to provide representative and accurate information but may not have conducted destructive testing or chemical analysis on incoming materials and chemicals. TI and TI suppliers consider certain information to be proprietary, and thus CAS numbers and other limited information may not be available for release.

In no event shall TI's liability arising out of such information exceed the total purchase price of the TI part(s) at issue in this document sold by TI to Customer on an annual basis.

LMC (O-MBCY-W8)

METAL CYLINDRICAL



4202483/A 03/01

- NOTES:
- A. All linear dimensions are in inches (millimeters).
 - B. This drawing is subject to change without notice.
 - C. Leads in true position within 0.010 (0,25) R @ MMC at seating plane.
 - D. Pin numbers shown for reference only. Numbers may not be marked on package.
 - E. Falls within JEDEC MO-002/TO-99.

P (R-PDIP-T8)

PLASTIC DUAL-IN-LINE



- NOTES: A. All linear dimensions are in inches (millimeters).
 B. This drawing is subject to change without notice.
 C. Falls within JEDEC MS-001

For the latest package information, go to http://www.ti.com/sc/docs/package/pkg_info.htm

D (R-PDSO-G8)

PLASTIC SMALL-OUTLINE PACKAGE



- NOTES:
- A. All linear dimensions are in inches (millimeters).
 - B. This drawing is subject to change without notice.
 - C. Body dimensions do not include mold flash or protrusion not to exceed 0.006 (0,15).
 - D. Falls within JEDEC MS-012 variation AA.

IMPORTANT NOTICE

Texas Instruments Incorporated and its subsidiaries (TI) reserve the right to make corrections, modifications, enhancements, improvements, and other changes to its products and services at any time and to discontinue any product or service without notice. Customers should obtain the latest relevant information before placing orders and should verify that such information is current and complete. All products are sold subject to TI's terms and conditions of sale supplied at the time of order acknowledgment.

TI warrants performance of its hardware products to the specifications applicable at the time of sale in accordance with TI's standard warranty. Testing and other quality control techniques are used to the extent TI deems necessary to support this warranty. Except where mandated by government requirements, testing of all parameters of each product is not necessarily performed.

TI assumes no liability for applications assistance or customer product design. Customers are responsible for their products and applications using TI components. To minimize the risks associated with customer products and applications, customers should provide adequate design and operating safeguards.

TI does not warrant or represent that any license, either express or implied, is granted under any TI patent right, copyright, mask work right, or other TI intellectual property right relating to any combination, machine, or process in which TI products or services are used. Information published by TI regarding third-party products or services does not constitute a license from TI to use such products or services or a warranty or endorsement thereof. Use of such information may require a license from a third party under the patents or other intellectual property of the third party, or a license from TI under the patents or other intellectual property of TI.

Reproduction of information in TI data books or data sheets is permissible only if reproduction is without alteration and is accompanied by all associated warranties, conditions, limitations, and notices. Reproduction of this information with alteration is an unfair and deceptive business practice. TI is not responsible or liable for such altered documentation.

Resale of TI products or services with statements different from or beyond the parameters stated by TI for that product or service voids all express and any implied warranties for the associated TI product or service and is an unfair and deceptive business practice. TI is not responsible or liable for any such statements.

Following are URLs where you can obtain information on other Texas Instruments products and application solutions:

Products		Applications	
Amplifiers	amplifier.ti.com	Audio	www.ti.com/audio
Data Converters	dataconverter.ti.com	Automotive	www.ti.com/automotive
DSP	dsp.ti.com	Broadband	www.ti.com/broadband
Interface	interface.ti.com	Digital Control	www.ti.com/digitalcontrol
Logic	logic.ti.com	Military	www.ti.com/military
Power Mgmt	power.ti.com	Optical Networking	www.ti.com/opticalnetwork
Microcontrollers	microcontroller.ti.com	Security	www.ti.com/security
		Telephony	www.ti.com/telephony
		Video & Imaging	www.ti.com/video
		Wireless	www.ti.com/wireless

Mailing Address: Texas Instruments
Post Office Box 655303 Dallas, Texas 75265