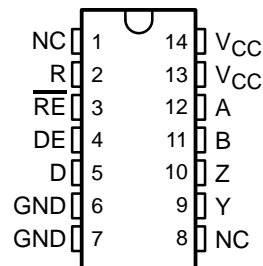


SN65ALS180, SN75ALS180 DIFFERENTIAL DRIVER AND RECEIVER PAIRS

SLLS052G – AUGUST 1987 – REVISED APRIL 2003

- Meet or Exceed the Requirements of TIA/EIA-422-B, TIA/EIA-485-A† and ITU Recommendation V.11
- High-Speed Advanced Low-Power Schottky Circuitry
- Designed for 25-Mbaud Operation in Both Serial and Parallel Applications
- Low Skew Between Devices . . . 6 ns Max
- Low Supply-Current Requirements . . . 30 mA Max
- Individual Driver and Receiver I/O Pins With Dual V_{CC} and Dual GND
- Wide Positive and Negative Input/Output Bus Voltage Ranges
- Driver Output Capacity . . . ±60 mA
- Thermal Shutdown Protection
- Driver Positive- and Negative-Current Limiting
- Receiver Input Impedance . . . 12 kΩ Min
- Receiver Input Sensitivity . . . ±200 mV Max
- Receiver Input Hysteresis . . . 60 mV Typ
- Operate From a Single 5-V Supply
- Glitch-Free Power-Up and Power-Down Protection

SN65ALS180 . . . D PACKAGE
SN75ALS180 . . . D OR N PACKAGE
(TOP VIEW)



NC – No internal connection

description/ordering information

The SN65ALS180 and SN75ALS180 differential driver and receiver pairs are integrated circuits designed for bidirectional data communication on multipoint bus-transmission lines. They are designed for balanced transmission lines and meet TIA/EIA-422-B, TIA/EIA-485-A, and ITU Recommendation V.11.

ORDERING INFORMATION

TA	PACKAGE†		ORDERABLE PART NUMBER	TOP-SIDE MARKING
0°C to 70°C	PDIP (N)	Tube of 25	SN75ALS180N	SN75ALS180N
	SOIC (D)	Tube of 50	SN75ALS180D	75ALS180
		Reel of 2500	SN75ALS180DR	
–40°C to 85°C	SOIC (D)	Tube of 50	SN65ALS180D	65ALS180
		Reel of 2500	SN65ALS180DR	

† Package drawings, standard packing quantities, thermal data, symbolization, and PCB design guidelines are available at www.ti.com/sc/package.



Please be aware that an important notice concerning availability, standard warranty, and use in critical applications of Texas Instruments semiconductor products and disclaimers thereto appears at the end of this data sheet.

† These devices meet or exceed the requirements of TIA/EIA-485-A, except for the Generator Contention Test (para. 3.4.2) and the Generator Current Limit (para. 3.4.3). The applied test voltage ranges are –6 V to 8 V for the SN75ALS180 and –4 V to 8 V for the SN65ALS180.

PRODUCTION DATA information is current as of publication date. Products conform to specifications per the terms of Texas Instruments standard warranty. Production processing does not necessarily include testing of all parameters.

 **TEXAS
INSTRUMENTS**

POST OFFICE BOX 655303 • DALLAS, TEXAS 75265

Copyright © 2003, Texas Instruments Incorporated

SN65ALS180, SN75ALS180 DIFFERENTIAL DRIVER AND RECEIVER PAIRS

SLLS052G – AUGUST 1987 – REVISED APRIL 2003

description/ordering information (continued)

The SN65ALS180 and SN75ALS180 combine a 3-state differential line driver and a differential input line receiver, both of which operate from a single 5-V power supply. The driver and receiver have active-high and active-low enables, respectively, that can be connected together externally to function as a direction control. The driver differential outputs and the receiver differential inputs are connected to separate terminals for greater flexibility and are designed to offer minimum loading to the bus when the driver is disabled or $V_{CC} = 0$.

These ports feature wide positive and negative common-mode voltage ranges, making the device suitable for party-line applications.

Function Tables

DRIVER

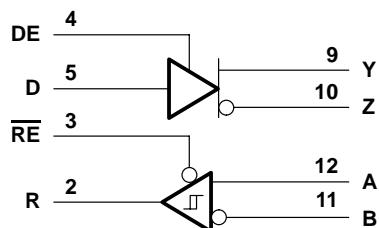
INPUT D	ENABLE DE	OUTPUTS	
		Y	Z
H	H	H	L
L	H	L	H
X	L	Z	Z

RECEIVER

DIFFERENTIAL INPUTS A-B	ENABLE RE	OUTPUT R
$V_{ID} \geq 0.2 V$	L	H
$-0.2 V < V_{ID} < 0.2 V$	L	?
$V_{ID} \leq -0.2 V$	L	L
X	H	Z
Open	L	H

H = high level, L = low level, ? = indeterminate, X = irrelevant, Z = high impedance (off)

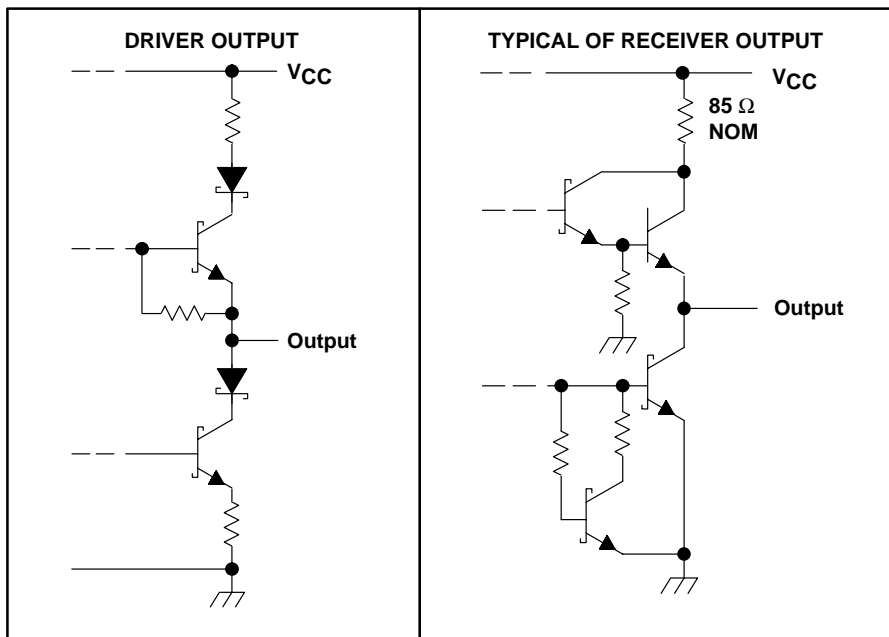
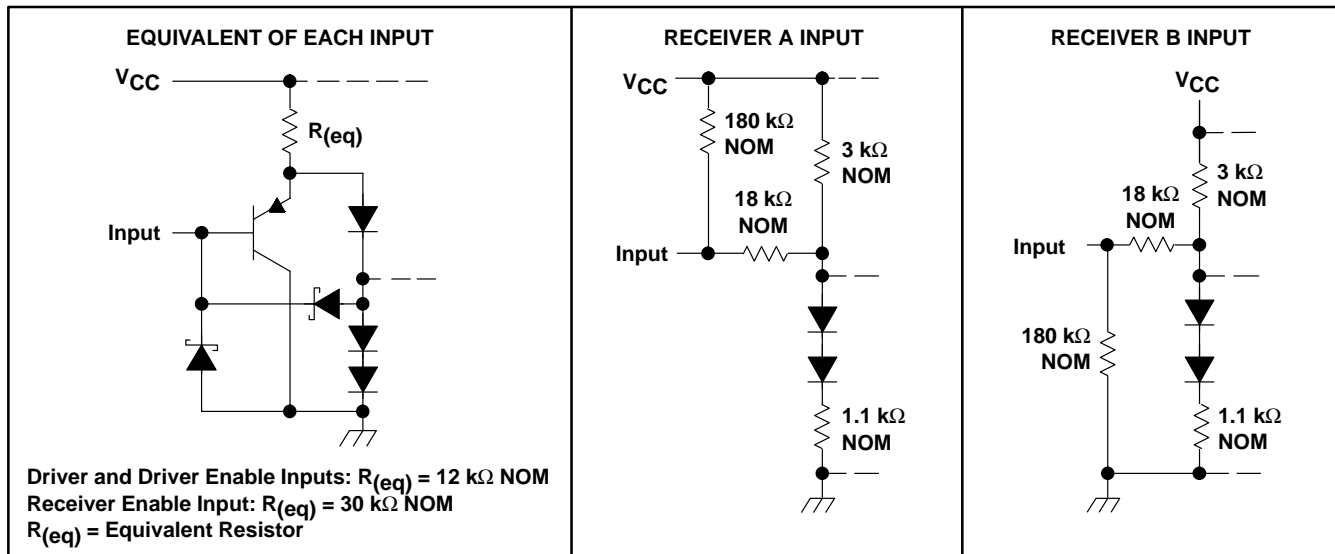
logic diagram (positive logic)



SN65ALS180, SN75ALS180 DIFFERENTIAL DRIVER AND RECEIVER PAIRS

SLLS052G – AUGUST 1987 – REVISED APRIL 2003

schematics of inputs and outputs



SN65ALS180, SN75ALS180 DIFFERENTIAL DRIVER AND RECEIVER PAIRS

SLLS052G – AUGUST 1987 – REVISED APRIL 2003

absolute maximum ratings over operating free-air temperature range (unless otherwise noted)†

Supply voltage, V_{CC} (see Note 1)	7 V
Voltage range at any bus terminal	-10 V to 15 V
Enable input voltage, V_I	5.5 V
Package thermal impedance, θ_{JA} (see Notes 2 and 3): D package	86°C/W
N package	80°C/W
Operating virtual junction temperature, T_J	150°C
Lead temperature 1,6 mm (1/16 inch) from case for 10 seconds	260°C
Storage temperature range, T_{st}	-65°C to 150°C

† Stresses beyond those listed under “absolute maximum ratings” may cause permanent damage to the device. These are stress ratings only, and functional operation of the device at these or any other conditions beyond those indicated under “recommended operating conditions” is not implied. Exposure to absolute-maximum-rated conditions for extended periods may affect device reliability.

- NOTES: 1. All voltage values, except differential I/O bus voltage, are with respect to network ground terminal.
 2. Maximum power dissipation is a function of $T_{J(max)}$, θ_{JA} , and T_A . The maximum allowable power dissipation at any allowable ambient temperature is $P_D = (T_{J(max)} - T_A)/\theta_{JA}$. Operating at the absolute maximum T_J of 150°C can affect reliability.
 3. The package thermal impedance is calculated in accordance with JESD 51-7.

recommended operating conditions

		MIN	NOM	MAX	UNIT
V_{CC}	Supply voltage	4.75	5	5.25	V
V_I or V_{IC}	Voltage at any bus terminal (separately or common mode)			12	V
				-7	
V_{IH}	High-level input voltage	D, DE, and \overline{RE}		2	V
V_{IL}	Low-level input voltage	D, DE, and \overline{RE}		0.8	V
V_{ID}	Differential input voltage (see Note 4)			±12	V
I_{OH}	High-level output current	Driver		-60	mA
		Receiver		-400	µA
I_{OL}	Low-level output current	Driver		60	mA
		Receiver		8	
T_A	Operating free-air temperature	SN65ALS180	-40	85	°C
		SN75ALS180	0	70	

NOTE 4: Differential-input/output bus voltage is measured at the noninverting terminal, A/Y, with respect to the inverting terminal, B/Z.



SN65ALS180, SN75ALS180 DIFFERENTIAL DRIVER AND RECEIVER PAIRS

SLLS052G – AUGUST 1987 – REVISED APRIL 2003

DRIVERS

electrical characteristics over recommended ranges of supply voltage and operating free-air temperature range (unless otherwise noted)

PARAMETER	TEST CONDITION†	MIN	TYP‡	MAX	UNIT			
V _{IK}	Input clamp voltage	I _I = -18 mA		-1.5	V			
V _O	Output voltage	I _O = 0		0	6	V		
V _{OD1}	Differential output voltage	I _O = 0		1.5	6	V		
V _{OD2}	Differential output voltage	R _L = 100 Ω,	See Figure 1	1/2 V _{OD1} or 2§		V		
		R _L = 54 Ω,	See Figure 1	1.5	2.5		5	
V _{OD3}	Differential output voltage	V _{test} = -7 V to 12 V, See Figure 2		1.5	5	V		
Δ V _{OD}	Change in magnitude of differential output voltage¶	R _L = 54 Ω or 100 Ω, See Figure 1		±0.2		V		
V _{OC}	Common-mode output voltage	R _L = 54 Ω or 100 Ω, See Figure 1		3	-1	V		
Δ V _{OC}	Change in magnitude of common-mode output voltage¶	R _L = 54 Ω or 100 Ω, See Figure 1		±0.2		V		
I _O	Output current	Output disabled (see Note 5)		V _O = 12 V	1	mA		
				V _O = -7 V	-0.8			
I _{IH}	High-level input current	V _I = 2.4 V		20	μA			
I _{IL}	Low-level input current	V _I = 0.4 V		-400	μA			
I _{OS}	Short-circuit output current#	V _O = -6 V	SN75ALS180	-250		mA		
		V _O = -4 V	SN65ALS180	-250				
		V _O = 0	All	-150				
		V _O = V _{CC}	All	250				
		V _O = 8 V	All	250				
I _{CC}	Supply current	No load		Driver outputs enabled, Receiver disabled		25	30	mA
				Outputs disabled		19	26	

† The power-off measurement in TIA/EIA-422-B applies to disabled outputs only and is not applied to combined inputs and outputs.

‡ All typical values are at V_{CC} = 5 V, T_A = 25°C.

§ The minimum V_{OD2} with 100-Ω load is either 1/2 V_{OD2} or 2 V, whichever is greater.

¶ Δ|V_{OD}| and Δ|V_{OC}| are the changes in magnitude of V_{OD} and V_{OC}, respectively, that occur when the input is changed from a high level to a low level.

Duration of the short circuit should not exceed one second for this test.

NOTE 5: This applies for both power on and off; refer to TIA/EIA-485-A for exact conditions. The TIA/EIA-422-B limit does not apply for a combined driver and receiver terminal.

switching characteristics over recommended ranges of supply voltage and operating free-air temperature

PARAMETER	TEST CONDITIONS	MIN	TYP‡	MAX	UNIT			
t _{d(OD)}	Differential output delay time	R _L = 54 Ω,	C _L = 50 pF,	See Figure 3	3	8	13	ns
	Pulse skew (t _{d(ODH)} - t _{d(ODL)})	R _L = 54 Ω,	C _L = 50 pF,	See Figure 3	1	6		ns
t _{t(OD)}	Differential output transition time	R _L = 54 Ω,	C _L = 50 pF,	See Figure 3	3	8	13	ns
t _{pZH}	Output enable time to high level	R _L = 110 Ω,	See Figure 4		23	50		ns
t _{pZL}	Output enable time to low level	R _L = 110 Ω,	See Figure 5		19	24		ns
t _{pHZ}	Output disable time from high level	R _L = 110 Ω,	See Figure 4		8	13		ns
t _{pLZ}	Output disable time from low level	R _L = 110 Ω,	See Figure 5		8	13		ns

‡ All typical values are at V_{CC} = 5 V and T_A = 25°C.



SN65ALS180, SN75ALS180 DIFFERENTIAL DRIVER AND RECEIVER PAIRS

SLLS052G – AUGUST 1987 – REVISED APRIL 2003

SYMBOL EQUIVALENTS

DATA-SHEET PARAMETER	TIA/EIA-422-B	TIA/EIA-485-A
V_O	V_{Oa}, V_{Ob}	V_{Oa}, V_{Ob}
$ V_{OD1} $	V_o	V_o
$ V_{OD2} $	$V_t (R_L = 100 \Omega)$	$V_t (R_L = 54 \Omega)$
$ V_{OD3} $		V_t (test termination measurement 2)
V_{test}		V_{tst}
$\Delta V_{OD} $	$ V_t - \bar{V}_t $	$ V_t - \bar{V}_t $
V_{OC}	$ V_{os} $	$ V_{os} $
$\Delta V_{OC} $	$ V_{os} - \bar{V}_{os} $	$ V_{os} - \bar{V}_{os} $
I_{OS}	$ I_{sa} , I_{sb} $	
I_O	$ I_{xa} , I_{xb} $	I_{ia}, I_{ib}

RECEIVERS

electrical characteristics over recommended ranges of common-mode input voltage, supply voltage, and operating free-air temperature (unless otherwise noted)

PARAMETER		TEST CONDITIONS		MIN	TYP†	MAX	UNIT
V_{IT+}	Positive-going input threshold voltage	$V_O = 2.7 V,$	$I_O = -0.4 mA$			0.2	V
V_{IT-}	Negative-going input threshold voltage	$V_O = 0.5 V,$	$I_O = 8 mA$	-0.2‡			V
V_{hys}	Hysteresis voltage ($V_{IT+} - V_{IT-}$)				60		mV
V_{IK}	Enable-input clamp voltage	$I_I = -18 mA$				-1.5	V
V_{OH}	High-level output voltage	$V_{ID} = 200 mV,$	$I_{OH} = -400 \mu A,$ See Figure 6	2.7			V
V_{OL}	Low-level output voltage	$V_{ID} = -200 mV,$	$I_{OL} = 8 mA,$ See Figure 6			0.45	V
I_{OZ}	High-impedance-state output current	$V_O = 0.4 V$ to $2.4 V$				± 20	μA
I_I	Line input current	Other input = 0 V (see Note 6)	$V_I = 12 V$			1	mA
			$V_I = -7 V$			-0.8	
I_{IH}	High-level enable-input current	$V_{IH} = 2.7 V$				20	μA
I_{IL}	Low-level enable-input current	$V_{IL} = 0.4 V$				-100	μA
r_i	Input resistance			12			k Ω
I_{OS}	Short-circuit output current	$V_{ID} = 200 mV,$	$V_O = 0$	-15		-85	mA
I_{CC}	Supply current	No load	Receiver outputs enabled, Driver inputs disabled		19	30	mA
			Outputs disabled		19	26	

† All typical values are at $V_{CC} = 5 V, T_A = 25^\circ C$.

‡ The algebraic convention, in which the less positive (more negative) limit is designated minimum, is used in this data sheet for common-mode input voltage and threshold voltage levels only.

NOTE 6: This applies for both power on and power off. Refer to TIA/EIA-485-A for exact conditions.



switching characteristics over recommended ranges of supply voltage and operating free-air temperature

PARAMETER	TEST CONDITIONS	MIN	TYP†	MAX	UNIT
t_{PLH} Propagation delay time, low- to high-level output	$V_{ID} = -1.5\text{ V to }1.5\text{ V}$, See Figure 7	9	14	19	ns
t_{PHL} Propagation delay time, high- to low-level output	$V_{ID} = -1.5\text{ V to }1.5\text{ V}$, See Figure 7	9	14	19	ns
Skew ($ t_{PHL} - t_{PLH} $)	$V_{ID} = -1.5\text{ V to }1.5\text{ V}$, See Figure 7		2	6	ns
t_{PZH} Output enable time to high level	$C_L = 15\text{ pF}$, See Figure 8		7	14	ns
t_{PZL} Output enable time to low level	$C_L = 15\text{ pF}$, See Figure 8		7	14	ns
t_{PHZ} Output disable time from high level	$C_L = 15\text{ pF}$, See Figure 8		20	35	ns
t_{PLZ} Output disable time from low level	$C_L = 15\text{ pF}$, See Figure 8		8	17	ns

† All typical values are at $V_{CC} = 5\text{ V}$, $T_A = 25^\circ\text{C}$.

PARAMETER MEASUREMENT INFORMATION

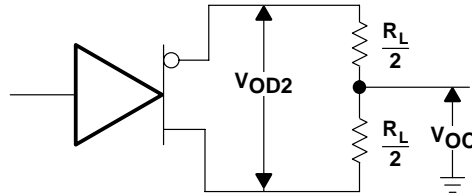


Figure 1. Driver V_{OD} and V_{OC}

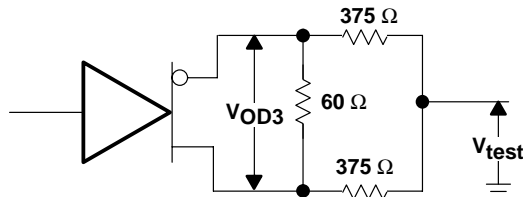
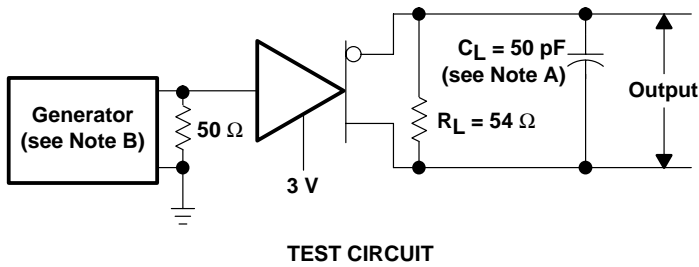


Figure 2. Driver V_{OD3}

SN65ALS180, SN75ALS180 DIFFERENTIAL DRIVER AND RECEIVER PAIRS

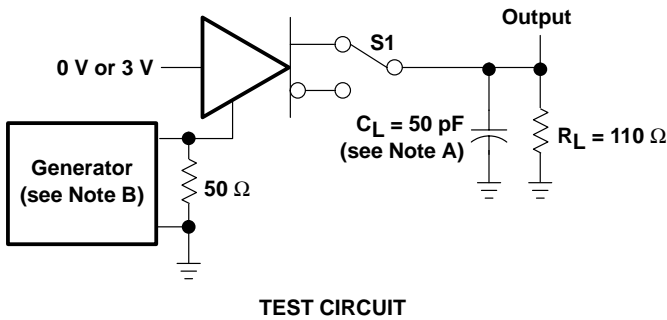
SLLS052G – AUGUST 1987 – REVISED APRIL 2003

PARAMETER MEASUREMENT INFORMATION



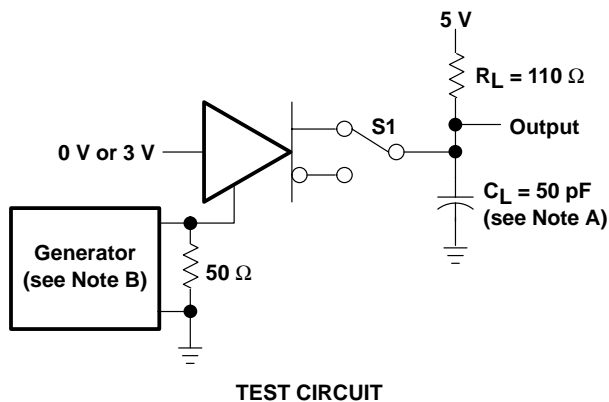
- NOTES: A. C_L includes probe and jig capacitance.
 B. The input pulse is supplied by a generator having the following characteristics: $PRR \leq 1$ MHz, 50% duty cycle, $t_r \leq 6$ ns, $t_f \leq 6$ ns, $Z_0 = 50 \Omega$.

Figure 3. Driver Test Circuit and Voltage Waveforms



- NOTES: A. C_L includes probe and jig capacitance.
 B. The input pulse is supplied by a generator having the following characteristics: $PRR \leq 1$ MHz, 50% duty cycle, $t_r \leq 6$ ns, $t_f \leq 6$ ns, $Z_0 = 50 \Omega$.

Figure 4. Driver Test Circuit and Voltage Waveforms



- NOTES: A. C_L includes probe and jig capacitance.
 B. The input pulse is supplied by a generator having the following characteristics: $PRR \leq 1$ MHz, 50% duty cycle, $t_r \leq 6$ ns, $t_f \leq 6$ ns, $Z_0 = 50 \Omega$.

Figure 5. Driver Test Circuit and Voltage Waveforms

PARAMETER MEASUREMENT INFORMATION

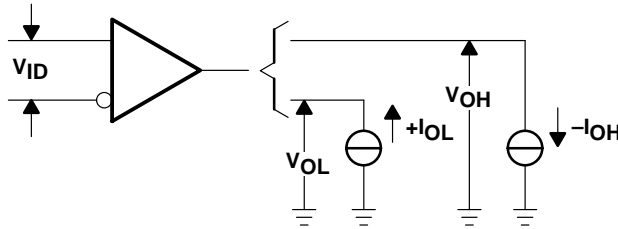
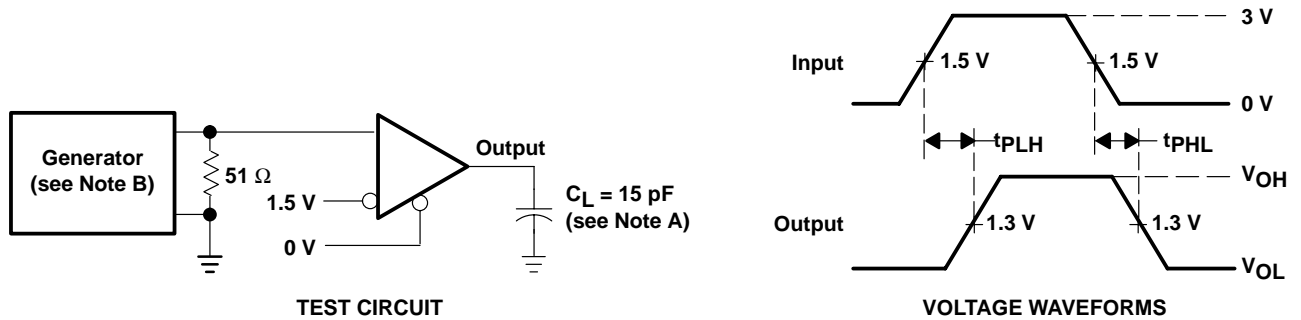


Figure 6. Receiver V_{OH} and V_{OL}



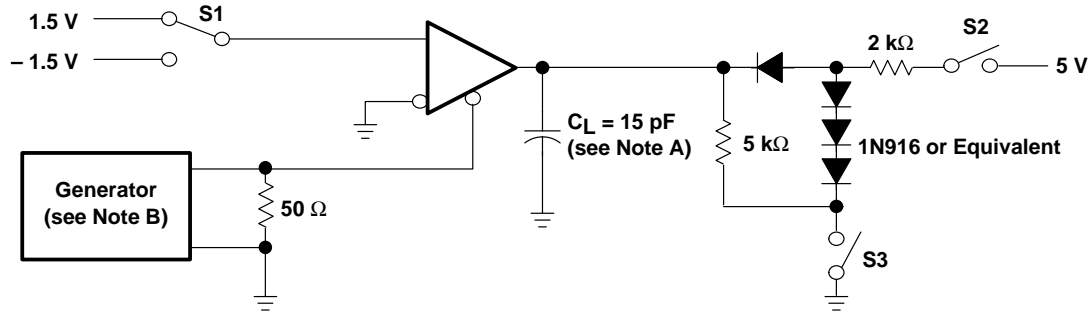
- NOTES: A. C_L includes probe and jig capacitance.
B. The input pulse is supplied by a generator having the following characteristics: $\text{PRR} \leq 1\ \text{MHz}$, 50% duty cycle, $t_r \leq 6\ \text{ns}$, $t_f \leq 6\ \text{ns}$, $Z_O = 50\ \Omega$.

Figure 7. Receiver Test Circuit and Voltage Waveforms

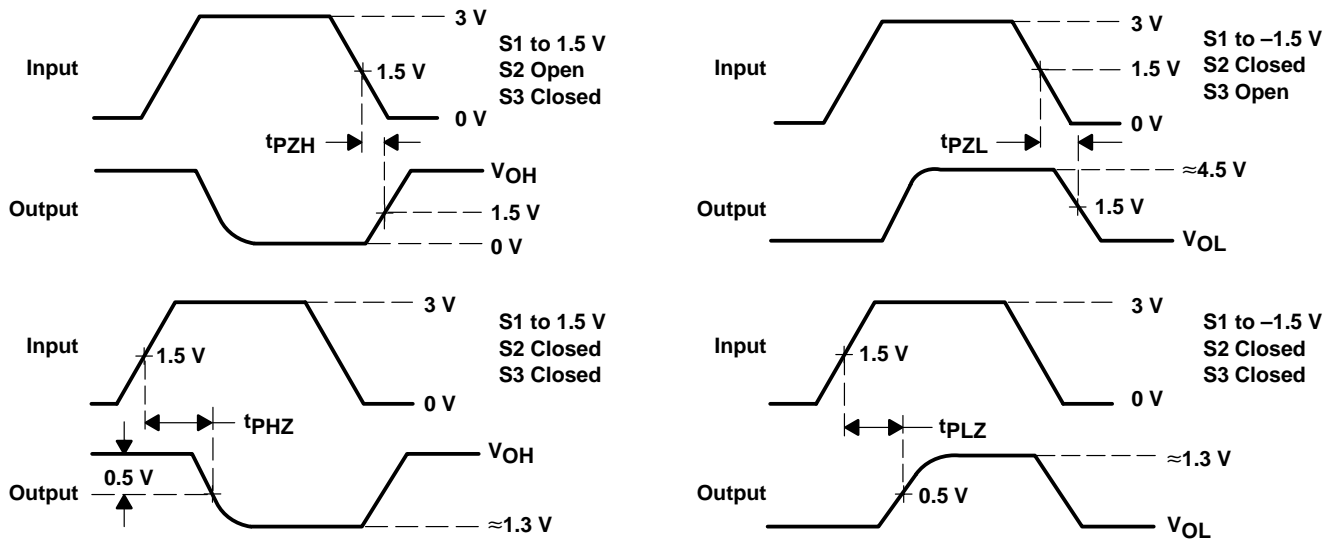
SN65ALS180, SN75ALS180 DIFFERENTIAL DRIVER AND RECEIVER PAIRS

SLLS052G – AUGUST 1987 – REVISED APRIL 2003

PARAMETER MEASUREMENT INFORMATION



TEST CIRCUIT



VOLTAGE WAVEFORMS

- NOTES: A. C_L includes probe and jig capacitance.
 B. The input pulse is supplied by a generator having the following characteristics: $\text{PRR} \leq 1 \text{ MHz}$, 50% duty cycle, $t_r \leq 6 \text{ ns}$, $t_f \leq 6 \text{ ns}$, $Z_O = 50 \Omega$.

Figure 8. Receiver Test Circuit and Voltage Waveforms

TYPICAL CHARACTERISTICS – DRIVERS

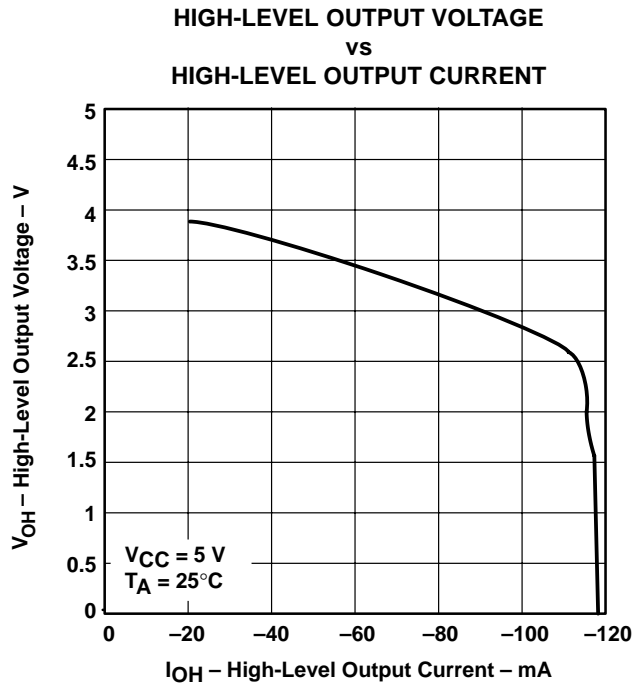


Figure 9

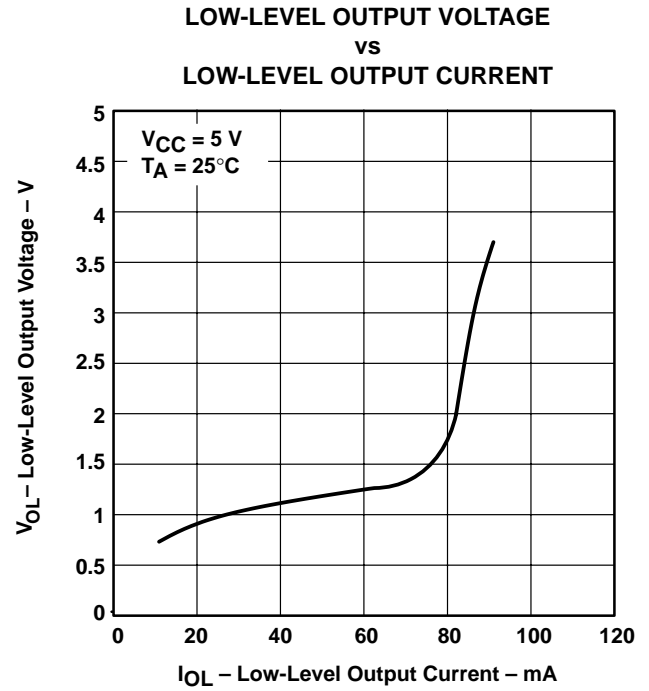


Figure 10

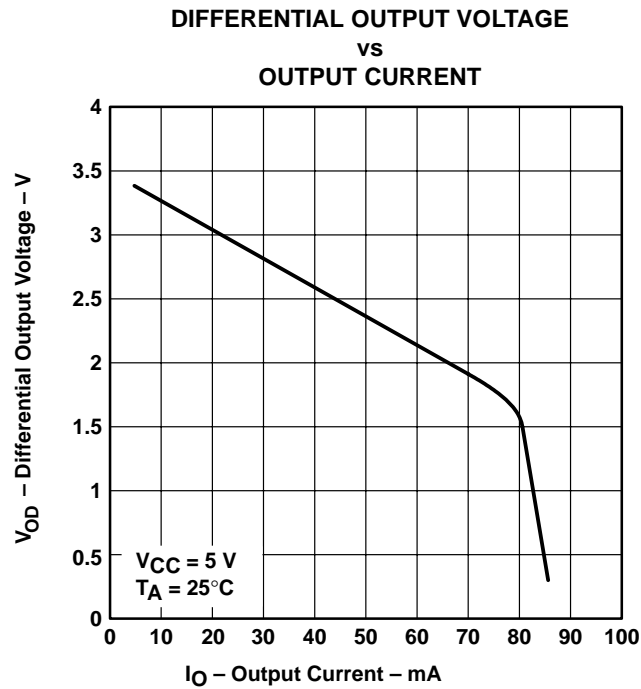


Figure 11

SN65ALS180, SN75ALS180 DIFFERENTIAL DRIVER AND RECEIVER PAIRS

SLLS052G – AUGUST 1987 – REVISED APRIL 2003

TYPICAL CHARACTERISTICS – RECEIVERS

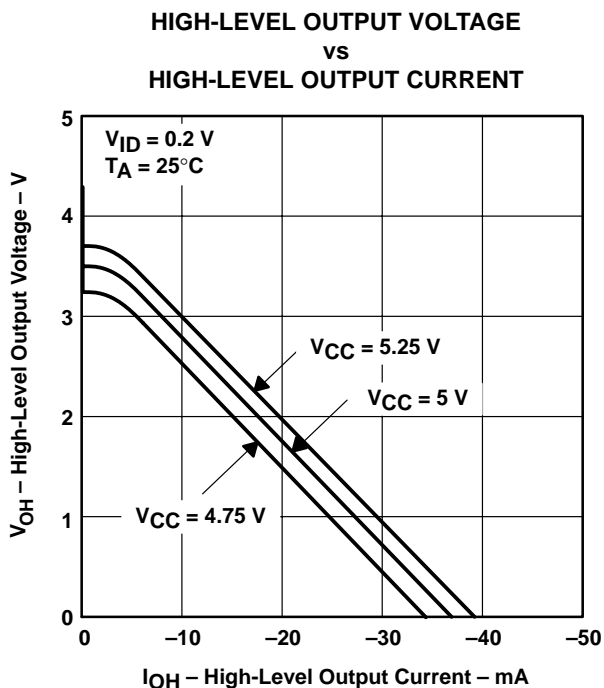


Figure 12

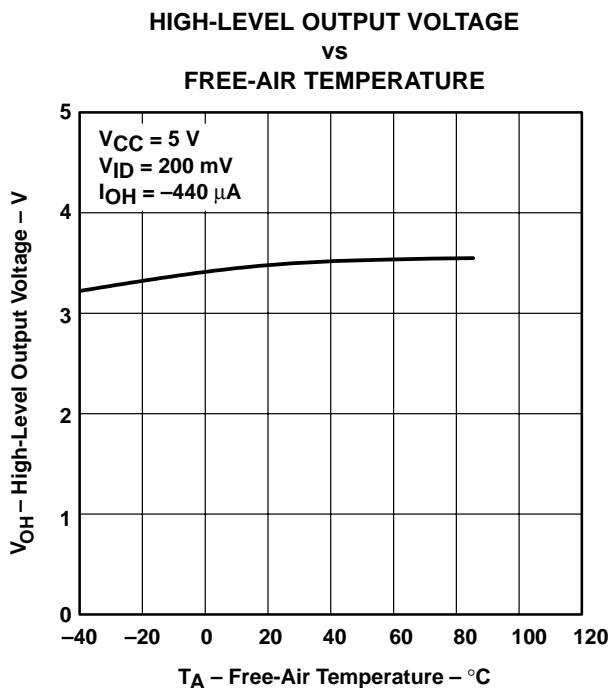


Figure 13

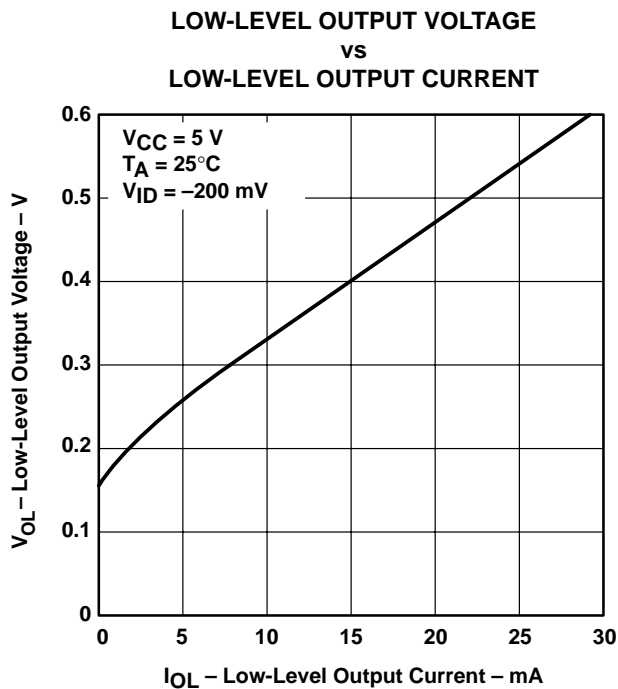


Figure 14

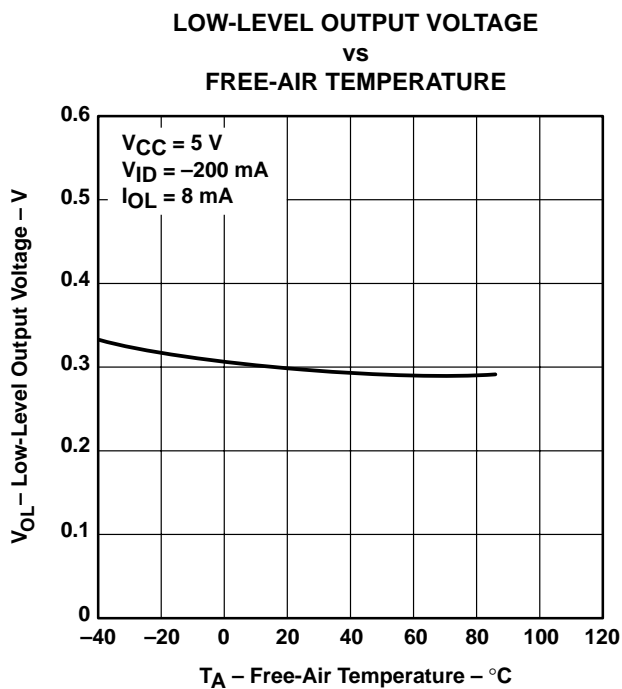


Figure 15



TYPICAL CHARACTERISTICS – RECEIVERS

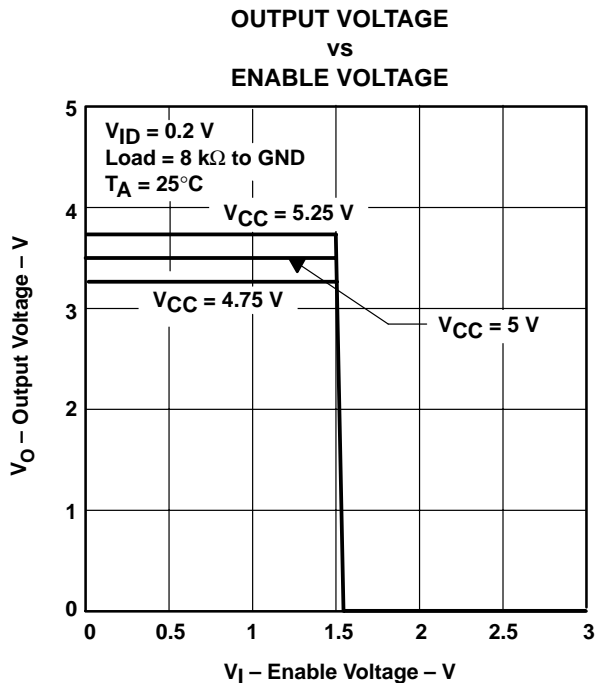


Figure 16

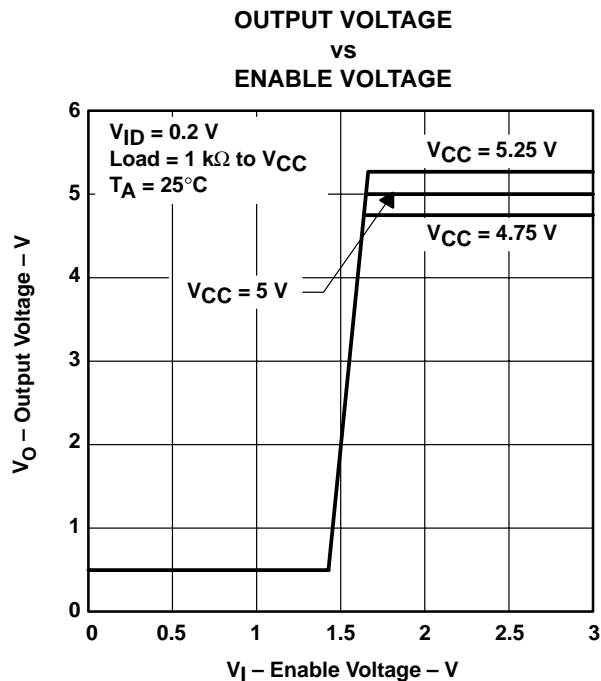
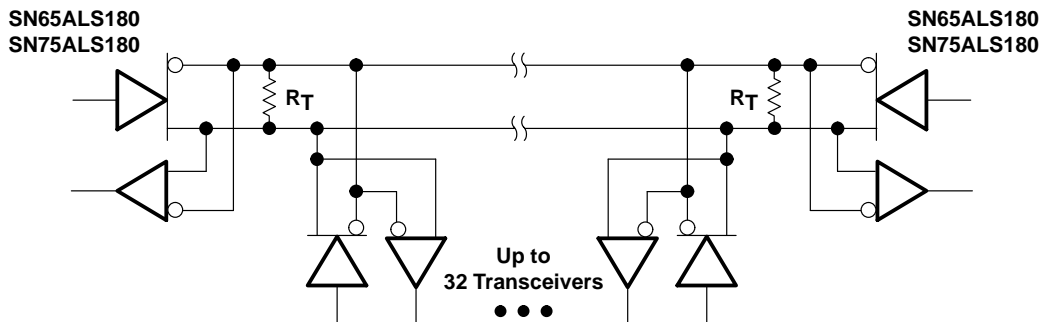


Figure 17

APPLICATION INFORMATION



NOTE A: The line should terminate at both ends in its characteristic impedance ($R_T = Z_0$). Stub lengths off the main line should be kept as short as possible.

Figure 18. Typical Application Circuit

PACKAGING INFORMATION

Orderable Device	Status ⁽¹⁾	Package Type	Package Drawing	Pins	Package Qty	Eco Plan ⁽²⁾	Lead/Ball Finish	MSL Peak Temp ⁽³⁾
SN65ALS180D	ACTIVE	SOIC	D	14	50	Pb-Free (RoHS)	CU NIPDAU	Level-2-260C-1 YEAR/ Level-1-235C-UNLIM
SN65ALS180DR	ACTIVE	SOIC	D	14	2500	Pb-Free (RoHS)	CU NIPDAU	Level-2-260C-1 YEAR/ Level-1-235C-UNLIM
SN65ALS180N	OBSOLETE	PDIP	N	14		None	Call TI	Call TI
SN75ALS180D	ACTIVE	SOIC	D	14	50	Pb-Free (RoHS)	CU NIPDAU	Level-2-260C-1 YEAR/ Level-1-235C-UNLIM
SN75ALS180DR	ACTIVE	SOIC	D	14	2500	Pb-Free (RoHS)	CU NIPDAU	Level-2-260C-1 YEAR/ Level-1-235C-UNLIM
SN75ALS180N	ACTIVE	PDIP	N	14	25	Pb-Free (RoHS)	CU NIPDAU	Level-NC-NC-NC

⁽¹⁾ The marketing status values are defined as follows:

ACTIVE: Product device recommended for new designs.

LIFEBUY: TI has announced that the device will be discontinued, and a lifetime-buy period is in effect.

NRND: Not recommended for new designs. Device is in production to support existing customers, but TI does not recommend using this part in a new design.

PREVIEW: Device has been announced but is not in production. Samples may or may not be available.

OBSOLETE: TI has discontinued the production of the device.

⁽²⁾ Eco Plan - May not be currently available - please check <http://www.ti.com/productcontent> for the latest availability information and additional product content details.

None: Not yet available Lead (Pb-Free).

Pb-Free (RoHS): TI's terms "Lead-Free" or "Pb-Free" mean semiconductor products that are compatible with the current RoHS requirements for all 6 substances, including the requirement that lead not exceed 0.1% by weight in homogeneous materials. Where designed to be soldered at high temperatures, TI Pb-Free products are suitable for use in specified lead-free processes.

Green (RoHS & no Sb/Br): TI defines "Green" to mean "Pb-Free" and in addition, uses package materials that do not contain halogens, including bromine (Br) or antimony (Sb) above 0.1% of total product weight.

⁽³⁾ MSL, Peak Temp. -- The Moisture Sensitivity Level rating according to the JEDEC industry standard classifications, and peak solder temperature.

Important Information and Disclaimer: The information provided on this page represents TI's knowledge and belief as of the date that it is provided. TI bases its knowledge and belief on information provided by third parties, and makes no representation or warranty as to the accuracy of such information. Efforts are underway to better integrate information from third parties. TI has taken and continues to take reasonable steps to provide representative and accurate information but may not have conducted destructive testing or chemical analysis on incoming materials and chemicals. TI and TI suppliers consider certain information to be proprietary, and thus CAS numbers and other limited information may not be available for release.

In no event shall TI's liability arising out of such information exceed the total purchase price of the TI part(s) at issue in this document sold by TI to Customer on an annual basis.

N (R-PDIP-T**)

PLASTIC DUAL-IN-LINE PACKAGE

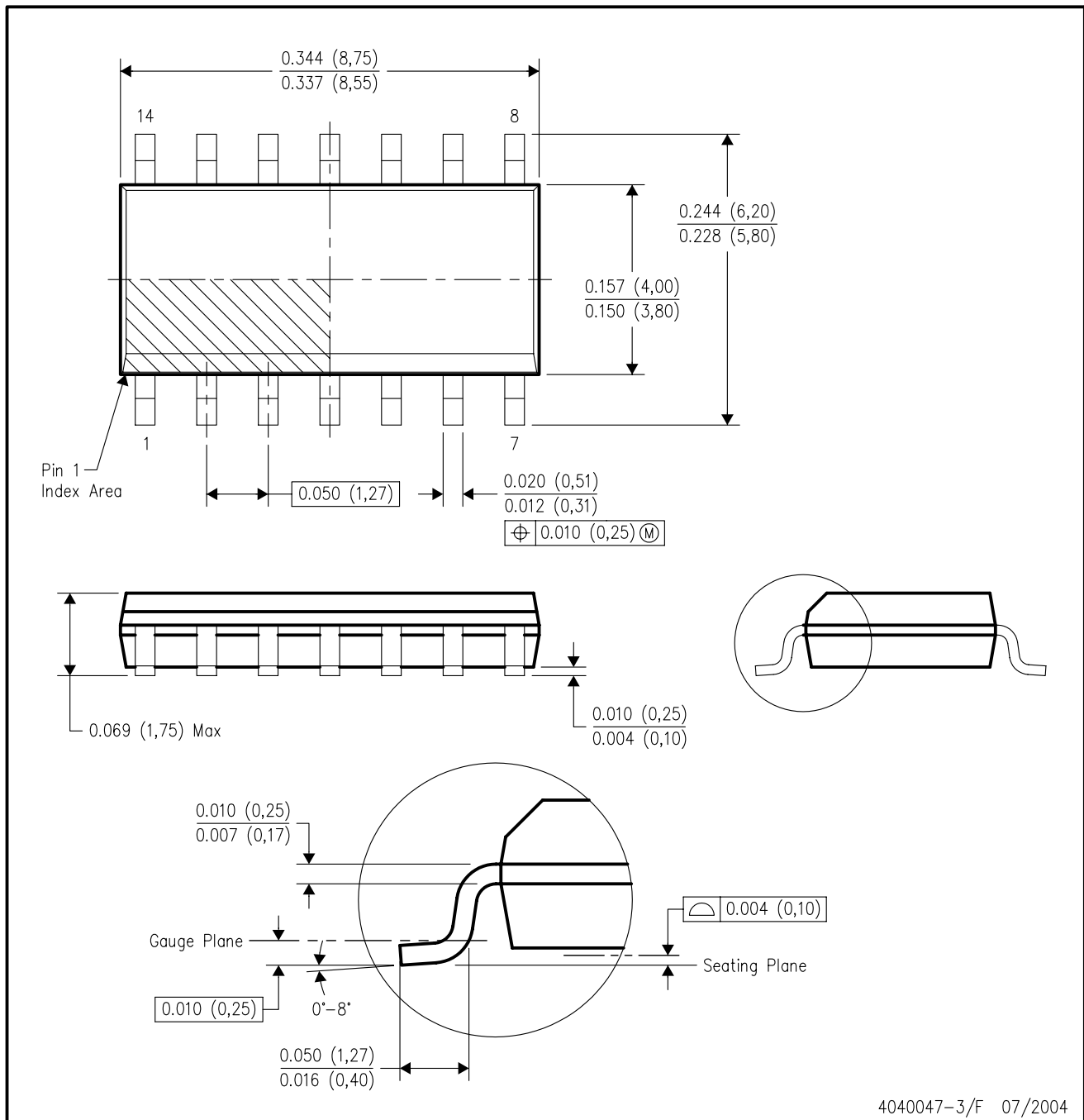
16 PINS SHOWN



- NOTES:
- A. All linear dimensions are in inches (millimeters).
 - B. This drawing is subject to change without notice.
 - Falls within JEDEC MS-001, except 18 and 20 pin minimum body length (Dim A).
 - The 20 pin end lead shoulder width is a vendor option, either half or full width.

D (R-PDSO-G14)

PLASTIC SMALL-OUTLINE PACKAGE



- NOTES:
- A. All linear dimensions are in inches (millimeters).
 - B. This drawing is subject to change without notice.
 - C. Body dimensions do not include mold flash or protrusion not to exceed 0.006 (0,15).
 - D. Falls within JEDEC MS-012 variation AB.

IMPORTANT NOTICE

Texas Instruments Incorporated and its subsidiaries (TI) reserve the right to make corrections, modifications, enhancements, improvements, and other changes to its products and services at any time and to discontinue any product or service without notice. Customers should obtain the latest relevant information before placing orders and should verify that such information is current and complete. All products are sold subject to TI's terms and conditions of sale supplied at the time of order acknowledgment.

TI warrants performance of its hardware products to the specifications applicable at the time of sale in accordance with TI's standard warranty. Testing and other quality control techniques are used to the extent TI deems necessary to support this warranty. Except where mandated by government requirements, testing of all parameters of each product is not necessarily performed.

TI assumes no liability for applications assistance or customer product design. Customers are responsible for their products and applications using TI components. To minimize the risks associated with customer products and applications, customers should provide adequate design and operating safeguards.

TI does not warrant or represent that any license, either express or implied, is granted under any TI patent right, copyright, mask work right, or other TI intellectual property right relating to any combination, machine, or process in which TI products or services are used. Information published by TI regarding third-party products or services does not constitute a license from TI to use such products or services or a warranty or endorsement thereof. Use of such information may require a license from a third party under the patents or other intellectual property of the third party, or a license from TI under the patents or other intellectual property of TI.

Reproduction of information in TI data books or data sheets is permissible only if reproduction is without alteration and is accompanied by all associated warranties, conditions, limitations, and notices. Reproduction of this information with alteration is an unfair and deceptive business practice. TI is not responsible or liable for such altered documentation.

Resale of TI products or services with statements different from or beyond the parameters stated by TI for that product or service voids all express and any implied warranties for the associated TI product or service and is an unfair and deceptive business practice. TI is not responsible or liable for any such statements.

Following are URLs where you can obtain information on other Texas Instruments products and application solutions:

Products		Applications	
Amplifiers	amplifier.ti.com	Audio	www.ti.com/audio
Data Converters	dataconverter.ti.com	Automotive	www.ti.com/automotive
DSP	dsp.ti.com	Broadband	www.ti.com/broadband
Interface	interface.ti.com	Digital Control	www.ti.com/digitalcontrol
Logic	logic.ti.com	Military	www.ti.com/military
Power Mgmt	power.ti.com	Optical Networking	www.ti.com/opticalnetwork
Microcontrollers	microcontroller.ti.com	Security	www.ti.com/security
		Telephony	www.ti.com/telephony
		Video & Imaging	www.ti.com/video
		Wireless	www.ti.com/wireless

Mailing Address: Texas Instruments
Post Office Box 655303 Dallas, Texas 75265