

## 1080p60 IMAGE SENSOR RECEIVER

Check for Samples: [SN65LVDS324](#)

### FEATURES

- Bridges the Interface Between Video Image Sensors and Processors
- Receives Aptina HiSPi™, Panasonic LVDS, or Sony LVDS Parallel; Outputs 1.8V CMOS with 10/12/14/16 Bits at 18.5MHz to 162MHz
- SubLVDS Inputs Support Up To 648Mbps
- Integrated 100Ω Differential Input Termination
- Test Image Generation Feature
- Compatible with TI OMAP™ and DaVinci™ Including DM385, DM8127, DM36x, and DMVA

- Low Power 1.8V CMOS Process
- Configurable Output Conventions
- Packaged in 4.5 x 7mm BGA

### APPLICATIONS

- IP Network Cameras
- Machine Vision
- Video Conferencing
- Gesture Recognition

### DESCRIPTION

The SN65LVDS324 is a SubLVDS deserializer that recovers words, detects sync codes, multiplies the input DDR clock by a ratio, and outputs parallel CMOS 1.8V data on the rising clock edge. It bridges the video stream interface between HD image sensors made by leading manufacturers, to a format that common processors can accept. The supported pixel frequency is 18.5MHz to 162MHz — suitable for resolutions from VGA to 1080p60.

Four high-level modes are supported: Aptina 1-Channel 4-Lane, Aptina 1-Channel 2-Lane, Panasonic 2-Channel 2-Port, and Sony LVDS Parallel. Each supports 10/12/14/16 bit sub-modes, according to Table 1. Each mode also has a configurable allowable frequency range, as specified by Table 3 register PLL\_CFG.

The SN65LVDS324 is configured through its I<sup>2</sup>C-programmable registers. This volatile memory must be written after power up. Configuration options include the MSB/LSB output order, sync polarity convention, data slew rate, and two output timing modes (long-setup or clock-centered), for wider compatibility with different processors and software. The TESTMODE\_VIDEO feature is designed to assist engineering development. The max allowable frame size is 8191 x 8191.

With integrated differential input termination, and a footprint of 4.5 x 7mm, the SN65LVDS324 provides a differentiated solution with optimized form, function, and cost. It operates through an ambient temperature range of –40°C to 85°C.

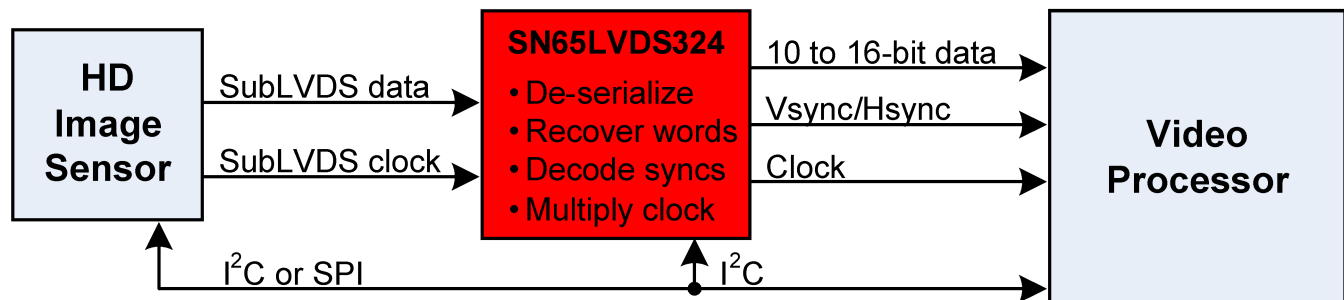


Figure 1. General System Diagram



Please be aware that an important notice concerning availability, standard warranty, and use in critical applications of Texas Instruments semiconductor products and disclaimers thereto appears at the end of this data sheet.

OMAP, DaVinci are trademarks of Texas Instruments.

HiSPi is a trademark of Aptina.



This integrated circuit can be damaged by ESD. Texas Instruments recommends that all integrated circuits be handled with appropriate precautions. Failure to observe proper handling and installation procedures can cause damage. ESD damage can range from subtle performance degradation to complete device failure. Precision integrated circuits may be more susceptible to damage because very small parametric changes could cause the device not to meet its published specifications.

**FUNCTIONAL DESCRIPTION**

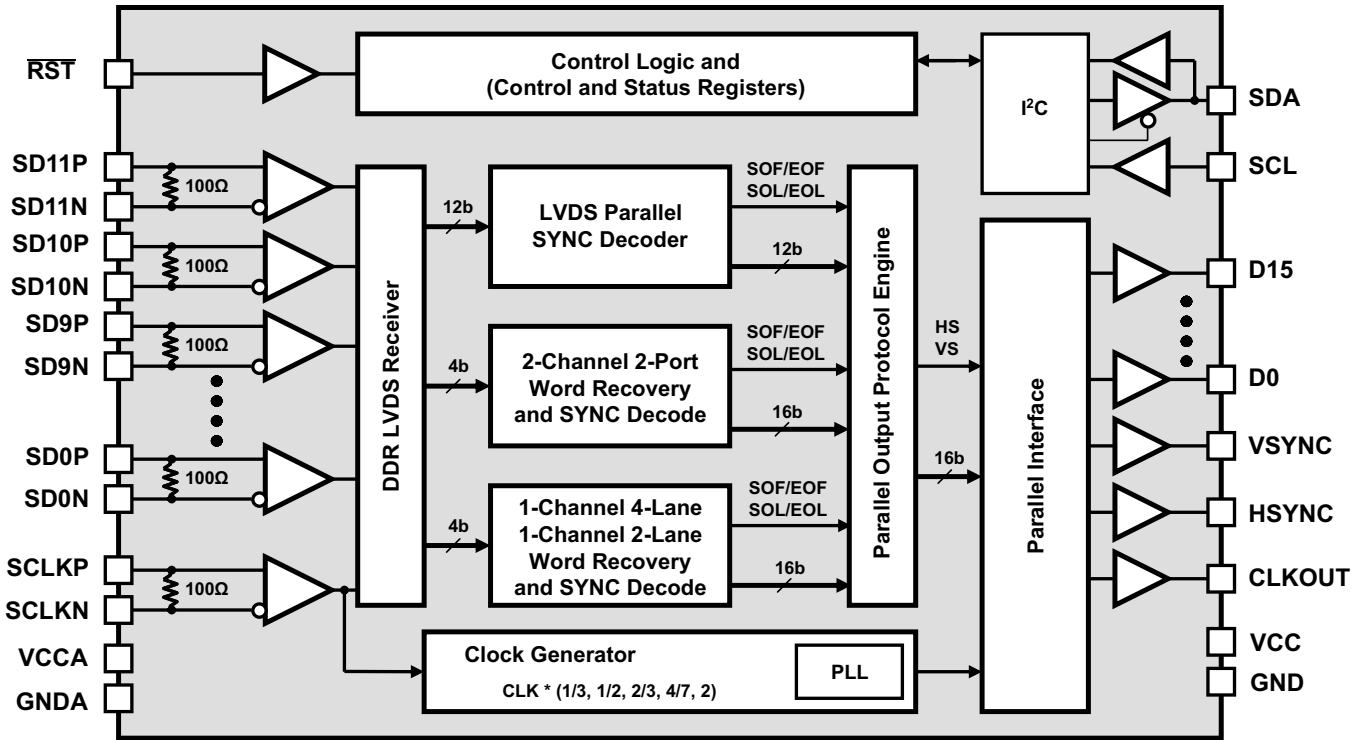


Figure 2. Functional Block Diagram

**Reset Implementation**

When  $\overline{RST}$  is Low, the PLL is disabled, the SubLVDS inputs are disabled, and all outputs drive either  $V_{OH}$  or  $V_{OL}$  with no toggling. It is critical to transition the  $\overline{RST}$  input from a low to high level after the  $V_{CC}$  supply has reached the minimum recommended operating voltage. This is achieved by an external capacitor connected between  $\overline{RST}$  and GND, and/or by a control signal to the  $\overline{RST}$  input. Both implementations are shown:

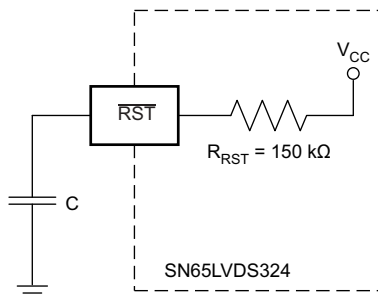


Figure 3. External Capacitor Controlled  $\overline{RST}$

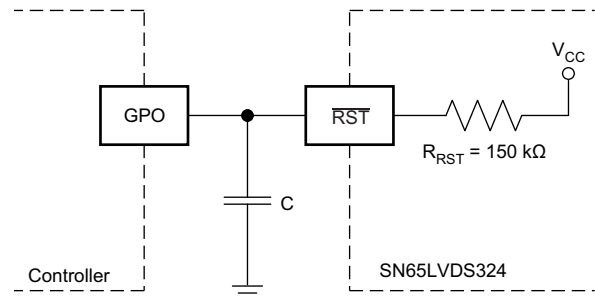


Figure 4.  $\overline{RST}$  Input from Active Controller

## Device Configurations

**Table 1. SN65LVDS324 Modes, Common Frequencies, and Signals Used<sup>(1)(2)</sup>**

SENSOR_CFG (CSR 09[2:0])	SubLVDS Interface Mode	Bits Per Pixel	Target Video	Target SCLK Frequency (MHz)	Target PLL_CFG (CSR 0A[1:0])	Target CLKOUT Frequency (MHz)	SCLK	SD [0:1]	SD2	SD [3:4]	SD [5:9]	SD [10:11]
000	Sony LVDS Parallel	10	1080p 60fps	74.25	10	148.5	Sensor Clock	GND	X[2]	X[3:4]	X[5:9]	X[10:11]
001		X[0:1]										
010	Panasonic 2-Channel 2-Port	12		222.75	10		Sensor Ch1 Clock	Ch1 X[0:1]	Sensor Ch2 Clock	Ch2 X[0:1]	GND	GND
011		16		297	11							
100	Aptina 1-Channel 4-Lane	12		222.75	10		Sensor Clock	X[0:1]	X[2]	X[3], GND	GND	GND
110		16		297	11							
101		14	129.9375	00								
111	Aptina 1-Channel 2-Lane	12	720p 60fps	222.75	10	74.25		GND	GND			

- (1) X[0:11] represent the connected sensor's LVDS data lanes.
- (2) GND represents a connection to the system reference ground.

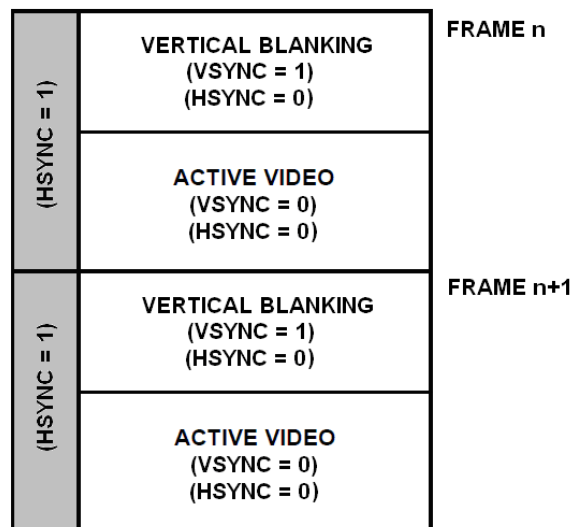
### Aptina Mode Specifics

Only the Streaming-SP HiSPi mode is supported. If "FLR" and "CRC" are in the data stream, the SN65LVDS324 will transmit them. "IDL" cannot match a sync code or be all-zero.

### VSYNC and HSYNC Output Timing

Figure 5 describes the horizontal and vertical blanking periods, and how they generally relate to the VSYNC and HSYNC outputs. The SN65LVDS324 asserts VSYNC (driven high) by default, and drives VSYNC high for at least one CLKOUT cycle at the beginning of each video frame. The SN65LVDS324 sensor interface logic determines the beginning of an active video frame by sensor-dependent methods.

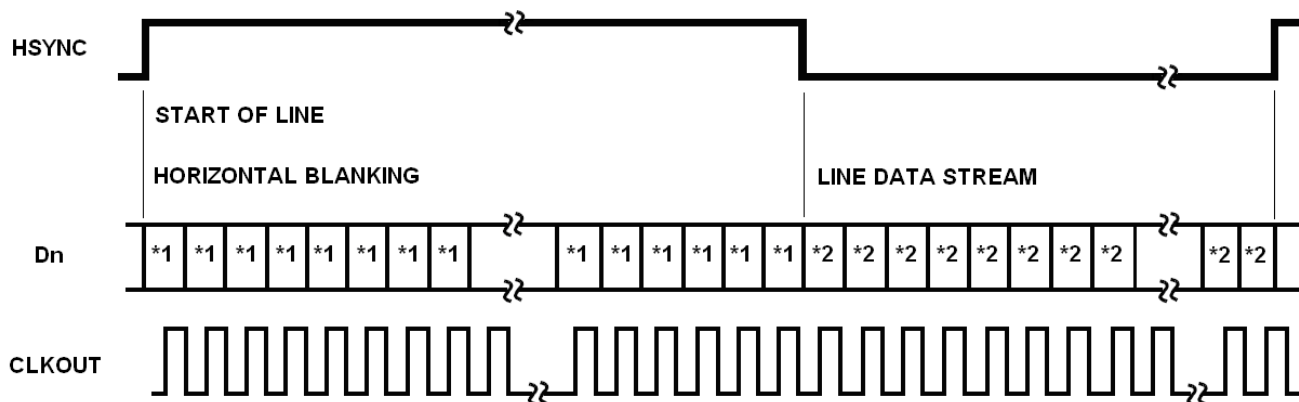
There may be certain VSYNC and HSYNC operating requirements in the video processing pipeline in the DSP, such as a required number of vertical blanking lines, requirements for horizontal sync during vertical blanking, or requirements for data patterns during blanking times, special requirements for still image capture, etc. Systems that utilize SN65LVDS324 are required to configure the sensor to meet the vertical blanking and horizontal blanking requirements set by DSP video processing pipeline; these limitations shall be met by the sensor and not by SN65LVDS324 logic.



**Figure 5. VSYNC and HSYNC Output Relation to Active Video Frames**

HSYNC is asserted (driven high) by default. HSYNC is driven low during the active video data stream transfer, as illustrated in Figure 6. HSYNC may be de-asserted (driven low) while VSYNC is asserted or de-asserted.

As shown in Figure 6, the HSYNC output is generally asserted following an EOL (End of Line) indication from the image sensor, and de-asserted (driven low) following a SOL (Start of Line) indication. Figure 6 further illustrates the data expected on the output interface during blanking periods.



\*1 Output Dn during horizontal blanking is FFF0h for an active video line and FFFFh during vertical blanking (i.e. VSYNC=1)  
 \*2 Output Dn is pixel data for an active video line and FFFFh during vertical blanking (i.e. VSYNC=1)

Figure 6. HSYNC Output Relation to Line Data Stream

**NOTE**

The SN65LVDS324 overrides the fixed patterns illustrated in Figure 6 (FFF0h and FFFFh as shown by notes \*1 and \*2) when line data is received from the sensor during blanking periods.

**Local I<sup>2</sup>C Interface Overview**

The SCL and SDA terminals are used for I<sup>2</sup>C clock and I<sup>2</sup>C data, respectively. The SN65LVDS324 I<sup>2</sup>C interface conforms to the two-wire serial interface defined by the I<sup>2</sup>C Bus Specification, Version 2.1 (January 2000), and supports standard mode transfers up to 400 kbps.

The device address byte is the first byte received following the START condition from the master device. The 7 bit device address for SN65LVDS324 is factory preset to 7'b0101101 (0x2D). Table 2 clarifies the SN65LVDS324 target address.

Table 2. SN65LVDS324 I<sup>2</sup>C Target Address Description

SN65LVDS324 I <sup>2</sup> C TARGET Address <sup>(1)</sup>							
Bit 7 (MSB)	Bit 6	Bit 5	Bit 4	Bit 3	Bit 2	Bit 1	Bit 0 (W/R)
0	1	0	1	1	0	1	0/1

(1) When ADDR=1, Address Cycle is 0x5A (Write) and 0x5B (Read)

The following procedure is followed to write to the SN65LVDS324 I<sup>2</sup>C registers:

1. The master initiates a write operation by generating a start condition (S), followed by the SN65LVDS324 7-bit address and a zero-value "W/R" bit to indicate a write cycle.
2. The SN65LVDS324 acknowledges the address cycle.
3. The master presents the sub-address (I<sup>2</sup>C register within SN65LVDS324) to be written, consisting of one byte of data, MSB-first.
4. The SN65LVDS324 acknowledges the sub-address cycle.
5. The master presents the first byte of data to be written to the I<sup>2</sup>C register.

6. The SN65LVDS324 acknowledges the byte transfer.
7. The master may continue presenting additional bytes of data to be written, with each byte transfer completing with an acknowledge from the SN65LVDS324.
8. The master terminates the write operation by generating a stop condition (P).

The following procedure is followed to read the SN65LVDS324 I<sup>2</sup>C registers:

1. The master initiates a read operation by generating a start condition (S), followed by the SN65LVDS324 7-bit address and a one-value "W/R" bit to indicate a read cycle.
2. The SN65LVDS324 acknowledges the address cycle.
3. The SN65LVDS324 transmit the contents of the memory registers MSB-first starting at the last address specified.
4. The SN65LVDS324 will wait for either an acknowledge (ACK) or a not-acknowledge (NACK) from the master after each byte transfer; the I<sup>2</sup>C master acknowledges reception of each data byte transfer.
5. If an ACK is received, the SN65LVDS324 transmits the next byte of data.
6. The master terminates the read operation by generating a stop condition (P).

### Control and Status Registers Overview

CSR's are accessible through the local I<sup>2</sup>C interface. Refer to [Table 3](#) for SN65LVDS324 CSR descriptions. Reads from reserved fields not described return zeros, and writes are ignored.

CSR's "SENSOR\_CFG" and "PLL\_CFG" must be set before the input clock (SCLK) is applied.

**Table 3. SN65LVDS324 CSR Bit Field Definitions**

ADDRESS	BIT(S)	DESCRIPTION	ACCESS (1)
0x00 – 0x07	7:0	DEVICE_ID Returns a string of ASCII characters "LVDS324" preceded by one space character. Addresses 0x00 - 0x07 = {0x20, 0x4C, 0x56, 0x44, 0x53, 0x33, 0x32, 0x34}	R
0x08	7:0	DEVICE_REV Device revision; returns 0x01	R
0x09	7	SOFT_RESET This bit automatically clears when set to '1' and returns zeros when read. When set, the device is reset to the default condition.	RW
	6	TESTMODE_VIDEO When enabled, the device outputs a known color pattern with SCLK applied. The pattern is 128 lines of red, 128 of green, and 128 of blue, repeated. CSR addresses 0B, 0C, 0D, and 0E set the active image area, while addresses 1F, 20, 21, and 22 set the entire frame including blanking. SENSOR_CFG and PLL_CFG control the bpp, PLL multiplier, and PLL range. The CLKOUT frequency directly scales the frame rate; for the default 2250x1100 frame, a CLKOUT frequency of 148.5MHz causes 60fps. 0 – Disabled (default) 1 – Enabled	RW
	5	LSB_FIRST_OUTPUT 0 – Output data is MSB first; D[15:0] output represents MSB at D0 1 – Output data is LSB first; D[15:0] output represents LSB at D0 (default)	RW
	4	SYNC_ACTIVE_HIGH 0 – VSYNC and HSYNC are output low during blanking periods 1 – VSYNC and HSYNC are output high during blanking periods (default)	RW
	3	CLK_CENTERED_TIMING 0 – Output timing accommodates long setup time receivers [e.g. DaVinci] (default) 1 – Outputs are clock-centered for relatively matched setup/hold receivers [e.g. OMAP]	RW
	2:0	SENSOR_CFG This field shall be written to configure the sensor interface per <a href="#">Table 1</a> . 000 – LVDS Parallel 10bpp mode (default)      100 – 1-Channel 4-Lane 12bpp mode 001 – LVDS Parallel 12bpp mode                    101 – 1-Channel 4-Lane 14bpp mode 010 – 2-Channel 2-Port 12bpp mode                110 – 1-Channel 4-Lane 16bpp mode 011 – 2-Channel 2-Port 16bpp mode                111 – 1-Channel 2-Lane 12bpp mode	RW

(1) R = Read Only; RW = Read/Write (only reads return undetermined values)

**Table 3. SN65LVDS324 CSR Bit Field Definitions (continued)**

ADDRESS	BIT(S)	DESCRIPTION	ACCESS (1)
0x0A	7	CLKOUT_PLL_LOCK 0 – Output pixel clock PLL not locked 1 – Output pixel clock PLL locked	R
	6	VCM_MODE 0 – Selects Low common mode voltage range 1 – Selects High common mode voltage range (default)	RW
	5:4	D_SLEW_RATE Controls the rise and fall time for D[15:0]. 00 – Slowest; sets to 50% of the baseline speed 01 – Slower; sets to 75% of the baseline speed 10 – Baseline (default) 11 – Fastest; sets to 150% of the baseline speed	RW
	1:0	PLL_CFG This field sets the allowable SCLK frequency range, based on the mode set by SENSOR_CFG. The register defaults to 10 (and 01 for the 14bpp mode).  <b>LVDS Parallel 10/12bpp</b> (PLL Multiplier = 2) 00 – SCLK = 18.5 to 33MHz, CLKOUT = 37 to 66MHz 01 – SCLK = 31 to 60MHz, CLKOUT = 62 to 120MHz 10 – SCLK = 58 to 81MHz, CLKOUT = 116 to 162MHz 11 – Reserved  <b>2-Channel 2-Port 12bpp and 1-Channel 4-Lane 12bpp</b> (PLL Multiplier = 2/3) 00 – SCLK = 55.5 to 99MHz, CLKOUT = 37 to 66MHz 01 – SCLK = 97 to 180MHz, CLKOUT = 64.7 to 120MHz 10 – SCLK = 178 to 243MHz, CLKOUT = 118.7 to 162MHz 11 – Reserved  <b>2-Channel 2-Port 16bpp and 1-Channel 4-Lane 16bpp</b> (PLL Multiplier = 1/2) 00 – SCLK = 74 to 120MHz, CLKOUT = 37 to 60MHz 01 – SCLK = 118 to 180MHz, CLKOUT = 59 to 90MHz 10 – SCLK = 178 to 222MHz, CLKOUT = 89 to 111MHz 11 – SCLK = 220 to 324MHz, CLKOUT = 110 to 162MHz  <b>1-Channel 4-Lane 14bpp</b> (PLL Multiplier = 4/7) 00 – SCLK = 120 to 220MHz, CLKOUT = 68.6 to 125.7MHz 01 – SCLK = 218 to 283.5MHz, CLKOUT = 124.6 to 162MHz 10 – Reserved 11 – Reserved  <b>1-Channel 2-Lane 12bpp</b> (PLL Multiplier = 1/3) 00 – SCLK = 55.5 to 99MHz, CLKOUT = 18.5 to 33MHz 01 – SCLK = 97 to 180MHz, CLKOUT = 32.3 to 60MHz 10 – SCLK = 178 to 297MHz, CLKOUT = 59.3 to 99MHz 11 – Reserved	RW

**Table 3. SN65LVDS324 CSR Bit Field Definitions (continued)**

ADDRESS	BIT(S)	DESCRIPTION	ACCESS (1)
0x0B	4:0	<b>FRAME_WIDTH_MSB</b> The width of the active area; this field is the high order byte. The default is 1920 (0x <b>0780</b> ), and this field's default is 0x07. The max width is 8191. When TESTMODE_VIDEO is disabled, this field is only used to set SENSOR_SPECIFIC registers that flag window size errors.	RW
0x0C	7:0	<b>FRAME_WIDTH_LSB</b> The width of the active area; this field is the low order byte. The default is 1920 (0x <b>0780</b> ), and this field's default is 0x80. The max width is 8191. When TESTMODE_VIDEO is disabled, this field is only used to set SENSOR_SPECIFIC registers that flag window size errors.	RW
0x0D	4:0	<b>FRAME_HEIGHT_MSB</b> The height of the active area; this field is the high order byte. The default is 1080 (0x <b>0438</b> ), and this field's default is 0x04. The max height is 8191. When TESTMODE_VIDEO is disabled, this field is only used to set SENSOR_SPECIFIC registers that flag window size errors. In LVDS Parallel modes, the height must include all lines between SAV-Valid and EAV-Valid.	RW
0x0E	7:0	<b>FRAME_HEIGHT_LSB</b> The height of the active area; this field is the low order byte. The default is 1080 (0x <b>0438</b> ), and this field's default is 0x38. The max height is 8191. When TESTMODE_VIDEO is disabled, this field is only used to set SENSOR_SPECIFIC registers that flag window size errors. In LVDS Parallel modes, the height must include all lines between SAV-Valid and EAV-Valid.	RW
0x0F – 0x1E	7:0	<b>SENSOR_SPECIFIC</b> These are sensor-specific status registers, and depend on SENSOR_CFG. They are further described by <a href="#">Table 4</a> through <a href="#">Table 6</a> .	RW
0x1F	4:0	<b>TESTMODE_WIDTH_MSB</b> Applies only when TESTMODE_VIDEO is enabled, and configurable up to 8191 pixels. This field controls the high order byte of the frame width including blanking; the default is 2250 (0x <b>08CA</b> ), and this field's default is 0x08. For 720p, a width of 1500 (0x <b>05DC</b> ) facilitates 60fps with 74.25MHz.	RW
0x20	7:0	<b>TESTMODE_WIDTH_LSB</b> Applies only when TESTMODE_VIDEO is enabled, and configurable up to 8191 pixels. This field controls the low order byte of the frame width including blanking; the default is 2250 (0x <b>08CA</b> ), and this field's default is 0xCA. For 720p, a width of 1500 (0x <b>05DC</b> ) facilitates 60fps with 74.25MHz.	RW
0x21	4:0	<b>TESTMODE_HEIGHT_MSB</b> Applies only when TESTMODE_VIDEO is enabled, and configurable up to 8191 pixels. This field controls the high order byte of the frame height including blanking; the default is 1100 (0x <b>044C</b> ), and this field's default is 0x04. For 720p, a height of 825 (0x <b>0339</b> ) facilitates 60fps with 74.25MHz.	RW
0x22	7:0	<b>TESTMODE_HEIGHT_LSB</b> Applies only when TESTMODE_VIDEO is enabled, and configurable up to 8191 pixels. This field controls the low order byte of the frame height including blanking; the default is 1100 (0x <b>044C</b> ), and this field's default is 0x4C. For 720p, a height of 825 (0x <b>0339</b> ) facilitates 60fps with 74.25MHz.	RW
0x23 – 0x30	7:0	<b>RESERVED</b> These registers are reserved for factory test. Do not write to them.	RW

**Table 4. Sensor-Specific Registers for Aptina Modes**

ADDRESS	BIT(S)	DESCRIPTION	ACCESS <sup>(1)</sup>
0x0F	6	FILLER_EN 0 – FLR codes are not used in data stream 1 – FLR codes are used in data stream (default)	RW
	5	CRC_EN 0 – CRC is not used in the data stream 1 – CRC is used in the data stream (default)	RW
0x10	7	CLEAR_STATUS When a '1' is written to this field, the status bits in 0x10 and 0x11 are cleared, and this bit is auto-cleared to a zero value (always returns zero when read)	W
	3	CRC_ERR_LANE3 0 – No checksum error detected (default) 1 – Checksum error detected Note: Bits in registers 0x10 and 0x11 are latched and cleared only when the CLEAR_STATUS field is written.	R
	2	CRC_ERR_LANE2; same bit function as CRC_ERR_LANE3 but applied to LANE 2.	R
	1	CRC_ERR_LANE1; same bit function as CRC_ERR_LANE3 but applied to LANE 1.	R
	0	CRC_ERR_LANE0; same bit function as CRC_ERR_LANE3 but applied to LANE 0.	R
0x11	5	UNKNOWN_SYNC_CODE 0 – No unexpected sync code (default) 1 – Sync code (final word of sync_code) does not match a defined type	R
	4	SOF_ERR 0 – No SOF error occurred (default) 1 – SOF was detected when it was unexpected	R
	3	SOL_ERR 0 – No SOL error occurred (default) 1 – SOL was detected when it was unexpected	R
	2	SOV_ERR 0 – No SOV error occurred (default) 1 – SOV was detected when it was unexpected	R

(1) R = Read Only; RW = Read/Write; W = Write Only (reads return undetermined values)

**Table 5. Sensor-Specific Registers for Panasonic Modes**

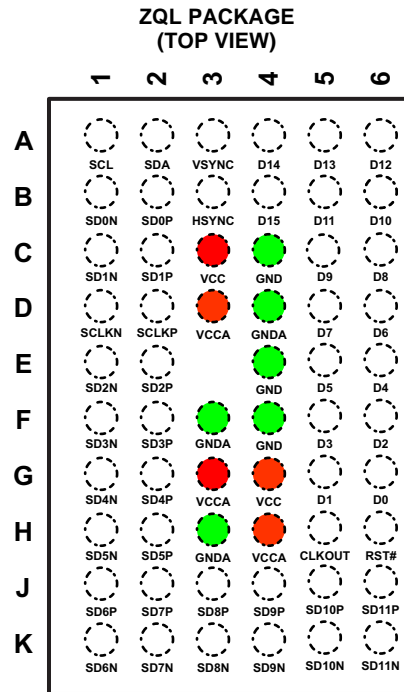
ADDRESS	BIT(S)	DESCRIPTION	ACCESS <sup>(1)</sup>
0x0F	7:0	Reserved.	R
0x10	7	<b>CLEAR_STATUS</b> When a '1' is written to this field, the status bits in 0x11 are cleared, and this bit is auto-cleared to a zero value (always returns zero when read)	W
0x11	7	<b>FRAME_SIZE_ERROR</b> 0 – Start up sequence has not identified a frame size error, decode window applied. 1 – Start up sequence identified a frame size error, decode window is not applied	R
	5	<b>UNKNOWN_SYNC_CODE</b> When set to '1', sync code (final word of sync_code) does not match a defined type	R
	4	<b>SOF_ERR</b> When set to '1', SOF was detected when it was unexpected per the decode window.	R
	3	<b>SOL_ERR</b> When set to '1', SOL was detected when it was unexpected per the decode window.	R
	1	<b>EOF_ERR</b> When set to '1', EOF was detected when it was unexpected per the decode window.	R
	0	<b>EOL_ERR</b> When set to '1', EOL was detected when it was unexpected per the decode window.	R

(1) R = Read Only; W = Write Only

**Table 6. Sensor-Specific Registers for Sony Modes**

ADDRESS	BIT(S)	DESCRIPTION	ACCESS <sup>(1)</sup>
0x0F	7:0	Reserved.	R
0x10	7	<b>CLEAR_STATUS</b> When a '1' is written to this field, the status bits in 0x11 are cleared, and this bit is auto-cleared to a zero value (always returns zero when read)	W
0x11	7	<b>FRAME_SIZE_ERROR</b> 0 – Start up sequence has not identified a frame size error, decode window applied. 1 – Start up sequence identified a frame size error, decode window is not applied	R
	5	<b>UNKNOWN_SYNC_CODE</b> When set to '1', sync code (final word of sync_code) does not match a defined type	R
	4	<b>SAV_VALID_ERR</b> When set to '1', SAV (Valid Line) was unexpectedly detected per the decode window.	R
	3	<b>SAV_INVALID_ERR</b> When set to '1', SAV (Invalid Line) was unexpectedly detected per the decode window.	R
	1	<b>EAV_VALID_ERR</b> When set to '1', EAV (Valid Line) was unexpectedly detected per the decode window.	R
	0	<b>EAV_INVALID_ERR</b> When set to '1', EAV (Invalid Line) was unexpectedly detected per the decode window.	R

(1) R = Read Only; W = Write Only (reads return undetermined values)



**PIN FUNCTIONS**

PIN		DESCRIPTION
SIGNAL	I/O	
SD[11:0]P/N	SubLVDS Input (Failsafe)	SubLVDS Input Data Lanes with 100Ω differential termination. In the 2-Channel 2-Port configurations, SD2P/N is used as Channel 2 clock. See Table 1 for sensor SubLVDS signal mapping per configuration.
SCLKP/N		SubLVDS Input Clock. In 2-Channel 2-Port mode, this input is the Channel 1 clock.
D[15:0]	CMOS Output	Parallel Output Pixel Data. Pixel data outputs beyond the pixel data width configuration are driven low.
CLKOUT		Parallel Output Clock.
HSYNC		Parallel Output Horizontal Sync.
VSYNC		Parallel Output Vertical Sync.
SCL	CMOS Input (Failsafe)	Local I <sup>2</sup> C Programming Interface Clock Signal.
RST		Logic Reset. Active when Low.
SDA	CMOS Input/Output (Failsafe)	Local I <sup>2</sup> C Programming Interface Data Signal.
GND	Power Supply	Reference Ground for Analog Circuits.
VCCA		1.8V Power Supply for Analog Circuits.
GND		Reference Ground for Digital Circuits.
VCC		1.8V Power Supply for Digital Circuits.

**ORDERING INFORMATION**

PART NUMBER	PART MARKING	PACKAGE / SHIPPING <sup>(1)</sup>
SN65LVDS324ZQLR	LVDS324	59-ball PBGA / Reel

(1) For the most current package and ordering information, see the TI web site at [www.ti.com](http://www.ti.com).

## ABSOLUTE MAXIMUM RATINGS

over operating free-air temperature range (unless otherwise noted)<sup>(1)</sup>

		VALUE	UNITS
Supply Voltage Range	$V_{CCA}, V_{CC}$	-0.3 to 2.175	V
Input Voltage Range	All Input Terminals	-0.5 to 2.175	V
Storage temperature	$T_S$	-65 to 150	°C
Electrostatic discharge	Human Body Model <sup>(2)</sup>	±4	kV
	Charged-device model <sup>(3)</sup>	±1.5	

- (1) Stresses beyond those listed under absolute maximum ratings may cause permanent damage to the device. These are stress ratings only and functional operation of the device at these or any conditions beyond those indicated under recommended operating conditions is not implied. Exposure to absolute-maximum-rated conditions for extended periods may affect device reliability.
- (2) Tested in accordance with JEDEC Standard 22, Test Method A114-B
- (3) Tested in accordance with JEDEC Standard 22, Test Method C101-A

## THERMAL CHARACTERISTICS

over operating free-air temperature range (unless otherwise noted)<sup>(1)</sup>

PARAMETER		TEST CONDITIONS	MIN	TYP	MAX	UNIT
$\theta_{JA}$	Junction-to-free-air thermal resistance	High-K JEDEC test board, 2s2p (double signal layer, double buried power plane), no air flow		73.9		°C/W
$\theta_{JCT}$	Junction-to-case-top thermal resistance	Cu cold plate measurement process		30.6		°C/W
$\theta_{JB}$	Junction-to-board thermal resistance	EIA/JESD 51-8		37.7		°C/W
$\psi_{JT}$	Junction-to-top of package	EIA/JESD 51-2		1.3		°C/W
$\psi_{JB}$	Junction-to-board	EIA/JESD 51-6		36.9		°C/W
$T_J$	Junction temperature				125	°C

- (1) For more information about traditional and new thermal metrics, see the *IC Package Thermal Metrics* application report, [SPRA953](#).

## RECOMMENDED OPERATING CONDITIONS

over operating free-air temperature range (unless otherwise noted)

			MIN	NOM	MAX	UNIT
$V_{CCA}$	Power supply; analog circuits		1.65	1.8	1.95	V
$V_{CC}$	Power supply; digital circuits		1.65	1.8	1.95	V
$V_{CCn(PP)}$	Power supply voltage noise	$f_{NOISE} < 1\text{MHz}$			100	mV
		$f_{NOISE} > 1\text{MHz}$			40	
$ V_{ID} $	Magnitude of differential input voltage; see <a href="#">Figure 7</a>		90		350	mV
$V_{CM}$	Input common mode voltage; see <a href="#">Figure 7</a>	CSR 0A[6] = 0	100		650	mV
		CSR 0A[6] = 1	550		1200	
$V_{CM}$	Peak to peak input common mode voltage variation; see <a href="#">Figure 8</a>				50	mV
$V_{IN\_DC}$	SubLVDS receiver input voltage range				1400	mV
$V_{ID\_OS}$	Differential input voltage overshoot/undershoot; see <a href="#">Figure 9</a>				20%	
$T_A$	Operating free-air temperature		-40		85	°C
$T_{CASE}$	Case temperature				101	°C
$f_{I2C}$	Local I <sup>2</sup> C interface operating frequency				400	kHz
$f_{CLK}$	SubLVDS input clock (SCLKP/N) frequency		18.5		324	MHz
$t_{SETUP}$	SubLVDS data setup time to SCLKP/N transition; see <a href="#">Figure 10</a>	LVDS Parallel modes	1500			ps
		All other modes	350			
$t_{HOLD}$	SubLVDS data hold time after SCLKP/N transition; see <a href="#">Figure 10</a>	LVDS Parallel modes	1500			ps
		All other modes	350			
$t_{DUTCLK}$	SubLVDS CLK input clock duty cycle		45%		55%	
$C_L$	Parallel output load capacitance <sup>(1)</sup>			5	6	pF

- (1) The SN65LVDS324 supports up to 10pF parallel output load capacitance under test conditions.

## DC ELECTRICAL CHARACTERISTICS

over operating free-air temperature range (unless otherwise noted)

PARAMETER		TEST CONDITIONS	MIN	TYP <sup>(1)</sup>	MAX	UNIT
V <sub>THL</sub>	Low-level differential input voltage threshold	V <sub>SD[11:0]P</sub> – V <sub>SD[11:0]N</sub> , V <sub>SCLKP</sub> – V <sub>SCLKN</sub>	–40			mV
V <sub>THH</sub>	High-level differential input voltage threshold				40	mV
V <sub>IL</sub>	Low-level control signal input voltage	SCL, SDA			0.3×V <sub>CC</sub>	V
V <sub>IH</sub>	High-level control signal input voltage	SCL, SDA			0.7×V <sub>CC</sub>	V
V <sub>OH</sub>	High-level output voltage	I <sub>OH</sub> = –2 mA	1.3			V
V <sub>OL</sub>	Low-level output voltage	I <sub>OL</sub> = 2 mA			0.4	V
I <sub>OS</sub>	Short circuit output current	Output V <sub>OH</sub> driving GND short	–35			mA
I <sub>LEAK</sub>	Failsafe input leakage current	V <sub>CC</sub> = 0; V <sub>CC(PIN)</sub> = 1.8 V			10	μA
I <sub>IH</sub>	High level input current	SDA, SCL			5	μA
I <sub>IL</sub>	Low level input current				5	μA
I <sub>CC</sub>	Active current <sup>(2) (3)</sup>	LVDS Parallel 1080p60		89	125	mA
		2-Channel 2-Port 1080p60		83	120	
		1-Channel 4-Lane 1080p60				
		1-Channel 2-Lane 720p60		74	100	
R <sub>DIFF</sub>	Differential termination resistance		80	100	125	Ω
R <sub>RST</sub>	Reset input resistance		120	150	180	kΩ
C <sub>IN</sub>	Input pin capacitance		1.5			pF

(1) All typical values are at V<sub>CC</sub> = 1.8V and T<sub>A</sub> = 25°C

(2) V<sub>CC</sub> = 1.95V; T<sub>A</sub> = 0°C; C<sub>L</sub> = 6pF; Worst case test pattern

(3) V<sub>CC</sub> = 1.8V; T<sub>A</sub> = 25°C; C<sub>L</sub> = 5pF; Typical power test pattern

## SWITCHING CHARACTERISTICS

over recommended operating conditions (unless otherwise noted)

PARAMETER		TEST CONDITIONS	MIN	TYP <sup>(1)</sup>	MAX	UNIT
F <sub>CLKOUT</sub>	CLKOUT frequency	C <sub>L</sub> = 6 pF	18.5		162	MHz
t <sub>del</sub>	Data valid to CLKOUT↑ (see Figure 11)	C <sub>L</sub> = 6 pF; CSR 09[3] = 1	1.5			ns
		C <sub>L</sub> = 6 pF; CSR 09[3] = 0	3.8			
t <sub>pd</sub>	CLKOUT↑ to data switching (see Figure 11)	C <sub>L</sub> = 6 pF; CSR 09[3] = 1	1.5			ns
		C <sub>L</sub> = 6 pF; CSR 09[3] = 0	0.2			
t <sub>en</sub>	Enable time, $\overline{\text{RST}}$ ↑ to output valid and CLKOUT meets electrical specifications	F <sub>CLKOUT</sub> = 148.5 MHz, See Figure 12			2	ms
t <sub>r</sub>	Rise transition time, output (20% to 80%)	C <sub>L</sub> = 6 pF, CSR 0A[5:4] = 10	450	750	1300	ps
t <sub>f</sub>	Fall transition time, output (80% to 20%)	C <sub>L</sub> = 6 pF, CSR 0A[5:4] = 10	450	750	1300	
t <sub>dc</sub>	CLKOUT duty cycle		45%		55%	
t <sub>j</sub>	CLKOUT residual jitter	Peak to peak			370	ps

(1) All typical values are at V<sub>CC</sub> = 1.8V and T<sub>A</sub> = 25°C.

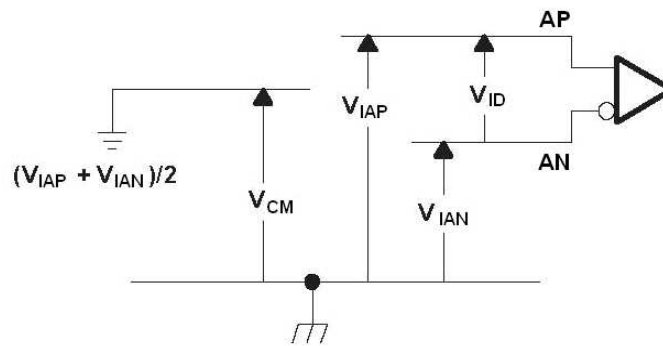


Figure 7. SubLVDS Input Voltage Definitions

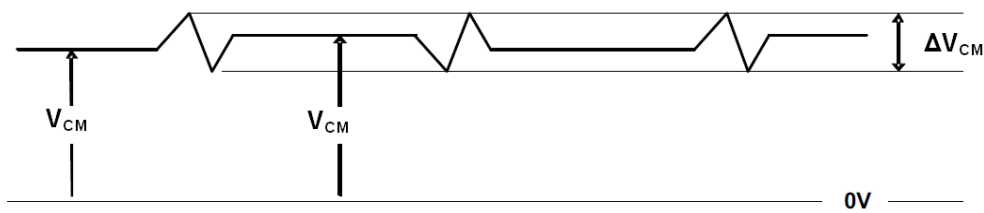


Figure 8. SubLVDS Delta Common Mode Input Voltage Definition

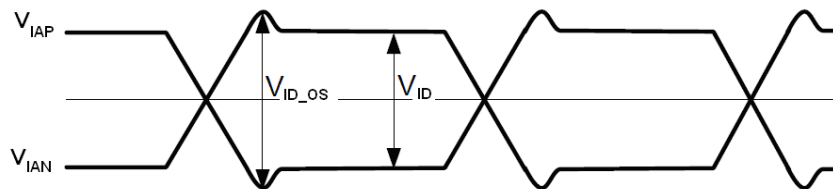


Figure 9.  $V_{ID}$  Overshoot Definition

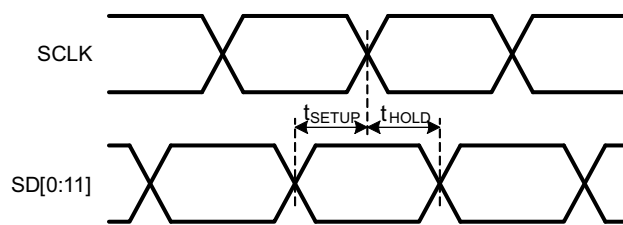


Figure 10. SubLVDS Timing Definitions

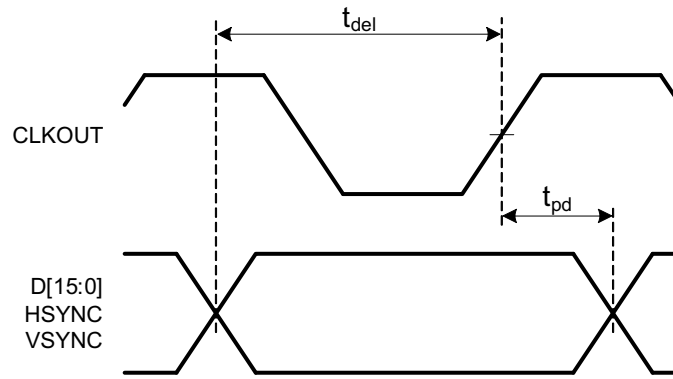


Figure 11. CMOS Output Timing Waveforms

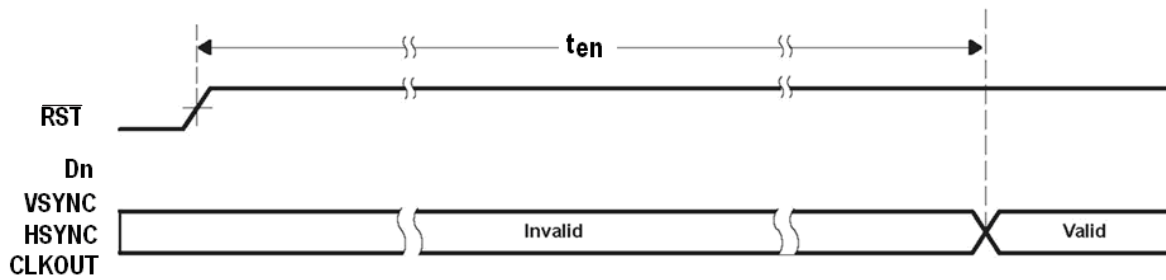


Figure 12. Device Enable Waveforms

## TYPICAL APPLICATIONS

The SN65LVDS324 offers several operating modes, as described in this section. The typical mode of 1080p60 involves a 148.5MHz output clock.

The parallel output video interface provides up to 16-bits of data per pixel, a vertical synchronization signal (VSYNC), and a horizontal synchronization signal (HSYNC) that are all synchronous to the output clock, CLKOUT. VSYNC and HSYNC are by default logically active high, and output a high logic level during blanking periods.

The following application diagrams illustrate each high-level typical configuration given in Table 1.

### Sony LVDS Parallel 10-Bit Mode

Figure 13 illustrates the LVDS Parallel 10-bit mode for 1080p60 operation.

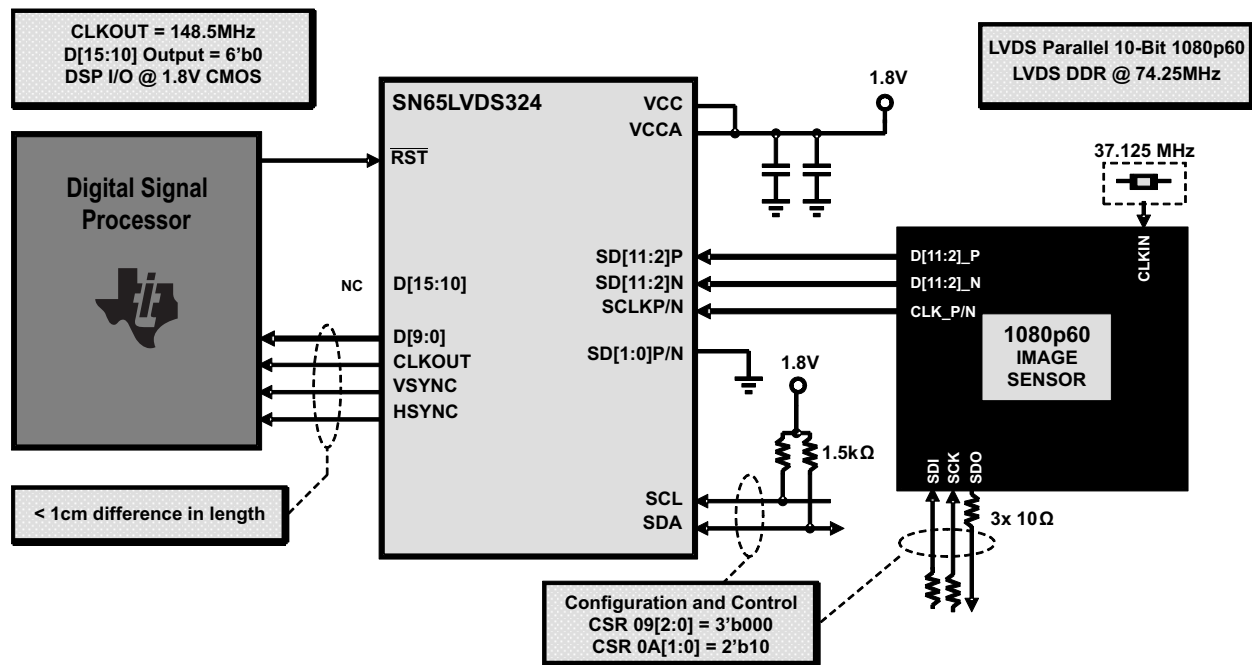


Figure 13. LVDS Parallel 10bpp Application

In this configuration, the image sensor transmits 10-bit video with a DDR reference clock operating at 74.25MHz. The SN65LVDS324 provides a 2x PLL to convert the 74.25MHz SubLVDS input to a 148.5MHz pixel clock output (CLKOUT) for the 10-bit output interface.

An SPI-like serial bus is used to configure and control the sensor in this typical application example. The DSP shall properly configure the sensor to the particular target application, which may involve setting the electrical interface and optical gain settings.

The SN65LVDS324 identifies sync codes from the data stream to identify vertical and horizontal sync conditions, and sets the outputs HSYNC and VSYNC appropriately.

TYPICAL APPLICATIONS (continued)

Sony LVDS Parallel 12-Bit Mode

Figure 14 illustrates the 12-bit LVDS Parallel mode for 1080p60 operation. This mode operates identically to the LVDS Parallel 10-bit mode other than the data width and sync codes.

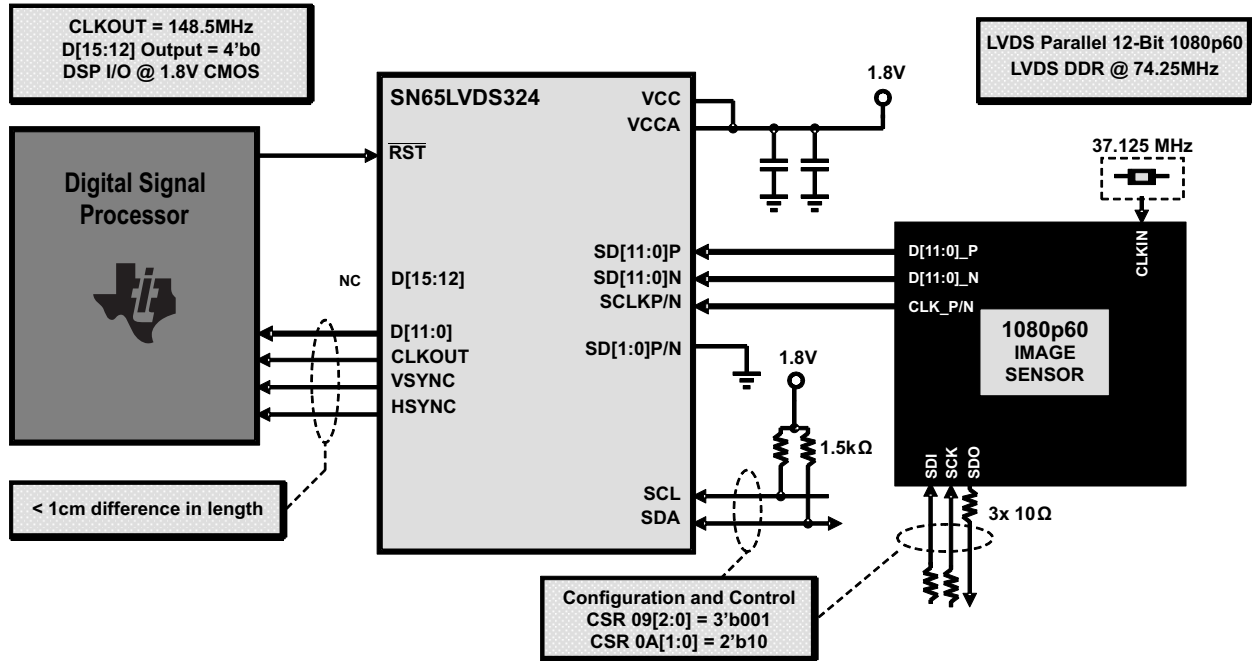


Figure 14. LVDS Parallel 12bpp Application

Panasonic 2-Channel 2-Port 12-Bit Mode

Figure 15 illustrates the 1080p60 2-Channel 2-Port 12-bit operating mode.

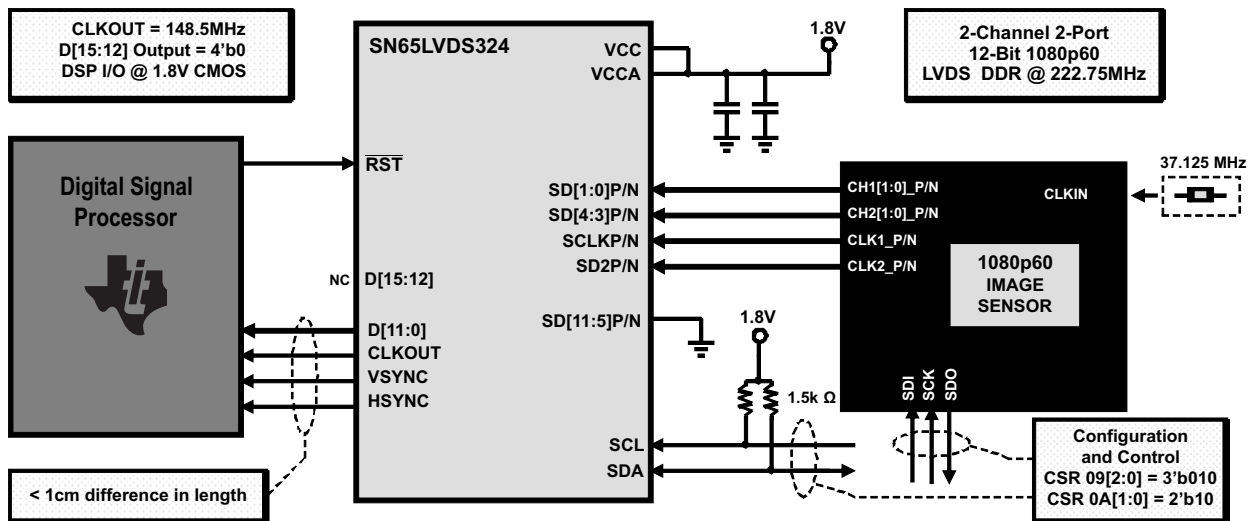


Figure 15. 2-Channel 2-Port 12bpp Application

The channel 2 clock is **not** guaranteed to be synchronous with channel 1; the SN65LVDS324 Word Alignment function provides the data synchronization between channel 1 and channel 2. If the sensor output is dual-frame WDR, the SN65LVDS324 transmits the data for both frames.

TYPICAL APPLICATIONS (continued)

Panasonic 2-Channel 2-Port 16-bit Mode

Figure 16 illustrates the 16-bit color 1080p60 2-Channel 2-Port operating mode.

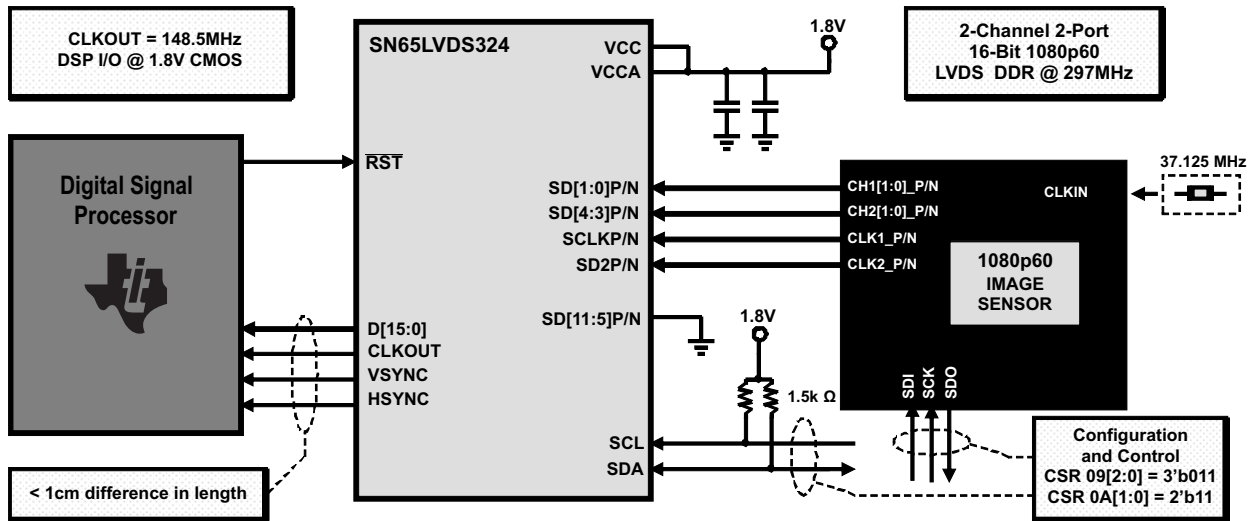


Figure 16. 2-Channel 2-Port 16bpp Application

Apptina 1-Channel 4-Lane 12-bit Mode

Figure 17 illustrates the 1080p60 1-Channel 4-Lane 12-bit per pixel operating mode with an image sensor pixel clock frequency is 148.5MHz (222.75MHz SubLVDS clock frequency). In this configuration, the SN65LVDS324 outputs the parallel pixel clock (CLKOUT) at 148.5MHz by implementing a PLL operating with a 2/3 multiplier from the SubLVDS clock input (SCLKP/N).

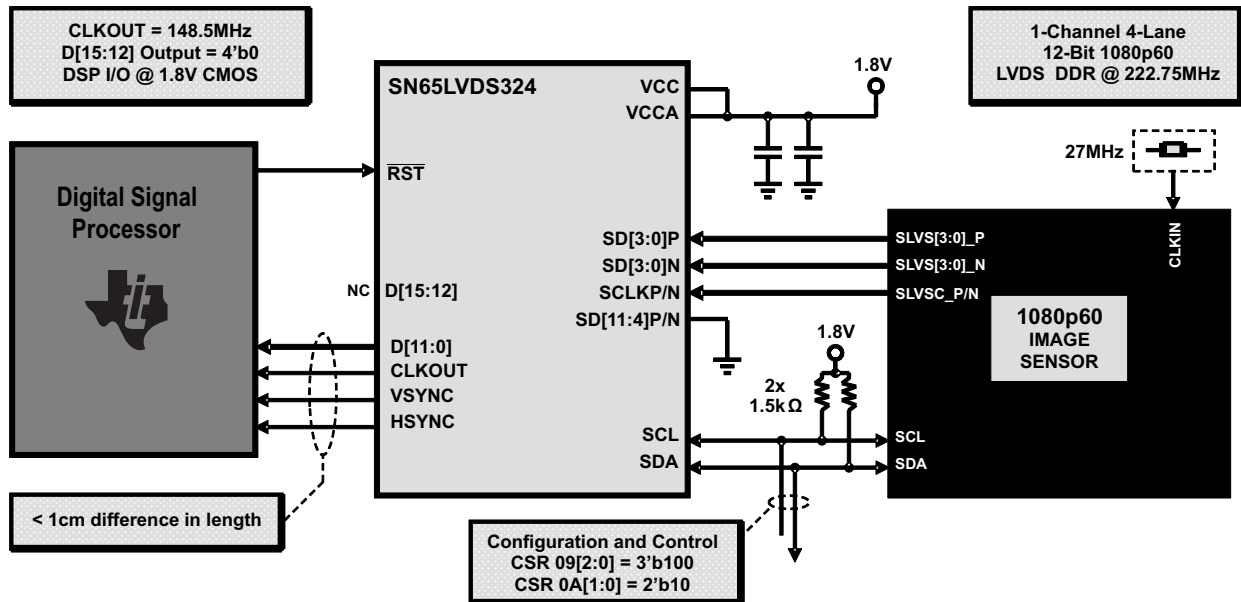


Figure 17. 1-Channel 4-Lane 12bpp Application

TYPICAL APPLICATIONS (continued)

Aptina 1-Channel 4-Lane 14-bit Mode

Figure 18 illustrates the 1080p60 1-Channel 4-Lane 14-bit per pixel operating mode. Some image sensors utilize a compression method in 14-bit mode that communicates compressed data in 14 bits per pixel that can be expanded to 16 or 20 bits per pixel by the DSP video processing pipeline.

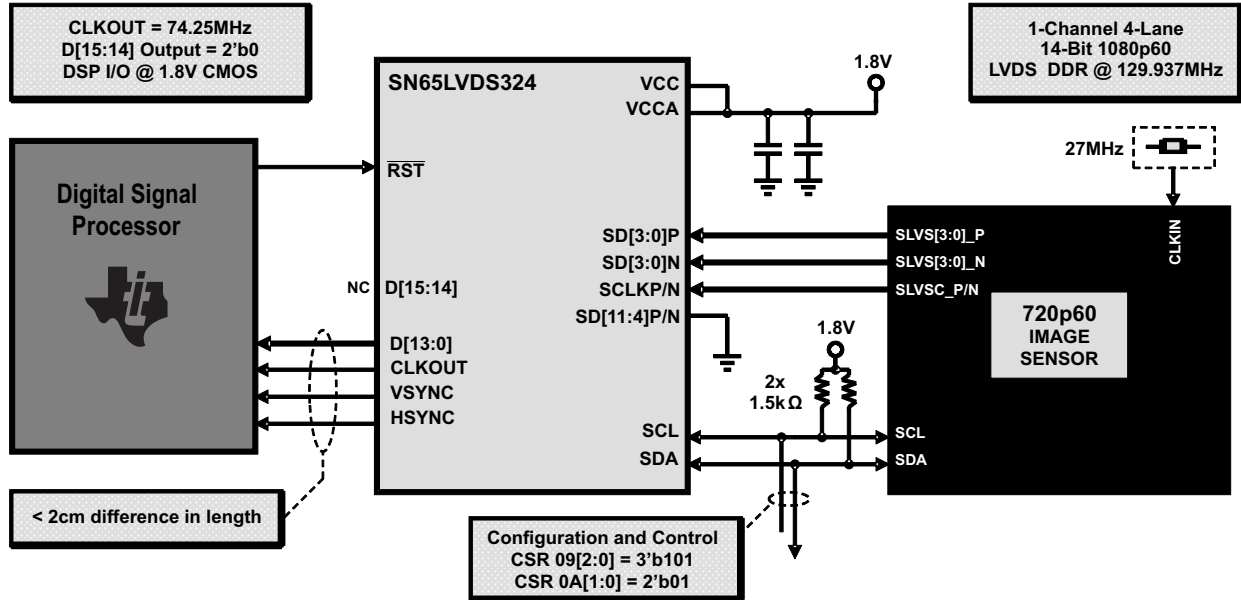


Figure 18. 1-Channel 4-Lane 14bpp Application

Aptina 1-Channel 4-Lane 16-bit Mode

Figure 19 illustrates the 1080p60 1-Channel 4-Lane 16-bit per pixel operating mode.

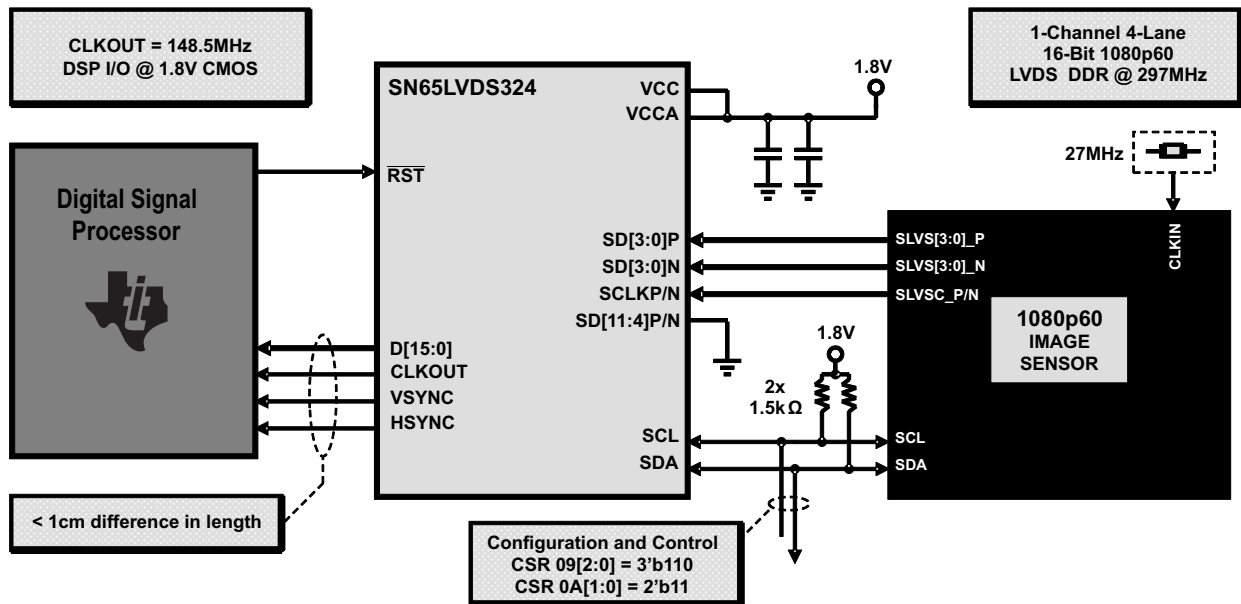


Figure 19. 1-Channel 4-Lane 16bpp Application

TYPICAL APPLICATIONS (continued)

Aptina 1-Channel 2-Lane 12-bit Mode

Figure 20 illustrates the 720p60 1-Channel 2-Lane 12-bit per pixel operating mode.

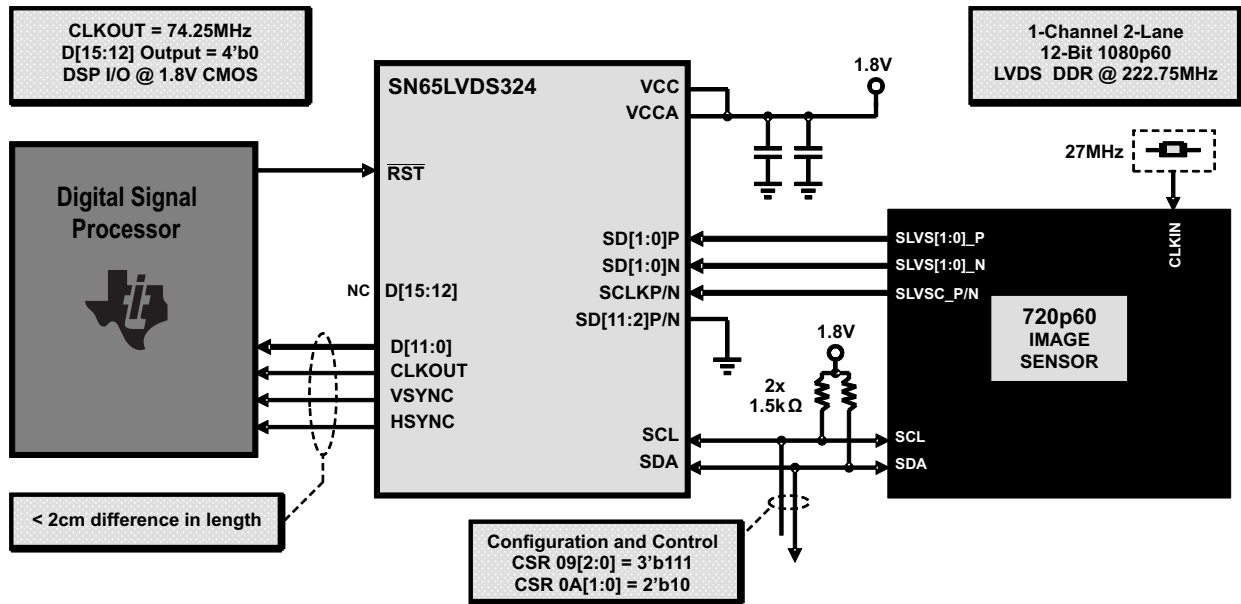


Figure 20. 1-Channel 2-Lane 12bpp Application

Decoupling Recommendations

To minimize the power supply noise floor, provide good decoupling near the SN65LVDS324 power pins. The use of four ceramic capacitors (2x 0.01  $\mu$ F and 2x 0.1  $\mu$ F) provides good performance. At the very least, it is recommended to install one 0.1  $\mu$ F and one 0.01  $\mu$ F capacitor near the SN65LVDS324. To avoid large current loops and trace inductance, the trace length between decoupling capacitors and device power inputs pins must be minimized. Placing the capacitor underneath the SN65LVDS324 on the bottom of the PCB is often a good choice.

**PACKAGING INFORMATION**

Orderable Device	Status (1)	Package Type	Package Drawing	Pins	Package Qty	Eco Plan (2)	Lead/Ball Finish	MSL Peak Temp (3)	Op Temp (°C)	Top-Side Markings (4)	Samples
SN65LVDS324ZQLR	ACTIVE	BGA MICROSTAR JUNIOR	ZQL	59	1000	Green (RoHS & no Sb/Br)	Call TI	Level-3-260C-168 HR	-40 to 85	LVDS324	Samples

(1) The marketing status values are defined as follows:

**ACTIVE:** Product device recommended for new designs.

**LIFEBUY:** TI has announced that the device will be discontinued, and a lifetime-buy period is in effect.

**NRND:** Not recommended for new designs. Device is in production to support existing customers, but TI does not recommend using this part in a new design.

**PREVIEW:** Device has been announced but is not in production. Samples may or may not be available.

**OBSOLETE:** TI has discontinued the production of the device.

(2) Eco Plan - The planned eco-friendly classification: Pb-Free (RoHS), Pb-Free (RoHS Exempt), or Green (RoHS & no Sb/Br) - please check <http://www.ti.com/productcontent> for the latest availability information and additional product content details.

**TBD:** The Pb-Free/Green conversion plan has not been defined.

**Pb-Free (RoHS):** TI's terms "Lead-Free" or "Pb-Free" mean semiconductor products that are compatible with the current RoHS requirements for all 6 substances, including the requirement that lead not exceed 0.1% by weight in homogeneous materials. Where designed to be soldered at high temperatures, TI Pb-Free products are suitable for use in specified lead-free processes.

**Pb-Free (RoHS Exempt):** This component has a RoHS exemption for either 1) lead-based flip-chip solder bumps used between the die and package, or 2) lead-based die adhesive used between the die and leadframe. The component is otherwise considered Pb-Free (RoHS compatible) as defined above.

**Green (RoHS & no Sb/Br):** TI defines "Green" to mean Pb-Free (RoHS compatible), and free of Bromine (Br) and Antimony (Sb) based flame retardants (Br or Sb do not exceed 0.1% by weight in homogeneous material)

(3) MSL, Peak Temp. -- The Moisture Sensitivity Level rating according to the JEDEC industry standard classifications, and peak solder temperature.

(4) Multiple Top-Side Markings will be inside parentheses. Only one Top-Side Marking contained in parentheses and separated by a "~" will appear on a device. If a line is indented then it is a continuation of the previous line and the two combined represent the entire Top-Side Marking for that device.

**Important Information and Disclaimer:** The information provided on this page represents TI's knowledge and belief as of the date that it is provided. TI bases its knowledge and belief on information provided by third parties, and makes no representation or warranty as to the accuracy of such information. Efforts are underway to better integrate information from third parties. TI has taken and continues to take reasonable steps to provide representative and accurate information but may not have conducted destructive testing or chemical analysis on incoming materials and chemicals. TI and TI suppliers consider certain information to be proprietary, and thus CAS numbers and other limited information may not be available for release.

In no event shall TI's liability arising out of such information exceed the total purchase price of the TI part(s) at issue in this document sold by TI to Customer on an annual basis.

**TAPE AND REEL INFORMATION**

**QUADRANT ASSIGNMENTS FOR PIN 1 ORIENTATION IN TAPE**


\*All dimensions are nominal

Device	Package Type	Package Drawing	Pins	SPQ	Reel Diameter (mm)	Reel Width W1 (mm)	A0 (mm)	B0 (mm)	K0 (mm)	P1 (mm)	W (mm)	Pin1 Quadrant
SN65LVDS324ZQLR	BGA MICROSTAR JUNIOR	ZQL	59	1000	330.0	16.4	4.8	7.3	1.5	8.0	16.0	Q1

**TAPE AND REEL BOX DIMENSIONS**

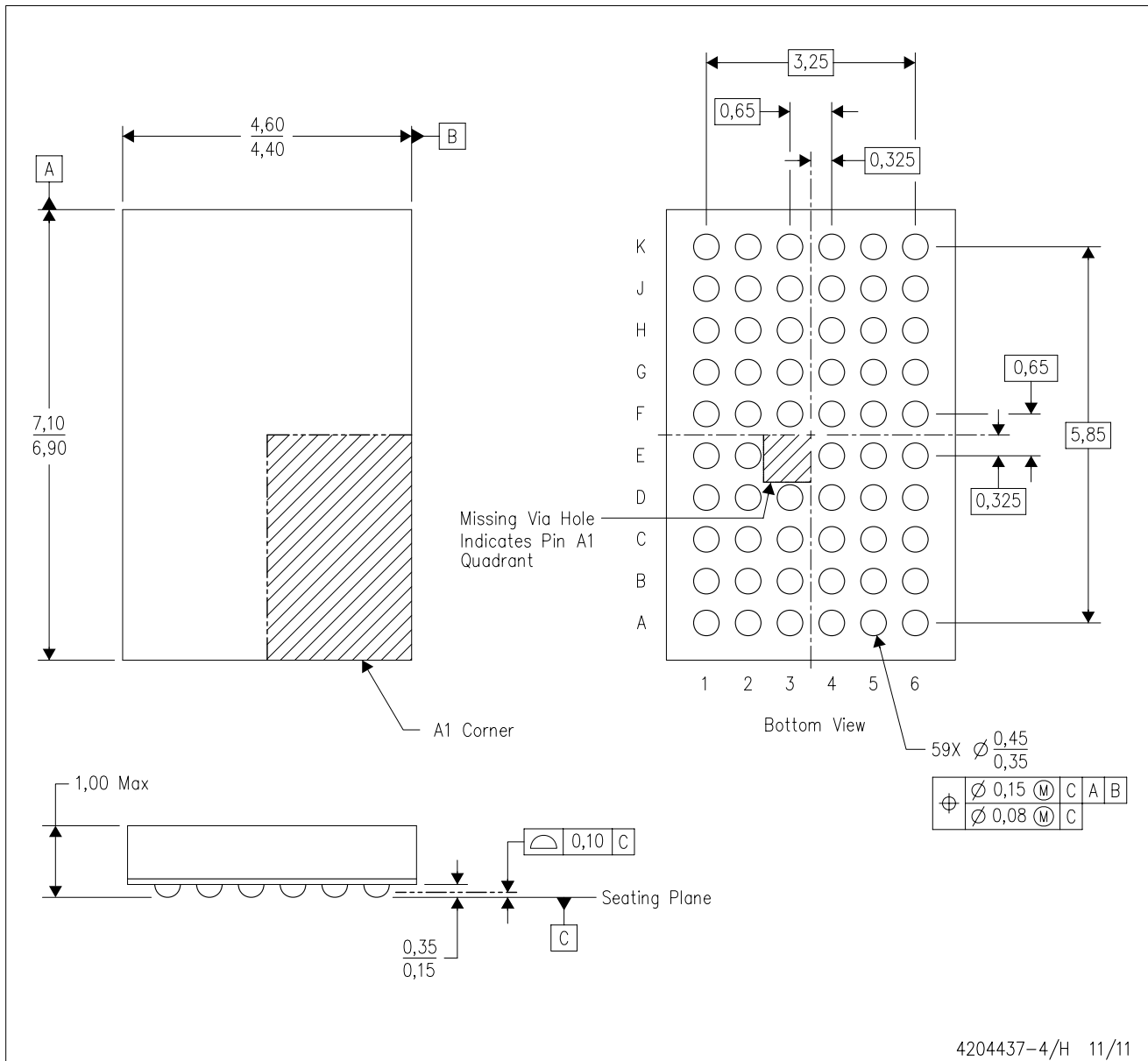


\*All dimensions are nominal

Device	Package Type	Package Drawing	Pins	SPQ	Length (mm)	Width (mm)	Height (mm)
SN65LVDS324ZQLR	BGA MICROSTAR JUNIOR	ZQL	59	1000	336.6	336.6	31.8

ZQL (R-PBGA-N59)

PLASTIC BALL GRID ARRAY



- NOTES:
- A. All linear dimensions are in millimeters. Dimensioning and tolerancing per ASME Y14.5M-1994.
  - B. This drawing is subject to change without notice.
  - C. Falls within JEDEC MO-285 variation BA-2.
  - D. This package is Pb-free.

## IMPORTANT NOTICE

Texas Instruments Incorporated and its subsidiaries (TI) reserve the right to make corrections, enhancements, improvements and other changes to its semiconductor products and services per JESD46, latest issue, and to discontinue any product or service per JESD48, latest issue. Buyers should obtain the latest relevant information before placing orders and should verify that such information is current and complete. All semiconductor products (also referred to herein as "components") are sold subject to TI's terms and conditions of sale supplied at the time of order acknowledgment.

TI warrants performance of its components to the specifications applicable at the time of sale, in accordance with the warranty in TI's terms and conditions of sale of semiconductor products. Testing and other quality control techniques are used to the extent TI deems necessary to support this warranty. Except where mandated by applicable law, testing of all parameters of each component is not necessarily performed.

TI assumes no liability for applications assistance or the design of Buyers' products. Buyers are responsible for their products and applications using TI components. To minimize the risks associated with Buyers' products and applications, Buyers should provide adequate design and operating safeguards.

TI does not warrant or represent that any license, either express or implied, is granted under any patent right, copyright, mask work right, or other intellectual property right relating to any combination, machine, or process in which TI components or services are used. Information published by TI regarding third-party products or services does not constitute a license to use such products or services or a warranty or endorsement thereof. Use of such information may require a license from a third party under the patents or other intellectual property of the third party, or a license from TI under the patents or other intellectual property of TI.

Reproduction of significant portions of TI information in TI data books or data sheets is permissible only if reproduction is without alteration and is accompanied by all associated warranties, conditions, limitations, and notices. TI is not responsible or liable for such altered documentation. Information of third parties may be subject to additional restrictions.

Resale of TI components or services with statements different from or beyond the parameters stated by TI for that component or service voids all express and any implied warranties for the associated TI component or service and is an unfair and deceptive business practice. TI is not responsible or liable for any such statements.

Buyer acknowledges and agrees that it is solely responsible for compliance with all legal, regulatory and safety-related requirements concerning its products, and any use of TI components in its applications, notwithstanding any applications-related information or support that may be provided by TI. Buyer represents and agrees that it has all the necessary expertise to create and implement safeguards which anticipate dangerous consequences of failures, monitor failures and their consequences, lessen the likelihood of failures that might cause harm and take appropriate remedial actions. Buyer will fully indemnify TI and its representatives against any damages arising out of the use of any TI components in safety-critical applications.

In some cases, TI components may be promoted specifically to facilitate safety-related applications. With such components, TI's goal is to help enable customers to design and create their own end-product solutions that meet applicable functional safety standards and requirements. Nonetheless, such components are subject to these terms.

No TI components are authorized for use in FDA Class III (or similar life-critical medical equipment) unless authorized officers of the parties have executed a special agreement specifically governing such use.

Only those TI components which TI has specifically designated as military grade or "enhanced plastic" are designed and intended for use in military/aerospace applications or environments. Buyer acknowledges and agrees that any military or aerospace use of TI components which have **not** been so designated is solely at the Buyer's risk, and that Buyer is solely responsible for compliance with all legal and regulatory requirements in connection with such use.

TI has specifically designated certain components as meeting ISO/TS16949 requirements, mainly for automotive use. In any case of use of non-designated products, TI will not be responsible for any failure to meet ISO/TS16949.

### Products

Audio	<a href="http://www.ti.com/audio">www.ti.com/audio</a>
Amplifiers	<a href="http://amplifier.ti.com">amplifier.ti.com</a>
Data Converters	<a href="http://dataconverter.ti.com">dataconverter.ti.com</a>
DLP® Products	<a href="http://www.dlp.com">www.dlp.com</a>
DSP	<a href="http://dsp.ti.com">dsp.ti.com</a>
Clocks and Timers	<a href="http://www.ti.com/clocks">www.ti.com/clocks</a>
Interface	<a href="http://interface.ti.com">interface.ti.com</a>
Logic	<a href="http://logic.ti.com">logic.ti.com</a>
Power Mgmt	<a href="http://power.ti.com">power.ti.com</a>
Microcontrollers	<a href="http://microcontroller.ti.com">microcontroller.ti.com</a>
RFID	<a href="http://www.ti-rfid.com">www.ti-rfid.com</a>
OMAP Applications Processors	<a href="http://www.ti.com/omap">www.ti.com/omap</a>
Wireless Connectivity	<a href="http://www.ti.com/wirelessconnectivity">www.ti.com/wirelessconnectivity</a>

### Applications

Automotive and Transportation	<a href="http://www.ti.com/automotive">www.ti.com/automotive</a>
Communications and Telecom	<a href="http://www.ti.com/communications">www.ti.com/communications</a>
Computers and Peripherals	<a href="http://www.ti.com/computers">www.ti.com/computers</a>
Consumer Electronics	<a href="http://www.ti.com/consumer-apps">www.ti.com/consumer-apps</a>
Energy and Lighting	<a href="http://www.ti.com/energy">www.ti.com/energy</a>
Industrial	<a href="http://www.ti.com/industrial">www.ti.com/industrial</a>
Medical	<a href="http://www.ti.com/medical">www.ti.com/medical</a>
Security	<a href="http://www.ti.com/security">www.ti.com/security</a>
Space, Avionics and Defense	<a href="http://www.ti.com/space-avionics-defense">www.ti.com/space-avionics-defense</a>
Video and Imaging	<a href="http://www.ti.com/video">www.ti.com/video</a>

### TI E2E Community

[e2e.ti.com](http://e2e.ti.com)